

Integrated Professional Cleaning



IPC Foma



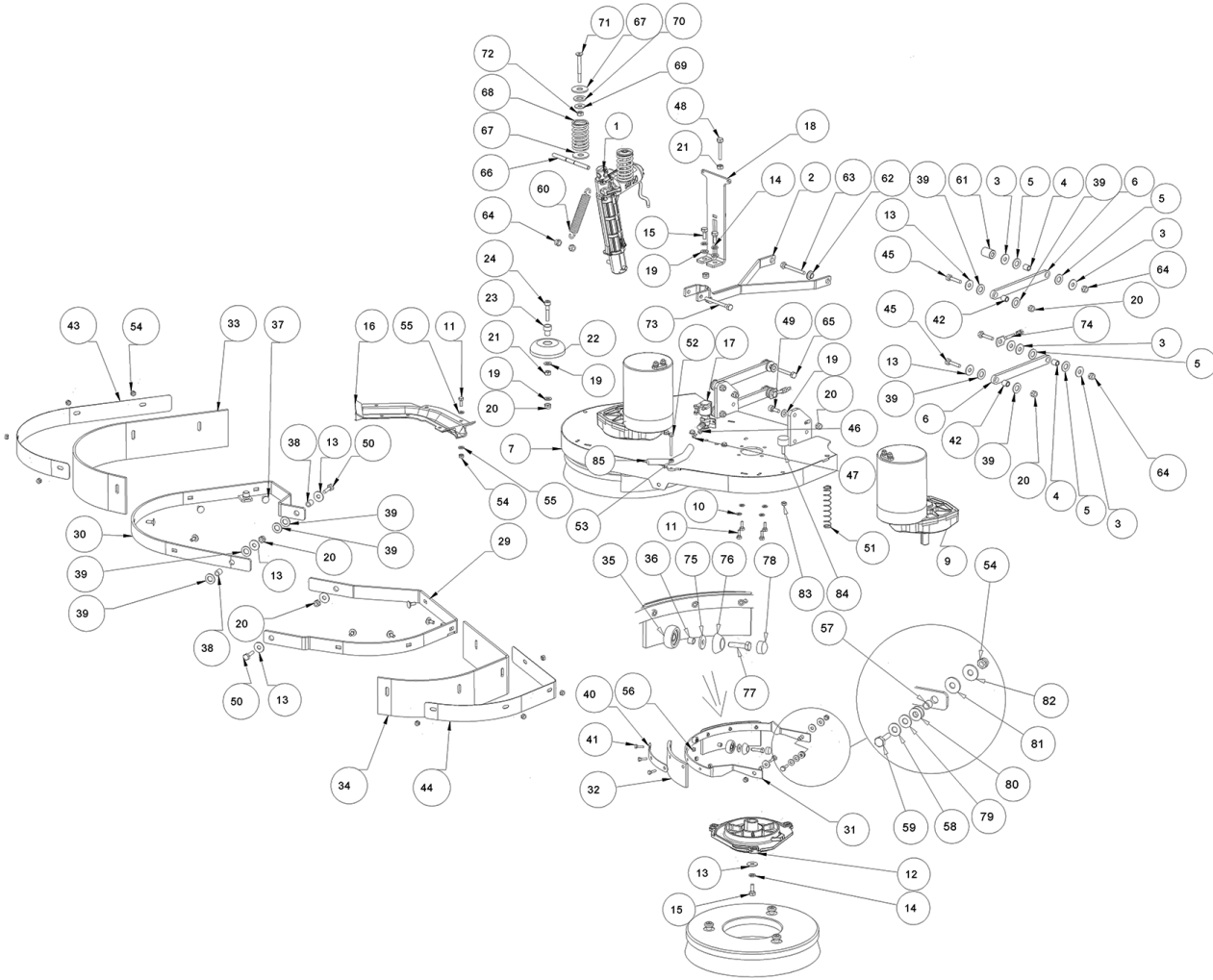
IPC Sverige

Spare Parts List

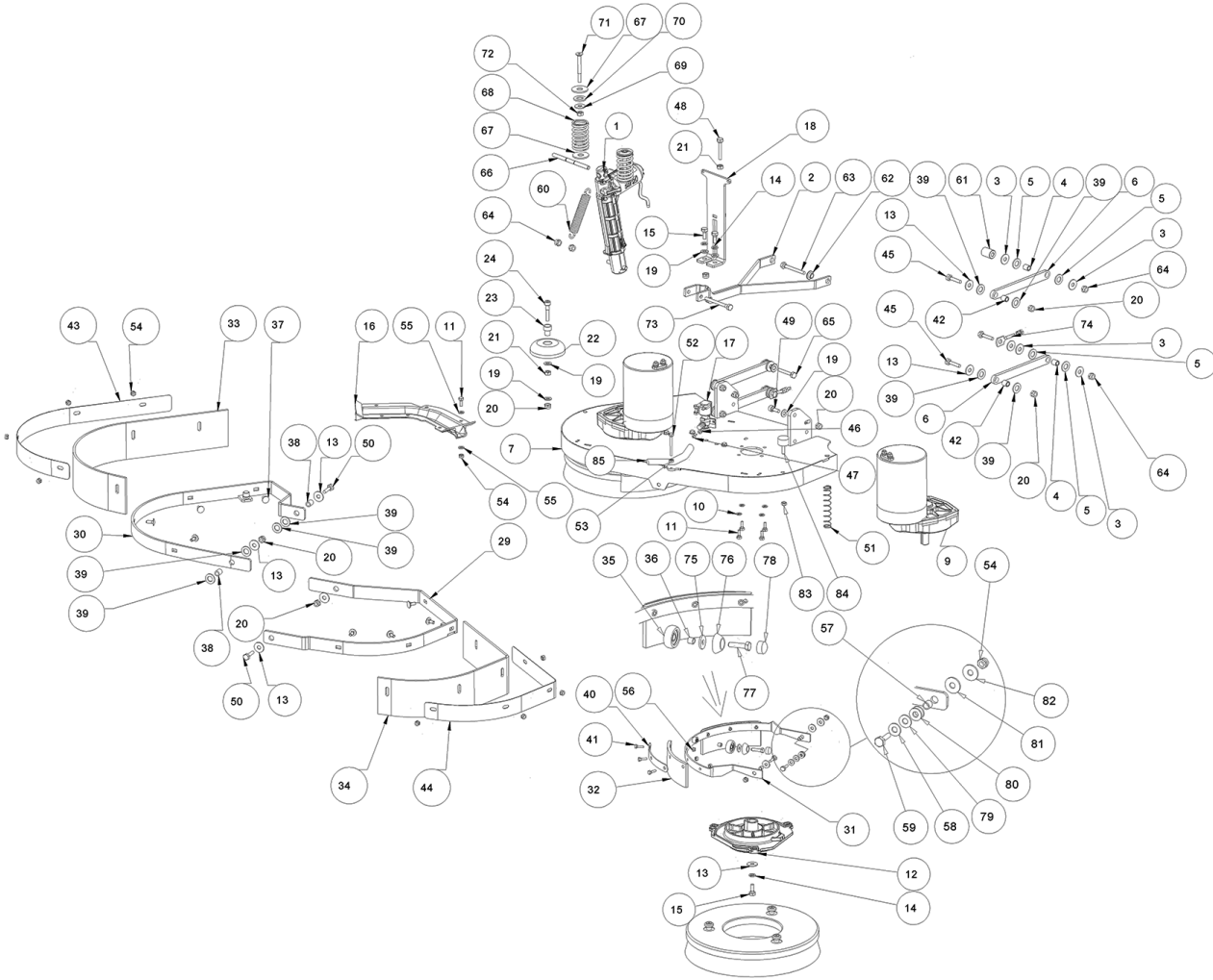
FOMA NORGE AS

Ref: LPTB02721

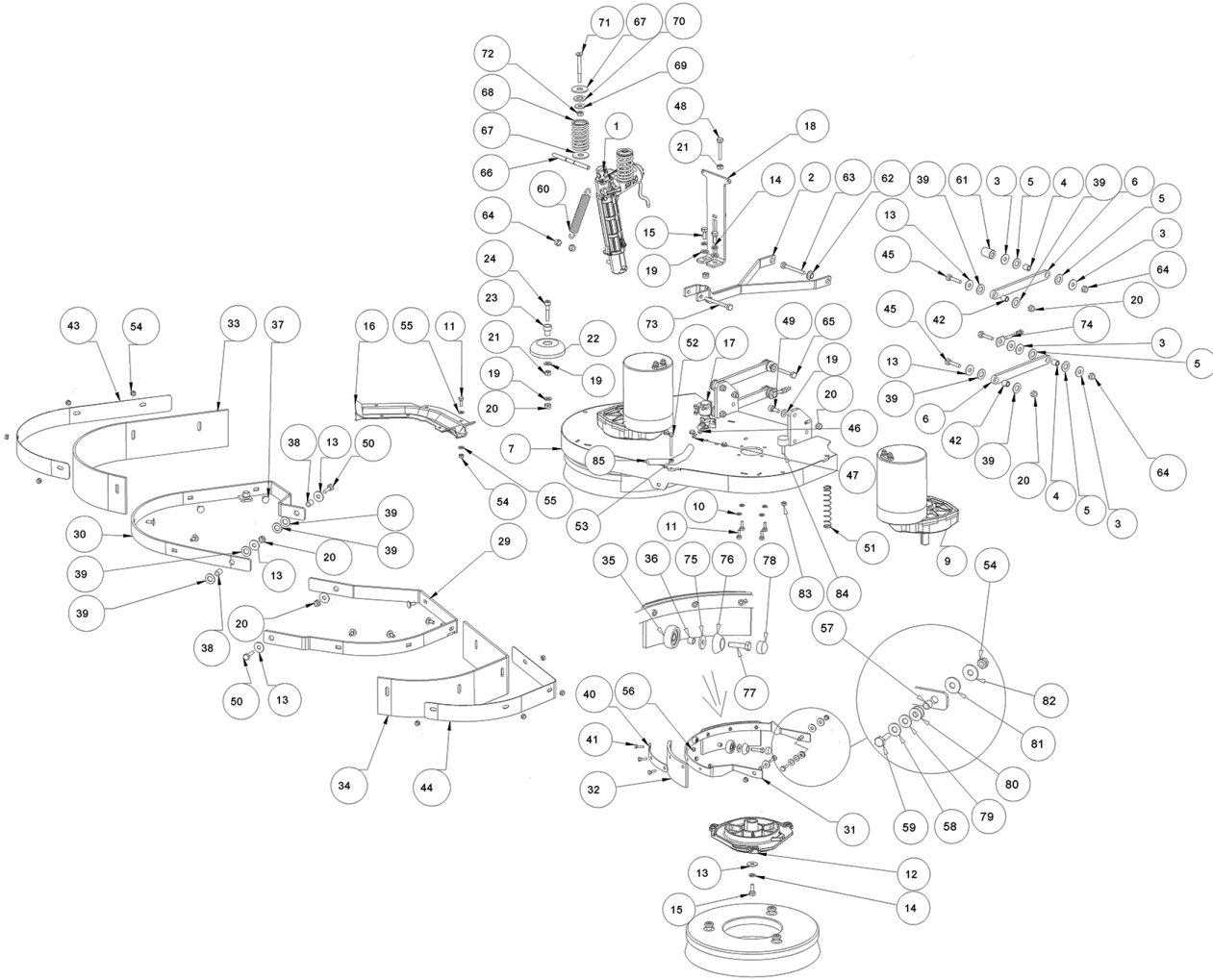
Model: CT80 BT60+CB+BAT GR/VE



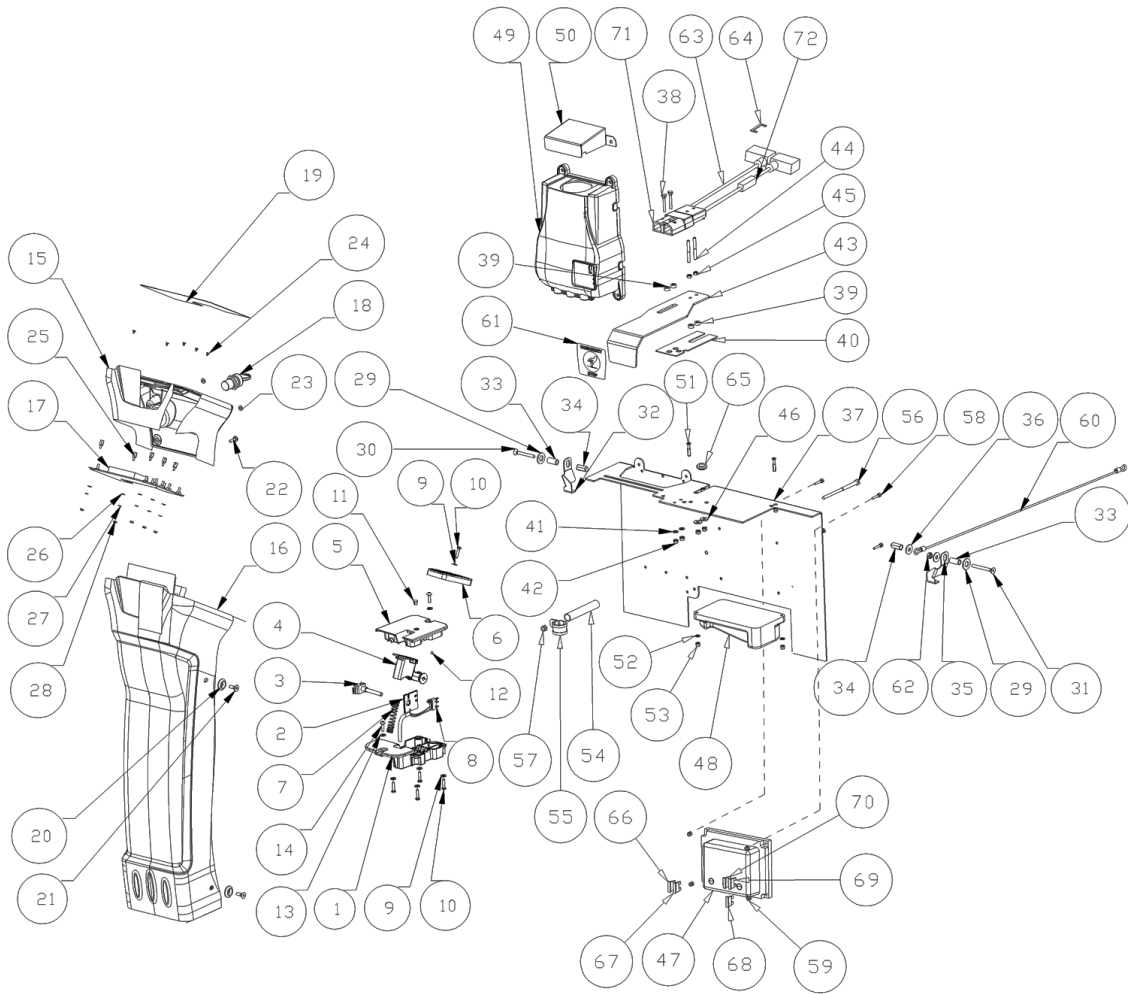
Ref.	K	Part N.	Customer Part N.	Description	Qty	Validity:		Price
						From	To	
0001		MOCC00423		ATUATOR BRUSH HEAD CT80	1,00			--
0002		LAFN09305		ARM -	1,00			--
0003		VTRS13946		WASHER D. 8 X24 INX UNI 6593	4,00			--
0004		LAFN04151		BUSHING X PARALLELOGRAMMA	2,00			--
0005		VTRS43258		WASHER D.13X24 X2.5 NYL UNI6592	4,00			--
0006		LAFN09298		ARM -	4,00			--
0007		LAFN09307		HEAD -	1,00			--
0009		MOCC00328		MOTOR GEARBOX BRUSH 24V 380W	2,00			--
0010		VTRS15144		WASHER D. 6 INX GRW UNI 1751	8,00			--
0011		VTVT15143		SCREW TE 6X16 UNI5739	14,00			--
0012		MFVR00212		DRIVE DISK	2,00			--
0013		VTRS13946		WASHER D. 8 X24 INX UNI 6593	10,00			--
0014		VTRS15146		WASHER D. 8 INX GRW UNI 1751	4,00			--
0015		VTVT13938		SCREW TE 8X20 UNI5739 INX	2,00			--
0016		MPVR07146		CONVEYOR -	1,00			--
0017		MEEV00036		SOLENOID VALVE HOLE 8mm CLEANTIME	1,00			--
0018		LAFN09303		BRACKET -	1,00			--
0019		VTRS13947		WASHER D. 8 INX UNI 6592	6,00			--
0020		VTDD01695		NUT M 8 INX	10,00			--
0021		VTDD15521		NUT M 8 INX A2 UNI 5588	2,00			--
0022		MPVR06105		SMALL WHEEL -	1,00			--
0023		LAFN03915		BUSHING NUOVO RUOTINO STRONG	1,00			--
0024		VTVT06241		SCREW 8X40	1,00			--
0029		LAFN09318		SUPPORT SX	1,00			--
0030		LAFN09317		SUPPORT DX	1,00			--
0031		LAFN09358		BRACKET -	2,00			--
0032		MPVR07113		FLAP -	4,00			--
0033		MPVR07110		FLAP -	1,00			--
0034		MPVR07111		FLAP -	1,00			--
0035		CUVR00184		BEARING -	2,00			--
0036		LAFN03840		BUSHING	2,00			--
0037		VTVT01208		SCREW TBEI 5X35	8,00			--
0038		LAFN08907		SPACER 12-8	2,00			--
0039		VTRS43258		WASHER D.13X24 X2.5 NYL UNI6592	8,00			--
0040		LAFN09295		SHEET METAL PA.-	4,00			--
0041		VTVT07725		SCREW TE 5X16 UNI5739 INX	12,00			--
0042		LAFN04151		BUSHING X PARALLELOGRAMMA	2,00			--
0043		LAFN09396		BRACKET -	1,00			--
0044		LAFN09397		BRACKET -	1,00			--



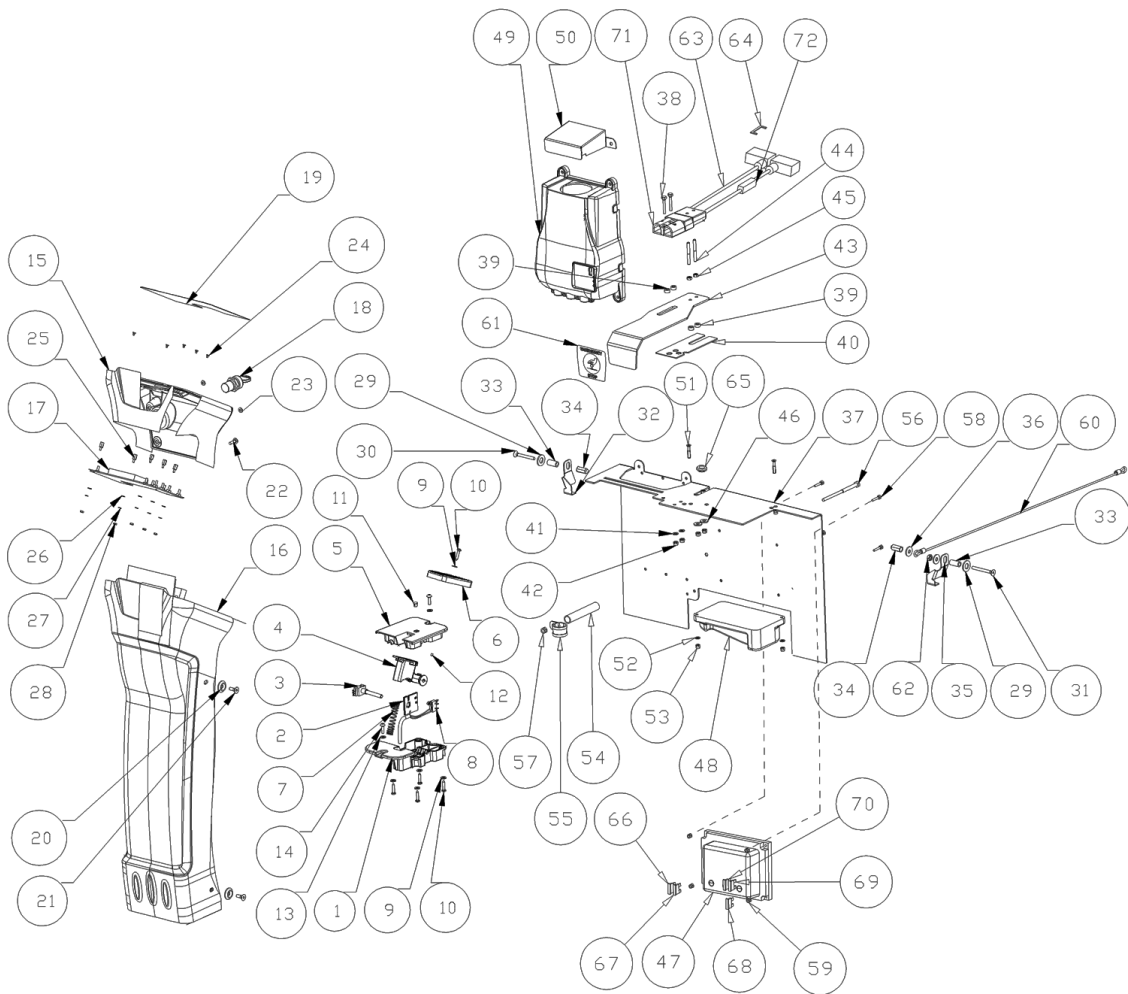
Ref.	K	Part N.	Customer Part N.	Description	Qty	Validity:		Price
						From	To	
0045		VTVT00410		SCREW TE M8x35 UNI5739 INOX	2,00			--
0046		VTRS00515		WASHER D. 4 INX	2,00			--
0047		VTVT01158		SCREW M4x16	2,00			--
0048		VTVT15371		SCREW TE M 8X45 INOX A2 UNI	1,00			--
0049		VTVT13944		SCREW TCEI M 8X20 UNI 5931 INX	2,00			--
0050		VTVT01050		SCREW TE M 8X30 INX UNI 5737	2,00			--
0051		MLML00345		SPRING -	2,00			--
0052		VTVT15515		SCREW TE M 6X 50 INOX A2	2,00			--
0053		VTDD00053		NUT M6 INOX UNI5589	2,00			--
0054		VTDD01694		NUT M6 INOX	18,00			--
0055		VTRS00245		WASHER D.6 UNI 6592 INOX	12,00			--
0056		VTDD01693		NUT M 5 INX	12,00			--
0057		LAFN07876		SPACER -	4,00			--
0058		VTRS13945		WASHER D. 6X18 INX UNI 6593	4,00			--
0059		VTVT13939		SCREW TE 6X20 UNI5739 INX	4,00			--
0060		MLML00347		SPRING -	1,00			--
0061		LAFN09327		SPACER -	1,00			--
0062		LAFN06391		BUSHING PARALLELOGRAMMA	2,00			--
0063		VTVT00757		SCREW	1,00			--
0064		VTDD15521		NUT M 8 INX A2 UNI 5588	2,00			--
0065		VTVT00708		SCREW TE M. 8-40	1,00			--
0065		VTVT00708		SCREW TE M. 8-40	1,00			--
0066		LAFN09320		PIN -	2,00			--
0067		VTRS09142		WASHER D.12 X 36	4,00			--
0068		MLML00324		SPRING -	2,00			--
0069		VTRS13946		WASHER D. 8 X24 INX UNI 6593	2,00			--
0070		VTRS00250		WASHER D.14	2,00			--
0071		VTVT00300		SCREW TSPEI M8x70 UNI5933	2,00			--
0072		VTDD15521		NUT M 8 INX A2 UNI 5588	2,00			--
0073		VTVT00769		SCREW M8X70 A2 UNI5737	1,00			--
0074		LAFN47168		BELT-STRETCHER L.14	2,00			--
0075		VTRS13945		WASHER D. 6X18 INX UNI 6593	2,00			--
0076		MPVR06440		COVER -	2,00			--
0077		VTVT00428		SCREW TCEI 6X20 UNI5931 INX	2,00			--
0078		MPVR06441		COVER -	2,00			--
0079		VTRS13947		WASHER D. 8 INX UNI 6592	4,00			--
0080		MLML00168		SPRING 8,2/15,8-0,25 LISCIA	8,00			--
0081		VTRS00274		WASHER NYLON 66 D.8,4-17-2 UNI	4,00			--
0082		VTRS13945		WASHER D. 6X18 INX UNI 6593	4,00			--



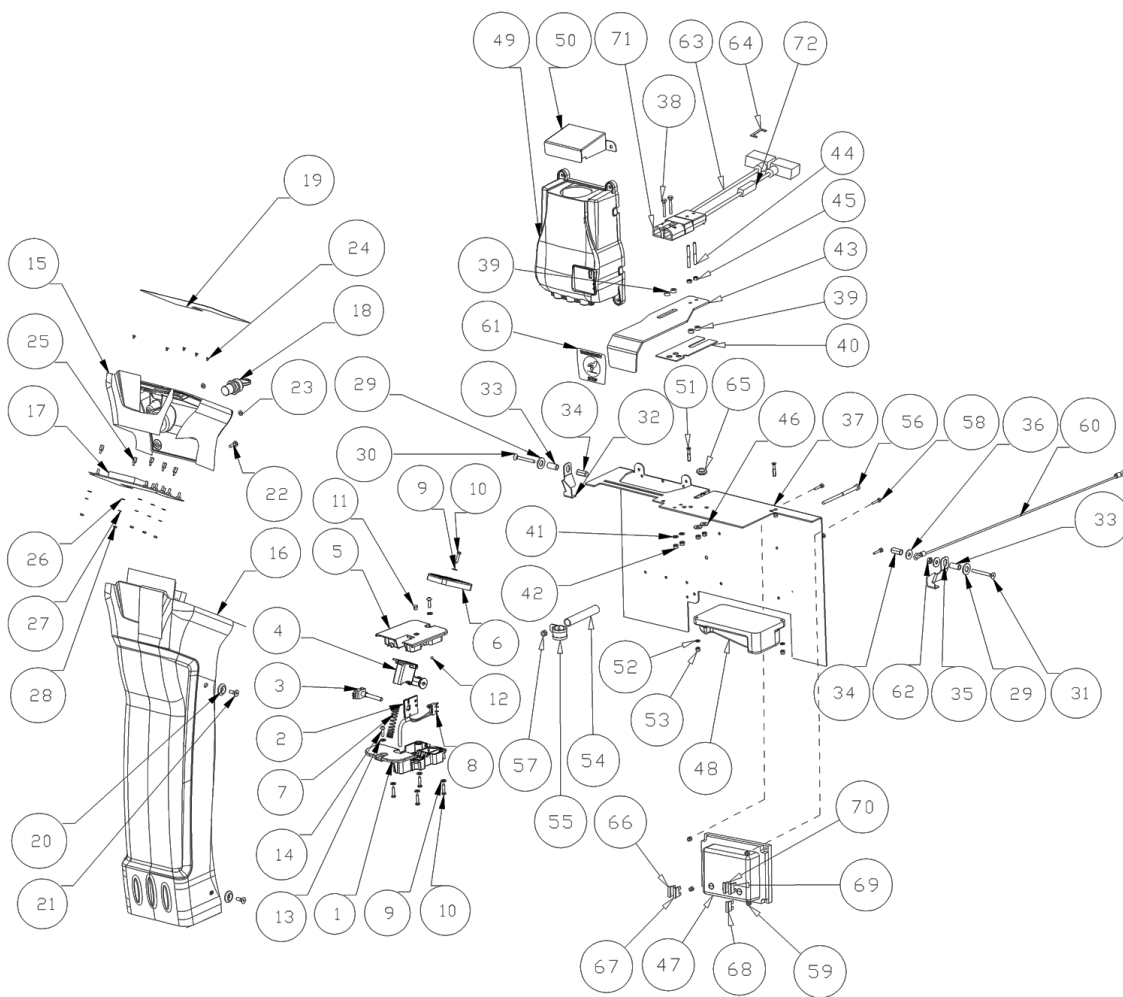
Ref.	K	Part N.	Customer Part N.	Description	Qty	Validity:		Price
						From	To	
0083		VTDD13942		NUT M 6 UNI 5587 INX	1,00	01/2015		--
0084		MPVR75799		FOOT 20x9 M 6x18	1,00	01/2015		--
0085		TBFX48011		TUBE FLEX D.12X3 ARMORV.PVC TR	0,60			--



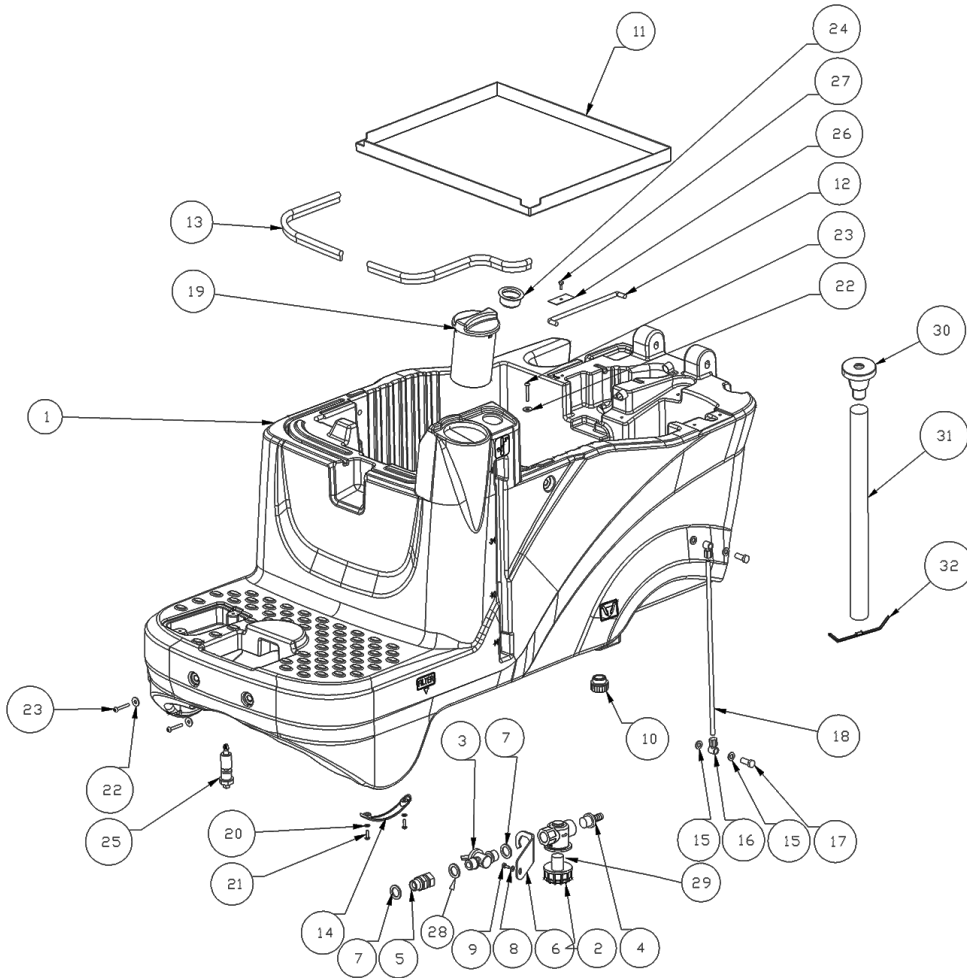
Ref.	K	Part N.	Customer Part N.	Description	Qty	Validity:		Price
						From	To	
0001		MPVR07120		BUSHING -	1,00			--
0002		MPVR07122		PLATE -	1,00			--
0003		MEVR01755		POTENTIOMETER PEDAL CT80	1,00			--
0004		MPVR07121		SUPPORT -	1,00			--
0005		MPVR07119		COVER -	1,00			--
0006		MPVR07126		COVER -	1,00			--
0007		MLML00339		SPRING -	1,00			--
0008		MECI00414		MICROSWITCH PEDAL CT80	1,00			--
0009		VTRS00516		WASHER D. 5 INX	4,00			--
0010		VTVT48694		SCREW TCB TC 5 X12 UNI 9707 TZ	4,00			--
0011		RCVR00163		CAP D.6	1,00			--
0012		VTVT01703		GRUB SCREW M4X8	1,00			--
0013		VTRS00516		WASHER D. 5 INX	1,00			--
0014		VTVT45339		SCREW TBEI M 5X 16 ISO 7380 ZB	1,00			--
0015		MPVR07124		INSTR.PANEL -	1,00			--
0016		MPVR07123		SIDE PANEL -	1,00			--
0017		MECE00589		BOARD DISPLAY CT80	1,00			--
0018		MECI75805		SWITCH TK	1,00			--
0019		ETET01797		LABEL -	1,00			--
0020		VTVR41809		UND.SCREW FLAN.D. 6.5-22 H4.5 NYL.NERO	4,00			--
0021		VTVT00832		SCREW TSPEI M6X16 INOX	4,00			--
0022		VTVT00787		SCREW TBEI M 6-16	2,00			--
0023		VTRS13750		WASHER D. 5X14 INX	2,00			--
0024		VTVT01377		SCREW TSP-TC M 3X5 UNI7688 INX	5,00			--
0025		VTVR00576		SPACER M3	5,00			--
0026		VTRS00268		WASHER D.3	5,00		11/2016	--
0027		VTRS21116		WASHER D. 3 INX	5,00			--
0028		VTDD00210		NUT M 3 AUTOBL.DIN 985 IX.A2	5,00	11/2016		--
0028		VTDD21115		NUT M 3 INOX	5,00		11/2016	--
0029		VTRS15523		WASHER D.10 X21 INOX UNI 6592	2,00			--
0030		VTVT26818		SCREW M6x45 TSPEI UNI5933	1,00			--
0031		VTVT30247		SCREW TSPEI M 6X 50 UNI 5933	1,00			--
0032		LAFN09398		BRACKET -	1,00			--
0033		MPVR07165		SPACER -	2,00			--
0034		VTVR00556		RIVET -	2,00			--
0035		LAFN09399		BRACKET -	1,00			--
0036		VTRS00245		WASHER D.6 UNI 6592 INOX	3,00			--
0037		LAFN09322		SHEET METAL PA.-	1,00			--
0038		VTVT00423		SCREW TE M 5X 30 UNI 5739	2,00			--



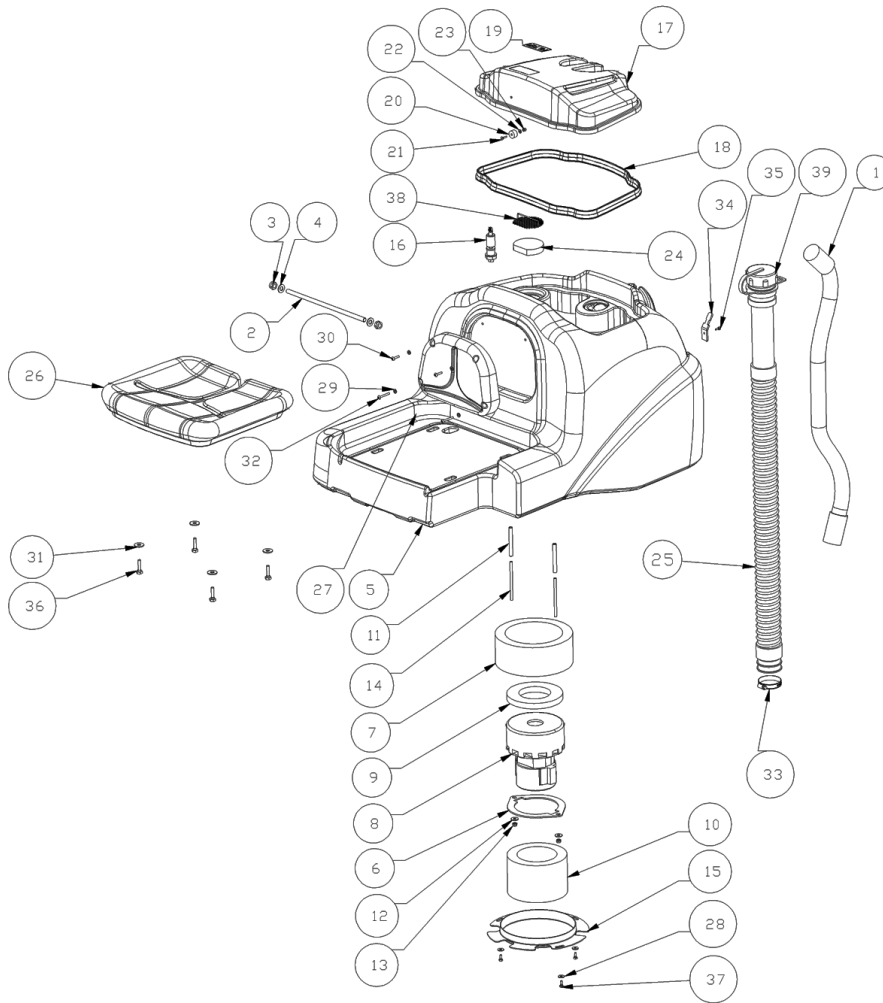
Ref.	K	Part N.	Customer Part N.	Description	Qty	Validity:		Price
						From	To	
0039		MPVR07164		SPACER -	4,00			--
0040		MPVR07141		PLATE -	1,00			--
0041		VTRS00516		WASHER D. 5 INX	2,00			--
0042		VTDD01693		NUT M 5 INX	2,00			--
0043		LAFN09321		LEVER -	1,00			--
0044		LAFN09350		PIN -	2,00			--
0045		VTDD07727		NUT M 5 INOX	2,00			--
0046		VTRS13750		WASHER D. 5X14 INX	2,00			--
0047	S	MECE00588		BOARD POWER SERVICE CT80	1,00		01/2016	--
0047		MECE00738		BOARD POWER SERVICE CT80	1,00	01/2016		--
0048		MECE00607		BOARD TRACTION CURTIS CT80	1,00			--
0049		BACA00181		BATTERY-CHARGERCT80 GANSOW 24V 25A	1,00			--
0050		LAFN09325		DISTRIBUTOR 60	1,00			--
0051		VTVT00861		SCREW TSPEI 4X25	2,00			--
0052		VTRS00515		WASHER D. 4 INX	2,00			--
0053		VTDD00055		NUT M 4 ATB A2	2,00			--
0054		LAFN09323		TUBE -	1,00			--
0055		MEVR02096		FAIR-LEAD -	1,00			--
0056		VTVT00414		SCREW TE M6x100 UNI5739	1,00			--
0057		VTDD01694		NUT M6 INOX	1,00			--
0058		VTVT00704		SCREW TE M 4X 16 UNI5739 INOX	4,00			--
0059		VTDD15925		NUT M 4 INX	4,00			--
0060		CMCV00469		CABLE CT80	1,00		06/2016	--
0060		CMCV00471		CABLE CT80	1,00	06/2016		--
0061		ETET01825		LABEL -	1,00			--
0062		VTDD00053		NUT M6 INOX UNI5589	1,00			--
0063		KTRIO2290		CABLE	1,00			--
0064		MEVR32087		FUSE 100A NST.	1,00			--
0065		MEVR00686		FAIR-LEAD DIAMETER 15.5	1,00	02/2015		--
0066		MEVR01136		FUSE 30A	1,00			--
0067		MEVR01136		FUSE 30A	1,00			--
0068		MEVR01136		FUSE 30A	1,00			--
0069		MEVR00565		FUSE 5A	1,00			--
0070		MEVR00565		FUSE 5A	1,00			--
0071		MEVR01621		PLUG -	1,00			--
0072		MEVR31036		FUSE-HOLDER	1,00			--



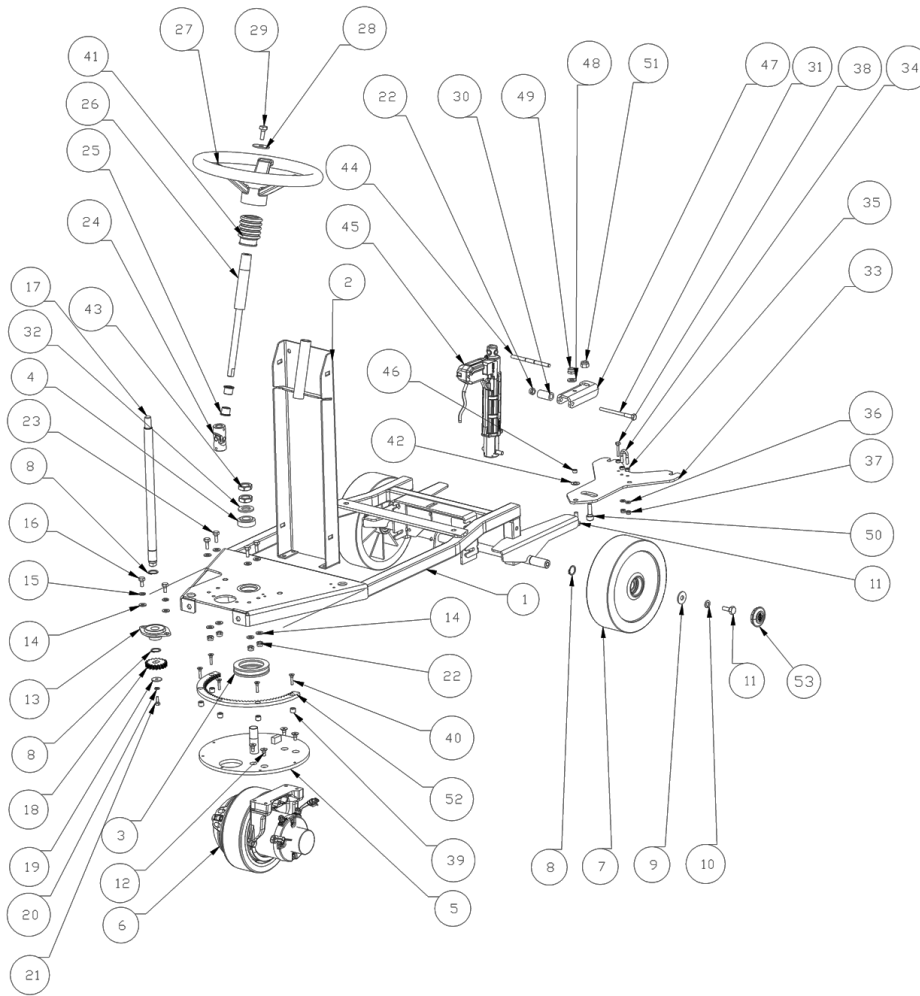
Ref. Part N.	Cust. Part N.	Description	Reference	Price
KTRI02313		KIT POWER BOARD CT80	0047	--



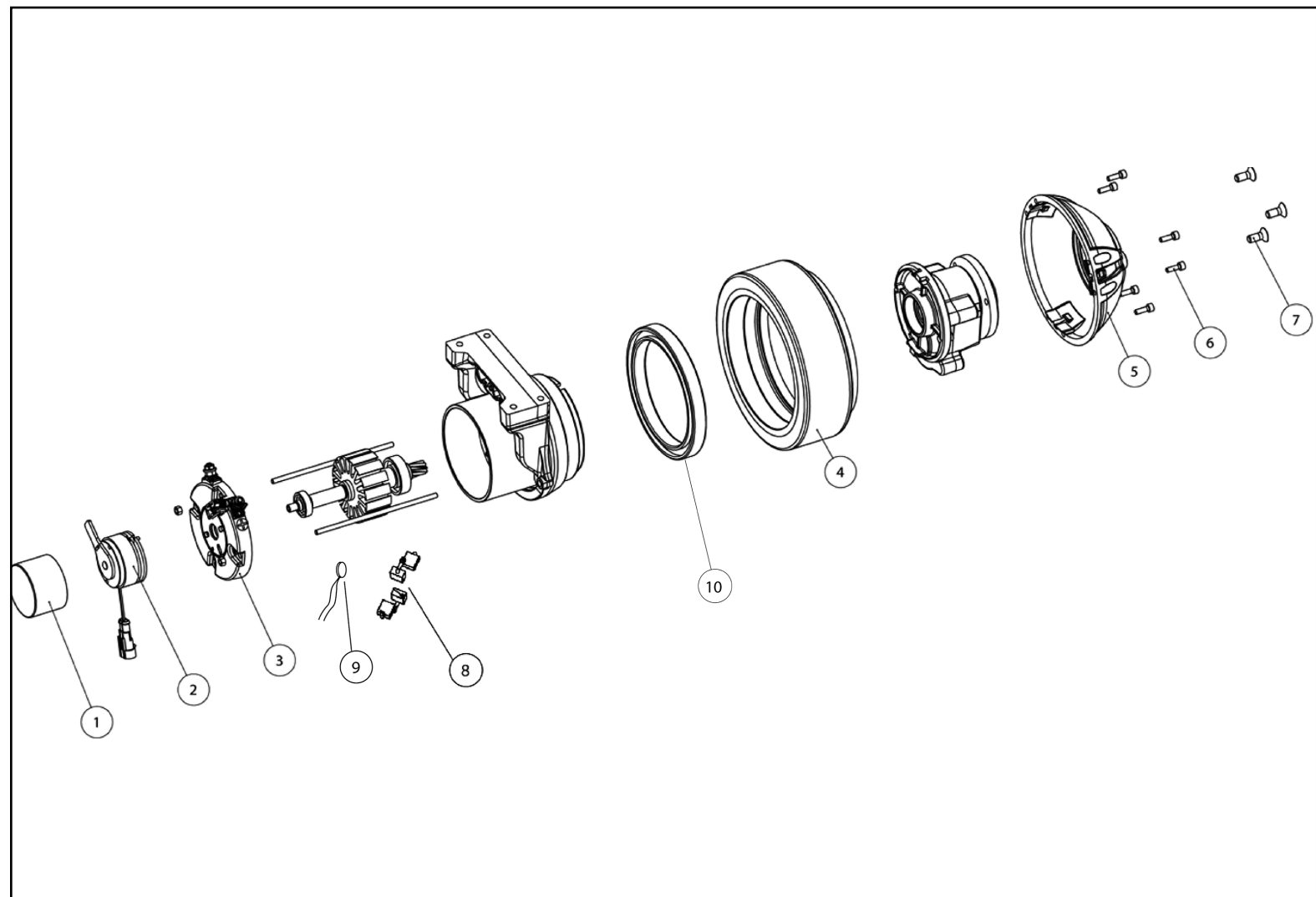
Ref.	K	Part N.	Customer Part N.	Description	Qty	Validity:		Price
						From	To	
0001		MPVR07117		TANK -	1,00			--
0002		FTAC00045		FILTER CT80	1,00			--
0003		RCGR00078		VALVE WATER	1,00			--
0004		RCVR00514		CONNECTOR 1/2 M RESCA 15	1,00			--
0005		RCVR00594		CONNECTOR 1/2" M/F	1,00			--
0006		LAFN09393		BRACKET -	1,00			--
0007		VTRS00567		WASHER 1/2	2,00			--
0008		VTRS13750		WASHER D. 5X14 INX	1,00			--
0009		VTVT01300		SCREW TE M5X12 INOX	1,00			--
0010		MPVR07073		CAP SOLUTION TANK CT110	1,00		10/2016	--
0010		MPVR10773		CAP 3/4"	1,00	10/2016		--
0011		MPVR07131		CONTAINER BATTERIA CT80	1,00			--
0012		LAFN09401		PIN -	1,00			--
0013		GUVR00288		GASKET N052 S1007	0,80			--
0014		MPVR06102		PROTECTION SOLUTION TANK	2,00			--
0015		GUGO00461		GASKET NBR	4,00	02/2015		--
0015		GUGO40012		GASKET D. 9- 16 X 2 VITON	4,00		02/2015	--
0016		RCVR40127		CONNECTOR 1/8" D. 6/ 8 NIK	2,00			--
0017		RCVR40079		SCREW G 1/8 L= 28	2,00			--
0018		TBBP15347		L.P. HOSE D. 6- 8 RILSAN NT.	0,37			--
0019		MPVR07127		CAP SOLUTION DOSER	1,00			--
0020		VTRS00516		WASHER D. 5 INX	4,00			--
0021		VTVT00805		SCREW TBEI M. 5-10	4,00			--
0022		VTRS13946		WASHER D. 8 X24 INX UNI 6593	2,00			--
0023		VTVT00410		SCREW TE M8x35 UNI5739 INOX	2,00			--
0024		MPVR06399		CAP -	1,00			--
0025		MECI00533		SENSOR VS303-51N	1,00			--
0026		LAFN09408		BRACKET -	1,00			--
0027		VTVT01300		SCREW TE M5X12 INOX	1,00			--
0028		GUGO01054		O-RING D. 15.08 X 2.62 NBR 70SH	1,00	01/2015		--
0029		LAFN11037		NET -	1,00			--
0030		MPVR06404		JOINT -	1,00			--
0031		TBFX00375		TUBE -	0,90			--
0032		MPVR08038		PLATE CT15-30	1,00			--



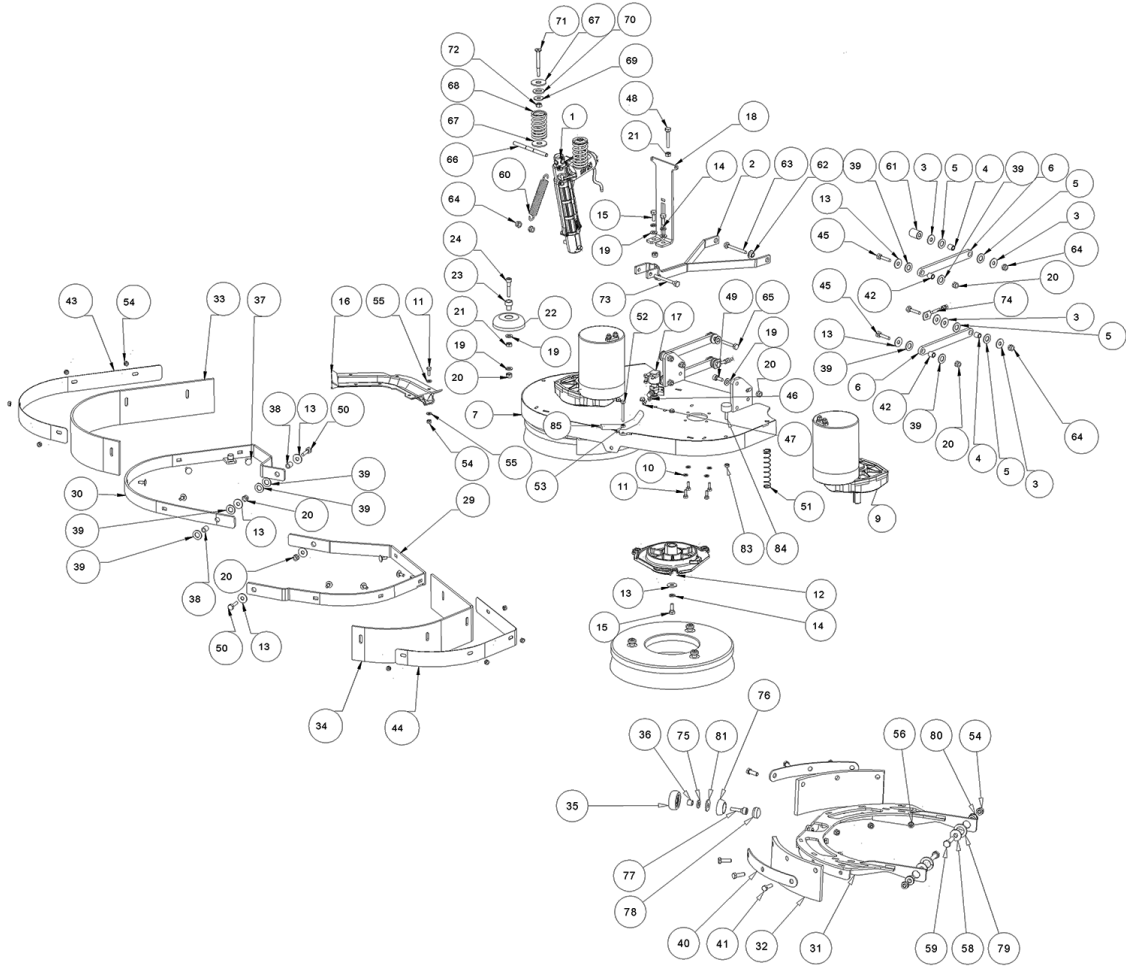
Ref.	K	Part N.	Customer Part N.	Description	Qty	Validity: From To	Price
0001		KTRI04702		KIT REPLACEMENT TBBP00512	1,00		--
0002		LAFN09389		PIN -	1,00		--
0003		VTDD10310		NUT AUTOBL.M10 INOX DIN 985	2,00		--
0004		VTRS15523		WASHER D.10 X21 INOX UNI 6592	2,00		--
0005		MPVR07116		TANK RECOVERY CT80 GREEN	1,00		--
0006		LAFN09352		FLANGE -	1,00		--
0007		ITSO00073		INSULATOR -	1,00		--
0008		MOCC00273		MOTOR VACUUM 3ST 24V	1,00		--
0009		GUGO00272		GASKET VACUUM MOTOR CT	1,00		--
0010		ITSO00072		INSULATOR -	1,00		--
0011		LAFN51077		SPACER PH	2,00		--
0012		VTRS13945		WASHER D. 6X18 INX UNI 6593	2,00		--
0013		VTDD01694		NUT M6 INOX	2,00		--
0014		VTVT00785		ROD FILETTO	2,00		--
0015		MPVR07125		COVER -	1,00		--
0016		MECI00533		SENSOR VS303-51N	1,00		--
0017		MPVR07118		COVER -	1,00		--
0018		GUVR00288		GASKET N052 S1007	1,21		--
0019		ETET01824		LABEL -	1,00		--
0020		MPVR06400		CAP -	1,00		--
0021		VTVT00056		SCREW TSCE 4X12 ACCIAIO INOX	1,00		--
0022		VTRS00515		WASHER D. 4 INX	1,00		--
0023		VTDD00055		NUT M 4 ATB A2	1,00		--
0024		FTDP00232		FILTER -	1,00		--
0025		TBBP00513		HOSE DRAIN RECOVERY TANK CT80	1,00		--
0026		SESD86493		DISTRIBUTOR 60	1,00		--
0027		MPVR07132		SHEET METAL PA.CT80	1,00		--
0028		VTRS13750		WASHER D. 5X14 INX	3,00		--
0029		VTRS00516		WASHER D. 5 INX	4,00		--
0030		VTVT00852		SCREW	2,00		--
0031		VTRS13946		WASHER D. 8 X24 INX UNI 6593	4,00		--
0032		VTVT01207		SCREW TBEI 5X35	2,00		--
0033		FSVR00033		CLAMP 45-60	1,00		--
0034		LAFN09400		HOOK -	1,00		--
0035		VTVT21096		SCREW TE M 4X 10 INX	1,00		--
0036		VTVT13937		SCREW TE M 8X 30 INX UNI 5739	4,00		--
0037		VTVT01300		SCREW TE M5X12 INOX	3,00		--
0038		LAFN09353		NET -	1,00		--
0039		KTRI01980		KIT CAP DRAIN HOSE	1,00		--



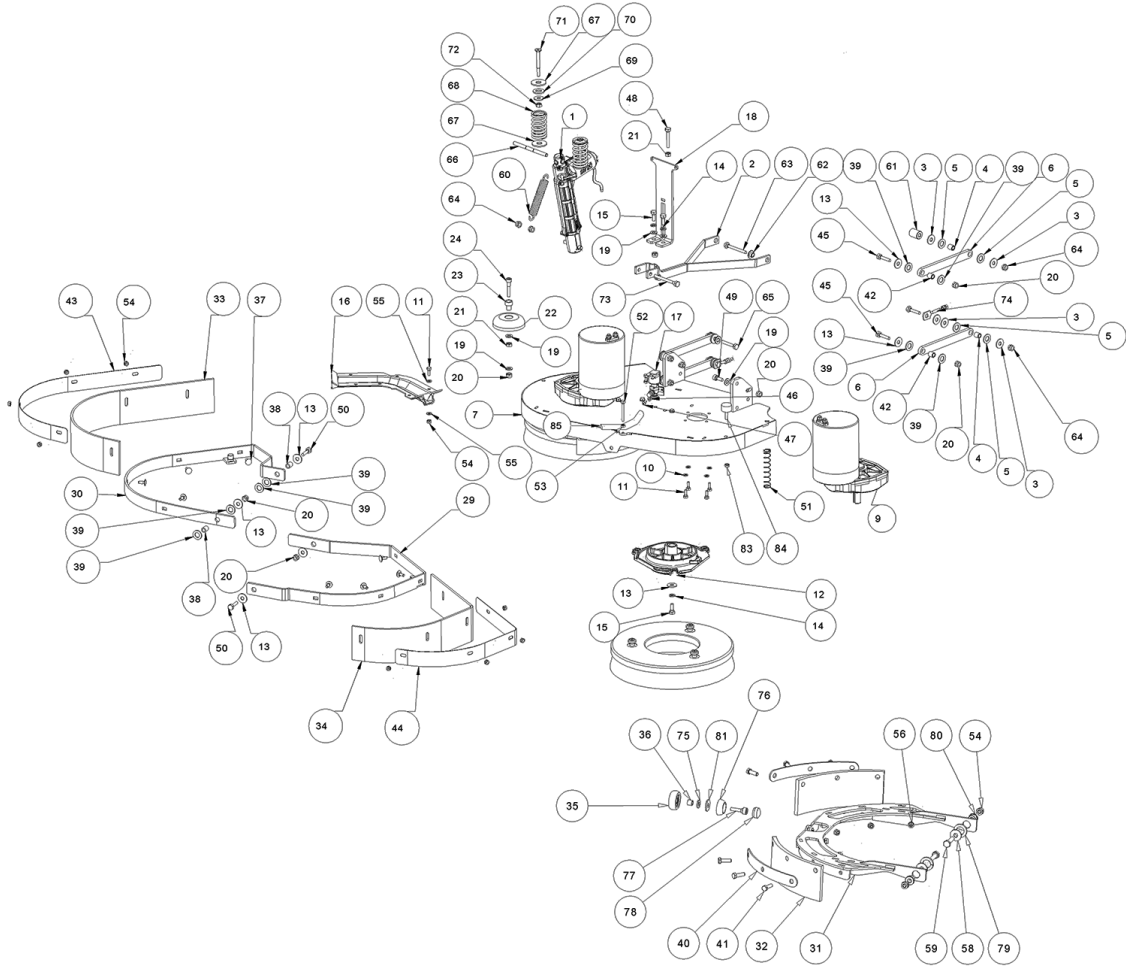
Ref.	K	Part N.	Customer Part N.	Description	Qty	Validity: From To	Price
0001		LAFN09292		FRAME -	1,00		--
0002		LAFN09373		UP STEERING -	1,00		--
0003		CUVR75816		BEARING 51112	1,00		--
0004		CUVR00094		BEARING 32004 TIPO SKF	1,00		--
0005		LAFN09293		PLATE -	1,00		--
0006		MOCC00433		MOTOR ELECTRICAL 24V 300W	1,00		--
0007		RTRT00547		WHEEL D.250x60	2,00		--
0008		VTAE06193		CIRCLIP D. 20 UNI 7435	2,00		--
0009		VTRS15524		WASHER D.10	2,00		--
0010		VTRS15909		WASHER D.10	2,00		--
0011		VTVT03640		SCREW TE 10X25 UNI5740	2,00		--
0012		VTVT00790		SCREW TSPEI M8X16	4,00		--
0013		CUVR00105		SUPPORT	1,00		--
0014		VTRS13947		WASHER D. 8 INX UNI 6592	2,00		--
0015		VTRS15146		WASHER D. 8 INX GRW UNI 1751	2,00		--
0016		VTVT15916		SCREW TE M 8X 16 UNI 5739 A2	2,00		--
0017		LAFN09294		SHAFT -	1,00		--
0018		LAFN06377		PINION STERZO	1,00		--
0019		VTRS16937		WASHER 6x24 INOX UNI 6593	1,00		--
0020		VTRS15144		WASHER D. 6 INX GRW UNI 1751	1,00		--
0021		VTVT15143		SCREW TE 6X16 UNI5739	1,00		--
0022		VTDD01695		NUT M 8 INX	4,00		--
0023		VTVT13938		SCREW TE 8X20 UNI5739 INX	4,00		--
0024		VTVR00057		ARTICULATION CARDANICO	1,00		--
0025		LAFN75841		BUSHING TK 1000	2,00		--
0026		ALTR00097		TRACTION SHAFT LOLY 50	1,00		--
0027		MPVR47027		STEERING WHEEL D. 320 L.14	1,00		--
0028		VTRS44254		WASHER D.10 X40X2.5 UNI6593	1,00		--
0029		VTVT00455		SCREW TE 10X20 UNI5739	1,00		--
0030		LAFN08158		SPACER -	1,00		--
0031		VTVT01677		SCREW TE M 8X100	1,00		--
0032		VTRS00019		WASHER UNI 6592 FORO 20 INOX	1,00		--
0033		LAFN08156		SHEET METAL PA.-	1,00		--
0034		LAFN09231		BRACKET M6X11X29	1,00		--
0035		VTDD15520		NUT M 6 A2 UNI 5588 INX	2,00		--
0036		VTRS00245		WASHER D.6 UNI 6592 INOX	2,00		--
0037		VTDD01694		NUT M6 INOX	2,00		--
0038		VTVT13939		SCREW TE 6X20 UNI5739 INX	1,00		--
0039		LAFN06844		SPACER CORONA	5,00		--



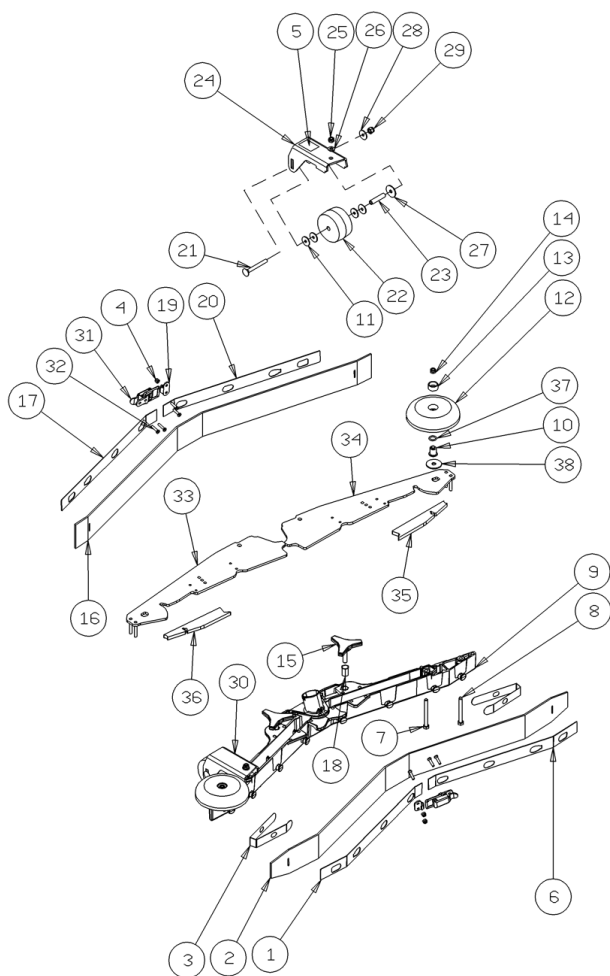
Ref.	K	Part N.	Customer Part N.	Description	Qty	Validity:		Price
						From	To	
0001		MPVR06463		COVER -	1,00			--
0002		MEVR01757		BRAKE TRACTION MOTORWHEEL CT80	1,00			--
0003		KTRI02294		KIT CARBONS SUPPORT CT80	1,00			--
0004		RTRT00552		WHEEL PU FOR TRACTION CT80	1,00			--
0005		MPVR06464		COVER -	1,00			--
0008		MEVR34441		BRUSH CARBON CC7X14X19 200/400W	4,00			--
0009		MEVR02387		SENSOR THERMAL MOCC00433	1,00			--
0010		CUVR00220		BEARING TRACTION MOTORWHEEL CT80	1,00			--



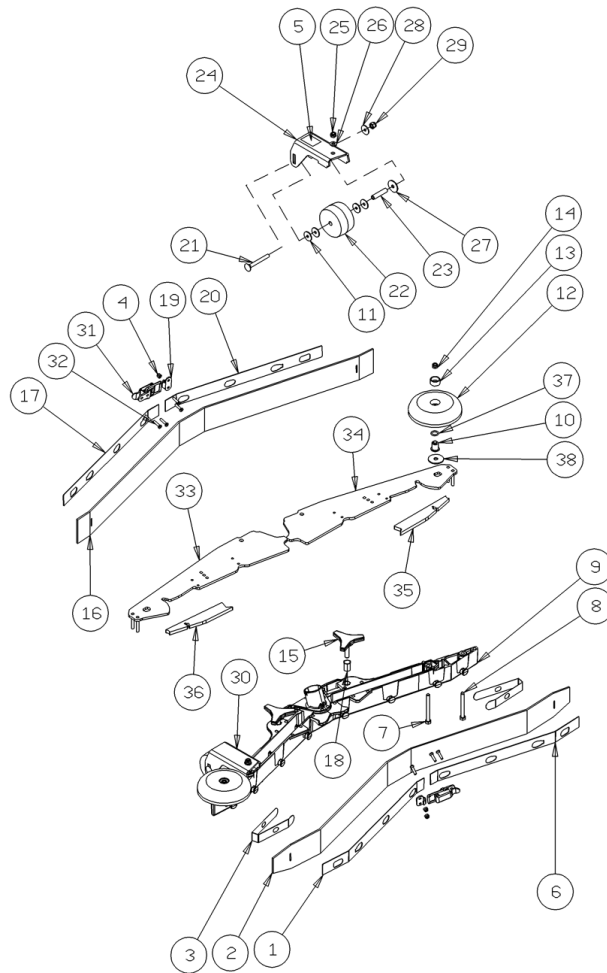
Ref.	K	Part N.	Customer Part N.	Description	Qty	Validity: From To	Price
0001		MOCC00423		ATUATOR BRUSH HEAD CT80	1,00		--
0002		LAFN09305		ARM -	1,00		--
0003		VTRS13946		WASHER D. 8 X24 INX UNI 6593	4,00		--
0004		LAFN04151		BUSHING X PARALLELOGRAMMA	2,00		--
0005		VTRS43258		WASHER D.13X24 X2.5 NYL UNI6592	4,00		--
0006		LAFN09298		ARM -	4,00		--
0007		LAFN09307		HEAD -	1,00		--
0009		MOCC00328		MOTOR GEARBOX BRUSH 24V 380W	2,00		--
0010		VTRS15144		WASHER D. 6 INX GRW UNI 1751	8,00		--
0011		VTVT15143		SCREW TE 6X16 UNI5739	14,00		--
0012		MFVR00212		DRIVE DISK	2,00		--
0013		VTRS13946		WASHER D. 8 X24 INX UNI 6593	10,00		--
0014		VTRS15146		WASHER D. 8 INX GRW UNI 1751	4,00		--
0015		VTVT13938		SCREW TE 8X20 UNI5739 INX	2,00		--
0016		MPVR07146		CONVEYOR -	1,00		--
0017		MEEV00036		SOLENOID VALVE HOLE 8mm CLEANTIME	1,00		--
0018		LAFN09303		BRACKET -	1,00		--
0019		VTRS13947		WASHER D. 8 INX UNI 6592	6,00		--
0020		VTDD01695		NUT M 8 INX	10,00		--
0021		VTDD15521		NUT M 8 INX A2 UNI 5588	2,00		--
0022		MPVR06105		SMALL WHEEL -	1,00		--
0023		LAFN03915		BUSHING NUOVO RUOTINO STRONG	1,00		--
0024		VTVT06241		SCREW 8X40	1,00		--
0029		LAFN09318		SUPPORT SX	1,00		--
0030		LAFN09317		SUPPORT DX	1,00		--
0031		LAFN11044		BRACKET -	2,00		--
0032		MPVR07113		FLAP -	4,00		--
0033		MPVR07110		FLAP -	1,00		--
0034		MPVR07111		FLAP -	1,00		--
0035		CUVR00184		BEARING -	2,00		--
0036		LAFN03840		BUSHING	2,00		--
0037		VTVT01208		SCREW TBEI 5X35	8,00		--
0038		LAFN08907		SPACER 12-8	2,00		--
0039		VTRS43258		WASHER D.13X24 X2.5 NYL UNI6592	8,00		--
0040		LAFN09295		SHEET METAL PA.-	4,00		--
0041		VTVT07725		SCREW TE 5X16 UNI5739 INX	12,00		--
0042		LAFN04151		BUSHING X PARALLELOGRAMMA	2,00		--
0043		LAFN09396		BRACKET -	1,00		--
0044		LAFN09397		BRACKET -	1,00		--



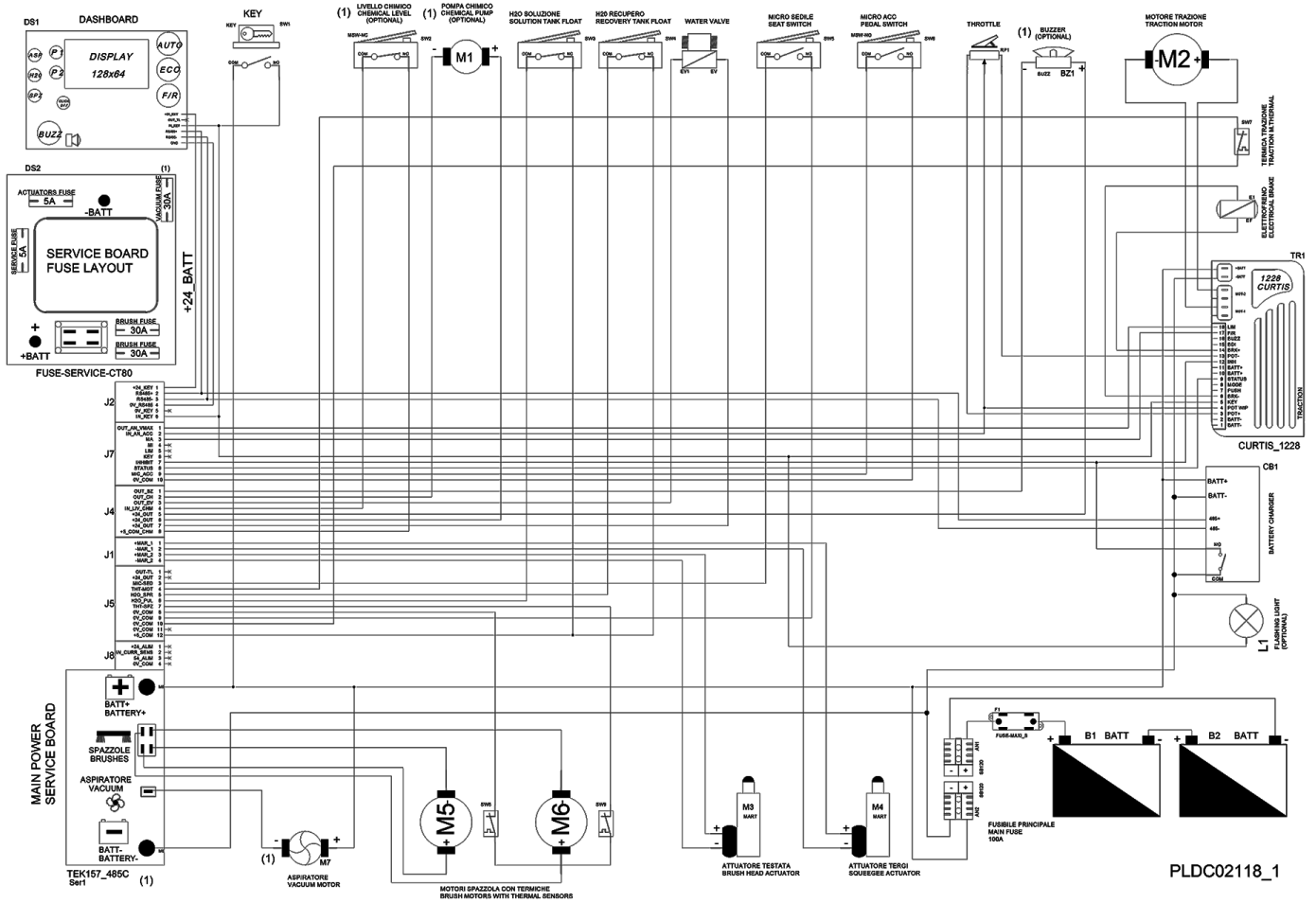
Ref.	K	Part N.	Customer Part N.	Description	Qty	Validity:		Price
						From	To	
0045		VTVT00410		SCREW TE M8x35 UNI5739 INOX	2,00			--
0046		VTRS00515		WASHER D. 4 INX	2,00			--
0047		VTVT01158		SCREW M4x16	2,00			--
0048		VTVT15371		SCREW TE M 8X45 INOX A2 UNI	1,00			--
0049		VTVT13944		SCREW TCEI M 8X20 UNI 5931 INX	2,00			--
0050		VTVT01050		SCREW TE M 8X30 INX UNI 5737	2,00			--
0051		MLML00345		SPRING -	2,00			--
0052		VTVT15515		SCREW TE M 6X 50 INOX A2	2,00			--
0053		VTDD00053		NUT M6 INOX UNI5589	2,00			--
0054		VTDD01694		NUT M6 INOX	18,00			--
0055		VTRS00245		WASHER D.6 UNI 6592 INOX	12,00			--
0056		VTDD01693		NUT M 5 INX	12,00			--
0058		VTRS13945		WASHER D. 6X18 INX UNI 6593	4,00			--
0059		VTVT15141		SCREW TE M 6X 25 UNI 5739 INX	2,00			--
0060		MLML00347		SPRING -	1,00			--
0061		LAFN09327		SPACER -	1,00			--
0062		LAFN06391		BUSHING PARALLELOGRAMMA	2,00			--
0063		VTVT00757		SCREW	1,00			--
0064		VTDD15521		NUT M 8 INX A2 UNI 5588	2,00			--
0065		VTVT00708		SCREW TE M. 8-40	1,00			--
0066		LAFN09320		PIN -	2,00			--
0067		VTRS09142		WASHER D.12 X 36	4,00			--
0068		MLML00324		SPRING -	2,00			--
0069		VTRS13946		WASHER D. 8 X24 INX UNI 6593	2,00			--
0070		VTRS00250		WASHER D.14	2,00			--
0071		VTVT00300		SCREW TSPEI M8x70 UNI5933	2,00			--
0072		VTDD15521		NUT M 8 INX A2 UNI 5588	2,00			--
0073		VTVT00769		SCREW M8X70 A2 UNI5737	1,00			--
0074		LAFN47168		BELT-STRETCHER L.14	2,00			--
0075		VTRS00245		WASHER D.6 UNI 6592 INOX	2,00			--
0076		MPVR06440		COVER -	2,00			--
0077		VTVT00428		SCREW TCEI 6X20 UNI5931 INX	2,00			--
0078		MPVR06441		COVER -	2,00			--
0079		VTRS15919		WASHER D.12 GROVER UNI 1751 INX	4,00			--
0080		LAFN11045		BUSHING -	4,00			--
0081		VTRS13945		WASHER D. 6X18 INX UNI 6593	2,00			--
0083		VTDD13942		NUT M 6 UNI 5587 INX	1,00	01/2015		--
0084		MPVR75799		FOOT 20x9 M 6x18	1,00	01/2015		--
0085		TBFX48011		TUBE FLEX D.12X3 ARMORV.PVC TR	0,60			--



Ref.	K	Part N.	Customer Part N.	Description	Qty	Validity:		Price
						From	To	
0001		LAFN09284		SHEET METAL PA.-	1,00			--
0002		MPVR08040		BLADE L LATEX	1,00			--
0003		MPVR05898		CLOSURE L	2,00			--
0004		VTDD00210		NUT M 3 AUTOBL.DIN 985 IX.A2	8,00			--
0005		ETET01817		LABEL -	2,00			--
0006		LAFN09285		SHEET METAL PA.-	1,00			--
0007		VTVT00841		SCREW TE M 6X65 UNI 5739 INX	2,00			--
0008		VTVT00841		SCREW TE M 6X65 UNI 5739 INX	2,00			--
0009		MFVR00217		BODY -	1,00			--
0010		LAFN04100		SPACER PER RUOTINO PARACOLPI	2,00			--
0011		VTRS00274		WASHER NYLON 66 D.8,4-17-2 UNI	4,00			--
0012		MPVR05290		ROLLER PARACOLPI	2,00			--
0013		MPVR49229		BUSHING SHK	2,00			--
0014		VTDD01694		NUT M6 INOX	2,00			--
0015		MPVR06004		KNOB AISI 304	2,00			--
0016		MPVR08036		BLADE L LATEX	1,00			--
0017		LAFN09286		SHEET METAL PA.-	1,00			--
0018		VTVR00567		INSERT -	2,00			--
0019		LAFN09301		SOCKET -	2,00			--
0020		LAFN09287		SHEET METAL PA.-	1,00			--
0021		VTVT01206		SCREW M6X55	2,00			--
0022		RTRT00398		WHEEL -	2,00			--
0023		LAFN07589		SPACER -	2,00			--
0024		LAFN09368		SUPPORT SX	1,00			--
0025		VTDD01694		NUT M6 INOX	2,00			--
0026		VTRS00245		WASHER D.6 UNI 6592 INOX	2,00			--
0027		VTRS16937		WASHER 6x24 INOX UNI 6593	2,00			--
0028		VTRS13945		WASHER D. 6X18 INX UNI 6593	2,00			--
0029		VTDD15518		NUT M 6 INX	2,00			--
0030		LAFN09367		SUPPORT DX	1,00			--
0031		LAFN09302		CLOSURE -	2,00			--
0032		VTVT01070		SCREW TSTC M3X8	8,00			--
0033		LAFN09015		PLATE -	1,00		02/2016	--
0033		LAFN11024		PLATE -	1,00	02/2016		--
0034		LAFN09014		PLATE -	1,00		02/2016	--
0034		LAFN11023		PLATE -	1,00	02/2016		--
0035		GUVR00302		GASKET -	1,00			--
0036		GUVR00303		GASKET -	1,00			--
0037		GUGO00164		GASKET	2,00			--



Ref. K	Part N.	Customer Part N.	Description	Qty	Validity:		Price
					From	To	
0038	VTRS16937		WASHER 6x24 INOX UNI 6593	2,00			--



PLDC02118_1

Ref.	K	Part N.	Customer Part N.	Description	Qty	Validity: From	To	Price
00DS		MECE00607		BOARD TRACTION CURTIS CT80	1,00			--
00M2		MOCC00433		MOTOR ELECTRICAL 24V 300W	1,00			--
00M3		MOCC00423		ATUATOR BRUSH HEAD CT80	1,00			--
00M4		MOCC00424		ATUATOR SQUEEGEE CT80	1,00			--
00M5		MOCC00328		MOTOR GEARBOX BRUSH 24V 380W	1,00			--
00M6		MOCC00328		MOTOR GEARBOX BRUSH 24V 380W	1,00			--
00M7		MOCC00273		MOTOR VACUUM 3ST 24V	1,00			--
00TR		MECE00607		BOARD TRACTION CURTIS CT80	1,00			--
0DS1		MECE00589		BOARD DISPLAY CT80	1,00			--
0EV1		MEEV00036		SOLENOID VALVE HOLE 8mm CLEAN TIME	1,00			--
0RP1		MEVR01755		POTENTIOMETER PEDAL CT80	1,00			--
0SW3		MECI00533		SENSOR VS303-51N	1,00			--
0SW4		MECI00533		SENSOR VS303-51N	1,00			--
0SW6		MECI00414		MICROSWITCH PEDAL CT80	1,00			--