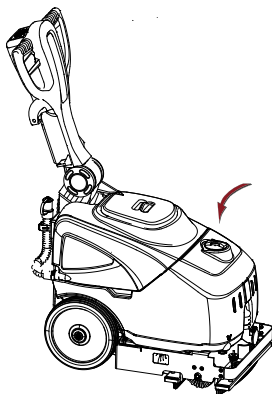


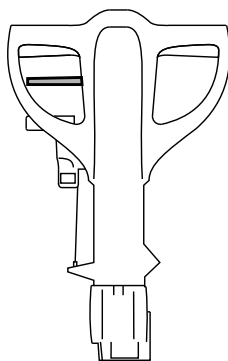
This Guide is intended for quick consultation only and does not replace the Use and Maintenance Manual. Before using the machine, read the Use and Maintenance Manual contained in the machine packaging thoroughly and rigorously respect all the instructions.

PREPARATION/OPERATION

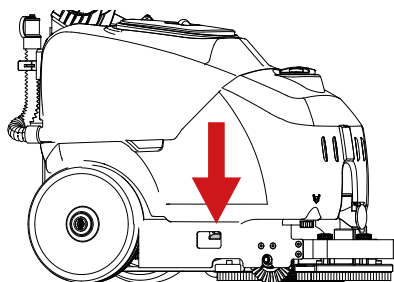
Fill the detergent tank.



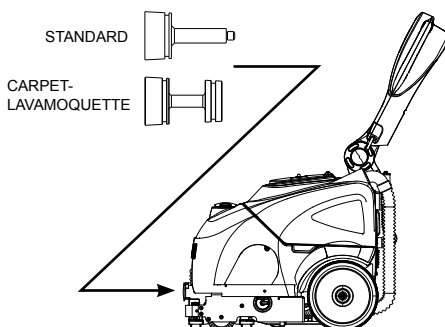
Adjust the slope of the handle by pulling the handle release lever.



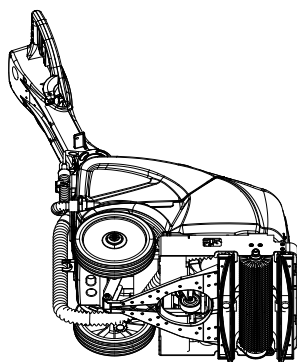
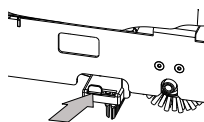
Open the detergent tank tap.



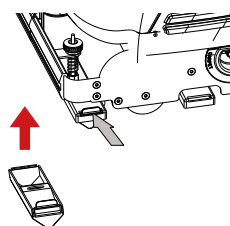
Remove the cap for STANDARD operation from its housing, and replace it with the cap for CARPET KIT operation.



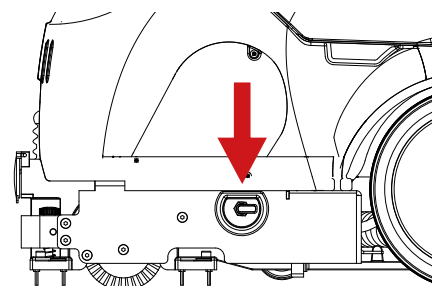
Release the two squeegee supports from their housing and remove them.



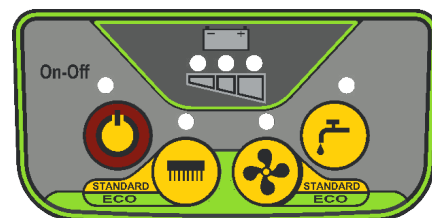
Insert the Carpet Kit carpet cleaner in the front housing, attaching it to the support.



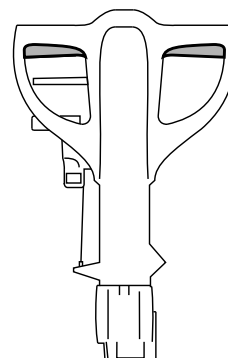
Turn the selector to the Carpet position



Press the ON-OFF button, then press the brush button to activate suction and water delivery.



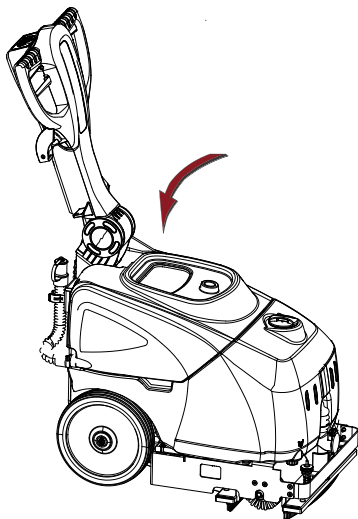
Activate the drive lever. To enable high pressure delivery (battery version only), with the brush already operating, press and hold the H2O button until the LED starts flashing.



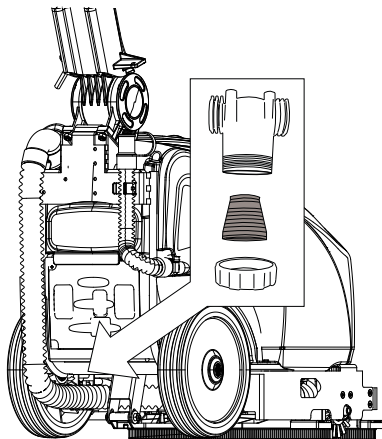
Start working; the machine must be used in reverse gear.

DAILY MAINTENANCE

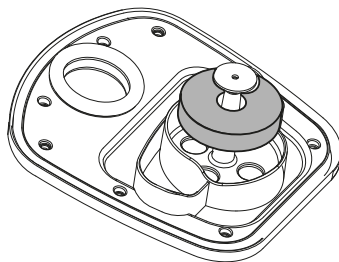
Clean the dirty water tank.



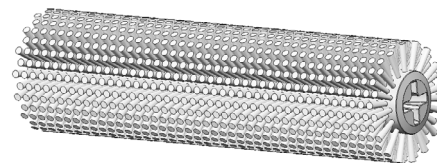
Check the detergent output filter is undamaged and clean.



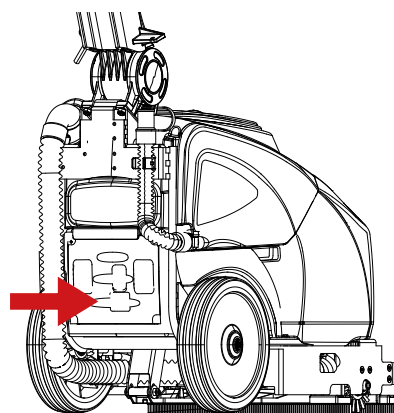
Check the dirty water tank float is undamaged and clean and moves freely on the pin.



Clean the brush.



To recharge the batteries, plug in the battery charger, using the extension provided with the machine.



AUTOMATIC BRUSH ATTACHMENT

Mounting the brush:

switch the machine off, unplug the cable version from the power socket; raise the front of the machine by hand; with the other hand, insert the brush and push it upwards until it clicks into position.

Removing the brush:

switch the machine off, unplug the cable version from the power socket; raise the front of the machine by hand; with the other hand, remove the brush by pulling it downwards; lower the machine.