

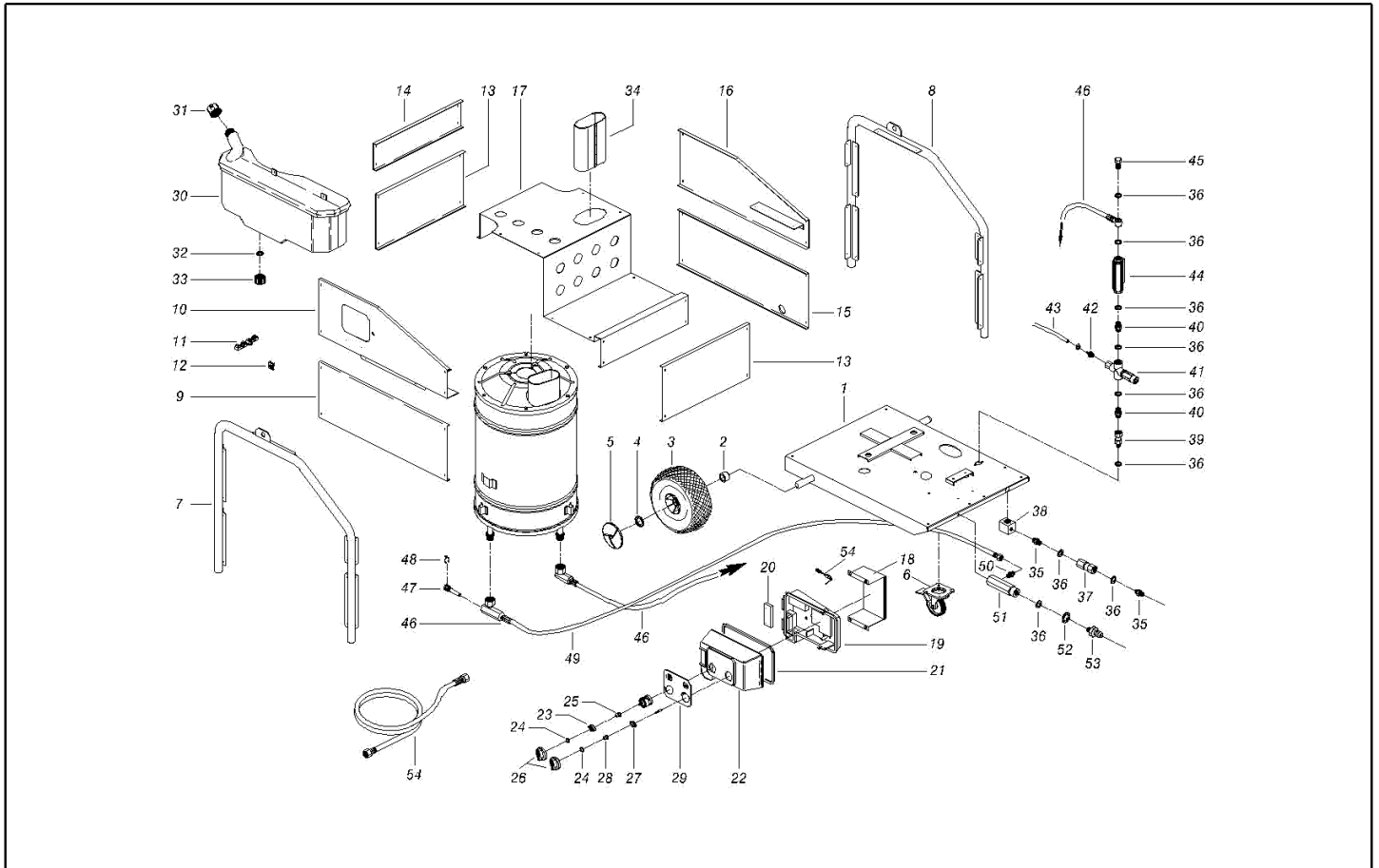


**IPC**

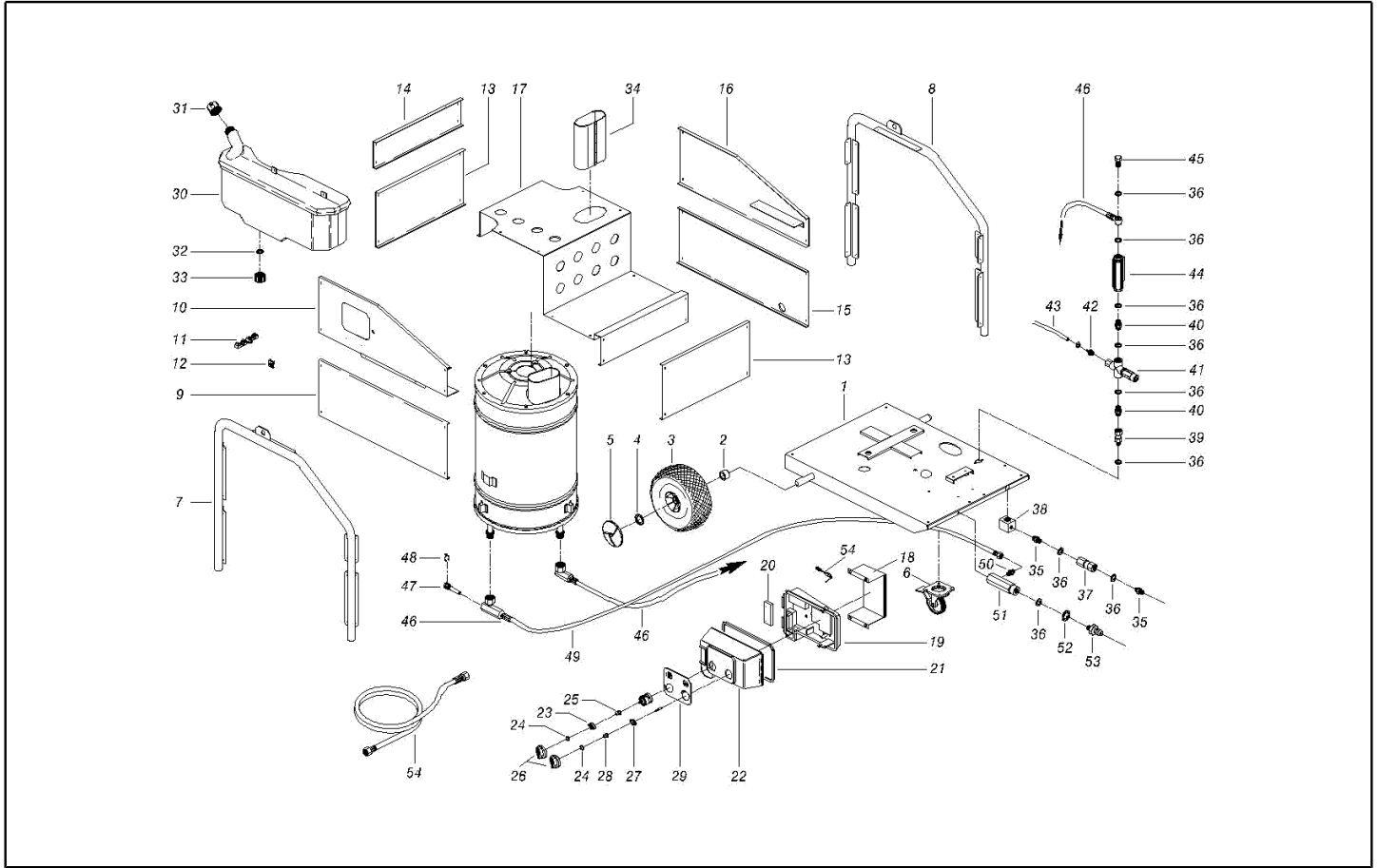
**Spare parts list**

Ref: CDVE40027

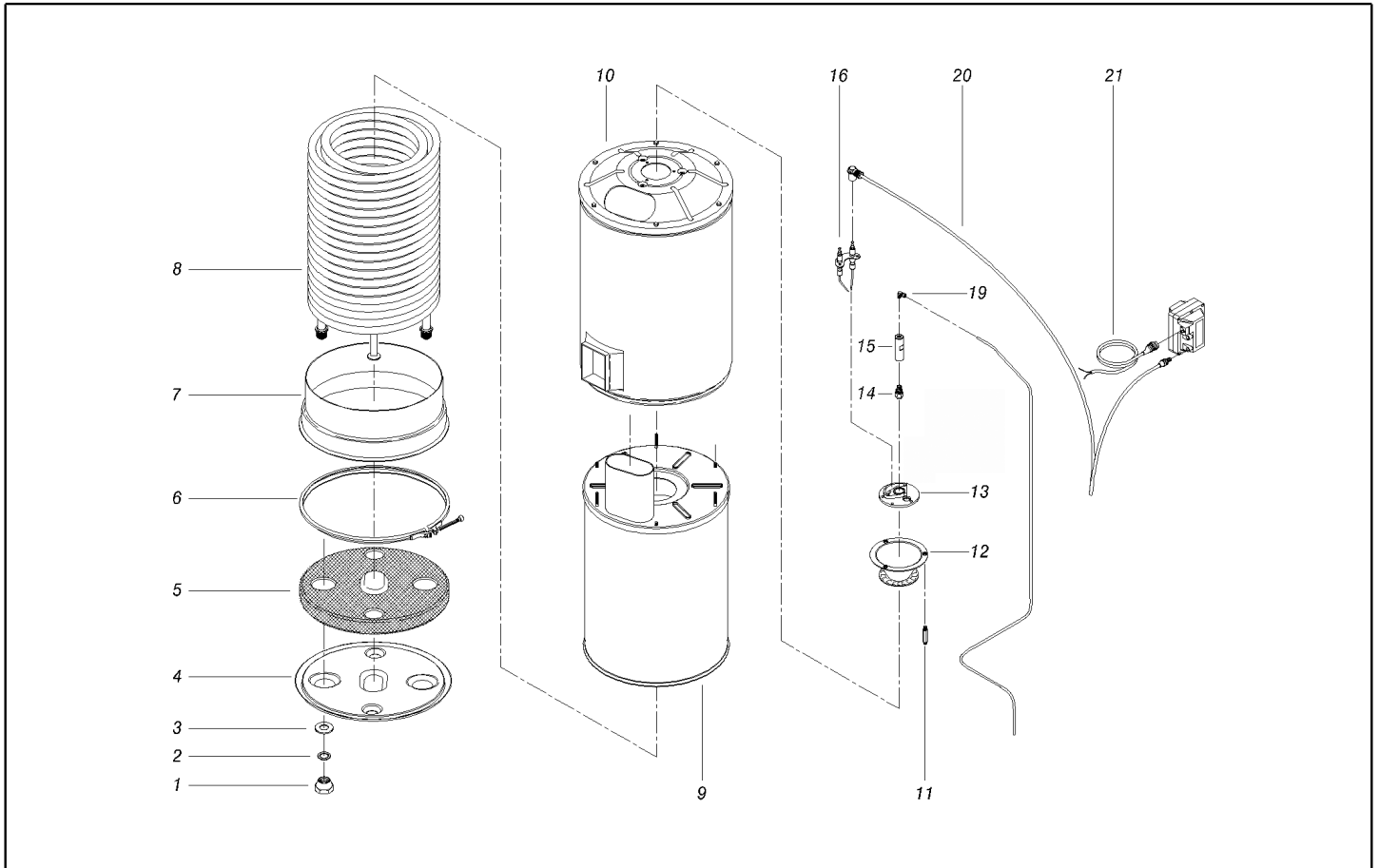
Model: BOILER FIRE BOX 40/35 230/50 IPC



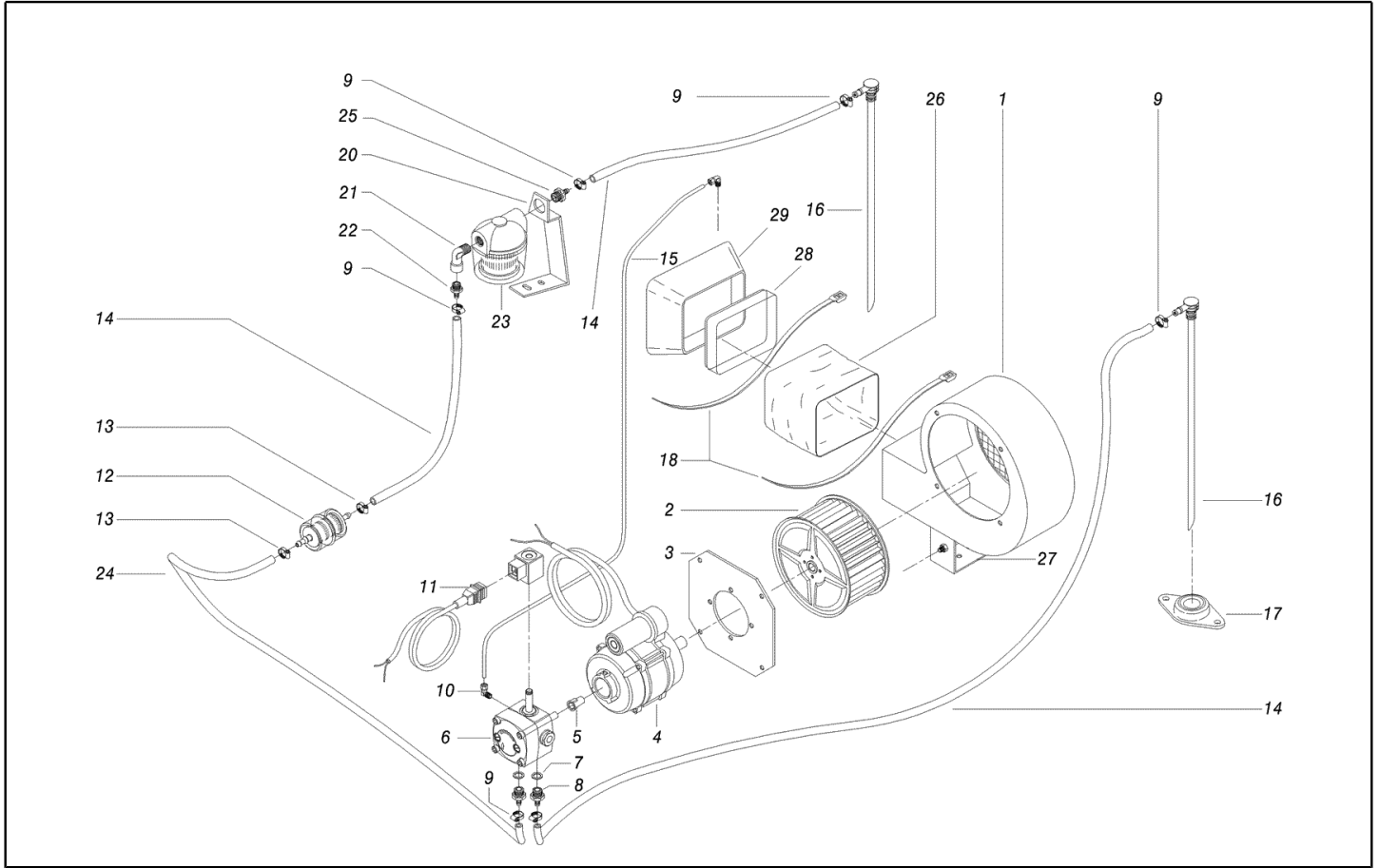
Ref. K	Part n.	Part n. 2	Description	Quantity	Validity		Price
					From	To	
0001	LAFN40009		CHASSIS FIRE BOX 30/40 2V.	1,00	19/09/2006		--
0001	LAFN45277		CHASSIS FIRE BOX 30/40	1,00		18/09/2006	--
0002	MPVR29447		SPACER D. 26-30 L=10 PVC	2,00			--
0003	RTRT30566		WHEEL D.250-D.25X 88 P. NYL	2,00		09/02/2008	--
0003	RTRT40002		WHEEL D.260 3.00-4 D.25 S.PI.NY	2,00	10/02/2008		--
0004	VTRS09813		WASHER D.25	2,00			--
0005	MPVR28995		GREY HUB CAP D. 110	2,00			--
0006	RTRT13708		TURNING WHEEL D.125 P. MZ.PLS	1,00			--
0007	LAFN45269		TUBULAR FRAME FIRE BOX 3/40 DX	1,00			--
0008	LAFN45271		TUBULAR FRAME FIRE BOX 3/40 SX	1,00			--
0009	LAFN45245		LAT. PANEL FIRE BOX 3/40 DX	1,00			--
0010	LAFN49858		LAT. PANEL F.BOX 3/40 DX GRY	1,00			--
0011	MEVR20906		CABLE CLAMP KSM	1,00			--
0012	MEVR23548		CLIP KSM	2,00			--
0013	LAFN45250		PANEL F.BOX 3/40 IF.BLK	1,00	19/09/2006		--
0013	LAFN45250		PANEL F.BOX 3/40 IF.BLK	2,00		18/09/2006	--
0013	LAFN40015		ANT. PANEL F.BOX 3/40 IF.BLK	1,00	19/09/2006		--
0014	LAFN49861		BACK PANEL F.BOX 3/40 SP.GRY	1,00			--
0015	LAFN45243		LAT. PANEL FIRE BOX 3/40 SX	1,00			--
0016	LAFN49859		LAT. PANEL F.BOX 3/40 SX GRY	1,00			--
0017	LAFN49862		COVER FIRE BOX 30/40 GRY	1,00			--
0018	LAFN49860		SUPPORT F.BOX 3/40 GRY	1,00			--
0019	MPVR45278		CONTROL BOX FIRE BOX 30/40 PP	1,00			--
0020	MPVR27097		CABLE CLAMP COV MTH	1,00			--
0021	GUGO11309		JOINT MOUSSE D. 3	0,90			--
0022	MPVR45272		BOX COVER F.BOX 3/40	1,00			--
0023	MPVR23487		THICKNESS THERM. - INT. TUV	1,00			--
0024	GUGO25527		O-RING D. 14 X 3 NBR 70SH	2,00			--
0025	MPVR23482		SWITCH TANG TEC. TUV	1,00			--
0026	MPVR25533		GREY KNOB PRT-AC	1,00	10/10/2017		--
0026	MPVR25533		GREY KNOB PRT-AC	2,00		09/10/2017	--
0026	MPVR40951		GREY KNOB PRT-AC/Fire	1,00	10/10/2017		--
0027	MPVR41903		THICKNESS TERM.IM.PA66	1,00			--
0028	MPVR23484		TAIL PIECE THERM.KSM TUV	1,00			--
0029	ETET45286		LABEL FIRE BOX 30/40 PVC R	1,00			--
0030	MPVR12822		FUEL TANK FUTURA 2	1,00		08/07/2002	--
0030	MPVR47226		FUEL TANK FUT.2 PEHD.NT	1,00	09/07/2002		--
0031	MPVR11192		TANK CAP FLL	1,00			--
0032	GUGO11489		GASKET D.22X1,5	1,00			--
0033	PVVR11806		DISCHARGE CAP FLL	1,00			--
0035	RCDS21480		NIPPLE 3/8 - 3/8 SV S.OR	2,00			--
0036	VTRS00548		WASHER D.17,5X23X1,5 (3/8)RM	2,00			--
0037	VVSF4212		VALVE N/RT 3/8 F/F A1.303	1,00			--
0038	RCDS39897		BLOCK 3VIE 3/8 F/F 1/2F	1,00			--



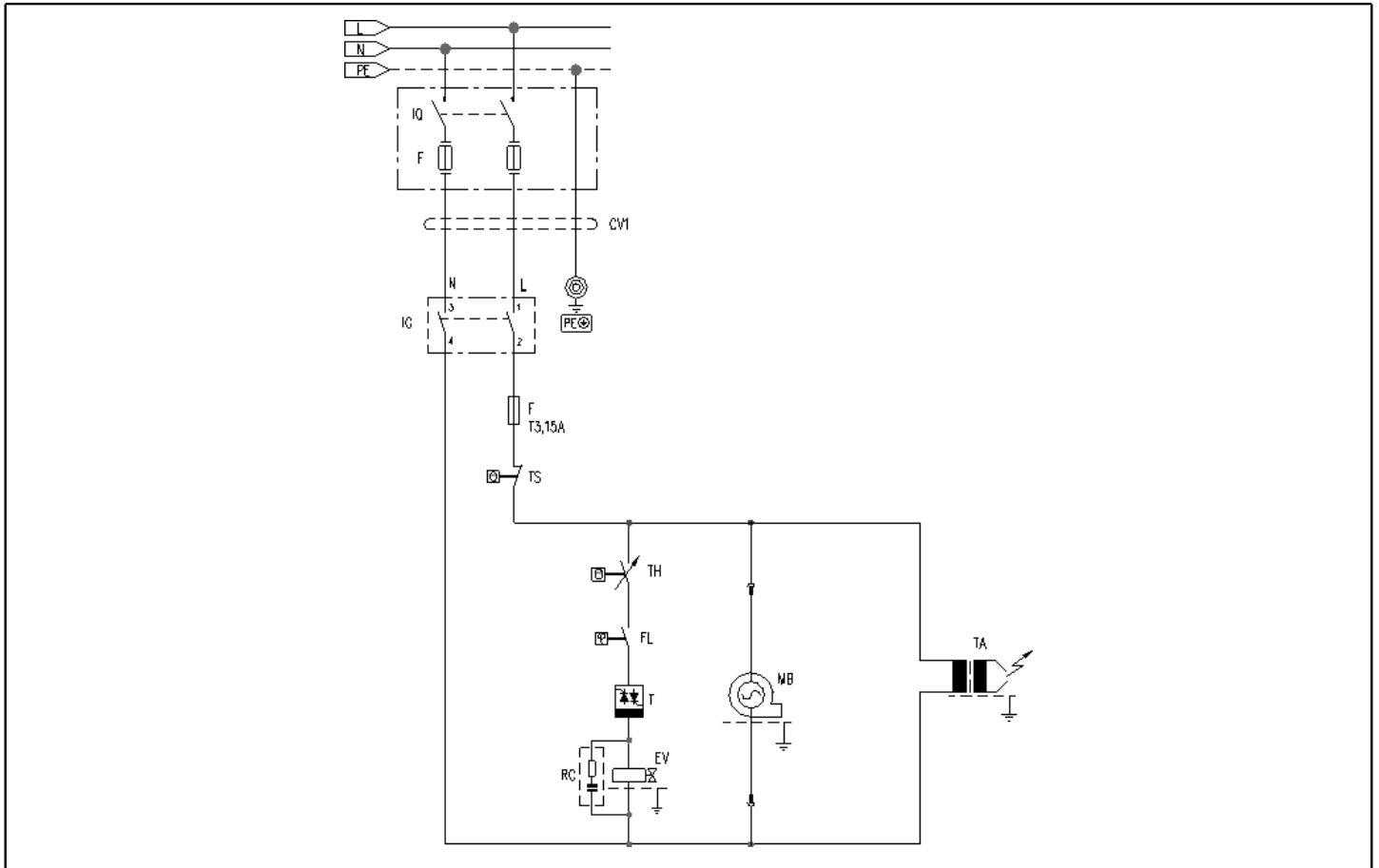
Ref. K	Part n.	Part n. 2	Description	Quantity	Validity		Price
					From	To	
0039	RCVR00563		SWIVEL RACCORD 3/8 M/F	1,00			--
0040	RCDS00610		NIPPLE 3/8 - 3/8 SV	2,00			--
0041	VVSC72419		VALVE VS 350 G3/8 2E.	1,00			--
0042	RCDS03514		HOSE FITTING 3/8 M D. 5- 7	1,00			--
0043	TBBP93804		L.P. HOSE D. 6- 9	0,15	01/05/2012		--
0045	RCDS01371		SCREW G 3/8 A.P.	1,00			--
0046	TBAP45819		HOSE-FITTING 3/ 8 R2 L=680 3/8O-1/2PMG	1,00	06/11/2001		--
0047	RCDS00593		SUMP IM 0-120 L=50	1,00	06/11/2001		--
0048	MLML02623		SPRING IMT	1,00	06/11/2001		--
0049	TBAP20183		HOSE-FITTING 3/ 8 R2 L=310 3/8F0°-PM26	1,00		18/09/2006	--
0049	TBAP40001		HOSE-FITTING 3/ 8 R2 L=480 3/8F90-PM26	1,00	19/09/2006		--
0050	RCDS20186		NIPPLE 3/8 - 14X1.5 SV	1,00			--
0051	RCDS19322		BLOC BODY 3/8F-M14	1,00			--
0052	VTRS22537		WASHER D. 16	1,00			--
0053	RCIN09348		MALE COUPLING 3/8MA L=32	1,00			--
0054	MEVR27264		FUSE-HOLDER 031-1081	1,00			--



Ref. K	Part n.	Part n. 2	Description	Quantity	Validity		Price
					From	To	
0001	RCDS21120		RING NUT M 26 X 1,5	2,00	03/08/2001		--
0002	GUVR21021		ANTI-EXTR.RING D. 21 X17 TEF.	2,00			--
0003	GUGO21222		O-RING D. 15.54 X 2.62 VIT 80SH	2,00			--
0004	LAFN44149		BOILER BOTTOM P176	1,00			--
0005	ITTE44175		BOTTOM P176 C.TE	1,00			--
0006	LAFN40037		RING D.342 P176 ZN 2V.CPL.	1,00			--
0007	LAFN44151		BAND P176 INX	1,00			--
0008	LAFN40464		DOUBLE COIL M26X1.5 P176 40M S.2.9 VR	1,00			--
0009	LAFN46226		INT. CYLINDER P176 40.CP.INX	1,00			--
0010	LAFN40035		EXT. CYLINDER P176-FR/2 40.CP.	1,00			--
0011	LAFN44159		PIN CH.10 X 75.7 M5M/M5M P176	3,00	15/05/2007		--
0012	LAFN44244		BAFFLE P176 30M INX	1,00			--
0013	MFVR44251		ELECTR.HOLDER P176	1,00			--
0014	UGBR31344		BURNER NOZZLE 1.75 60 S	1,00			--
0015	RCDS07642		NOZZLE HOLDER FUT	1,00			--
0016	MECA12525		ELECTRODE FUT	1,00			--
0017	MPVR18228		OIL WARN-LIGHT D.17 X3	1,00		11/10/2002	--
0019	RCVR08954		ELBOW 1/8"-4 B5	1,00			--
0021	MECB34463		CABLE BT L=800 SP. FD	1,00			--



Ref. K	Part n.	Part n. 2	Description	Quantity	Validity		Price
					From	To	
0001	LAFN39702		SCROLL CB4 -SLV	1,00		30/09/2007	--
0001	MPVR40010		SCROLL CB4 -2PZ.CP	1,00	01/10/2007	05/11/2015	--
0001	MPVR40665		SCROLL CB4 -2PZ.GR.	1,00	06/11/2015		--
0002	VEVR34275		IMPELLER D.160-80 D.12.7 36P B.SX	1,00			--
0003	LAFN10272		MOTOR PLATE CB 3	1,00	11/04/2000		--
0004	MOMB34119		BURNER MOTOR 230-50 IP44 150W A.OR	1,00			--
0005	KTRI36516		KIT P 18- 9	1,00			--
0006	FTCO88927		FUEL FILTER S.AL	1,00	01/01/2005		--
0006	PPGS18240		FUEL PUMP DLT VM1LL25	1,00	28/09/2001	31/12/2004	--
0006	PPGS40005		FUEL PUMP DNF BFA 01L3R2	1,00	20/05/2008		--
0006	PPGS88592		FUEL PUMP DLT ALLUM. A1L2	1,00	01/01/2005	19/05/2008	--
0007	VTRS04931		WASHER COPPER D.13X19X1.5	2,00	28/09/2001		--
0008	RCDS00626		HOSE FITTING 1/4 M D. 5- 7	2,00	28/09/2001		--
0009	FSVR00427		CLAMP D. 12 CLIC 66-110	2,00	28/09/2001		--
0011	MECB18118		CABLE DLT L=1.600	1,00			--
0012	FTCO34840		FUEL FILTER FB 7/A NYL.	1,00		07/04/2010	--
0012	FTCO40003		FUEL FILTER FB 7/TA 60mc NYL.	1,00	08/04/2010	24/02/2016	--
0012	FTCO40004		FUEL FILTER FB 7/T 60mc NYL.	1,00	25/02/2016		--
0013	FSVR11197		CLAMP D.12.9-13.6	2,00			--
0014	TBCO06945		L.P. HOSE D. 6-12 10BAR C.PRESS	0,60			--
0015	TBCO40040		DIESEL HOSE D. 4 FIRE BOX 40 IX	1,00	20/01/2015		--
0015	TBCO45237		DIESEL HOSE D. 4 FIRE BOX 40	1,00		19/01/2015	--
0016	RCDS11454		SUCTION L= 255 C	2,00	28/09/2001		--
0017	RCDS11455		FUEL SUCT. SUPP FLL	2,00	28/09/2001		--
0018	FSVR01873		CLAMP LG 31920 9 X500	2,00		30/09/2007	--
0019	GUVR37987		SLEEVE SLR H=225	1,00		30/09/2007	--
0024	TBCO06945		L.P. HOSE D. 6-12 10BAR C.PRESS	0,30			--
0026	MPVR40014		CONVEYOR CB4-FBX PA6	1,00	01/10/2007		--
0027	LAFN40010		BRACKET CB4-FBX	1,00	01/10/2007		--
0028	GUGO20124		GASKET KSM	1,00	01/10/2007		--



Ref. K	Part n.	Part n. 2	Description	Quantity	Validity		Price
					From	To	
F	MEVR00237		FUSE 5X20 3,15A	1,00			--
T	METY06856		TIMER SAS S10 230V 3SEC CID	1,00			--
EV	MEBE43705		COIL DNF 220-50	1,00			--
FL	MEPF40010		FLOW SWITCH ST5-350B. L=1.600	1,00			--
IG	MECI40020		SWITCH BRM BP. 0-1 12A	1,00			--
RC	MECE10037		RESISTANCE RC 0.22MF 1000 OHM	1,00			--
TA	METR88630		TRANSFORMER 23/240V-5/60HZ 2X26KV TR.	1,00	20/05/2008		--
TH	METK40006		THERMOSTAT 0-150° L=1500 S&R	1,00		31/12/2012	--
TH	METK40011		THERMOSTAT 0-150° L=1500 F&C	1,00	01/01/2013		--
TS	METK40007		THERMOSTAT 65°C NSP-040 PT RIPR.	1,00			--
CV1	MECB27734		CABLE H07 RNF 3X1.5 L=6.500	1,00			--