

Integrated Professional Cleaning



IPC Foma



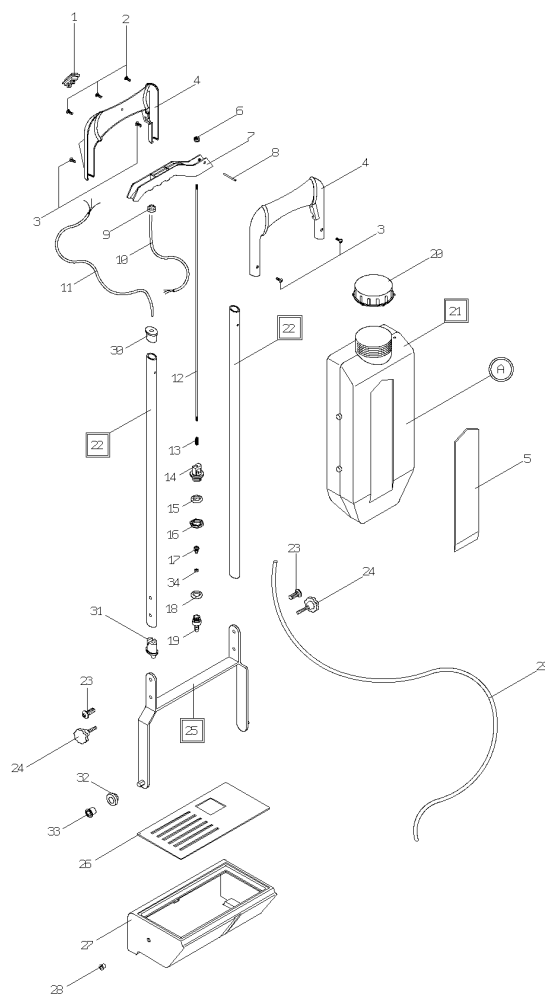
IPC Sverige

Spare Parts List

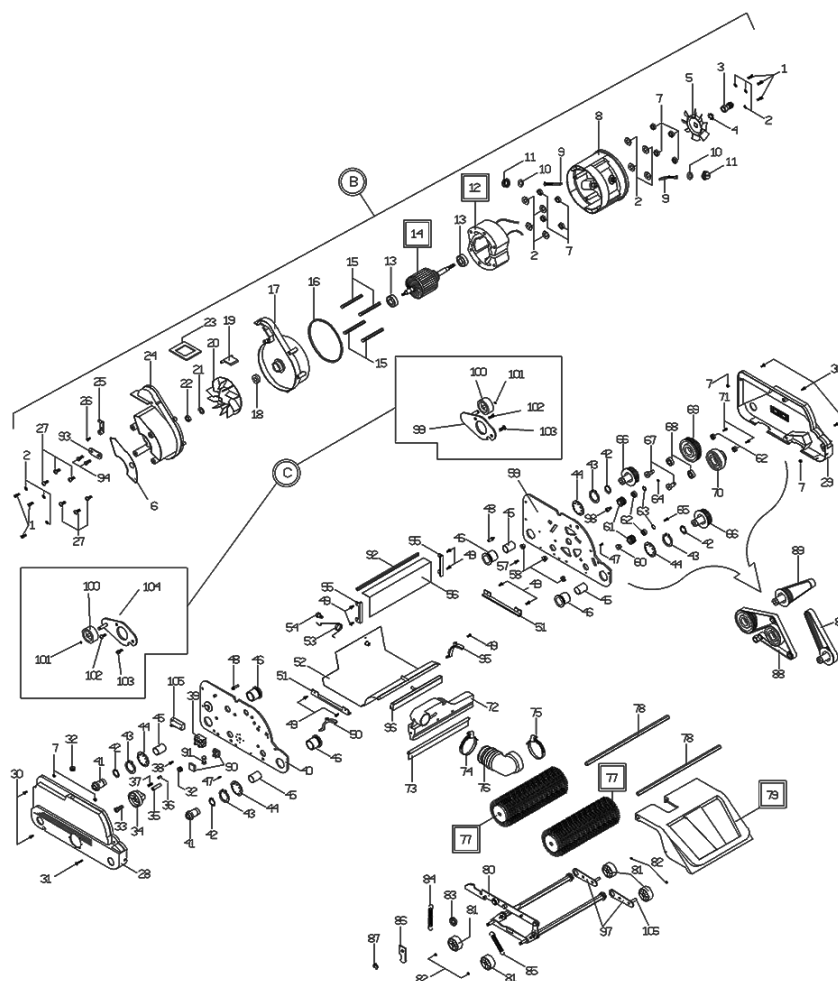
FOMA NORGE AS

Ref: LPTE00012

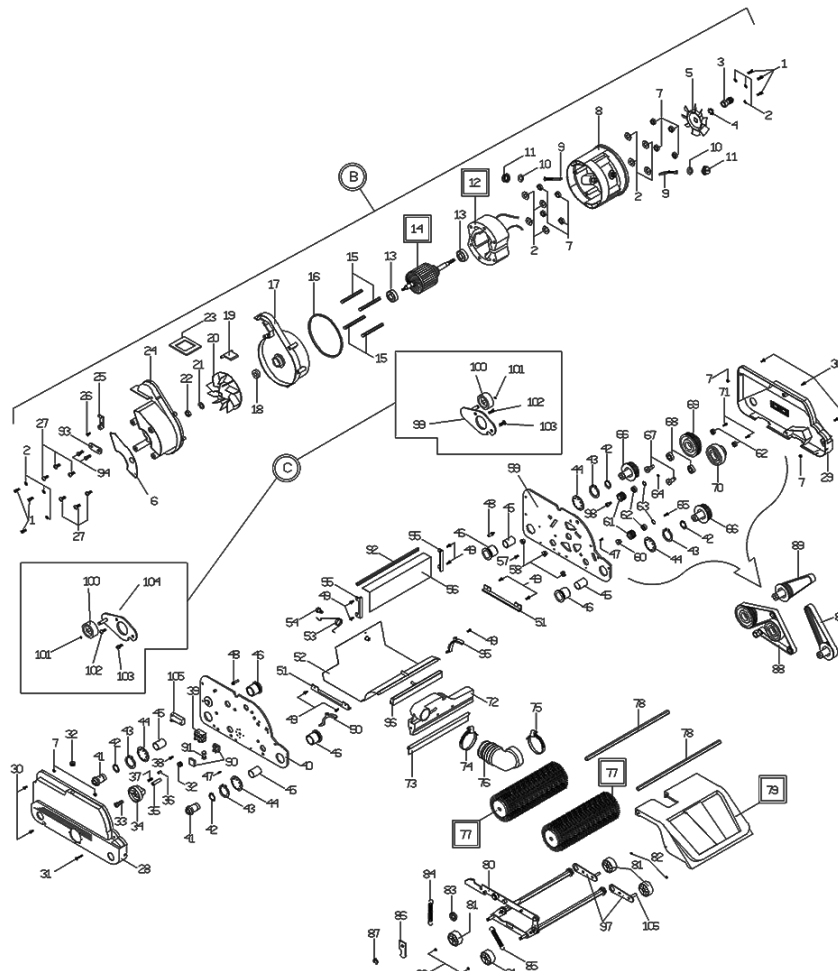
Model: L10 230V NERO/ROSSO



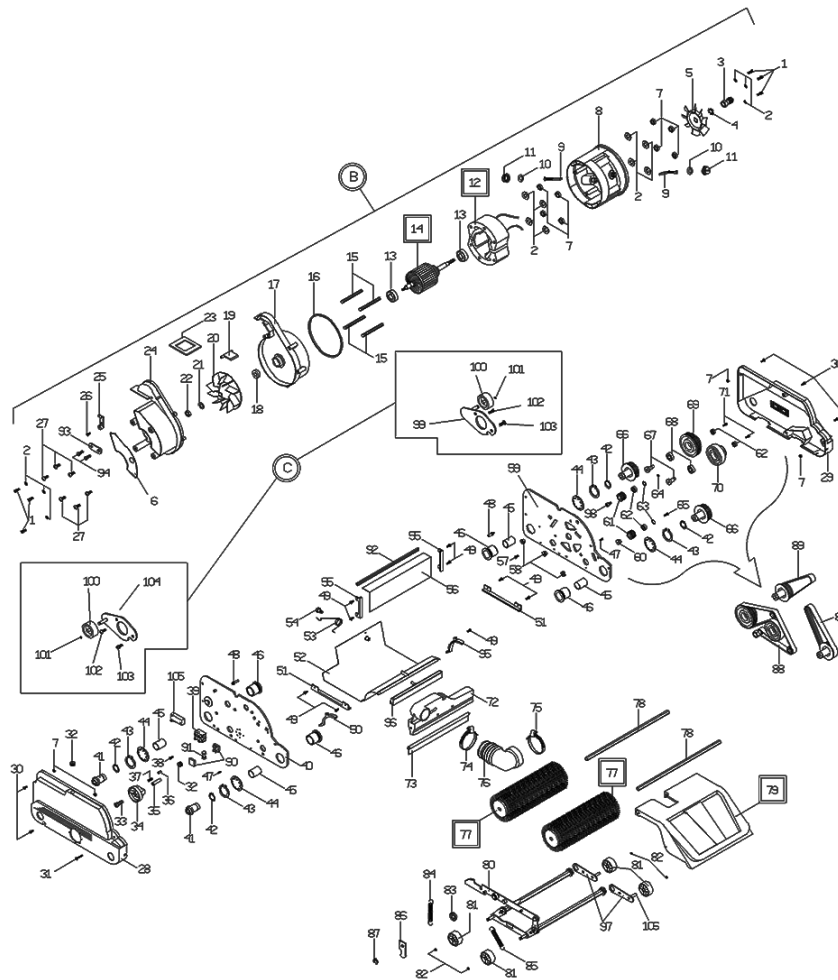
Ref.	K	Part N.	Customer Part N.	Description	Qty	Validity:		Price
						From	To	
0001		MECI00024		SWITCH BIPOLARE LUMINOSO+CAPPUC.	1,00		01/2003	--
0001		MECI75810		SWITCH BIP. 250V RD.	1,00			--
0002		VTVT00079		SCREW AUTOF.TC UNI6954 3,9X22	3,00			--
0003		VTVT00040		SCREW AUTOF.TC UNI6954 3,5X10SP	4,00			--
0004		MPVR00786		HANDLE L10 ROSSA	1,00			--
0005		ETET00119		LABEL SERBATOIO L10	1,00			--
0006		LAFN00280		NUT ASTINA SERBATOIO L10	1,00			--
0007		MPVR00783		LEVER COMANDO ACQUA L10	1,00			--
0008		LAFN00546		PIN X LEVA COMAN.ACQUA D.4X28	1,00			--
0009		MEVR00117		FAIR-LEAD L 10	1,00			--
000A		PMVR00300		TANK NERO COMPLETO L10	1,00			--
0010		MECB00109		CABLE ALIMENTAZ.+SPINA TED.L 10	1,00			--
0011		MECB00102		CABLE ALIMENTAZ.MOTORE L10	1,00			--
0012		LAFN85614		CONTOLE ROD TERSY 10 TK21002001	1,00			--
0013		MLML85611		SPRING TERSY 10 TK22052001	1,00			--
0014		RCVR85612		CONNECTOR TERSY 10 TK22552001	1,00			--
0015		GUGO01054		O-RING D. 15.08 X 2.62 NBR 70SH	1,00			--
0016		VTDD00018		NUT SERBATOIO L10	1,00			--
0017		LAFN85613		PIN TERSY 10 TK22302001	1,00			--
0018		GUGO63445		O-RING D. 10.78 X 2.62 NBR 70SH	1,00			--
0019		LAFN00639		INSERT PORTAGOMMA L10	1,00			--
0020		MPVR00391		CAP PER SERBATOIO L10	1,00			--
0021		MPVR00389		TANK ACQUA L10 NERO	1,00			--
0022		LAFN01041		TUBE MANICO NERO L10	2,00			--
0023		VTVT75725		SCREW TBEI M 6X 10 ISO 7380 ZB	2,00			--
0024		VTVR00037		HANDWHEEL D.30 M6X10	2,00			--
0025		LAFN00856		SUPPORT MANICO NERO L 10	1,00			--
0026		LAFN86950		COOLING GRILL VASCHETTA ACQUA L=10	1,00			--
0027		MPVR00395		TANK NERA	1,00			--
0028		MPVR00392		CAP VASCHET.RECUPERO ACQUA	1,00			--
0029		TBBP00030		TUBE ACQUA L10	1,00			--
0030		MPVR00814		CAP PASSACAVO SUPERIORE	1,00			--
0031		MPVR00815		CAP PASSACAVO FERMO MANICO	1,00			--
0032		LAFN00167		BUSHING SUPPORTO MANICO L10	1,00			--
0033		MPVR00082		BUSHING ESAGONALE PLASTICA L10	1,00			--
0034		GUVR00021		RUBBER TENUTA ASTA SERBATOIO L10	1,00			--



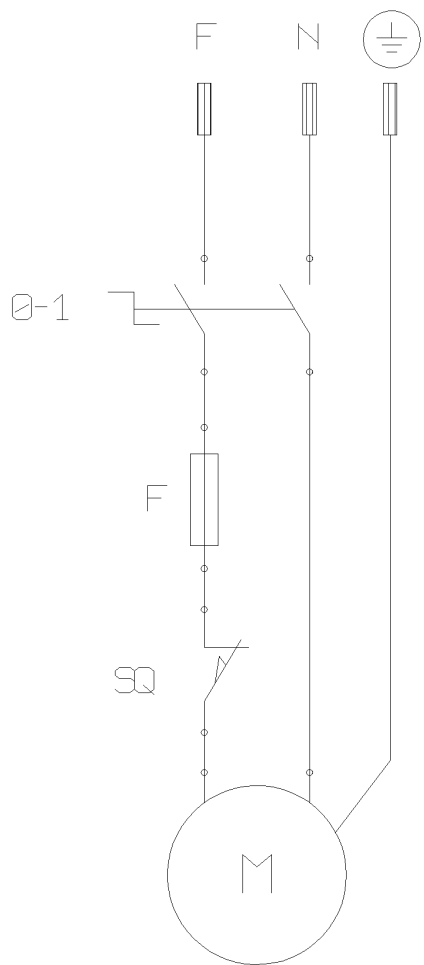
Ref.	K	Part N.	Customer Part N.	Description	Qty	Validity:		Price
						From	To	
0001		VTVT00065		SCREW TCCE UNI 5931 5X16 ZB	6,00			--
0002		VTRS00010		WASHER UNI 6592 5X10 ZB	14,00			--
0003		MTPL00026		PULLEY ALBERO MOTORE L10	1,00			--
0004		VTRS00520		WASHER D.12	1,00			--
0005		VEVR00002		IMPELLER RAFFREDDAMENTO L10	1,00			--
0006		GUGO00048		GASKET MOTORE ESTERNA L 10	1,00			--
0007		VTDD00003		NUT UNI 5588 M5 ZB	13,00			--
0008		MEVR76747		DOOR CARBONCINI	1,00			--
0009		MOC000025		CARBON MOTORE ELETTRICO L10	2,00			--
000B		PMQE00032		MOTOR ELETTRICO -220V-COMPL.L10	1,00			--
000C		KTRI00134		KIT WHELL DI TRASCINAMENTO L10	1,00			--
0010		GUGO00049		GASKET TAPPO L 10	2,00			--
0011		MPVR86589		CAP PORTACARBONCINI MOT.L10	2,00			--
0012		MOST76071		EL.MOT. STATOR MOTORE TERSY 10	1,00			--
0013		CUVR00003		BEARING 6201 2RS	2,00			--
0014		MOMO00008		MOTOR INDOTTO	1,00			--
0015		LAFN00547		PIN X TIRANTE MOTORE L 10	4,00			--
0016		GUVR76757		GASKET INTERNA MOTORE L10	1,00			--
0017		MPVR76748		CLOSURE MOTORE	1,00			--
0018		GUVR00006		PACKING DIN 3760 12X24X7 TCV-VIT	1,00			--
0019		MPVR76749		CLOSURE ASPIRAZIONE	1,00			--
0020		VEVR76743		IMPELLER ASPIRAZIONE	1,00			--
0021		VTRS00025		WASHER GROWER UNI 1751 6X11 ZB	1,00			--
0022		VTDD00004		NUT M 6 ZC UNI5588	1,00			--
0023		GUVR76758		GASKET VASCHETTA L10	1,00			--
0024		MPVR76750		PUMP COVER ASPIRAZ.TERSY TK21202007	1,00			--
0025		LAFN75954		LEVER	1,00			--
0026		VTVT15530		SCREW TCB-TC 2.9X13 UNI6954	1,00			--
0027		VTVT63007		SCREW TCCR 4,8X25	6,00			--
0028		MPVR00409		CRANKCASE DESTRO NERO L10	1,00			--
0029		MPVR00412		CRANKCASE SINISTRO NERO L10	1,00			--
0030		VTVT00058		SCREW TCEI M 5X12 ZB U.5931	5,00			--
0031		VTVT00083		SCREW TSCE UNI 5933 4X16 ZB	1,00			--
0032		MEVR00119		RUBBER PASSACAVO 15X8X10	2,00			--
0033		VTVT00084		SCREW TCCE UNI 5931 5X50 ZB	1,00			--
0034		VTVR75772		SMALL KNOB	1,00			--
0035		LAFN00170		BUSHING REGOLAZIONE ALTEZZA L10	1,00			--
0036		LAFN00547		PIN X TIRANTE MOTORE L 10	1,00			--
0037		MLML75965		SPRING H.22 TERSY10	1,00			--



Ref.	K	Part N.	Customer Part N.	Description	Qty	Validity:		Price
						From	To	
0038		VTVT00088		SCREW AUTOF.TC UNI 6954 2,9X16	1,00			--
0039		MEVR00004		CONNECTOR 1 POLO 4 MMQ	2,00			--
0040		MFVR49486		BODY SIDE L10 DX ALL.	1,00			--
0041		LAFN00168		BUSHING X PERNO SPAZZOLA L10	2,00			--
0042		CUVR00001		RING WR 20A	4,00			--
0043		VTAE12644		CIRCLIP D. 30 UNI 7435	4,00			--
0044		VTRS85922		WASHER D.46 TK1105771	4,00			--
0045		LAFN00181		BUSHING X FIANCATA+SINTERIZZATA	4,00			--
0046		LAFN00181		BUSHING X FIANCATA+SINTERIZZATA	4,00			--
0047		VTVT00086		GRUB SCREW UNI 5927 5X10 CON PUNTA	2,00			--
0048		LAFN00548		PIN SUPPORTO VASCHETTA L 10	2,00			--
0049		VTVT00081		SCREW TSCE UNI 5933 4X8 ZB	9,00			--
0050		LAFN76762		SUPPORT LAMIERA CURVO	1,00			--
0051		LAFN76763		SUPPORT INFERIORE LAMIERA	2,00			--
0052		LAFN76765		SHEET METAL PA.INFERIORE	1,00			--
0053		MLML85187		SPRING TERSY 10 22052002	1,00			--
0054		LAFN85183		PIN TERSY 10 22302005	1,00			--
0055		MPVR00805		SUPPORT LAMIERA POSTERIORE L10	2,00			--
0056		LAFN00913		SHEET METAL PA.POSTERIORE INOX L10	1,00			--
0057		VTVT08939		SCREW M 5X10 TSPEI ZINC. UNI	1,00			--
0058		LAFN00339		RING NUT DI FISSAGGIO L 10	3,00			--
0059		MFVR49487		BODY SIDE L10 SX ALL.	1,00			--
0060		LAFN00549		PIN PULEGG.TENDICINGHIA L 10	1,00			--
0061		MTPL00027		PULLEY TENDICINGHIA L10	2,00			--
0062		CUVR00014		BEARING 625 2Z -MARCA-	4,00			--
0063		VTAE87278		SEEGER ESTERNO DIN 471 D.17	2,00			--
0064		VTAE00011		SEEGER ESTERNO DIN 471 D.5	1,00			--
0065		VTVT19236		SCREW TCEI 5X20 UNI 5931	1,00			--
0066		MTPL00024		PULLEY RIGATA MOVIM. SPAZZ. L10	2,00			--
0067		LAFN00171		SPACER PER PULEGGE L10	2,00			--
0068		CUVR00013		BEARING 629 2RS -MARCA-	2,00			--
0069		MTPL76000		PULLEY L10	1,00			--
0070		MTPL00025		PULLEY PICCOLA LISCIA L10 ALLUM	1,00			--
0071		VTVT00080		SCREW TCCE UNI 5931 5X40 ZB	2,00			--
0072		MPVR75872		VAT L10	1,00			--
0073		TBBP75939		RUBBER ASPIRAZIONE	1,00			--
0074		FSVR00004		CLAMP 32-50 B5	1,00			--
0075		FSVR62782		CLAMP 6B D.40-60	1,00			--
0076		MPVR00785		SLEEVE IN GOMMA L10	1,00			--



Ref.	K	Part N.	Customer Part N.	Description	Qty	Validity:		Price
						From	To	
0077		SPPV75796		BRUSH	2,00			--
0078		LAFN86107		PIN TERSY 10 TK22302007	2,00			--
0079		MPVR00406		HOOD SUPERIORE L10 ROSSO	1,00			--
0080		PMVR00005		TROLLEY L10	1,00			--
0081		RTRT76001		WHEEL d.40x17	4,00			--
0082		VTAE13935		CIRCLIP D. 7 UNI 7435	4,00			--
0083		MPVR00082		BUSHING ESAGONALE PLASTICA L10	1,00			--
0084		MLML86565		SPRING SGANCIO CARRELLO L10	1,00			--
0085		MLML00030		SPRING SUPPORTO CARRELLO L10	1,00			--
0086		LAFN00361		LEVER SGANCIO MANICO L10	1,00			--
0087		VTAE00012		SEEGER RADIALE UNI 7434 D.10	1,00			--
0088		MTCG75778		BELT MULTIGRIP P2	1,00			--
0089		MTCG75779		BELT POLY-V J5 150	2,00			--
0090		MEVR85961		FUSE-HOLDER L 10 TK13802010	1,00			--
0091		MEVR00118		FUSE 4A 250V 5X20	1,00			--
0092		PMVR00298		PROTECTION LAMIERA POSTERIORE	1,00			--
0093		LAFN76751		REINFORCEMENT LEVA CHIUSURA	1,00			--
0094		VTVT15530		SCREW TCB-TC 2.9X13 UNI6954	1,00			--
0095		LAFN76764		SUPPORT LAMIERA CURVO	1,00			--
0096		MPVR00390		DIFFUSER ACQUA	1,00			--
0097		LAFN00367		CONNECTING ROD X CARRELLO L10 ZINCATA	2,00			--
0098		LAFN00549		PIN PULEGG.TENDICINGHIA L 10	1,00			--
0099		LAFN00867		SUPPORT SX RUOTA TRASC.+PERNO L10	1,00			--
0100		RTRT00012		WHEEL SCIOLTA 75/M/G	2,00			--
0101		VTAE00003		SEEGER RADIALE TIPO H UNI7434 D8	2,00			--
0102		VTVT76616		SCREW M 4x18 STEAM GUN	2,00			--
0103		VTVT00058		SCREW TCEI M 5X12 ZB U.5931	2,00			--
0104		LAFN00868		SUPPORT DX RUOTA TRASC.+PERNO L10	1,00			--
0105		MECI44780		MICROSWITCH D2VW-5L2A-1M OMR	1,00			--
0106		LAFN00556		WHEEL PIN	1,00			--



0-1 Interruttore/Switch
 F Fusibile/Fuse
 M Motore/Motor
 SQ Micro/Microswitch

Ref.	K	Part N.	Customer Part N.	Description	Qty	Validity:		Price
						From	To	
000F		MEVR85961		FUSE-HOLDER L 10 TK13802010	1,00			--
00SQ		MECI44780		MICROSWITCH D2VW-5L2A-1M OMR	1,00			--