

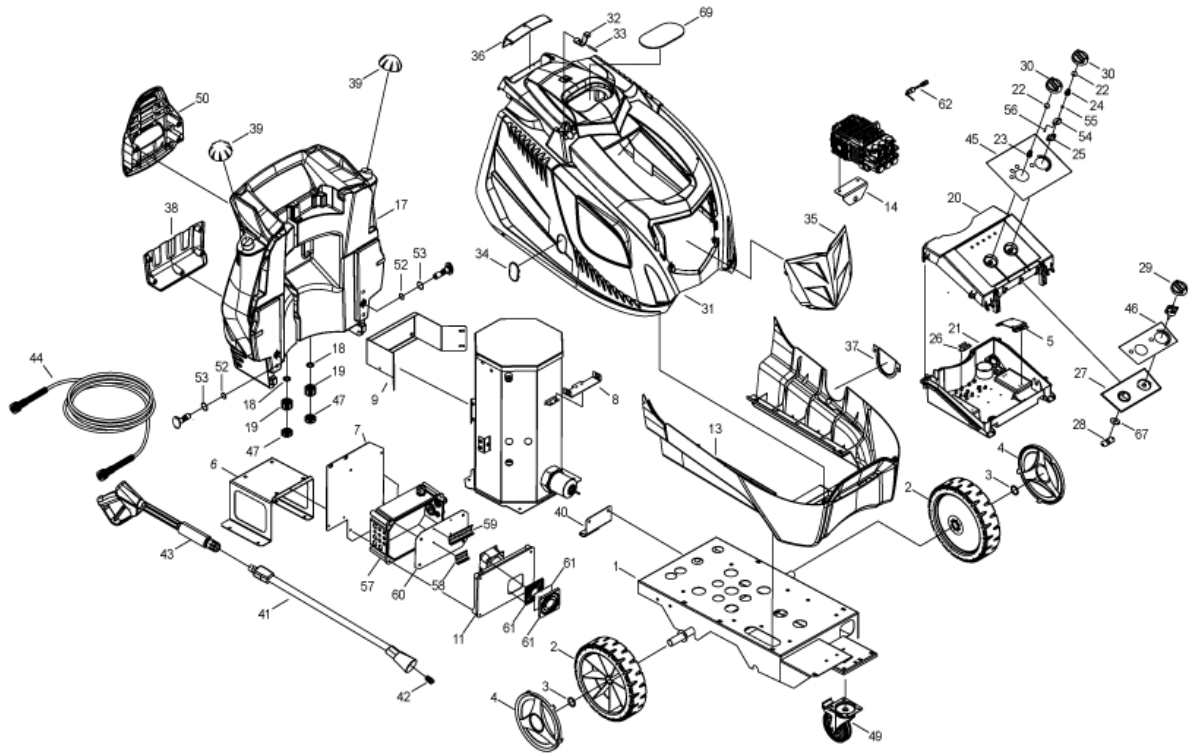


IPC

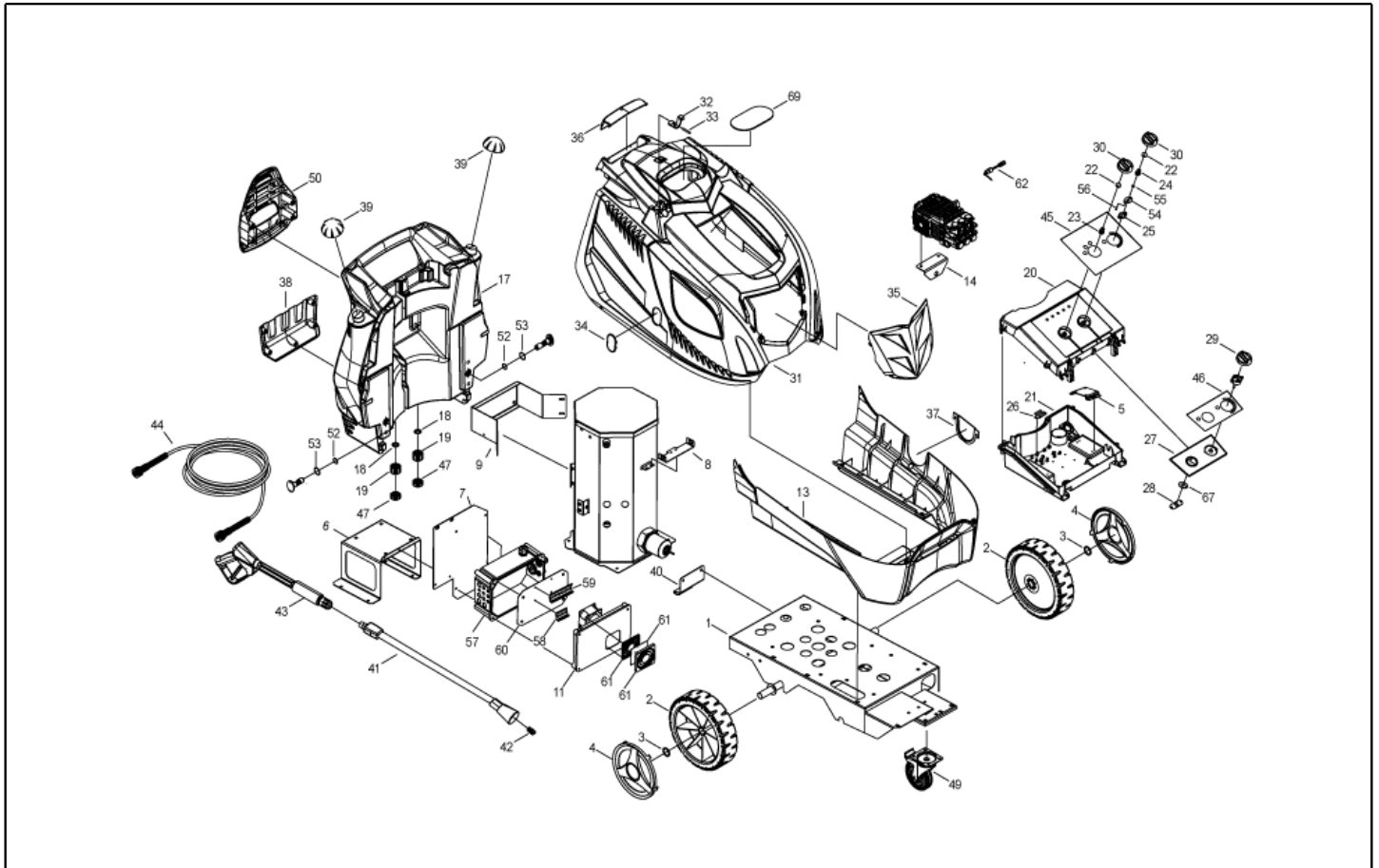
Spare parts list

Ref: IDAC41123

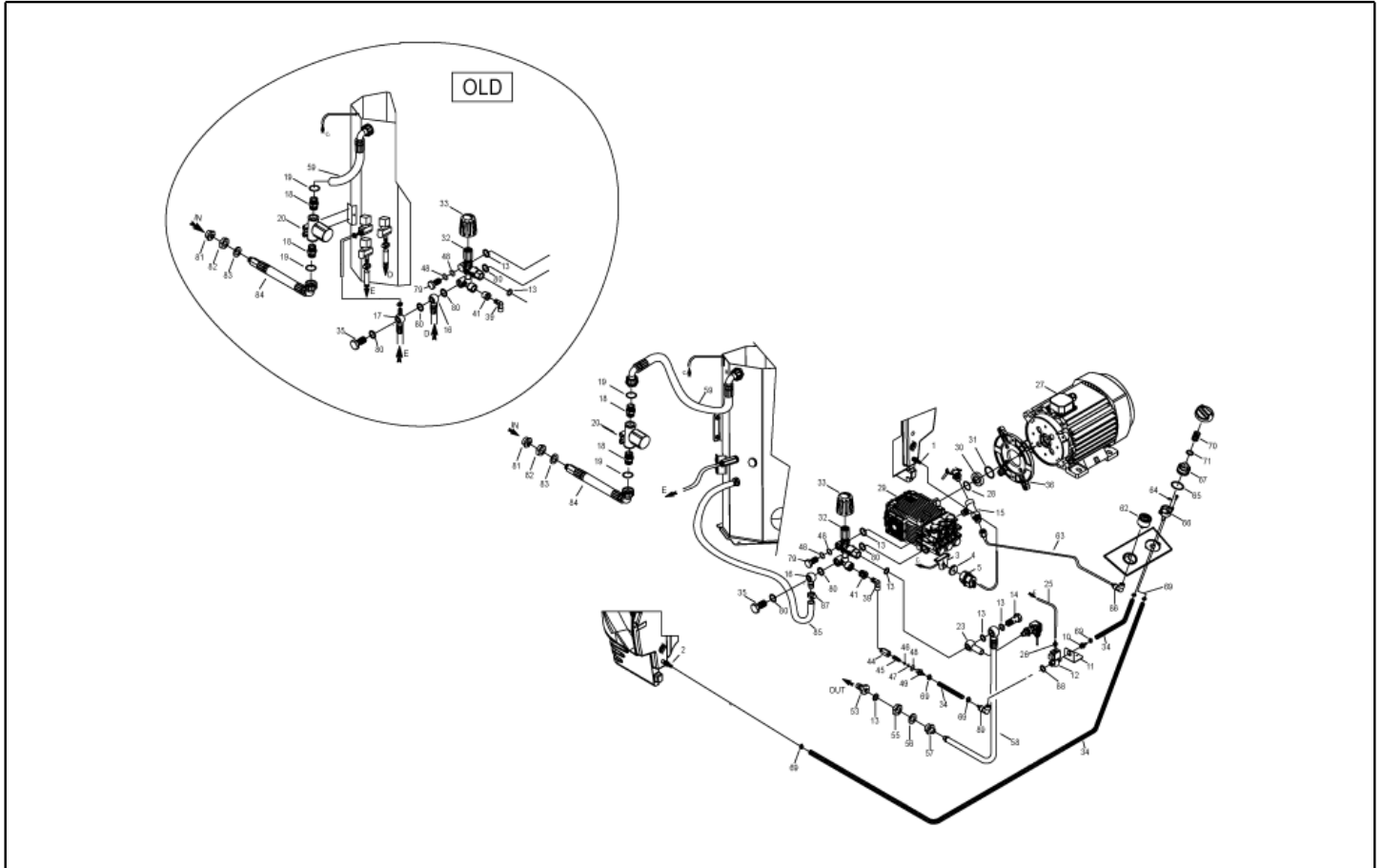
Model: H.P. CLEANER PW-E100 D1712P36 T400/50



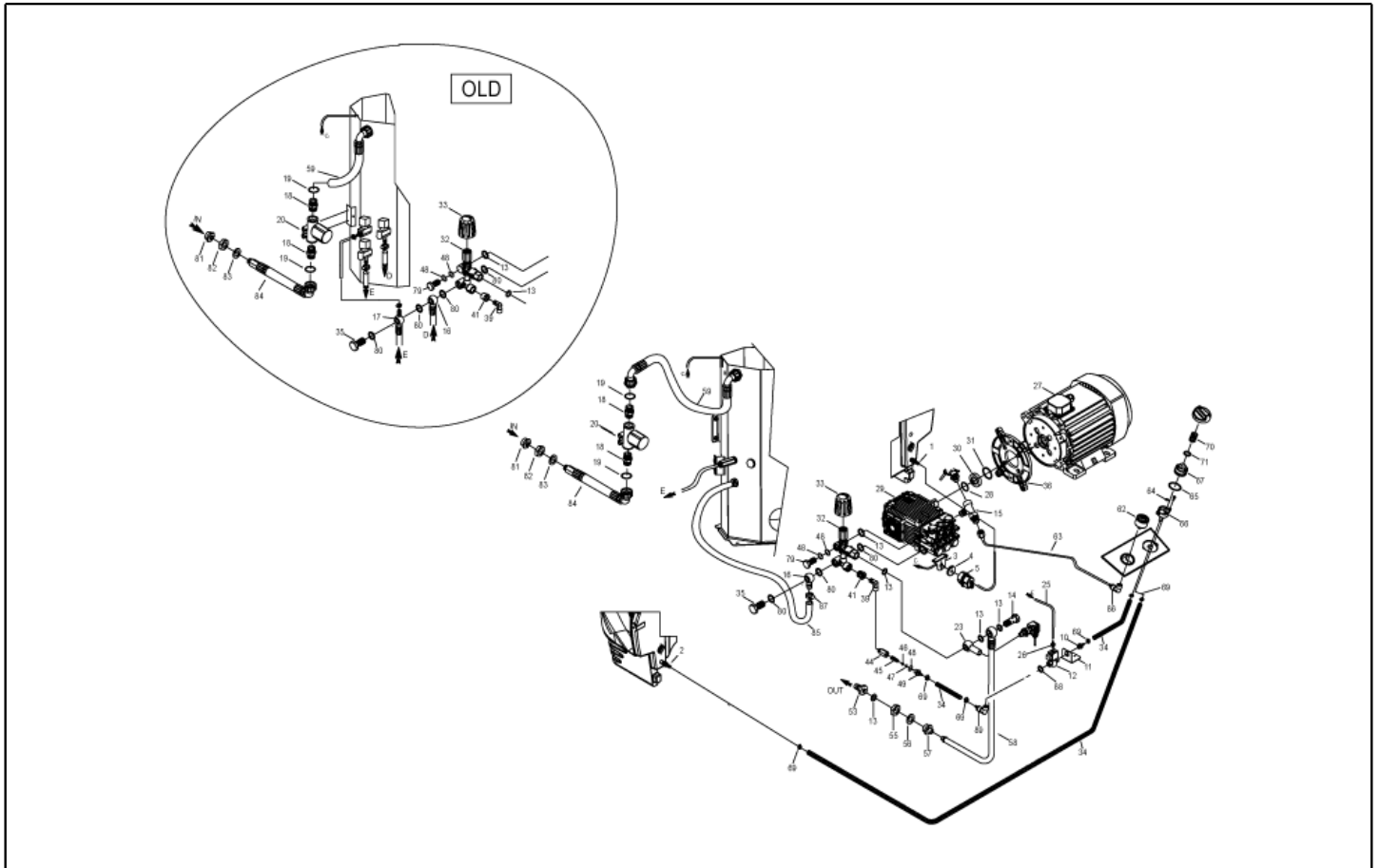
| Ref. K | Part n. | Part n. 2 | Description | Quantity | Validity | | Price |
|--------|-----------|-----------|------------------------------------|----------|------------|------------|-------|
| | | | | | From | To | |
| 0001 | LAFN41131 | | TROLLEY PW-E100/3W BK. | 1,00 | | | -- |
| 0002 | RTRT40021 | | WHEEL D.300-D.25 RES A.TR. | 2,00 | | | -- |
| 0003 | VTRS09813 | | WASHER D.25 | 2,00 | | | -- |
| 0004 | MPVR40782 | | HUB CAP D.50 G-48/IPC BK. | 2,00 | | | -- |
| 0005 | LAFN41165 | | SUPPORT BRACKET PW-E100 ZC. | 1,00 | | | -- |
| 0006 | LAFN41133 | | MOTOR SUPPORT PW-E100 ZC. | 1,00 | | 31/08/2019 | -- |
| 0006 | LAFN41190 | | MOTOR SUPPORT PW-E100/7.5 ZC. | 1,00 | 01/09/2019 | | -- |
| 0007 | LAFN41134 | | SUPPORT PW-H100 AN.ZC. | 1,00 | | 31/08/2019 | -- |
| 0007 | LAFN41189 | | SUPPORT PW-H100 AN.7.5 ZC. | 1,00 | 01/09/2019 | 30/11/2019 | -- |
| 0007 | LAFN41217 | | SUPPORT PW-H100 AN.36kW ZC. | 1,00 | 01/12/2019 | | -- |
| 0008 | LAFN41173 | | BRACKET PW-E100 ZC. | 1,00 | | | -- |
| 0009 | LAFN41171 | | BRACKET PW-E100 ZC | 1,00 | | | -- |
| 0010 | GUVR00408 | | EDGE H=14 | 0,22 | 01/07/2020 | | -- |
| 0011 | GUVR71755 | | GASKET QUADRO EL.SK | 1,00 | | 30/11/2019 | -- |
| 0011 | MEVR71753 | | COVER NICO | 1,00 | | 30/11/2019 | -- |
| 0013 | MPVR40774 | | BLACK COVER PW-H100 INF.PP | 1,00 | | | -- |
| 0014 | LAFN41172 | | SUPPORT A.CALC. PW-E100 ZC | 1,00 | | | -- |
| 0017 | MPVR40989 | | TANK PW-E100 PEHD BK. | 1,00 | | | -- |
| 0018 | GUGO11489 | | GASKET D.22X1,5 | 2,00 | | | -- |
| 0019 | PVVR11806 | | DISCHARGE CAP FLL | 2,00 | | | -- |
| 0020 | MPVR40540 | | BOX COVER PW-H35 ABS BK. | 1,00 | | | -- |
| 0021 | MPVR41015 | | CONTROL BOX PW-E100 C/F.Fs.ABS BK. | 1,00 | | | -- |
| 0022 | GUGO25527 | | O-RING D. 14 X 3 NBR 70SH | 2,00 | | | -- |
| 0023 | MPVR23482 | | SWITCH TANG TEC. TUV | 1,00 | | | -- |
| 0024 | MPVR40843 | | TAIL PIECE THERM.PW-H PL. | 1,00 | 01/11/2016 | | -- |
| 0025 | MPVR41903 | | THICKNESS TERM.IM.PA66 | 1,00 | | | -- |
| 0026 | LAFN46067 | | SUPPORT L.60 P176 | 1,00 | | | -- |
| 0027 | MPVR40542 | | ANT. PANEL PW-H35 ABS BK. | 1,00 | 01/12/2019 | | -- |
| 0028 | LAFN40922 | | JUNCTION BOARD PW-H35 D.14 ZC. | 1,00 | 01/12/2019 | | -- |
| 0029 | MPVR13685 | | BLACK KNOB PRT-AC | 1,00 | | | -- |
| 0030 | MPVR49057 | | BLACK KNOB P176-M.RACE PA6 | 2,00 | | | -- |
| 0031 | MPVR40763 | | GREEN COVER PW-H100 SUP.PP GR.368C | 1,00 | | | -- |
| 0032 | MPVR40485 | | RUBBER PW-H35 15-20BK. | 1,00 | | | -- |
| 0033 | MPVR40534 | | PIN PW-H35 PP BK. | 2,00 | | | -- |
| 0034 | MPVR40539 | | DOOR PW-H35 PPL NT. | 1,00 | | | -- |
| 0035 | MPVR40764 | | DOOR PW-H100 PPL BK. | 1,00 | | | -- |
| 0036 | MPVR40765 | | DOOR PW-H100 PT.PPL BK. | 1,00 | | | -- |
| 0037 | MPVR40532 | | DOOR PW-H35 PPL BK.INF. | 1,00 | | | -- |
| 0038 | MPVR40533 | | TOOL HOLDER PW-H35 PP BK. | 1,00 | | | -- |
| 0039 | MPVR40187 | | TANK CAP P215 PEHD C/F. | 2,00 | | | -- |
| 0040 | LAFN40609 | | FOOT PW-H35/4W | 1,00 | | | -- |
| 0041 | LCPR40087 | | EXTENSION P 70 -P20.IX700 M22 M | 1,00 | | | -- |
| 0042 | UGLN49986 | | NOZZLE LECH 1/4 1504 | 1,00 | | | -- |
| 0043 | IPPR40025 | | GRIP G 6000+P.330 +M22 SW.M 2V | 1,00 | | | -- |



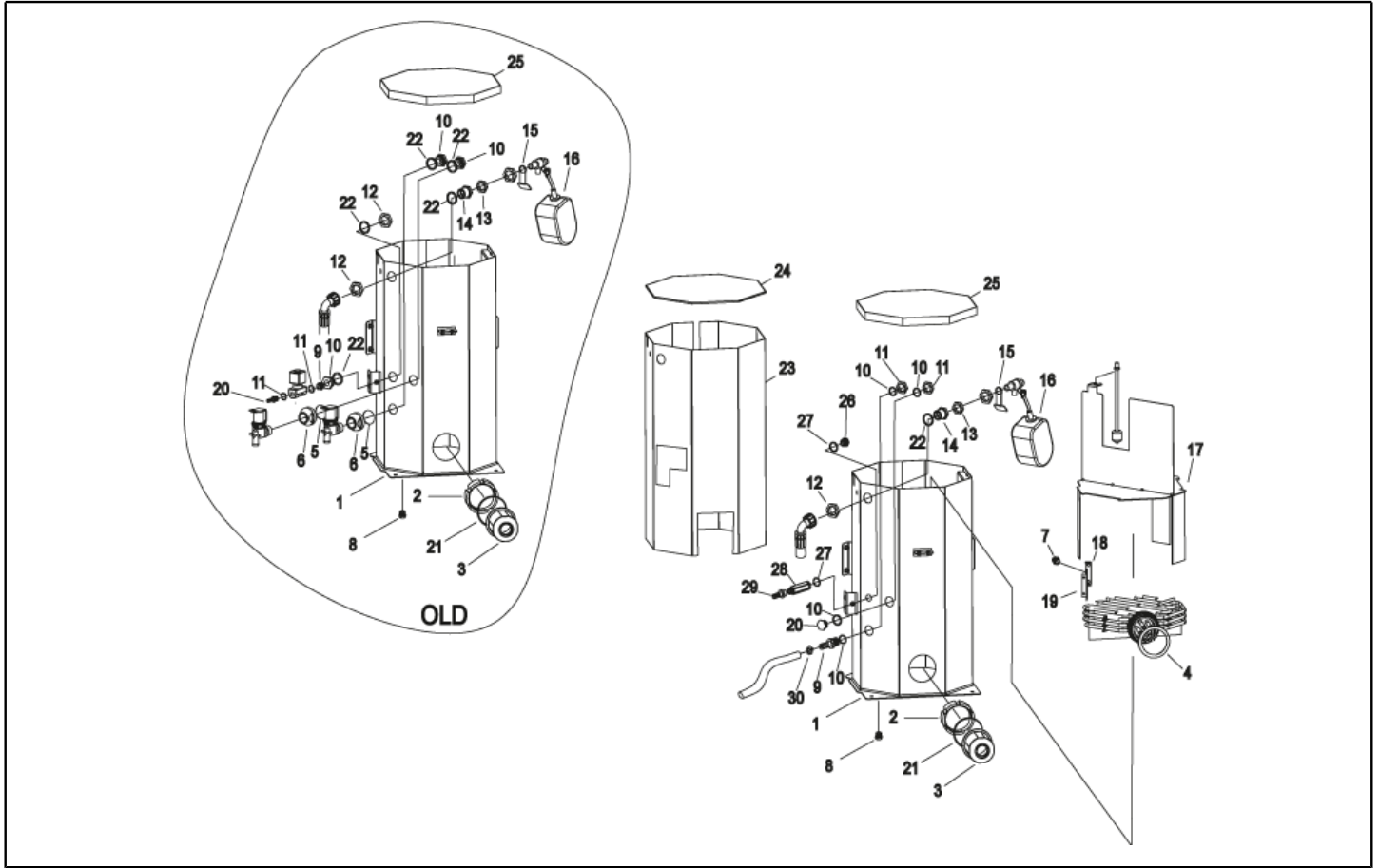
| Ref. K | Part n. | Part n. 2 | Description | Quantity | Validity | | Price |
|--------|-----------|-----------|--------------------------------------|----------|------------|------------|-------|
| | | | | | From | To | |
| 0044 | TBAP40237 | | H.P. HOSE R1 MT 10 1/4" C/2 IRV AM | 1,00 | | | -- |
| 0045 | ETET41363 | | LABEL PW-E100 ELETT. | 1,00 | | 31/01/2020 | -- |
| 0045 | ETET41424 | | LABEL PW-E100 ELETT.2V. | 1,00 | 01/02/2020 | | -- |
| 0046 | ETET40767 | | LABEL PW-H100 IDR. | 1,00 | | | -- |
| 0047 | MPVR20187 | | RING NUT M 39 X 3 | 2,00 | | | -- |
| 0049 | RTRT40024 | | TURNING WHEEL D.125 P. A.TR/M.PLS | 1,00 | | | -- |
| 0050 | MPVR40701 | | HOSE SUPPORT PW-H35 PP BK. | 1,00 | | | -- |
| 0052 | GUGO01056 | | O-RING D. 18.72 X 2.62 NBR 70SH | 2,00 | | | -- |
| 0053 | GUGO01197 | | O-RING D. 22.22 X 2.62 NBR 70SH | 2,00 | | | -- |
| 0054 | LAFN40763 | | PLATE PW-H28 POT. IX | 1,00 | | | -- |
| 0055 | LAFN40916 | | BUSHING D. 6- 9 L= 8 BZ.SINT. | 1,00 | 01/11/2016 | | -- |
| 0056 | VTVR40014 | | PIN CH. 7 X 10 M4M/M4F NIK. | 2,00 | | | -- |
| 0057 | MEVR40274 | | BOX NICO PW-E100/36 | 1,00 | | 30/11/2019 | -- |
| 0057 | MEVR40284 | | CONTROL BOX GER. 310X240X120 PW-E100 | 1,00 | 01/12/2019 | | -- |
| 0058 | LAFN41219 | | SUPPORT L.190 PW-E36 kW | 1,00 | 01/12/2019 | | -- |
| 0058 | LAFN46067 | | SUPPORT L.60 P176 | 1,00 | | 30/11/2019 | -- |
| 0059 | LAFN41148 | | SUPPORT L.148 PW-E100 | 1,00 | 30/11/2019 | | -- |
| 0060 | LAFN41147 | | PLATE PW-E100 ZC. | 1,00 | | 30/11/2019 | -- |
| 0060 | LAFN41218 | | PLATE PW-E100 36kW ZC. | 1,00 | 01/12/2019 | | -- |
| 0061 | FTDP40023 | | AIR FILTER 80X80X10 PAM | 1,00 | 01/12/2019 | | -- |
| 0067 | LAFN40921 | | PLATE PW-H35 D.14 ZC. | 1,00 | 01/12/2019 | | -- |
| 0069 | MPVR40996 | | PLUGGING PW-E100 ABS.BK | 1,00 | | | -- |



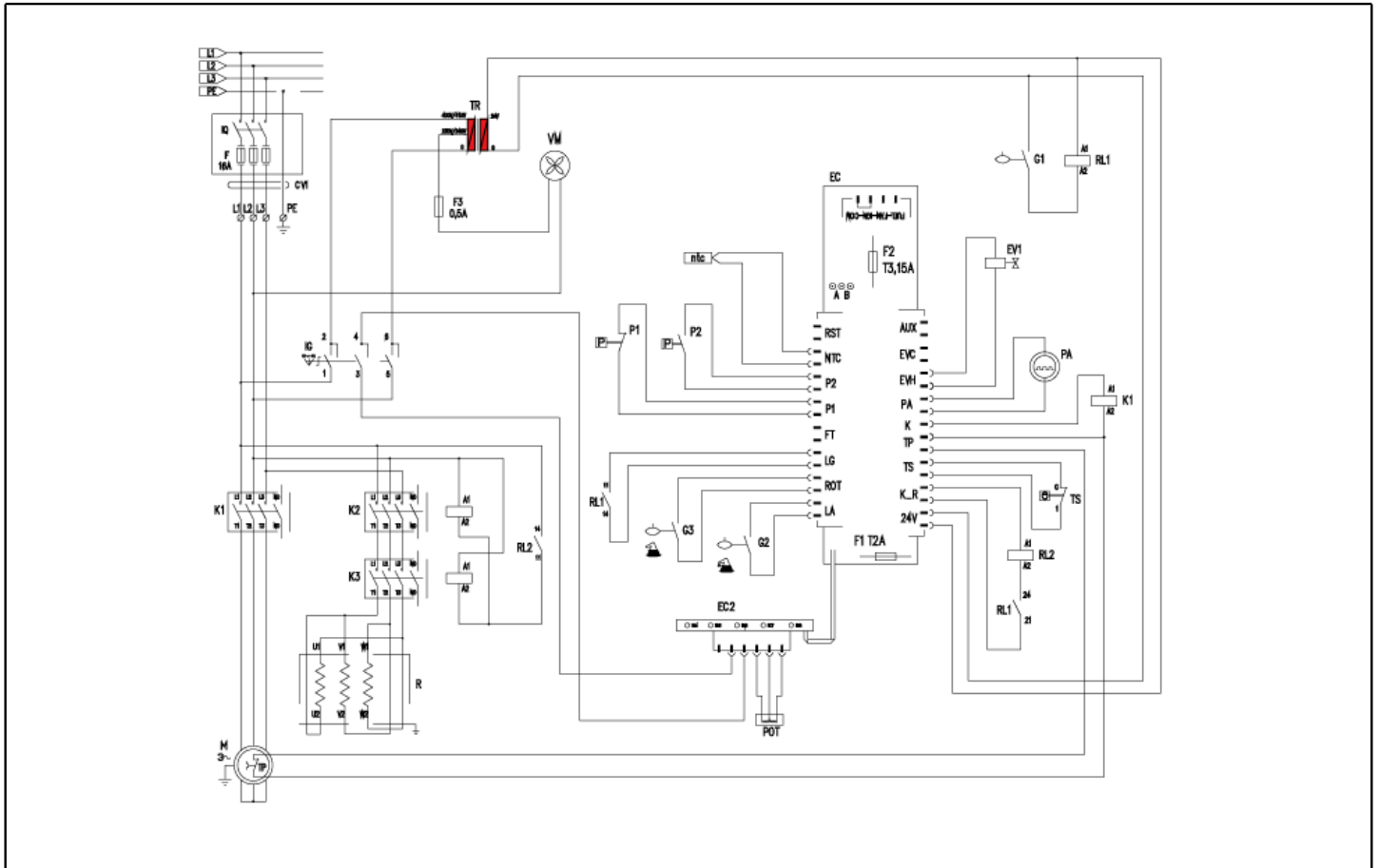
| Ref. K | Part n. | Part n. 2 | Description | Quantity | Validity | | Price |
|--------|-----------|-----------|---|----------|------------|------------|-------|
| | | | | | From | To | |
| 0001 | RCVR40210 | | BI-CONE CONNEC. DTT 1/8" M CL D. 4/ 7 INX | 1,00 | | | -- |
| 0002 | RCVR40113 | | HOSE FITTING 1/8 M D. 5- 7 NIK | 1,00 | | | -- |
| 0010 | RCDS00626 | | HOSE FITTING 1/4 M D. 5- 7 | 2,00 | 01/02/2020 | | -- |
| 0011 | LAFN41220 | | BRACKET PW-E100 ZC. | 1,00 | 01/02/2020 | | -- |
| 0012 | MEEV14389 | | BODY 1/4"SCEM PM139LV | 1,00 | 01/02/2020 | | -- |
| 0013 | VTRS00548 | | WASHER D.17,5X23X1,5 (3/8)RM | 1,00 | | | -- |
| 0013 | VTRS00548 | | WASHER D.17,5X23X1,5 (3/8)RM | 1,00 | | | -- |
| 0013 | VTRS00548 | | WASHER D.17,5X23X1,5 (3/8)RM | 2,00 | | | -- |
| 0014 | RCDS14384 | | SCREW G 3/8 VSP 180 | 1,00 | | | -- |
| 0015 | PVVR40208 | | CAP AR RK C/F. 1/4F+OR | 1,00 | 01/12/2019 | | -- |
| 0015 | RCDS40177 | | CONNECTOR T 3/8M - 1/4 M/F OT. CN. | 1,00 | | 30/11/2019 | -- |
| 0016 | RCDS34666 | | CONNECTOR O. 1/2 - 8.5-16 OT. | 1,00 | | | -- |
| 0017 | RCDS25303 | | CONNECTOR O. 1/2 - 8.5-16+5-7 | 1,00 | | 31/01/2020 | -- |
| 0018 | RCVR40006 | | NIPPLE 3/4 - 3/4 D.18 L=60 PPL | 2,00 | | | -- |
| 0019 | GUGO01043 | | O-RING D. 25.07 X 2.62 NBR 70SH | 2,00 | | | -- |
| 0020 | FTAC40015 | | WATER FILTER 3/4 FF 100MS 55L/1 TC | 1,00 | | | -- |
| 0023 | RCDS40692 | | CONNECTOR O. 3/8 - G1/4F L=28.5 | 1,00 | | | -- |
| 0025 | TBCO06945 | | L.P. HOSE D. 6-12 10BAR C.PRESS | 0,64 | | | -- |
| 0026 | RCDS29082 | | HOSE FITTING 1/8 F D. 7 EL.KS 610 | 1,00 | 01/02/2020 | | -- |
| 0027 | MOTR40020 | | 3PH MOTOR AC HP 6.0 2/440-H100 K.8M | 1,00 | | 31/08/2019 | -- |
| 0027 | MOTR40039 | | 3PH MOTOR 176 HP7.5 23-400/50C RR/K | 1,00 | 01/09/2019 | | -- |
| 0028 | GUGO21337 | | O-RING D. 25.07 X 2.62 VIT 70SH | 1,00 | | | -- |
| 0029 | PPAP40158 | | PUMP RRA 4G.30 DX N C/AC 70° | 1,00 | | | -- |
| 0030 | RCDS25578 | | BUSHING IP WW141 OT. | 1,00 | | | -- |
| 0031 | GUGO21339 | | O-RING D. 29.82 X 2.62 VIT 70SH | 1,00 | | | -- |
| 0032 | VVAZ40100 | | VALVE VRF-2 AR-R AC Vit.SI.RG | 1,00 | | | -- |
| 0033 | MPVR40589 | | BLACK KNOB ST 260 IPC | 1,00 | | | -- |
| 0034 | TBBP00051 | | DETERGENT HOSE D. 6-12 | 1,38 | 01/12/2019 | | -- |
| 0034 | TBBP00051 | | DETERGENT HOSE D. 6-12 | 0,67 | 01/12/2019 | | -- |
| 0034 | TBBP00051 | | DETERGENT HOSE D. 6-12 | 1,20 | 01/01/2017 | 30/11/2019 | -- |
| 0034 | TBBP00051 | | DETERGENT HOSE D. 6-12 | 0,77 | 01/01/2017 | 30/11/2019 | -- |
| 0034 | TBBP00051 | | DETERGENT HOSE D. 6-12 | 0,60 | | 31/12/2016 | -- |
| 0035 | RCDS40254 | | SCREW G 1/2 VRF-2 D.11.5 IX | 1,00 | 01/02/2020 | | -- |
| 0035 | RCDS40297 | | SCREW G 1/2 L=97 D.11.5 IX | 1,00 | | 31/01/2020 | -- |
| 0036 | MFVR21309 | | COUNTERFLANGE MEC 90-100-112 | 1,00 | 01/09/2019 | | -- |
| 0039 | RCVR00573 | | ELBOW 1/4" M/F A10 | 1,00 | | | -- |
| 0041 | RCVR02606 | | REDUCTION 1/2-1/4 M/F | 1,00 | | | -- |
| 0044 | RCDS46072 | | VALVE BODY N/R 1/4F-1/4 P176 OT | 1,00 | | | -- |
| 0045 | MLML21505 | | SPRING D. 8 X5 X0.3 | 1,00 | | | -- |
| 0046 | SFVR04274 | | BALL D. 7/32 | 1,00 | | | -- |
| 0047 | GUGO01055 | | O-RING D. 5.28 X 1.78 VIT 70SH | 1,00 | | | -- |
| 0048 | GUGO03510 | | O-RING D. 12.37 X 2.62 NBR 70SH | 2,00 | | | -- |
| 0049 | RCDS10546 | | VALVE SEAT 1/4M + PG. D.3-7.5 OTT | 1,00 | | | -- |
| 0053 | RCIN09348 | | MALE COUPLING 3/8MA L=32 | 1,00 | | | -- |



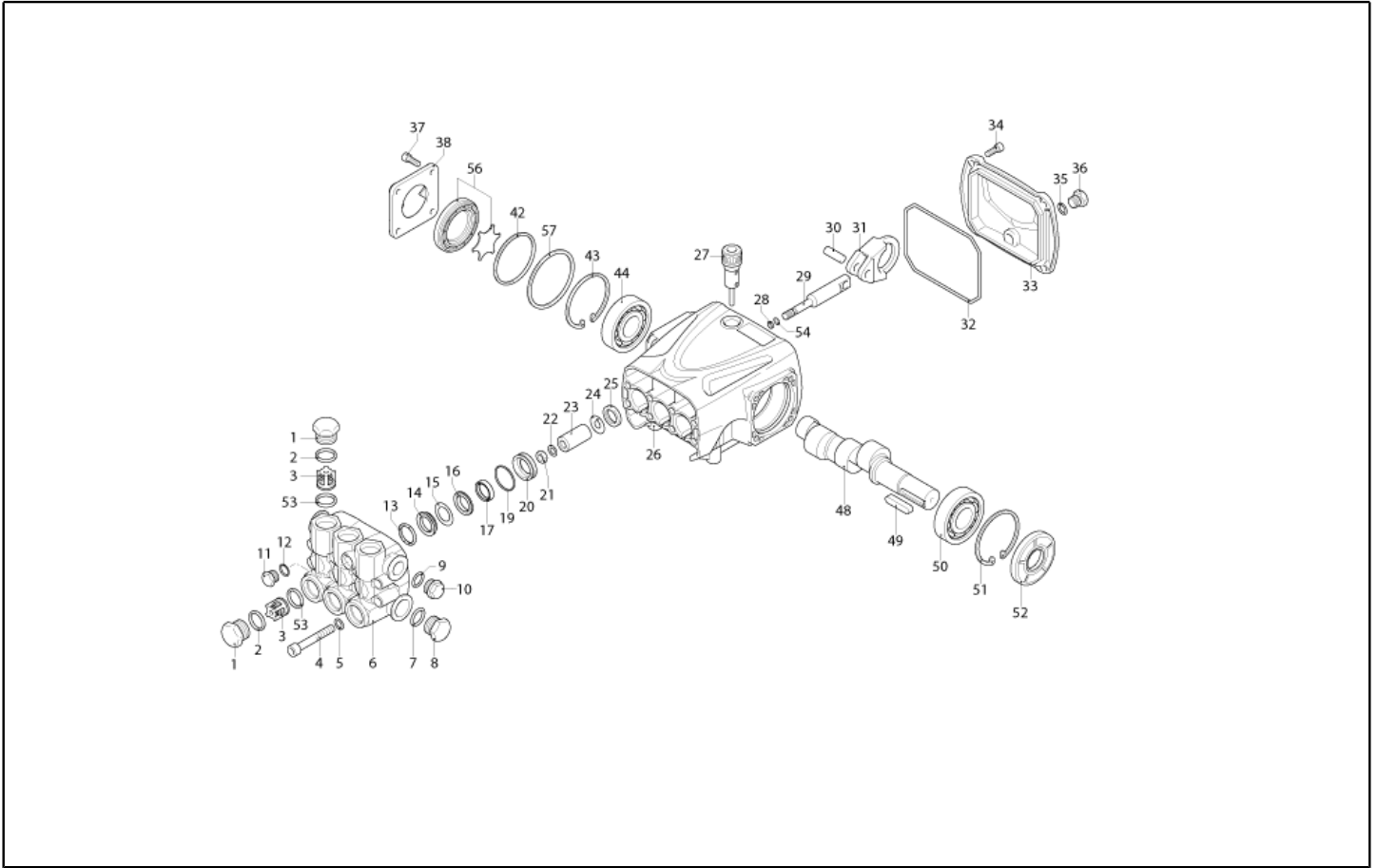
| Ref. K | Part n. | Part n. 2 | Description | Quantity | Validity | | Price |
|--------|-----------|-----------|--|----------|------------|----|-------|
| | | | | | From | To | |
| 0055 | RCVR59738 | | LOCKNUT G 3/4 | 1,00 | | | -- |
| 0056 | VTRS11876 | | WASHER D.27 X34 X1.5 (3/4)COPPER | 1,00 | | | -- |
| 0057 | RCDS40298 | | SLEEVE 3/4-3/8 M-M/F OT. | 1,00 | | | -- |
| 0058 | TBAP40236 | | HOSE-FITTING 5/16 R1 3/8OC. -3/8F 0° | 1,00 | | | -- |
| 0059 | TBBP40149 | | L.P. HOSE L=300 3/4F 0° -3/4F90° | 1,00 | | | -- |
| 0062 | MNMN18650 | | PRESSURE GAUGE 0-300 D.40 | 1,00 | 01/12/2019 | | -- |
| 0063 | TBAP40113 | | POLYAMIDE HOSE L=420 1/4F GR.-1/8F MN. | 1,00 | 01/12/2019 | | -- |
| 0064 | GUGO08071 | | O-RING D. 4.48 X 1.78 NBR 70SH | 1,00 | 01/12/2019 | | -- |
| 0065 | GUGO12183 | | O-RING D. 23.4 X 3.53 VIT 70SH | 1,00 | 01/12/2019 | | -- |
| 0066 | RCGR08069 | | TAP BODY DET. PRT | 1,00 | 01/12/2019 | | -- |
| 0067 | RCGR08070 | | ADJUSTER PRT | 1,00 | 01/12/2019 | | -- |
| 0069 | FSVR00427 | | CLAMP D. 12 CLIC 66-110 | 2,00 | 01/12/2019 | | -- |
| 0070 | MLML08068 | | SPRING D.1,5 L.23 | 1,00 | 01/12/2019 | | -- |
| 0071 | VTRS00542 | | WASHER D.14X20 | 1,00 | 01/12/2019 | | -- |
| 0079 | RCDS40172 | | SCREW 3/8 VRF-2 OT 4F. | 1,00 | | | -- |
| 0080 | VTRS00549 | | WASHER D.21,5X27X1.5 (1/2) RM | 3,00 | | | -- |
| 0081 | RCDS28900 | | SLEEVE 3/4-1/2 M/F MTH | 1,00 | | | -- |
| 0082 | RCDS49875 | | RING NUT 1/2"X 6 CH.27 OT. | 1,00 | | | -- |
| 0083 | VTRS00549 | | WASHER D.21,5X27X1.5 (1/2) RM | 1,00 | | | -- |
| 0084 | TBBP40123 | | L.P. HOSE L= 960 3/4F90°-1/2M 0° | 1,00 | | | -- |
| 0085 | TBBP40019 | | L.P. HOSE D.15.8-24 EPDM 20 BAR | 0,62 | | | -- |
| 0086 | RCDS40176 | | ELBOW 1/8" M/F CN. L=24 OT. | 1,00 | 01/12/2019 | | -- |
| 0087 | FSVR00431 | | CLAMP D. 16-25 | 2,00 | | | -- |
| 0088 | VTRS04931 | | WASHER COPPER D.13X19X1.5 | 1,00 | 01/02/2020 | | -- |
| 0089 | RCVR00573 | | ELBOW 1/4" M/F A10 | 1,00 | 16/07/2020 | | -- |
| 0090 | RCDS00607 | | NIPPLE 1/4 - 1/4 SV | 1,00 | 01/12/2019 | | -- |



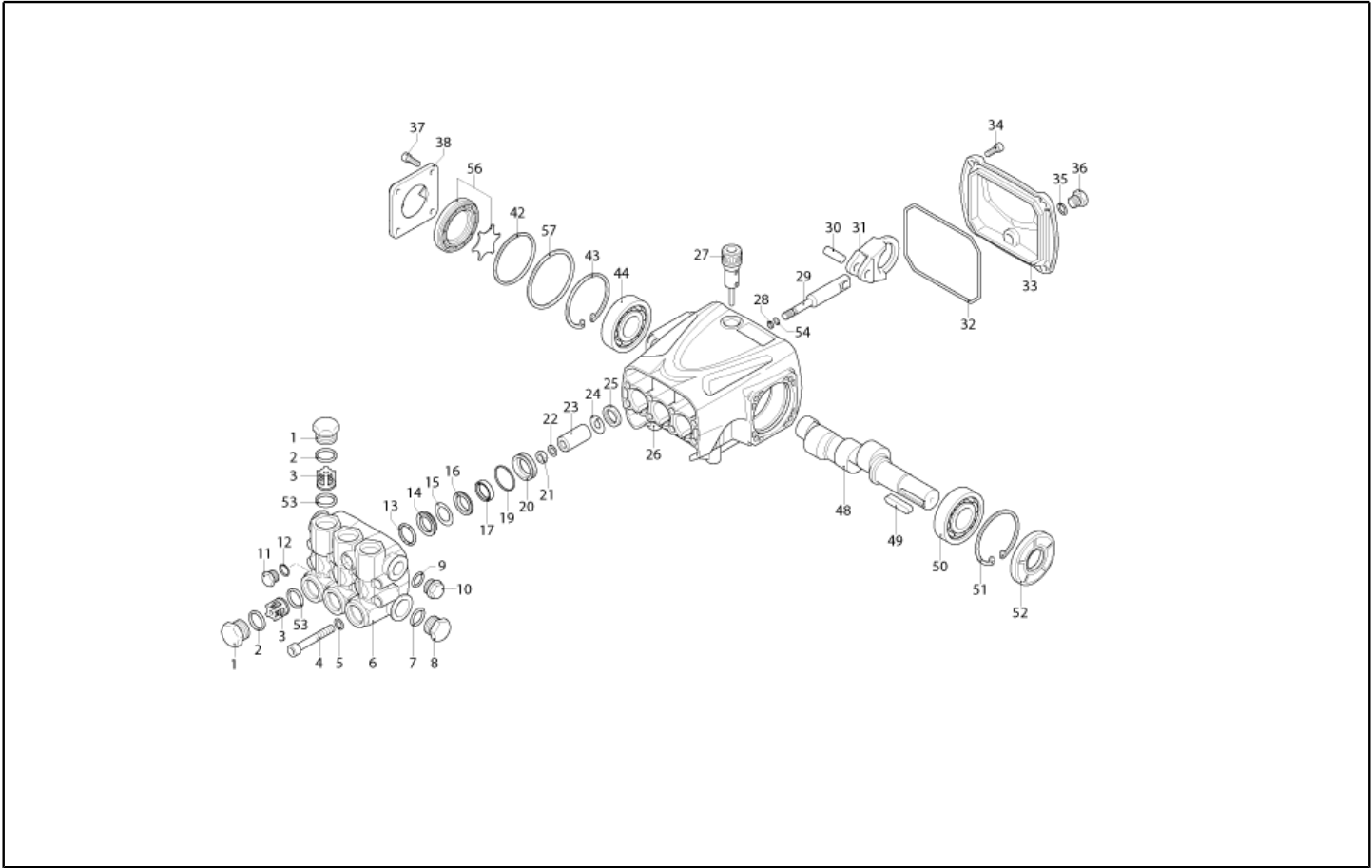
| Ref. K | Part n. | Part n. 2 | Description | Quantity | Validity | | Price |
|--------|-----------|-----------|-------------------------------------|----------|------------|------------|-------|
| | | | | | From | To | |
| 0001 | LAFN41135 | | CYLINDER PW-E100 INX. | 1,00 | 01/02/2020 | | -- |
| 0002 | RCDS40292 | | RING NUT 2"1/2 CH.85 ZC. | 1,00 | 01/02/2020 | | -- |
| 0003 | MPVR40991 | | CAP PW-E100 PA6 | 1,00 | 01/02/2020 | | -- |
| 0004 | GUVR40129 | | GASKET D.72.5X88 X3 PTFE/E | 1,00 | 01/02/2020 | | -- |
| 0005 | GUGO01050 | | O-RING D. 32.93 X 3.53 NBR 70SH | 2,00 | | 31/01/2020 | -- |
| 0006 | RCDS40299 | | CONNECTOR EL.V. G3/4F D.49 L.28 PA6 | 2,00 | | 31/01/2020 | -- |
| 0007 | MEVR40254 | | CONNECTOR G.1/4M D.6 TEF. | 1,00 | 01/02/2020 | | -- |
| 0008 | RCVR40046 | | CAP 1/4 M OT.NIK EI D. 6 | 1,00 | 01/02/2020 | | -- |
| 0009 | RCDS40047 | | NIPPLE 3/8 - 3/8 CN P245 | 1,00 | | 31/01/2020 | -- |
| 0009 | RCVR73008 | | HOSE FITTING 1/2 D.17 454/A | 1,00 | 01/02/2020 | | -- |
| 0010 | RCVR40119 | | REDUCTION M/F 3/4"-3/8" A4 | 3,00 | | 31/01/2020 | -- |
| 0010 | VTRS00549 | | WASHER D.21,5X27X1.5 (1/2) RM | 4,00 | 01/02/2020 | | -- |
| 0011 | VTRS00548 | | WASHER D.17,5X23X1,5 (3/8)RM | 2,00 | | 31/01/2020 | -- |
| 0011 | RCDS21223 | | RING NUT 1/2" X 5 NIK | 2,00 | 01/02/2020 | | -- |
| 0012 | RCVR59738 | | LOCKNUT G 3/4 | 2,00 | | 31/01/2020 | -- |
| 0013 | RCDS40105 | | LOCKNUT G 3/8 ES.19 SP.4 OT | 1,00 | 01/02/2020 | | -- |
| 0014 | RCDS40291 | | RING NUT G 3/4 PW-E100 OT. | 1,00 | 01/02/2020 | | -- |
| 0015 | LAFN41137 | | PANEL PW-E100 INX | 1,00 | 01/02/2020 | | -- |
| 0016 | RCGR40023 | | TAP G 3/8M D.8 OT. E100 | 1,00 | 01/02/2020 | | -- |
| 0016 | RCGR40021 | | BALL GL. 3/8 RM 100°C | 1,00 | 01/02/2020 | | -- |
| 0016 | RCGR40020 | | TAP G 3/8M D.8 OT. | 1,00 | 20/07/2019 | 31/01/2020 | -- |
| 0017 | LAFN41132 | | BULKWARD PW-E100 IX | 1,00 | 01/02/2020 | | -- |
| 0018 | LAFN41139 | | SUPPORT PW-E100 IX | 1,00 | 01/02/2020 | | -- |
| 0019 | LAFN41140 | | BRACKET NTC PW-E100 IX | 1,00 | 01/02/2020 | | -- |
| 0020 | RCDS03514 | | HOSE FITTING 3/8 M D. 5- 7 | 1,00 | | 31/01/2020 | -- |
| 0020 | RCDS01091 | | CAP 1/2X10 M | 1,00 | 01/02/2020 | | -- |
| 0021 | GUGO02261 | | O-RING D. 71.12 X 2.62 NBR 70SH | 1,00 | 01/02/2020 | | -- |
| 0022 | VTRS11876 | | WASHER D.27 X34 X1.5 (3/4)COPPER | 1,00 | 01/02/2020 | | -- |
| 0022 | VTRS11876 | | WASHER D.27 X34 X1.5 (3/4)COPPER | 5,00 | | 31/01/2020 | -- |
| 0023 | ITTE40014 | | PROTECTION PW-E100 CIL. | 1,00 | 01/02/2020 | | -- |
| 0024 | ITTE40015 | | PROTECTION PW-E100 COP. | 1,00 | 01/02/2020 | | -- |
| 0025 | LAFN41136 | | COVER PW-E100 IX | 1,00 | 01/02/2020 | | -- |
| 0026 | RCDS40307 | | CAP 1/4X 9 M C/F.d.7 | 1,00 | 01/02/2020 | | -- |
| 0027 | VTRS04931 | | WASHER COPPER D.13X19X1.5 | 2,00 | 01/02/2020 | | -- |
| 0028 | FTAC40016 | | WATER FILTER 1/4 MF HP | 1,00 | 01/02/2020 | | -- |
| 0029 | RCVR40213 | | HOSE FITTING 1/4 F D. 7 OT.NIK | 1,00 | 01/02/2020 | | -- |



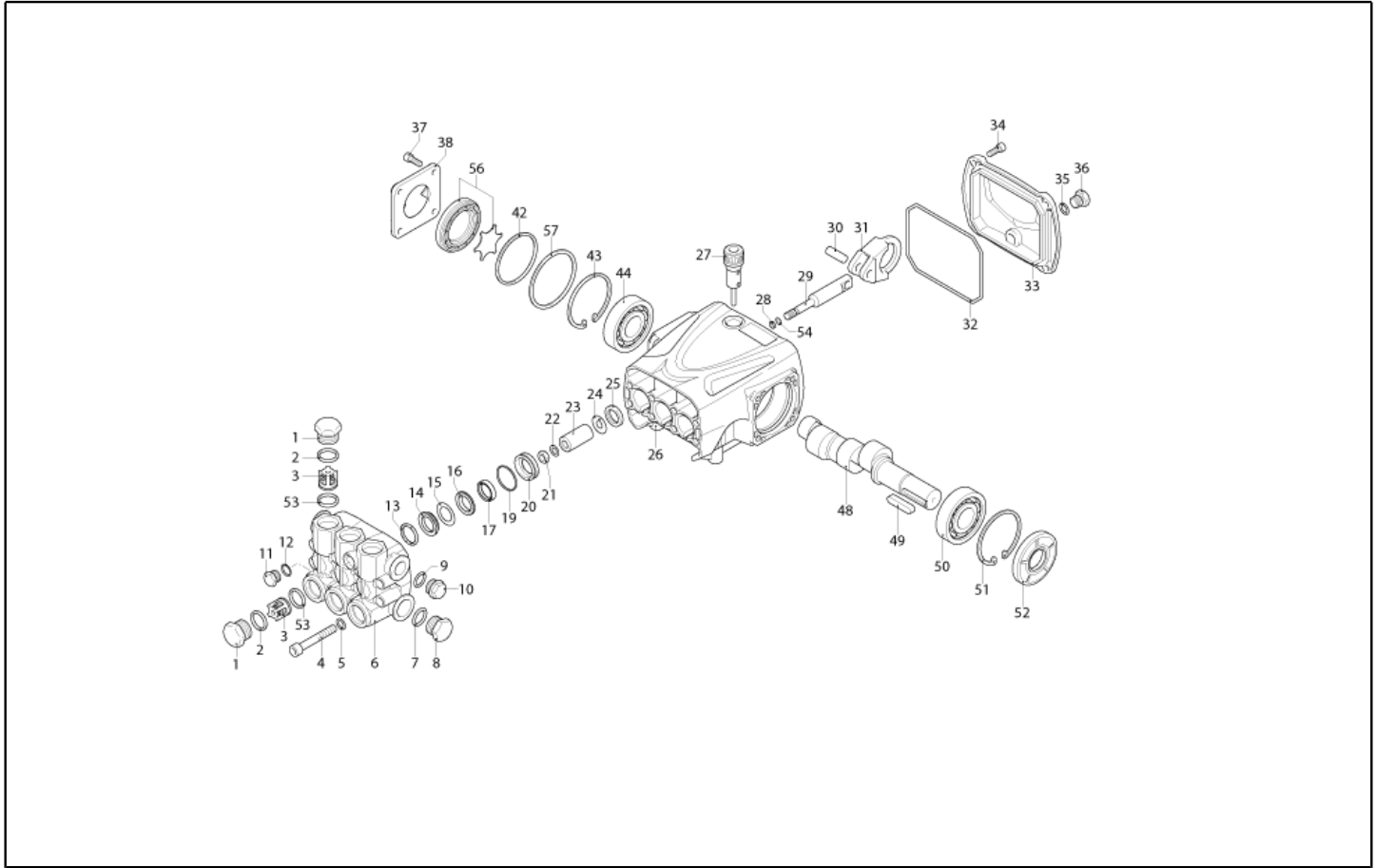
| Ref. K | Part n. | Part n. 2 | Description | Quantity | Validity | | Price |
|--------|-----------|-----------|--|----------|------------|------------|-------|
| | | | | | From | To | |
| R | MEVR40235 | | RESISTANCE 2.5*OT/IX. 33.0KW T 400V | 1,00 | 01/02/2020 | -- | -- |
| F1 | MEVR09010 | | FUSE 5X20 0,5A | 1,00 | 01/12/2019 | -- | -- |
| G1 | MECI40055 | | SWITCH REED N.C. H210 IX | 1,00 | 01/02/2020 | -- | -- |
| IG | MECI40017 | | COMMUTAT.SWITCH 0-1-2 UN. | 1,00 | | -- | -- |
| K1 | METT40008 | | CONTACTOR SIE 3RT 2016-1AB01 24V | 1,00 | | -- | -- |
| PA | MEPD25575 | | DESCALING PUMP NME-1 24V CPL. | 1,00 | | -- | -- |
| RC | MECE40055 | | FILTER RC 3RT2926-1CE00 26A | 2,00 | | -- | -- |
| TR | METR41580 | | TRANSFORMER 50VA 400-230/50V | 1,00 | | -- | -- |
| TS | METK40023 | | THERMOSTAT 105°C TU F RM 20(5)A 250V | 1,00 | 01/02/2020 | -- | -- |
| VM | VEVR40015 | | VENTILATOR 230V AC 80X80X38 | 1,00 | 01/12/2019 | -- | -- |
| CV1 | MECB40435 | | CABLE N.589 H07 RNF 4X16 L.6.50 | 1,00 | | -- | -- |
| EC1 | MECE40088 | | PCB PW-E100 TSI+CO+VRT 5.2 | 1,00 | | 31/01/2020 | -- |
| EC1 | MECE40092 | | PCB PW-E100 TSI+CO+VRT 2V.5.2 | 1,00 | 01/02/2020 | -- | -- |
| EC2 | MECE40089 | | PCB LED PW 5 GR. FLT/BLT | 1,00 | | -- | -- |
| EV1 | MEBE29000 | | COIL SCEM ZB14-24V AC | 1,00 | 01/02/2020 | -- | -- |
| EV3 | MEEV40021 | | SOLENOID VALVE PARK S.153 3/8F+KP07 230V | 1,00 | | 31/01/2020 | -- |
| POT | MEVR40149 | | POTENTIOMETER VSH P11S1V0FLSY 5/10K LN. | 1,00 | | -- | -- |
| RL1 | MEVR40259 | | BASE FINDER 95.P5.spa | 1,00 | | -- | -- |
| RL1 | MERL40001 | | SWITCH RELAY FIND 40.52 2SC. 8A 24VAC | 1,00 | | -- | -- |
| RL2 | MEVR40248 | | BASE FINDER 95.P3.spa | 1,00 | | -- | -- |
| RL2 | MERL40007 | | SWITCH RELAY FIND 40.31 1SC.10A 24VAC | 1,00 | | -- | -- |
| EV12 | MEEV40020 | | SOLENOID VALVE RPE 1V. 3/4M 24V DV21 | 2,00 | | 31/01/2020 | -- |
| G2,3 | MECI40006 | | SENSOR LEVEL S1.PML.XD.FPJ FST. | 2,00 | | -- | -- |
| K2,3 | METT40055 | | CONTACTOR SIE 3RT 2027-2AV00 400V | 2,00 | | -- | -- |
| NTC | MEVR40253 | | PROBE NTC/10K B2585 IP68 | 1,00 | 01/02/2020 | -- | -- |
| P1,2 | MEPF71856 | | PRESSURE SWITCH PR 5 1/4M 15BAR | 2,00 | | -- | -- |



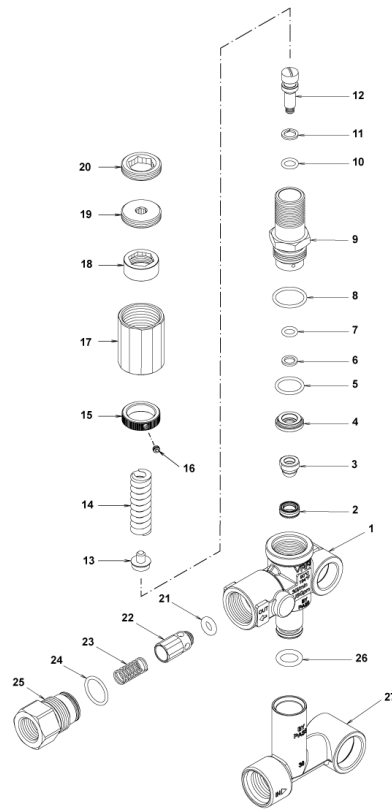
| Ref. K | Part n. | Part n. 2 | Description | Quantity | Validity | | Price |
|--------|-------------|-----------|----------------------------------|----------|----------|----|-------|
| | | | | | From | To | |
| 0001 | PVVR40161 | | CAP AR RR | 6,00 | | | -- |
| 0002 | GUGO03502 | | O-RING D. 17.86 X 2.62 NBR 70SH | 6,00 | | | -- |
| 0003 | S VVAM40003 | | VALVE UNIT RR | 6,00 | | | -- |
| 0004 | VTVT63018 | | SCREW TCEI M 8X55 ZC U.5931 | 8,00 | | | -- |
| 0005 | VTRS14242 | | WASHER D. 8.4X13X0.8 UNI7064 SCH | 8,00 | | | -- |
| 0006 | MFVR40028 | | HEAD AR RR OT. | 1,00 | | | -- |
| 0007 | GUGO19245 | | O-RING D. 17.5 X 2 NBR 70SH | 1,00 | | | -- |
| 0008 | PVVR40121 | | CAP 1/2 M RC | 1,00 | | | -- |
| 0009 | GUGO09720 | | O-RING D. 14 X 1.78 NBR 70SH | 1,00 | | | -- |
| 0010 | PVVR40099 | | CAP 3/8 M HRM | 1,00 | | | -- |
| 0011 | PVVR40129 | | CAP 1/4 M RC | 1,00 | | | -- |
| 0012 | GUGO01036 | | O-RING D. 10.82 X 1.78 NBR 70SH | 1,00 | | | -- |
| 0013 | S PVVR40122 | | HEAD RING D. 18 RC | 3,00 | | | -- |
| 0014 | S GUVR40119 | | PACKING D. 18 RC/70 H.P. | 3,00 | | | -- |
| 0015 | S GUVR40043 | | ANTI-EXTR.RING D.18X28 | 3,00 | | | -- |
| 0016 | S PVVR40162 | | INTERMED. RING D. 18 RR | 3,00 | | | -- |
| 0017 | S GUVR40120 | | PACKING D. 18 RC/70 L.P. | 3,00 | | | -- |
| 0019 | S GUGO19290 | | O-RING D. 23.52 X 1.78 NBR 70SH | 3,00 | | | -- |
| 0020 | S PVVR40163 | | PACKING RETAIN. D. 18 RR | 3,00 | | | -- |
| 0021 | VTDD00483 | | NUT M 8 ZIN UNI 5588 | 3,00 | | | -- |
| 0022 | VTRS19394 | | WASHER D. 8X13X0.5 | 3,00 | | | -- |
| 0023 | S PIVR40007 | | PISTON D.18 RR | 3,00 | | | -- |
| 0024 | PVVR19233 | | DISC XTS | 3,00 | | | -- |
| 0025 | S GUGO09690 | | OIL SEAL 15X 24X 5 NBR70 | 3,00 | | | -- |
| 0026 | MFVR40030 | | PUMP CRANKCASE AR RR | 1,00 | | | -- |
| 0027 | PVVR19231 | | OIL CAP XTS | 1,00 | | | -- |
| 0028 | GUGO08071 | | O-RING D. 4.48 X 1.78 NBR 70SH | 3,00 | | | -- |
| 0029 | PVVR40176 | | PISTON GUIDE RR | 3,00 | | | -- |
| 0030 | PVVR40178 | | GUDGEON D. 9 RR | 3,00 | | | -- |
| 0031 | BLVR40002 | | CONNECTING ROD RR | 3,00 | | | -- |
| 0032 | GUGO40017 | | O-RING D. 107.62 X 2.62 NBR 70SH | 1,00 | | | -- |
| 0033 | MFVR40029 | | CRANKASE COVER AR RR | 1,00 | | | -- |
| 0034 | VTVT09913 | | SCREW TCEI 6X16 UNI5931 | 4,00 | | | -- |
| 0035 | GUGO01036 | | O-RING D. 10.82 X 1.78 NBR 70SH | 1,00 | | | -- |
| 0036 | PVVR40129 | | CAP 1/4 M RC | 1,00 | | | -- |
| 0037 | VTVT09913 | | SCREW TCEI 6X16 UNI5931 | 4,00 | | | -- |
| 0038 | MFVR40021 | | CRANKASE COVER AR RC LT. | 1,00 | | | -- |
| 0042 | GUGO09030 | | O-RING 56X82 X2.62 - NBR | 1,00 | | | -- |
| 0043 | VTAE10405 | | CIRCLIP D. 62 UNI 7437 | 1,00 | | | -- |
| 0044 | CUVR09654 | | BALL BEARING 6305 | 1,00 | | | -- |
| 0048 | ALMO40034 | | SHAFT AR RR 13LT VRS. N | 1,00 | | | -- |
| 0049 | VTVR41531 | | KEY 8X 7X35 UNI 6604A | 1,00 | | | -- |
| 0050 | CUVR09654 | | BALL BEARING 6305 | 1,00 | | | -- |
| 0051 | VTAE10405 | | CIRCLIP D. 62 UNI 7437 | 1,00 | | | -- |



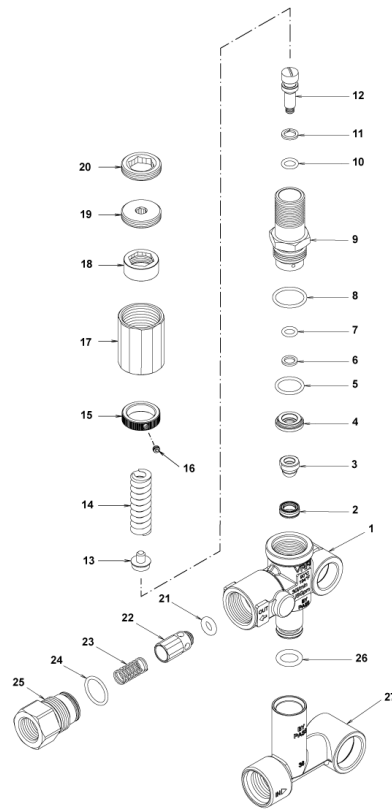
| Ref. K | Part n. | Part n. 2 | Description | Quantity | Validity | | Price |
|--------|---------|-----------|---------------------------------|----------|----------|----|-------|
| | | | | | From | To | |
| 0052 | S | GUGO40018 | OIL SEAL 25X 62X 8 NBR70 | 1,00 | | | -- |
| 0053 | S | GUGO02259 | O-RING D. 15.54 X 2.62 NBR 70SH | 6,00 | | | -- |
| 0054 | | GUVR40044 | ANTI-EXTR.RING D. 5 X 8 X1 | 3,00 | | | -- |
| 0056 | | PVVR40473 | OIL INDICATOR RR CPL. | 1,00 | | | -- |
| 0057 | | PVVR40566 | RING D. 61.8 X57.8 X0.5 | 1,00 | | | -- |



| Ref. Part n. | Part n. 2 | Description | Reference | Price |
|--------------|-----------|--------------------------------|-------------------------------|-------|
| KTRI40095 | | KIT P 15-42903 D.18 RC | 0013 | -- |
| KTRI40142 | | KIT P 15-42909 RR | 0003 0053 | -- |
| KTRI40143 | | KIT P 15-42904 D.18 RR | 0023 | -- |
| KTRI40144 | | KIT P 15-42922 RR | 0025 0052 | -- |
| KTRI40336 | | KIT P 15-43193 AC.70°C D.18 RR | 0013 0014 0016 0017 0019 0020 | -- |



| Ref. K | Part n. | Part n. 2 | Description | Quantity | Validity | | Price |
|--------|-------------|-----------|-----------------------------------|----------|----------|----|-------|
| | | | | | From | To | |
| 0001 | PVVR40362 | | VALVE BODY VRF2 | 1,00 | | | -- |
| 0002 | S PVVR40363 | | VALVE SEAT MV124 +OR | 1,00 | | | -- |
| 0003 | S PVVR40364 | | COUPLING MV124 | 1,00 | | | -- |
| 0004 | S PVVR40365 | | SPACER MV124 | 1,00 | | | -- |
| 0005 | S GUGO12322 | | O-RING D. 14 X 1.78 NBR 90SH | 1,00 | | | -- |
| 0006 | S GUVR40072 | | ANTI-EXTR.RING D. 6.5X 9.4 | 1,00 | | | -- |
| 0007 | S GUGO10330 | | O-RING D. 6.07 X 1.78 VIT 70SH | 1,00 | | | -- |
| 0008 | S GUGO24913 | | O-RING D. 17.17 X 1.78 NBR 90SH | 1,00 | | | -- |
| 0009 | S PVVR40388 | | CONNECTOR VRF2 RG.165 56A | 1,00 | | | -- |
| 0010 | S GUGO03497 | | O-RING D. 6.75 X 1.78 VIT 80SH | 1,00 | | | -- |
| 0011 | S GUVR40073 | | ANTI-EXTR.RING D. 7.1X10 X1.2 TBT | 1,00 | | | -- |
| 0012 | S PVVR40367 | | SMALL PISTON D.10 VRF2 | 1,00 | | | -- |
| 0013 | S PVVR40368 | | SPRING PLATE MV124 25B | 1,00 | | | -- |
| 0014 | S MLML47987 | | SPRING D. 3.25X41.1 MV 625 | 1,00 | | | -- |
| 0015 | S PVVR40369 | | RING NUT MV167.09 | 1,00 | | | -- |
| 0016 | S VTVT89696 | | SCREW EI-ST 4X 4 UNI5927 ZC | 1,00 | | | -- |
| 0017 | S PVVR47989 | | CAP MV 625 REG. | 1,00 | | | -- |
| 0018 | S PVVR47990 | | RING NUT MV 625 REG. | 1,00 | | | -- |
| 0019 | S PVVR47991 | | REGISTER MV 625 REG. | 1,00 | | | -- |
| 0020 | S PVVR47992 | | CLAMP MV 625 REG. | 1,00 | | | -- |
| 0021 | GUGO27030 | | O-RING D. 6 X 3 VIT 70SH | 1,00 | | | -- |
| 0022 | PVVR40349 | | COUPLING VRT3 | 1,00 | | | -- |
| 0023 | MLML40026 | | SPRING VRT3 | 1,00 | | | -- |
| 0024 | GUGO12321 | | O-RING D. 15.6 X 1.78 NBR 90SH | 1,00 | | | -- |
| 0025 | PVVR40350 | | CONNECTOR VRT3 G 3/8F | 1,00 | | | -- |
| 0026 | GUGO08606 | | O-RING D. 10.78 X 2.62 VIT 80SH | 1,00 | | | -- |
| 0027 | PVVR40373 | | CONNECTOR VRF2.24 | 1,00 | | | -- |



| Ref. Part n. | Part n. 2 | Description | Reference | Price |
|--------------|-----------|----------------------|---|-------|
| KTRI40530 | | KIT P 14-118 VRF2-HT | 0002 0003 0004 0005 0006 0007 0008 0009 0010 0011 0012 0013 0014 0015 0016 0017 0018 0019 0020 | -- |



| Ref. K | Part n. | Part n. 2 | Description | Quantity | Validity | | Price |
|--------|-----------|-----------|---------------------------------|----------|----------|----|-------|
| | | | | | From | To | |
| 0001 | PVVR40381 | | GUN BODY G 5100 G1/4F | 1,00 | | | -- |
| 0002 | S | GUVR40074 | ANTI-EXTR.RING D. 3 X 7.4X1.3 | 1,00 | | | -- |
| 0003 | S | GUGO21835 | O-RING D. 2.84 X 2.62 VIT. 80SH | 1,00 | | | -- |
| 0004 | | PVVR40382 | PISTON GUIDE G 5100 | 1,00 | | | -- |
| 0005 | S | PVVR40563 | BALL SEAT AL36 G6000 + OR | 1,00 | | | -- |
| 0006 | S | SFVR40004 | BALL D. 5/16" ALL.GR16 | 1,00 | | | -- |
| 0007 | | MLML40047 | SPRING D. 9.4 x23.5x1.6 G6000 | 1,00 | | | -- |
| 0008 | | GUGO12322 | O-RING D. 14 X 1.78 NBR 90SH | 1,00 | | | -- |
| 0009 | | PVVR40383 | CONNECTOR COLL.G5100 1/4F | 1,00 | | | -- |
| 0010 | | VTRS40017 | WASHER D. 8.2X11,4X1.00 | 4,00 | | | -- |
| 0011 | | PVVR40384 | TUBE G 1/4" L.105 | 1,00 | | | -- |
| 0012 | | RCIN40022 | CONNECTOR SWIV G5100 1/4F | 1,00 | | | -- |
| 0013 | | MPVR40967 | RING NUT G 6000 SW. GR. | 1,00 | | | -- |
| 0014 | | RCIN40021 | JOINT SWIV 5100 M22 | 1,00 | | | -- |
| 0015 | S | GUVR40075 | ANTI-EXTR.RING D. 10 X14X1.5 | 1,00 | | | -- |
| 0016 | S | GUVR40076 | ANTI-EXTR.RING D. 11.2X14X1.2 | 1,00 | | | -- |
| 0017 | S | GUGO15295 | O-RING D. 10.82 X 1.78 VIT 75SH | 1,00 | | | -- |
| 0018 | | PVVR40386 | SCREW SW. G 5100 | 1,00 | | | -- |
| 0019 | | VTVR40047 | PLUG D. 4X29 | 2,00 | | | -- |
| 0020 | | MPVR40820 | TRIGGER G 6000-SW | 1,00 | | | -- |
| 0021 | | MPVR40821 | SAFETY-DEVICE G 6000-SW | 1,00 | | | -- |
| 0022 | | MPVR40822 | SHELL G 6000-SW DX | 1,00 | | | -- |
| 0023 | | MPVR40968 | PLATE G 6000/2 GR.DX | 1,00 | | | -- |
| 0024 | | PVVR40564 | SMALL PISTON G 6000 AL36 SP. | 1,00 | | | -- |
| 0025 | | MLML40029 | SPRING G 5100 | 1,00 | | | -- |
| 0026 | | MPVR40824 | SHELL G 6000-SW SX | 1,00 | | | -- |
| 0027 | | MPVR40825 | PLATE G 6000 GR.SX | 1,00 | | | -- |
| 0028 | | VTVT40043 | SCREW AF 4X 14 HILO ZN.N | 12,00 | | | -- |
| 0029 | | LCPR40181 | TUBE 1/4 L=416 ZC. 0° | 1,00 | | | -- |
| 0030 | | MPVR40493 | CONNECTOR G 5100-SW | 1,00 | | | -- |
| 0031 | | MPVR40494 | PROTECTION P 420 C/AN. | 1,00 | | | -- |
| 0035 | | MPVR40198 | CAP G 5000 | 1,00 | | | -- |
| 0036 | | MPVR40495 | CAP G 5100 REM. | 1,00 | | | -- |
| 0037 | | PVVR40119 | CONNECTION M22X1,5 IRV G5000 | 1,00 | | | -- |
| 0038 | | RCIN40048 | GUDGEON G 1/4 F IRV G6000/2 | 1,00 | | | -- |
| 0039 | | GUVR40034 | ANTI-EXTR.RING D. 10 X14 | 1,00 | | | -- |
| 0040 | | GUGO63555 | O-RING D. 9.3 X 2,4 VIT 75SH | 1,00 | | | -- |

