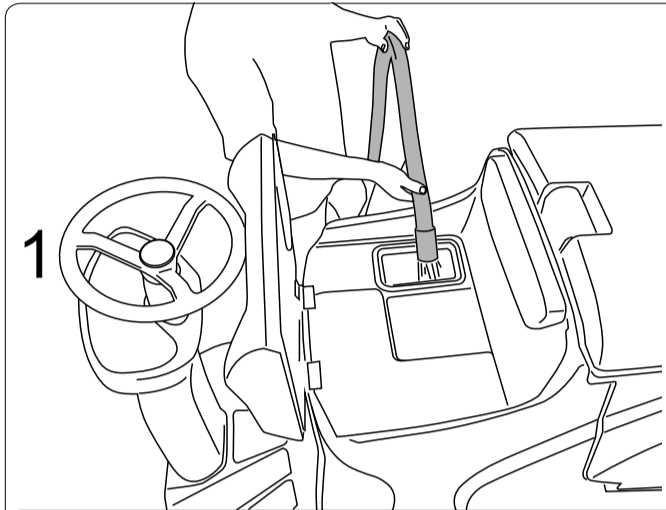
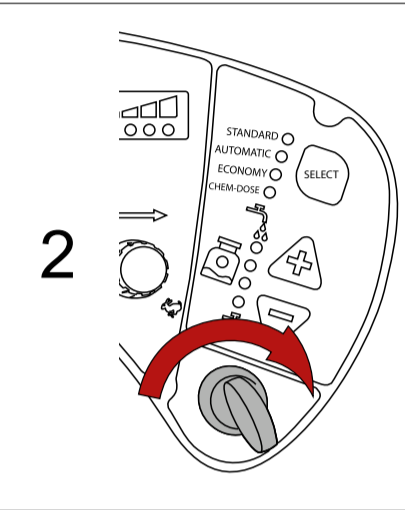
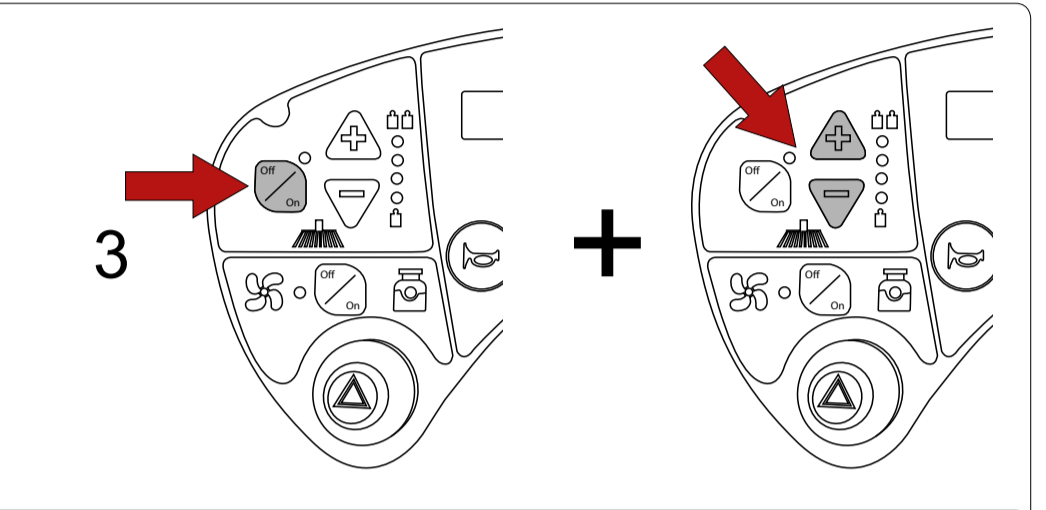

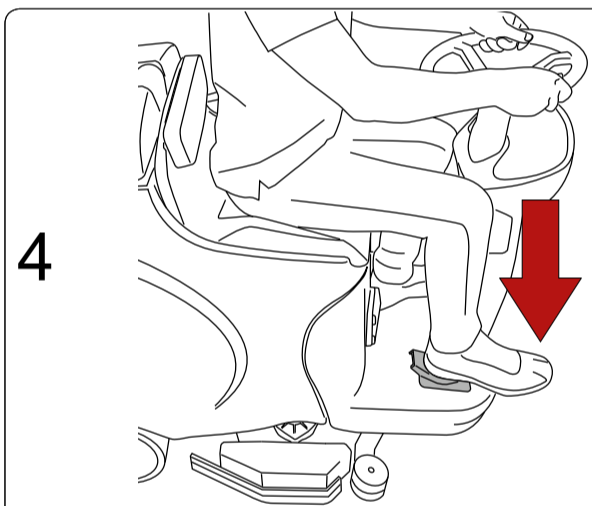
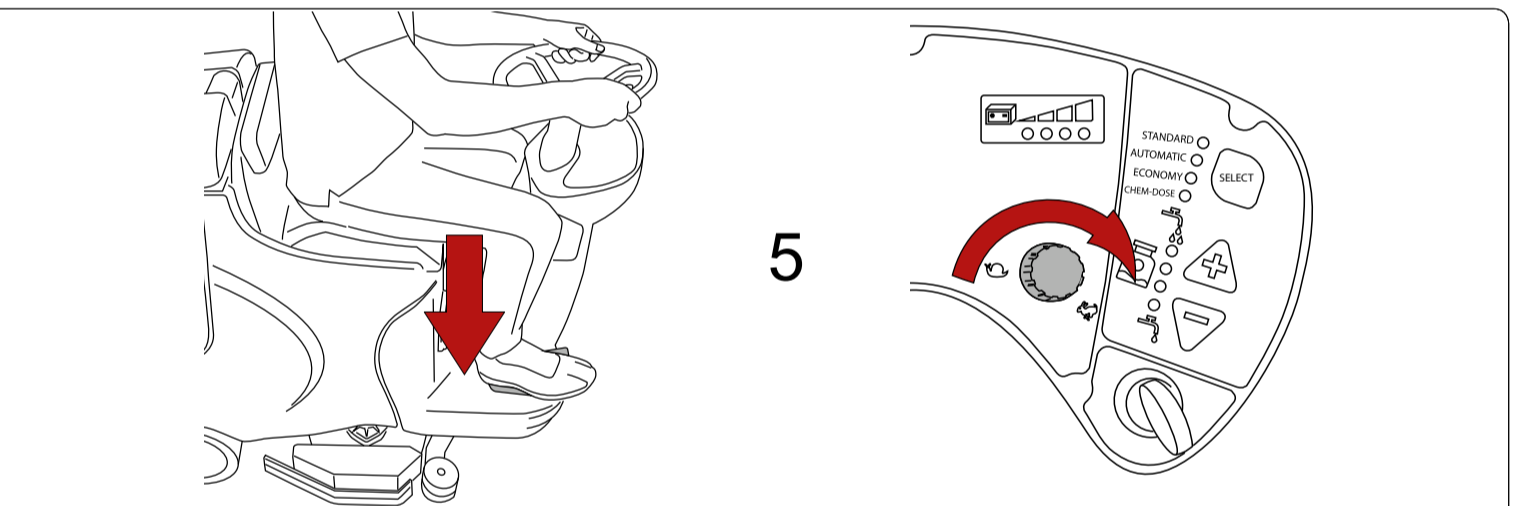



This guide is intended for quick consultation only and does not replace the user and maintenance manual. Before using the machine, read the user and maintenance manual contained in the machine's packaging thoroughly and strictly follow all the instructions.

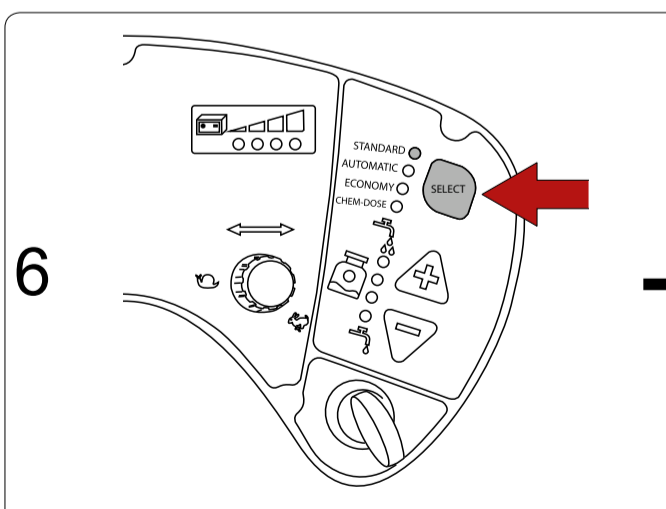
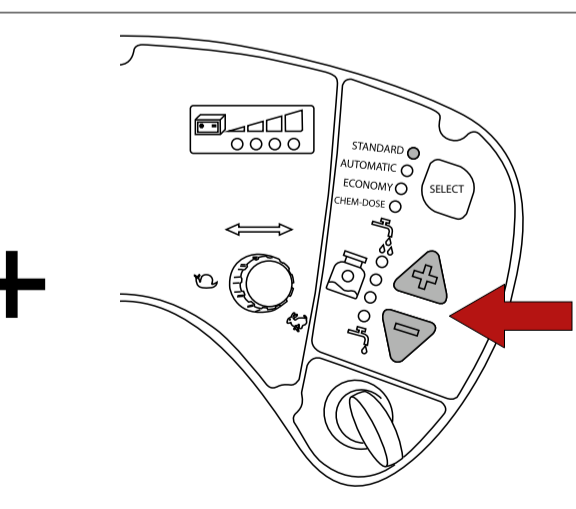
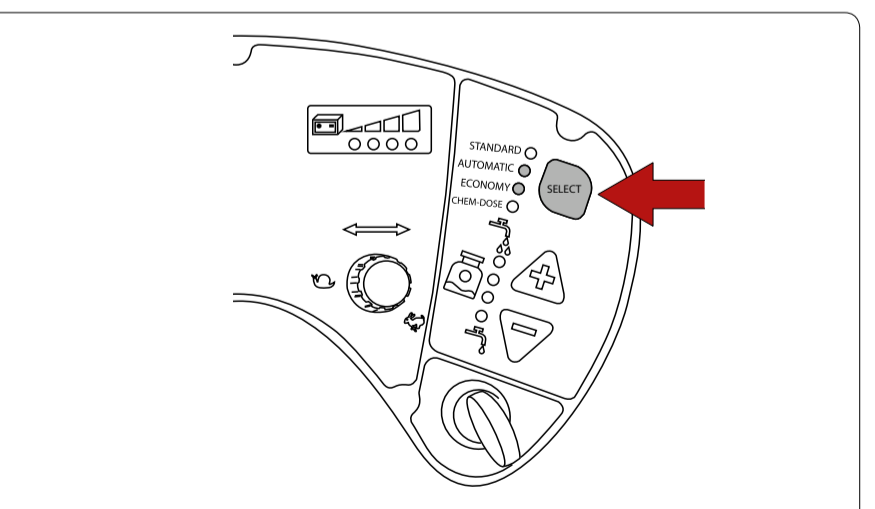
## PREPARATION & OPERATION


**1**  **2**  **3** 



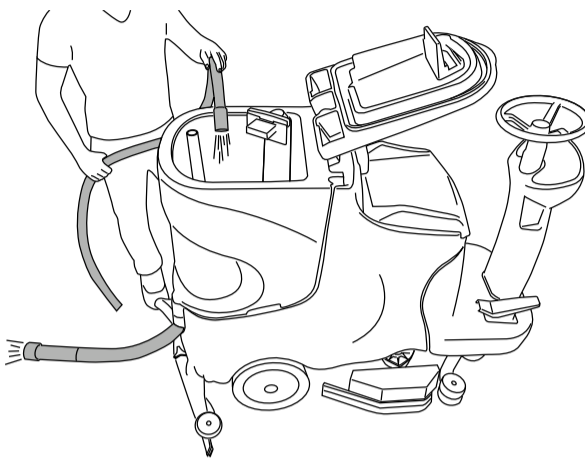
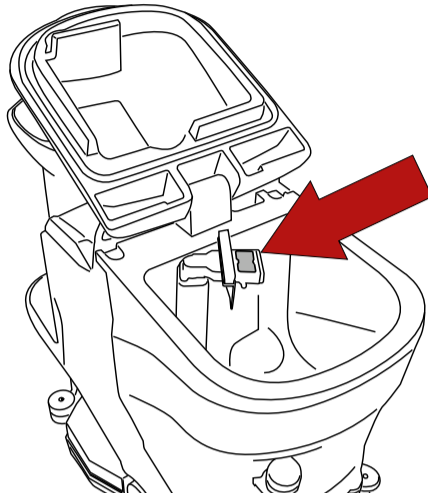
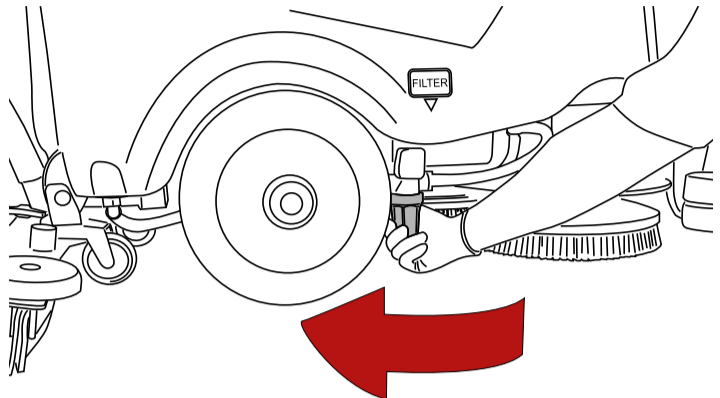
**4**  **5** 



**6**  +  + 



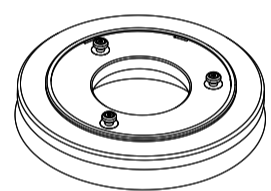
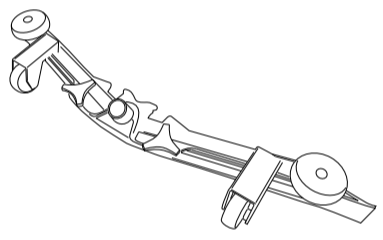
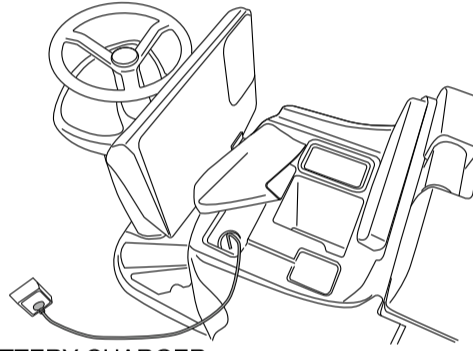
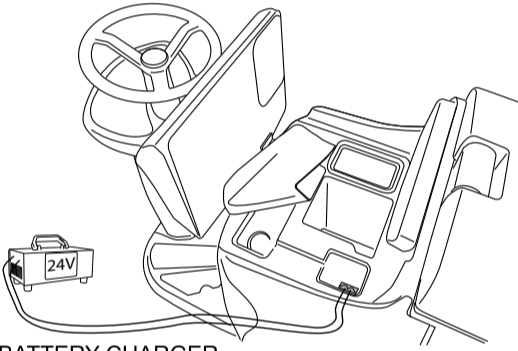
## DAILY MAINTENANCE

Clean the dirty water tank.

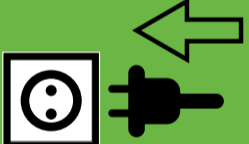
Check the suction filter is undamaged and clean.

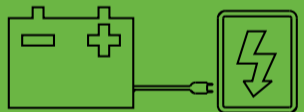
Check that the detergent outlet filter is clean.

Check that the brushes are clean.

Check that the squeegee is clean and the blades are not worn.

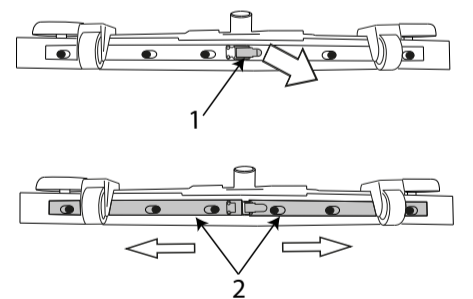




BATTERY CHARGER ON BOARD      BATTERY CHARGER STAND ALONE

## REPLACING THE SQUEEGEE BLADES

Open the clip (Ref. 1).  
 Remove the two blade retainers (Ref. 2) by pushing them outwards then extracting them.  
 Remove the blade.  
 Reuse the same blade by reversing the edge in contact with the floor until all four edges are worn out, or replace with a new blade, fitting it onto the screws on the body of the squeegee.  
 Reposition the two blade pressing devices by centering the wider part of the slots on the squeegee body fastening pins, then push the blade pressing devices inwards.  
 Close the hook again.



## ATTACHING/REMOVING THE BRUSHES

Attaching the brushes: THIS MUST BE DONE WITH THE MACHINE OFF, remove the side flaps, then position the brushes under the head drive disk. Lift the right brush with your hands and turn it clockwise, locking it in position on the drive disk. Lift the left brush with your hands and turn it anticlockwise, locking it in position on the drive disk.

Removing the brushes: THIS MUST BE DONE WITH THE MACHINE OFF, turn the right brush anticlockwise to release it from the drive disk. Turn the left brush clockwise to release it from the drive disk.

