

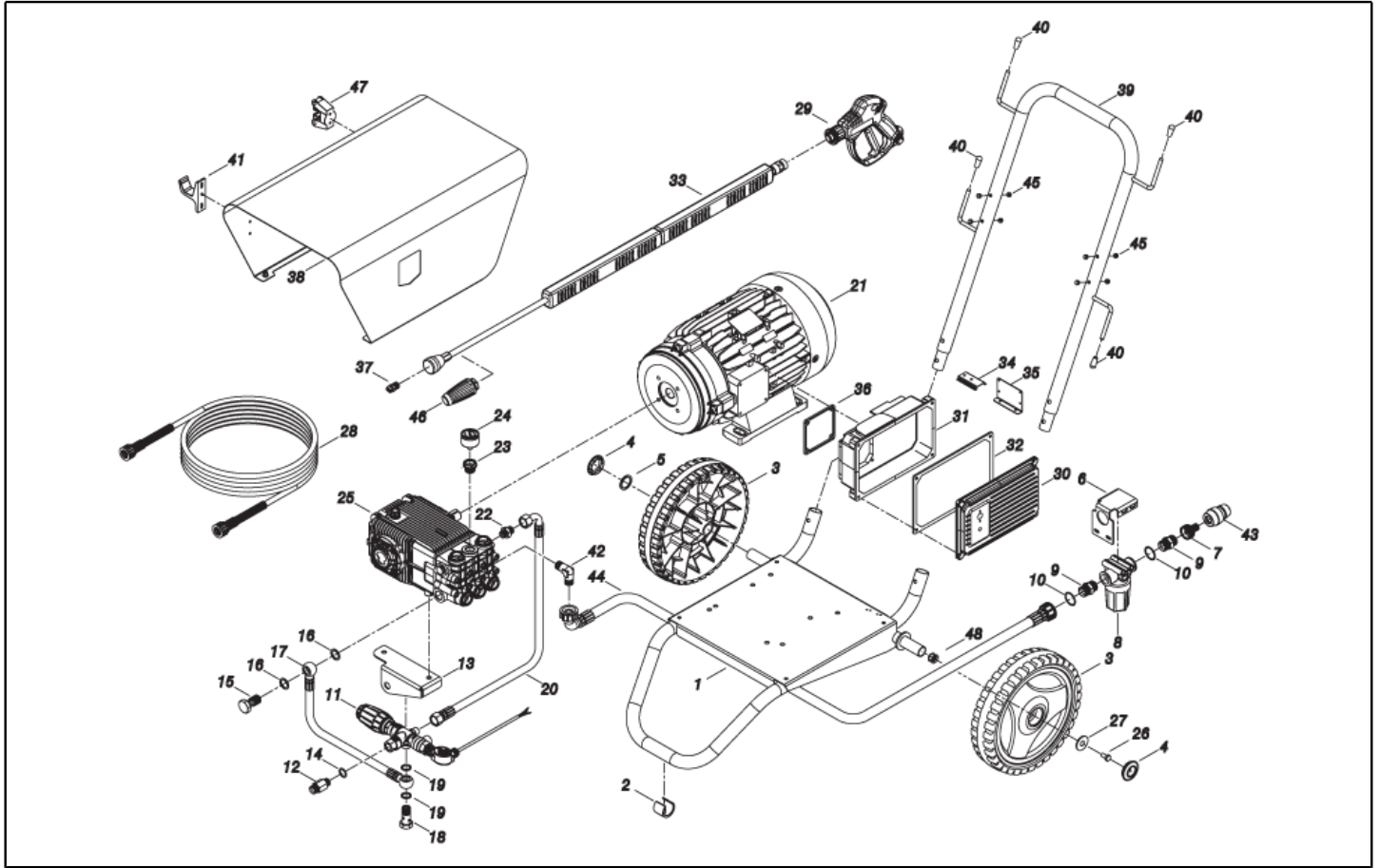


**IPC**

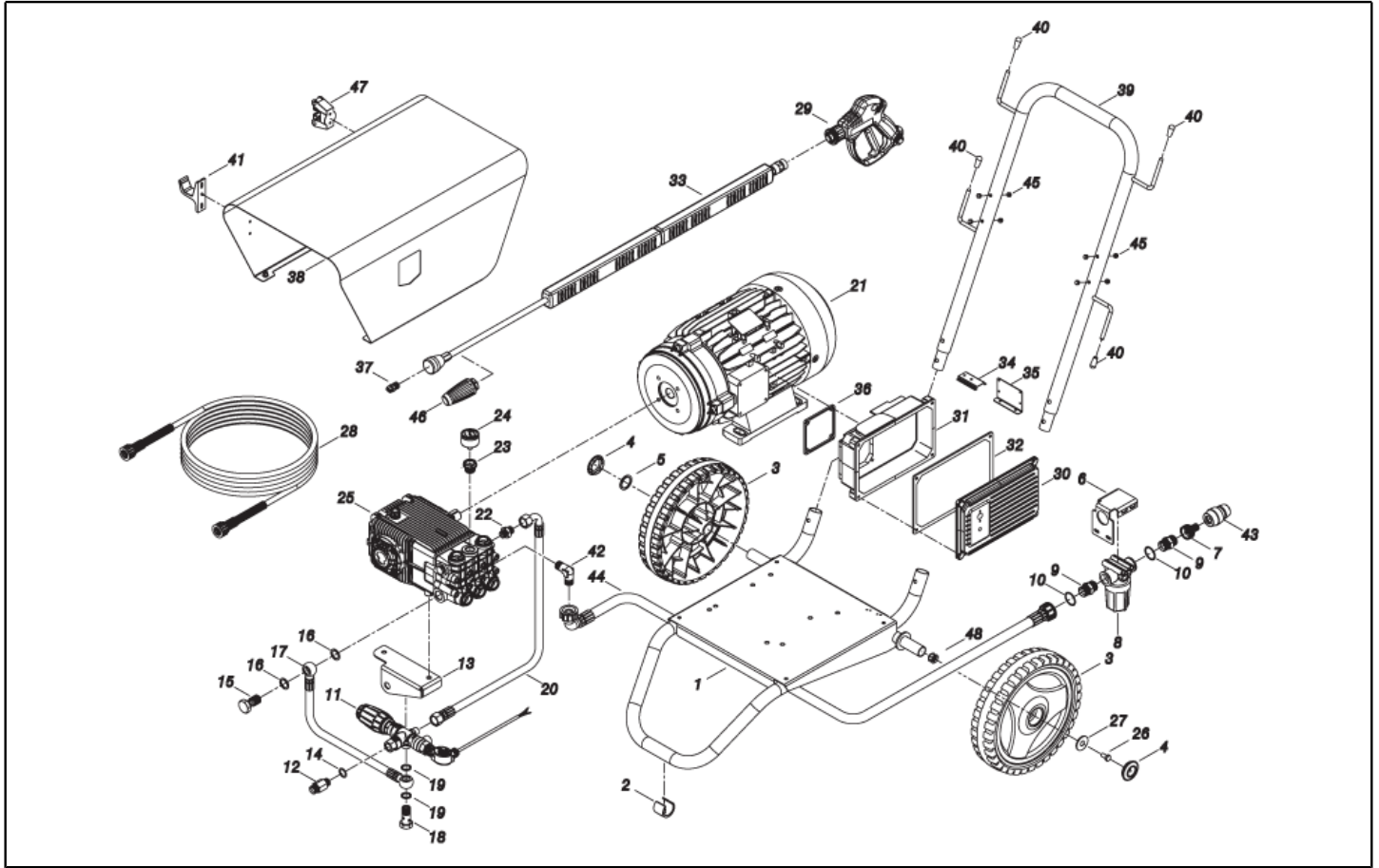
**Spare parts list**

Ref: IDAF40855

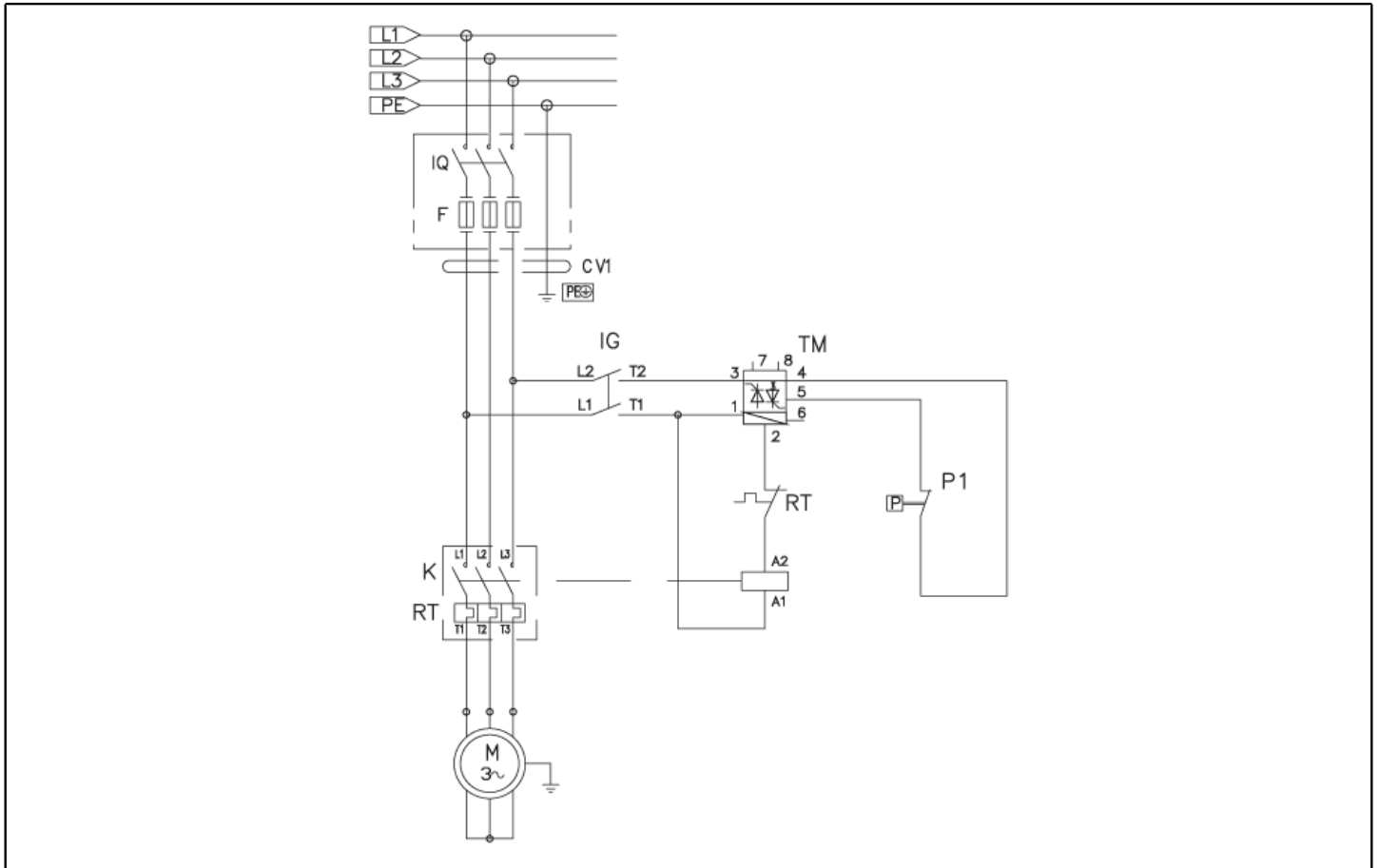
Model: H.P. CLEANER PW-C85 D3515P T400/50 IPN



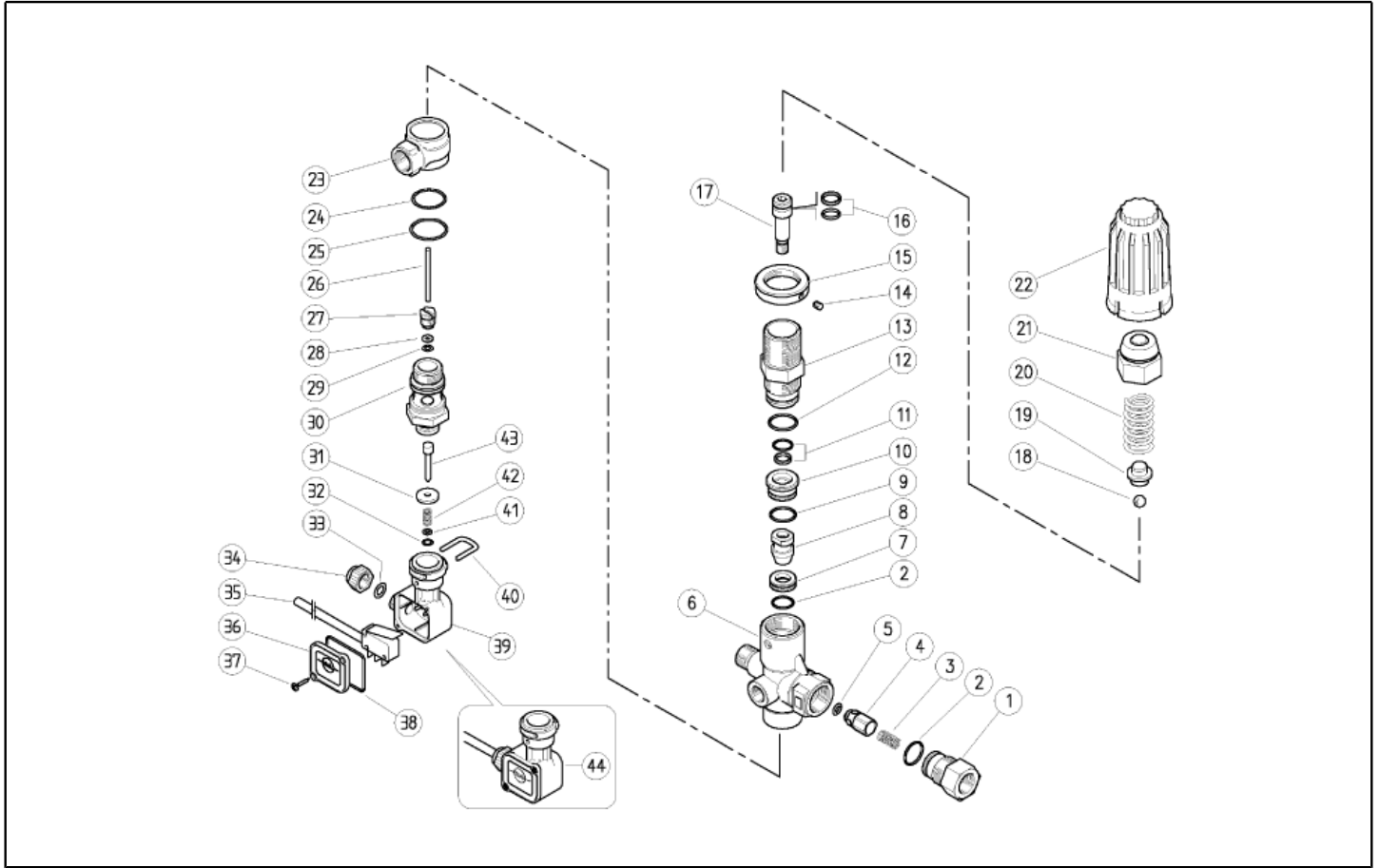
Ref. K	Part n.	Customer part n.	Description	Quantity	Validity		Price
					From	To	
0001	LAFN40848		CHASSIS PW-C85 12-15HP/Rt.F. AL.	1,00			--
0002	MPVR40787		FOOT D.28-30MM P.7.5MM	1,00			--
0003	RTRT40042		WHEEL D.300-D.25 FLY-IPC	2,00			--
0004	MPVR40782		HUB CAP D.50 G-48/IPC BK.	2,00			--
0005	VTRS09813	00009813	WASHER D.25	1,00			--
0006	LAFN40811		FILTER BRACKET PW-C85 10HP AL.	1,00			--
0007	RCVR29600	00029600	SOCKET PTC 3/4 F	1,00			--
0008	FTAC40015		WATER FILTER 3/4 FF 100MS 55L/1 TC	1,00			--
0009	RCVR40006		NIPPLE 3/4 - 3/4 D.18 L=60 PPL	2,00			--
0010	GUGO01043	00001043	O-RING D. 25.07 X 2.62 NBR 70SH	2,00			--
0011	VVAZ86903	00086903	VALVE VB 350 +PR 5	1,00			--
0012	RCIN40041		MALE COUPLING M 24 -3/8M INX RM	1,00			--
0013	LAFN40910		VALVE BRACKET PW-C85/IPC AL.	1,00			--
0014	VTRS00548	00000548	WASHER D.17,5X23X1,5 (3/8)RM	1,00			--
0015	RCDS16328	00016328	SCREW G 1/2 D.8	1,00			--
0016	VTRS00549	00000549	WASHER D.21,5X27X1,5 (1/2) RM	2,00			--
0017	TBAP40209		L.P. HOSE L=350 1/2OC -3/8Mc	1,00			--
0018	RCDS01371	00001371	SCREW G 3/8 A.P.	1,00		10/05/2016	--
0019	VTRS00548	00000548	WASHER D.17,5X23X1,5 (3/8)RM	2,00		10/05/2016	--
0020	TBAP40208		HOSE-FITTING 5/16 R2 L=315 3/8F -3/8F	1,00			--
0021	MOTR40061		3PH MOTOR B3-14 HP15 23/400-50 4P	1,00			--
0022	RCDS00610	00000610	NIPPLE 3/8 - 3/8 SV	1,00			--
0023	PVVR40274		CAP AR SHP +1/4F	1,00			--
0024	MNMN40001		PRESSURE GAUGE 0-600 D.50 INOX	1,00			--
0025	PPAP40077		PUMP SXW 15.35 DX N OT.	1,00			--
0026	VTVT00447	00000447	SCREW TE 8X25 UNI5739	1,00			--
0027	VTRS00513	00000513	WASHER D. 8 X32 P.	1,00			--
0028	RCIN12717	00012717	FEMALE COUPLIN. M24 - 3/8FB	2,00			--
0028	TBAP09770	00009770	H.P. HOSE R2 MT 20 5/16" 3/8 M-M	1,00			--
0029	IPIP42787	00042787	GRIP RL 56 +AR M24 +3/8F SW.	1,00			--
0029	RCIN40041		MALE COUPLING M 24 -3/8M INX RM	1,00			--
0030	MEVR40186		BOX COVER PW-C85 ALL.	1,00			--
0031	MEVR40187		CONTROL BOX PW-C85 15Hp ALL.	1,00			--
0032	GUGO40068		GASKET COPERCH. H132 RV	1,00			--
0033	LCLC42786	00042786	LANCE L=105 S3 350B.IX-1/4+AR8A	1,00			--
0034	LAFN40829		SUPPORT L.60 PW-C85	1,00			--
0035	LAFN40828		BRACKET PW-C85 ZC.	1,00			--
0036	GUGO40067		GASKET H132 RV IP55	1,00			--
0037	UGLN40026		LANCE NOZZLE LECH 1/4 15035 500bar	1,00			--
0038	LAFN40814		COVERING PW-C85 12-15HP AL.	1,00			--
0039	LAFN40905		HANDLE PW-C85 12-15HP/IPC AL.	1,00			--
0040	MPVR32471	00032471	PROD D. 8 BK	4,00			--
0041	MPVR14947	00014947	LANCE REST NYL 66	1,00			--
0042	RCVR40153		ELBOW 3/4"-1/2" M OT.	1,00			--



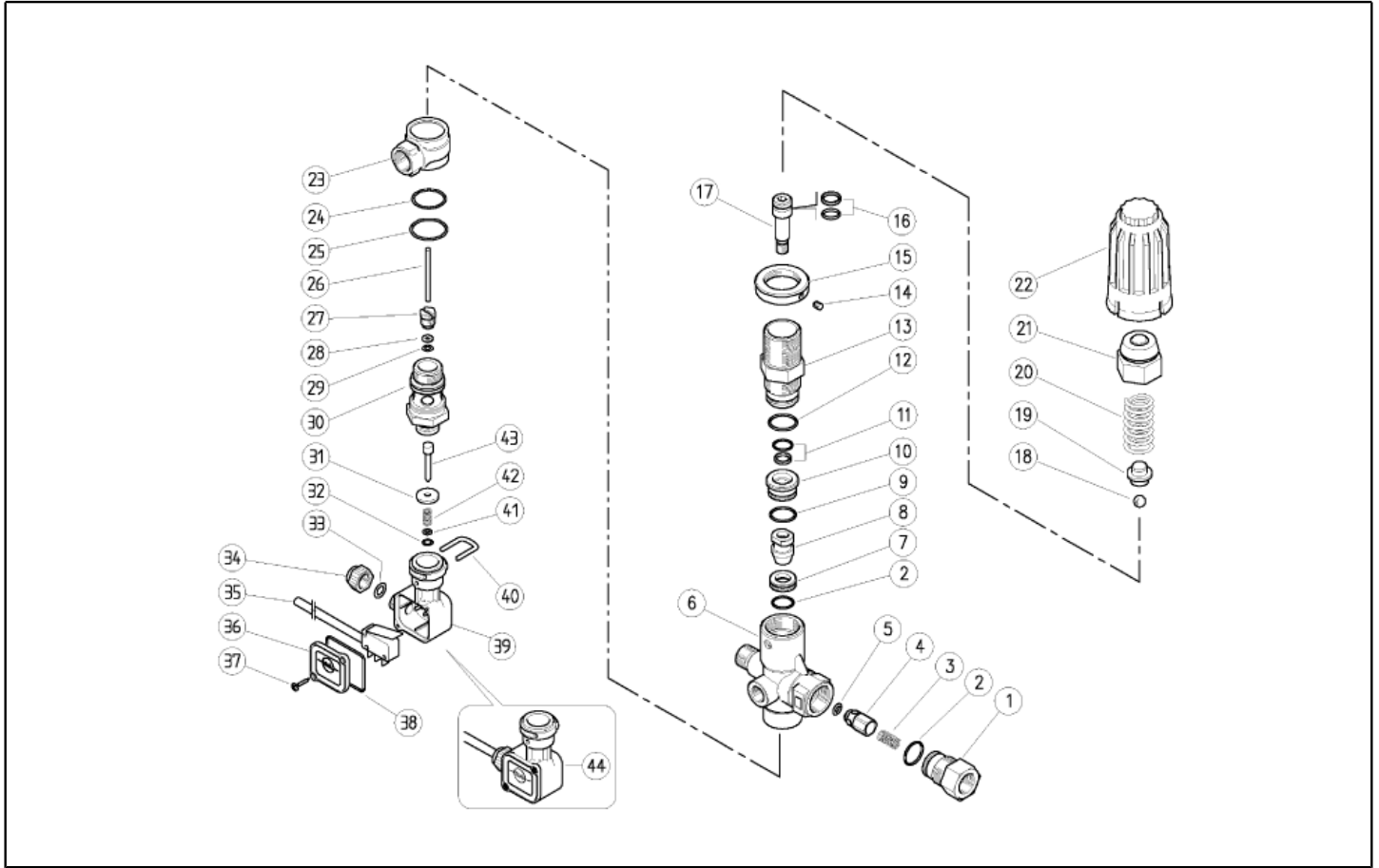
Ref. K	Part n.	Customer part n.	Description	Quantity	Validity		Price
					From	To	
0043	RCVR29602	00029602	CONNECTOR D. 1/2"-5/8" PTC	1,00			--
0044	TBBP40102		L.P. HOSE L=365 3/4F 90° -3/4F 0°	1,00			--
0045	MPVR89160		PROD D. 7-15 L=15 BK.	8,00			--
0046	LCTE40031		HEAD ROTOJET 400 1/4F 035	1,00			--
0047	MPVR40835		RUBBER TOOLFLEX 15-20 BK.	2,00			--
0049	VTVR40056		INSERT M 8 CROWN-NUT IT-D.21.4	1,00			--



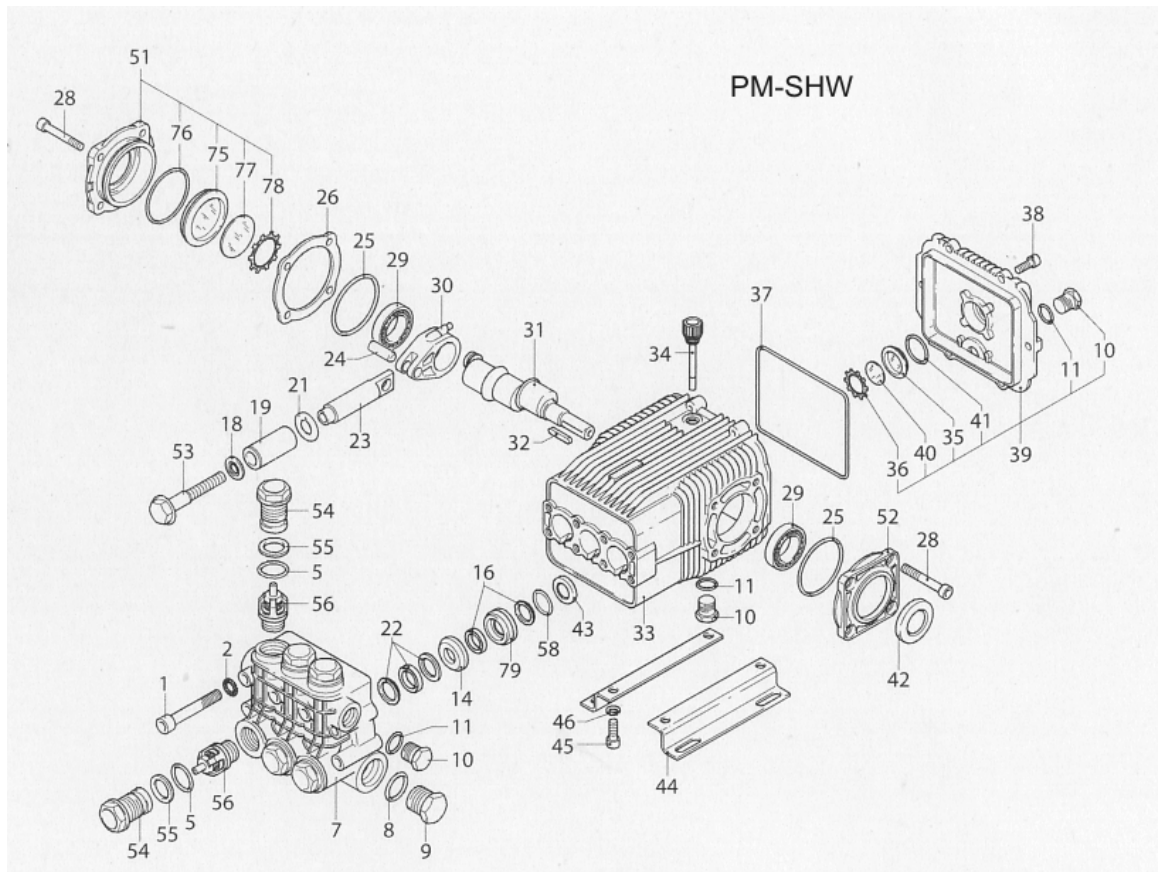
Ref. K	Part n.	Customer part n.	Description	Quantity	Validity		Price
					From	To	
K	METT40048		CONTACTOR CGE CL 25A 300TU 400V 50H	1,00			--
IG	MECI40036		SWITCH BRM BP. 0-1 12A +M.0-I	1,00			--
RT	METT40050		THERMAL RELAY GE RT 1U 21.0 -26.0A	1,00			--
TM	METY40008		TIMER THV/1 400-5/60 30S.AF2.0	1,00			--
CV1	MECB89887		CABLE H07RNF 4X4 L. 6.500	1,00			--



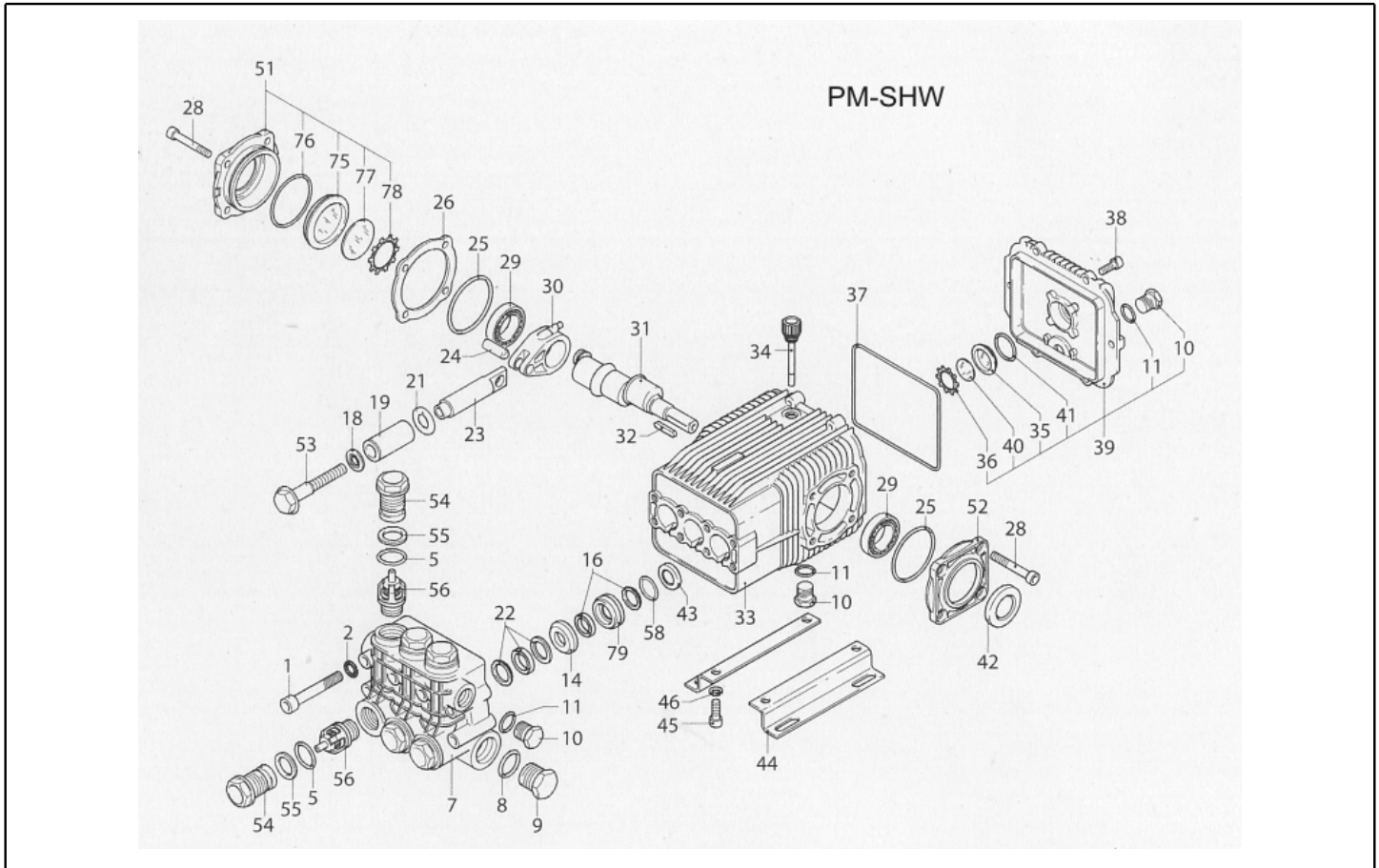
Ref. K	Part n.	Customer part n.	Description	Quantity	Validity		Price
					From	To	
0001	PVVR40390		CONNECTOR VB350 G3/8F OT	1,00			--
0002	S GUGO12321	00012321	O-RING D. 15.6 X 1.78 NBR 90SH	2,00			--
0003	MLML29751	00029751	SPRING VB 7	1,00			--
0004	PVVR40391		COUPLING N/RIT. VB350 IX+OR	1,00			--
0005	S GUGO46053	00046053	O-RING D. 6 X 3 NBR 90SH	1,00			--
0006	PVVR40401		VALVE BODY V280-350/4 OT	1,00			--
0007	S PVVR40392		PISTON SEAT VB 11.6X19X6 IX	1,00			--
0008	S PVVR40393		PISTON VB350 M8 IX	1,00			--
0009	S GUGO24913	00024913	O-RING D. 17.17 X 1.78 NBR 90SH	1,00			--
0010	PVVR40394		SPACER VB350 D.10.3 X23.4 OT	1,00			--
0011	S GUVR40079		GASKET VB 10X14.9 +OR	1,00			--
0012	S GUGO01057	00001057	O-RING D. 20.35 X 1.78 NBR 70SH	1,00			--
0013	PVVR40395		PISTON GUIDE VB350	1,00			--
0014	VTVT12488	00012488	SCREW TCEI 4X 4	1,00			--
0015	PVVR40396		RING NUT M 27X1 OT	1,00			--
0016	S GUVR40080		GASKET VB 9X14 +OR	1,00			--
0017	PVVR40397		PUSH ROD VB350 M8 IX	1,00			--
0018	S SFVR06779	00006779	BALL INOX 11/32	1,00			--
0019	S PVVR40398		CAP VB350 OT.	1,00			--
0020	MLML40031		SPRING D. 4.5X15.8X47 VB	1,00			--
0021	PVVR40399		CAP VB350 OT	1,00			--
0022	PVVR40400		KNOB VB350 RD	1,00			--
0023	PVVR41503	00041503	MANIFOLD VB 9	1,00			--
0024	S GUGO08182	00008182	O-RING D. 21.91 X 1.78 NBR 70SH	1,00			--
0025	S GUGO19290	00019290	O-RING D. 23.52 X 1.78 NBR 70SH	1,00			--
0026	PVVR40026		CONTROL PISTON VB 350 INX	1,00			--
0027	PVVR40027		CAP M 10X1 OT. VB350	1,00			--
0028	GUVR43332	00043332	ANTI-EXTR.RING D. 3.2X 7.5	1,00			--
0029	S GUGO21835	00021835	O-RING D. 2.84 X 2.62 VIT. 80SH	1,00			--
0030	PVVR40028		CONNECTOR VB350 G1/2M OT.	1,00			--
0031	VTRS40019		WASHER D. 4 X16 X2.5 OT	1,00			--
0032	S GUGO01062	00001062	O-RING D. 3.69 X 1.78 NBR 70SH	1,00			--
0033	S GUGO24916	00024916	O-RING D. 6.02 X 2.62 NBR 90SH	1,00			--
0034	MEVR10461	00010461	CABLE CLAMP PR5	1,00			--
0035	MECI41499	00041499	MICROSWITCH 6A PA	1,00			--
0036	MPVR41498	00041498	LID S.T-STOP PR5	1,00			--
0037	VTVT92473		SCREW TCB-TC 2,5X12 ZINC	2,00			--
0038	S GUGO01941	00001941	O-RING D. 28.25 X 2.62 NBR 70SH	1,00			--
0039	MPVR41497	00041497	SHELL T-STOP PR5	1,00			--
0040	LAFN41496	00041496	PLUG "U" PR5	1,00			--
0041	VTRS17740	00017740	WASHER D. 4 X 8	1,00			--
0042	MLML11067	00011067	SPRING D. 8 X20 X1.1 INX PR5	1,00			--
0043	PVVR40029		CONTROL PISTON PR 5	1,00			--
0044	MEPF41516	00041516	PRESSURE SWITCH PA PR 5	1,00			--



Ref. Part n.	Cust. part n.	Description	Reference	Price
KTRI40270		KIT P 14-107 VB350 +PR 5	0002 0005 0007 0008 0009 0011 0012 0016 0018 0019 0024 0025 0029 0032 0033 0038	--

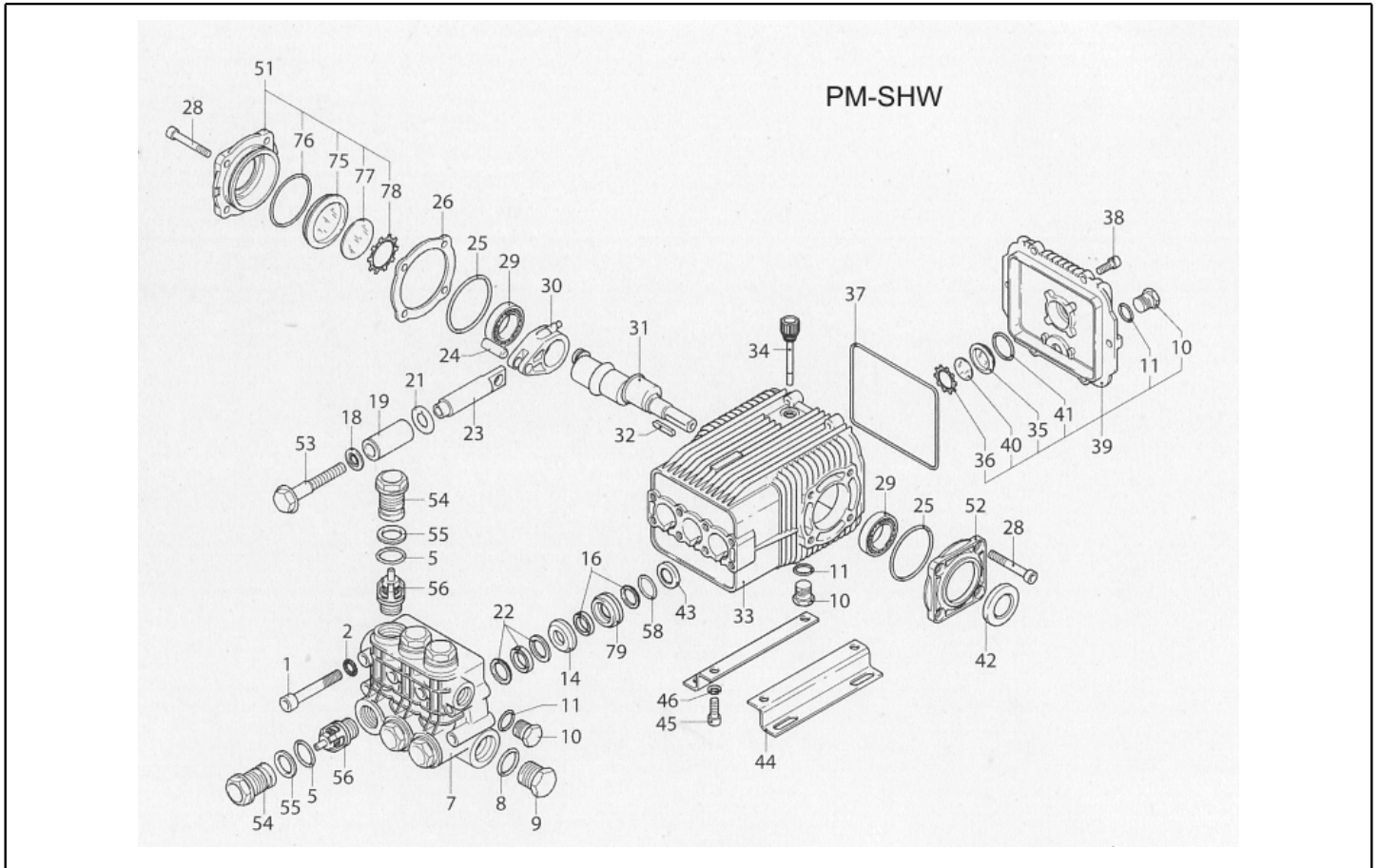


Ref. K	Part n.	Customer part n.	Description	Quantity	Validity		Price
					From	To	
0001	VTVT17597	00017597		8,00			--
0002	VTRS00519	00000519	WASHER D.10 DT	8,00			--
0005	GUGO02259	00002259	O-RING D. 15.54 X 2.62 NBR 70SH	3,00			--
0007	MFVR40037		HEAD AR SXW OT.	1,00			--
0008	GUGO19245	00019245	O-RING D. 17.5 X 2 NBR 70SH	1,00			--
0009	PVVR40121		CAP 1/2 M RC	1,00			--
0010	PVVR40099		CAP 3/8 M HRM	3,00			--
0011	GUGO09720	00009720	O-RING D. 14 X 1.78 NBR 70SH	3,00			--
0014 S	PVVR40206		INTERMED. RING D. 18 SHP	3,00			--
0016 S	GUVR40047		PACKING D. 18 RW W2+W3	3,00			--
0018	VTRS40011		WASHER D. 6X12X1	3,00			--
0019 S	PIVR40008		PISTON D.18 RW	3,00			--
0021	PVVR40197		DISC RW	3,00			--
0022 S	GUVR40049		PACKING D. 18 SHP W1	3,00			--
0023	PVVR40194		PISTON GUIDE RW	3,00			--
0024	PVVR40186		GUDGEON D. 14 RW	3,00			--
0025 S	GUGO01132	00001132	O-RING D. 66.35 X 2.62 NBR 70SH	2,00			--
0026	PVVR40187		THICKNESS AR 0,05 mm	1,00			--
0026	PVVR40189		THICKNESS AR 0,10 mm	1,00			--
0026	PVVR40192		THICKNESS AR 0,19 mm	1,00			--
0026	PVVR40193		THICKNESS AR 0,25 mm	1,00			--
0028	VTVT01118	00001118	SCREW TCEI M 8X16 ZC. UNI 5931	8,00			--
0029	CUVR09205	00009205	ROLLER BEARING 32206 A	2,00			--
0030	BLVR40004		CONNECTING ROD SHP	3,00			--
0031	ALMO40015		SHAFT AR SHP	1,00			--
0032	VTVR06364	00006364	KEY 8 X7 X40	1,00			--
0033	MFVR40032		PUMP CRANKCASE AR RW	1,00			--
0034	PVVR40150		OIL CAP AR SHP	1,00			--
0035	PVVR19238	00019238	OIL INDICATOR XTS	1,00			--
0036	VTAE19239	00019239	SEEGER 0,5 X25,35X16,0	1,00			--
0037 S	GUGO40020		O-RING D. 132 X 3 NBR 70SH	1,00			--
0038	VTVT01531	00001531	SCREW TE 6X 16 UNI 5739	6,00			--
0039	MFVR40034		CRANKCASE COVER AR RW	1,00			--
0040	PVVR40199		DISC CONTRASTO POMPA RW	1,00			--
0041	GUGO19395	00019395	O-RING D. 20.24 X 2.62 NBR 70SH	1,00			--
0042 S	GUGO11229	00011229	OIL SEAL 30X 52X 7 NBR70	1,00			--
0043 S	GUGO40019		OIL SEAL RW	3,00			--
0051	MFVR40035		CRANKCASE COVER AR RW LAT. CPL	1,00			--
0052	MFVR40033		CRANKCASE COVER AR RW LAT. OPEN	1,00			--
0053	VTVT40031		SCREW TE M 6X 60 UNI 5737 A2	3,00			--
0054	PVVR40207		CAP AR SHP	3,00			--
0055	GUVR40048		ANTI-EXTR.RING D.21,5X17,6X1,5	3,00			--
0056 S	VVAM40005		VALVE UNIT SXW	6,00			--
0058 S	GUGO63438		O-RING D. 34.65 X 1.78 NBR 70SH	3,00			--

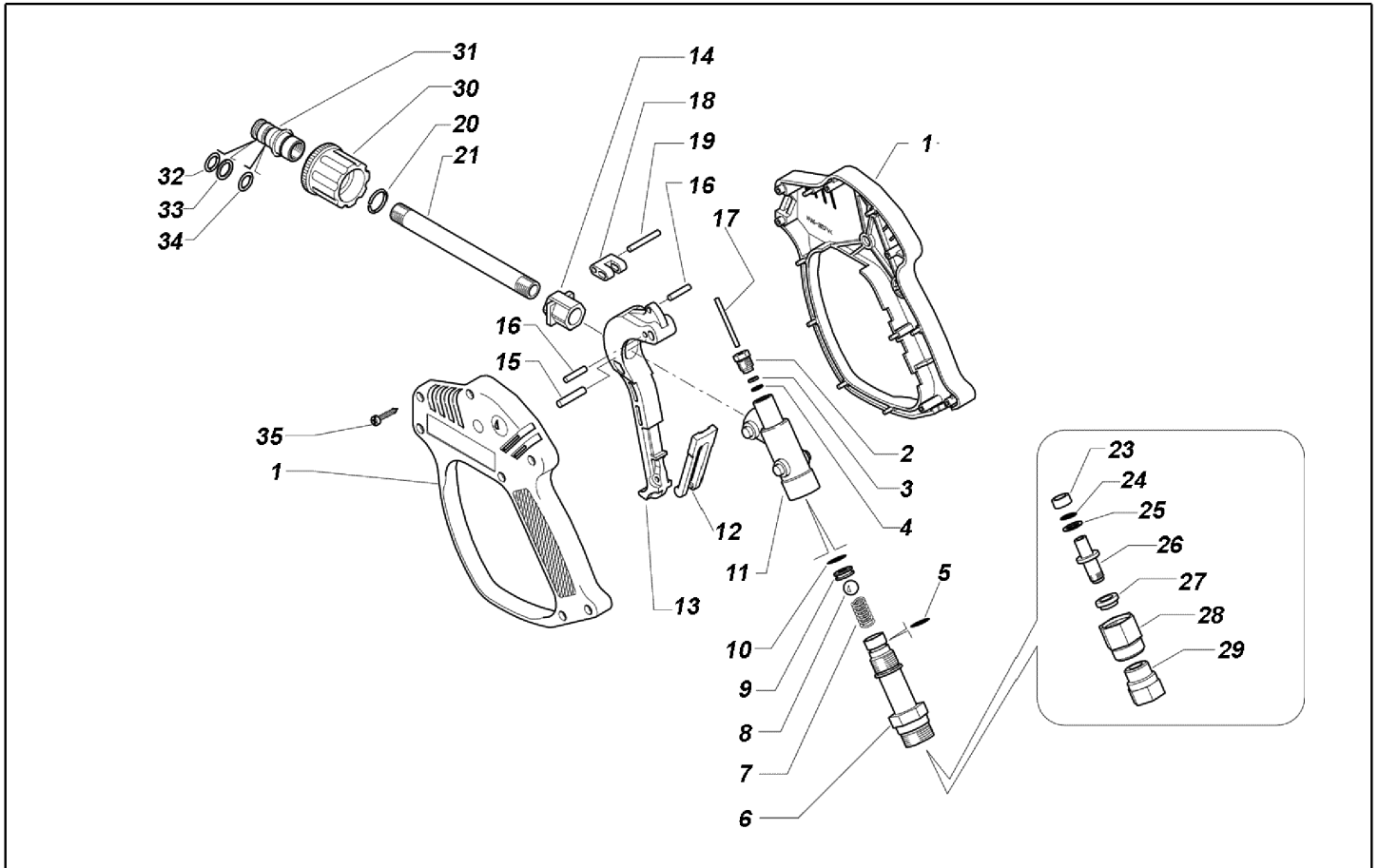


Ref. K	Part n.	Customer part n.	Description	Quantity	Validity		Price
					From	To	
0075	PVVR40200		OIL INDICATOR RW	1,00			--
0076	GUGO01943	00001943	O-RING D. 34.6 X 2.62 NBR 70SH	1,00			--
0077	PVVR40202		DISC CONTRASTO POMPA RW	1,00			--
0078	VTAE40004		SEEGER 0,5 X40,40X30,0	1,00			--
0079	S PVVR40185		INTERMED. RING D. 18 RW	3,00			--
0080	VTVT63067		SCREW STEI M 5X6 ZIN.UNI5923	1,00			--

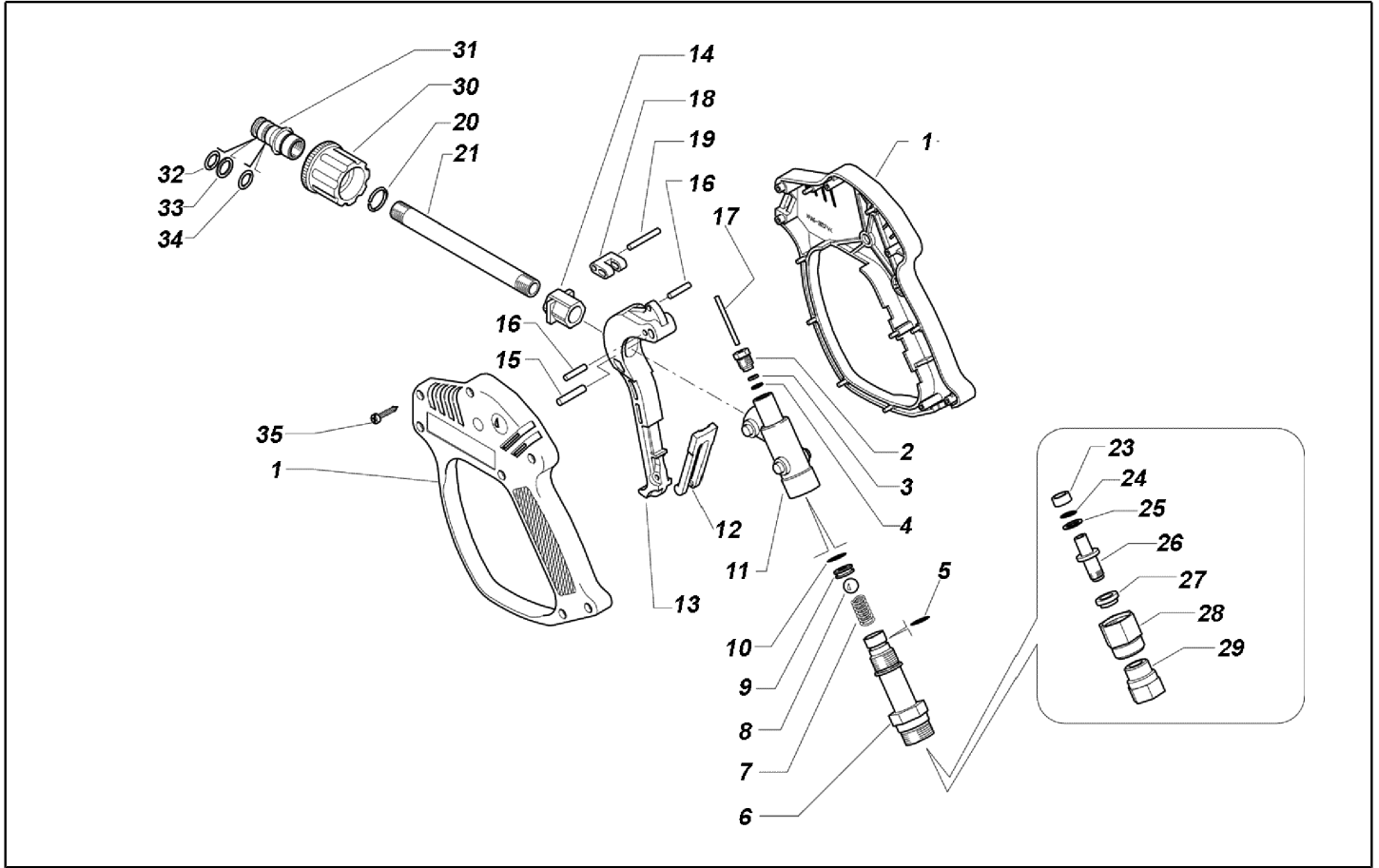




Ref. Part n.	Cust. part n.	Description	Reference	Price
K A	KTRI40165	KIT P 15-2871 SXW	0056	--
K B	KTRI40157	KIT P 15-42911 D.18 RW	0019	--
K C	KTRI40162	KIT P 15-42912 SHP	0025 0037 0042 0043	--
K E	KTRI40163	KIT P 15-42913 D.18 SHP	0016 0022 0058	--
K H	KTRI40164	KIT P 15-42120 D.18 SHP	0014 0079	--



Ref. K	Part n.	Customer part n.	Description	Quantity	Validity		Price
					From	To	
0001	MPVR40100		BODY RL 55 2PZ.	1,00			--
0002	RCDS43331	00043331	CAP M 10X1 RL55	1,00			--
0003	S GUVR43332	00043332	ANTI-EXTR.RING D. 3.2X 7.5	1,00			--
0004	S GUGO17952	00017952	O-RING D. 2.84 X 2.62 NBR 70SH	1,00			--
0005	S GUGO11652	00011652	O-RING D. 12.42 X 1.78 NBR 70SH	1,00			--
0006	PVVR40052		TUBE G 1/4" M P/SW.	1,00			--
0007	MLML43334	00043334	SPRING D.10.4X24 RL	1,00			--
0008	S SFVR06779	00006779	BALL INOX 11/32	1,00			--
0009	S PVVR21258	00021258	SEAT D.6	1,00			--
0010	S GUGO19194	00019194	O-RING D. 11.11 X 1.78 NBR 70SH	1,00			--
0011	PVVR43335	00043335	GUN BODY RL55	1,00			--
0012	MPVR38722	00038722	SAFETY-DEVICE RL25	1,00			--
0013	MPVR43336	00043336	TRIGGER RL55	1,00			--
0015	VTVR43337	00043337	PIN D. 5 X 33 RL55	1,00			--
0016	VTVR07058	00007058	PLUG D. 4X20 HM	2,00			--
0017	S PVVR43338	00043338	SMALL PISTON RL55 D. 3X38	1,00			--
0018	MPVR43339	00043339	CONNECTING ROD RL55	1,00			--
0019	VTVR43340	00043340	PIN D. 4 X 29 RL55	1,00			--
0020	VTAE40001		CIRCLIP D.16 AR4	1,00			--
0021	PVVR40051		TUBE G 1/4 RL55 2V.	1,00			--
0023	PVVR40053		BUSHING SW.RL55	1,00			--
0024	GUGO10525	00010525	O-RING D. 9.3 X 2.4 NBR 70SH	1,00			--
0025	GUVR38711	00038711	ANTI-EXTR.RING D.10.2X13.9	1,00			--
0026	PVVR40054		CENTRAL BODY SW.RL55 INX	1,00			--
0027	PVVR40055		BUSHING SW.RL55 EXT.	1,00			--
0028	PVVR40056		RING NUT SWIVEL RL55	1,00			--
0029	PVVR40057		NIPPLE SW.RL55 INX	1,00			--
0030	PVVR40050		CONNECTION M24X1.5 AR4 BL.	1,00			--
0031	PVVR40049		COUPLING G 1/4F RL55-AR4	1,00			--
0032	GUGO10525	00010525	O-RING D. 9.3 X 2.4 NBR 70SH	1,00			--
0033	GUVR38711	00038711	ANTI-EXTR.RING D.10.2X13.9	1,00			--
0034	GUGO10525	00010525	O-RING D. 9.3 X 2.4 NBR 70SH	1,00			--
0035	VTVT13234	00013234	SCREW TCB-TC 3.5X19 NIK	7,00			--



Ref. Part n.	Cust. part n.	Description	Reference	Price
KTRI43343	KIT P 26- 18		0003 0004 0005 0008 0009 0010 0017	--