



IPC

Spare parts list

Ref: ASDO15517

Cust.ref: 185047

Model: VACUUM CLEANER GS3/78OPT CYC TOPPER 433

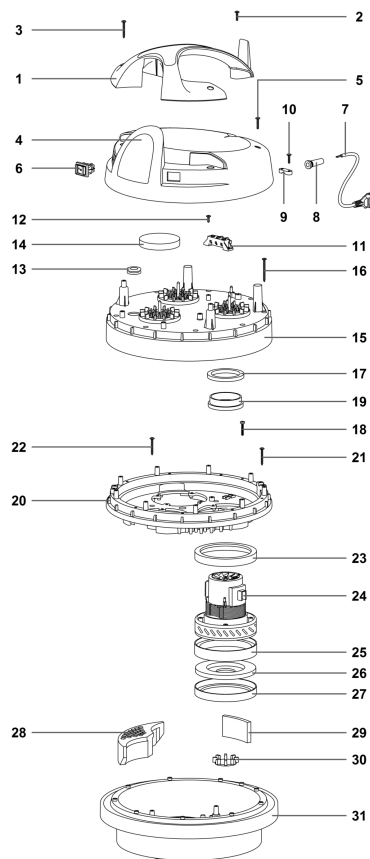
Cust.model:



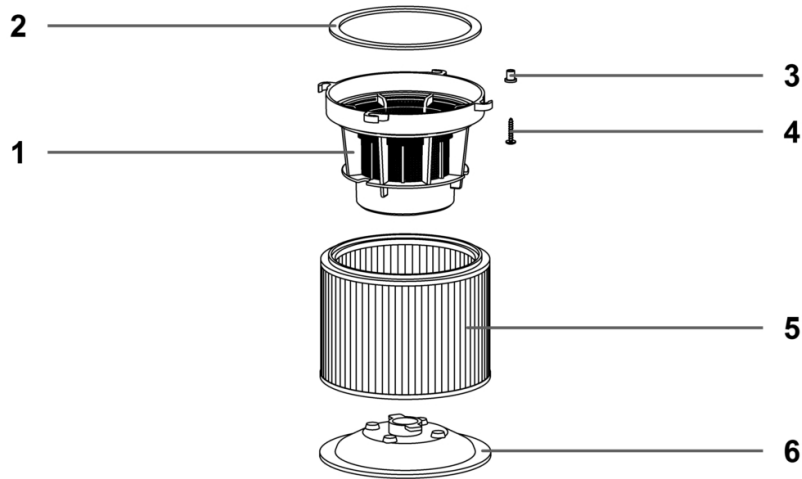
IPC Integrated Professional Cleaning

IPC Soteco

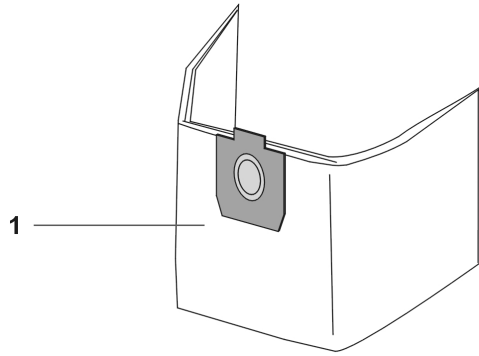
Ref. K	Part n.	Customer part n.	Description	Quantity	Validity		Price
					From	To	
0001	PMTA08599		HEAD TOPPER 433 C/P VE/NE	1,00			--
0002	KTRI04357	04245 ECO	FILTERING KIT C/CART.HEPA ALT.=125 H13	1,00			--
0003	FTDP00462	00338-SC-TEX	MICROFIBER FILTER BAG 338-SC-TEX	1,00			--
0004	PMFU02611		TANK DEC.400 G/F S/F COMP ICS	1,00			--
0005	PMVR06069	06637	CYCLONE 400 COMP.	1,00			--
0006	PMFU02649		TANK 400 B.CICL.A430 OPT COMP	1,00			--
0007	CARR01819		TROLLEY OPTIM 600 BASIC SMALL	1,00			--



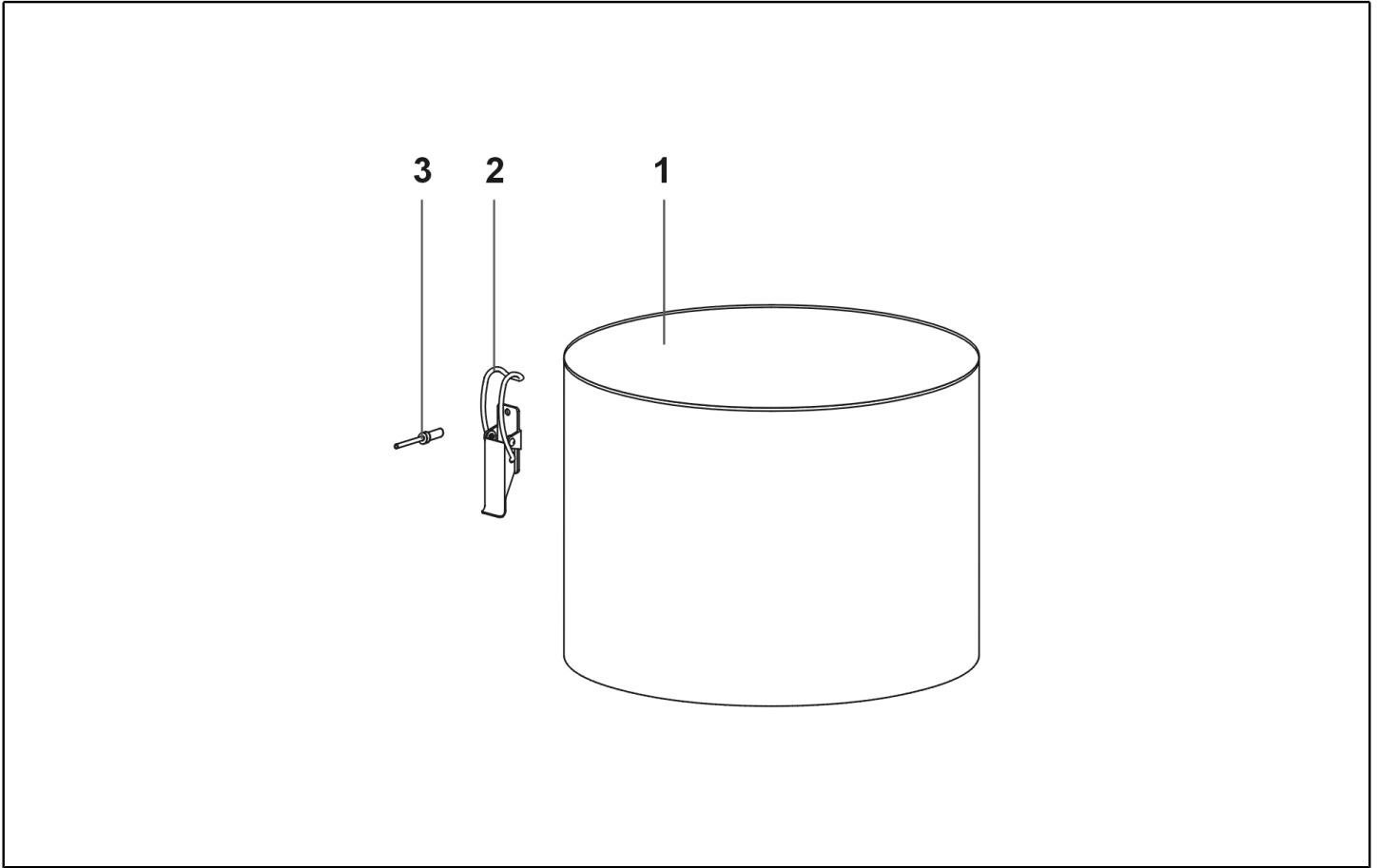
Ref. K	Part n.	Customer part n.	Description	Quantity	Validity		Price
					From	To	
*	MECB01818	07632 L TP 1200	WIRING 50CM MOTOR-TP 1200	3,00			--
*	FSVR00127	01106	CLAMP	4,00			--
*	MECB35712	01107	WIRE WITH RESISTANCE	1,00			--
0001	MPVR08307	020727VEI	HANDLE TOPPER 600 GREEN IPC	1,00			--
0002	VTVT71961	01006	SCREW PFU TMT PHL 5X20 BLACK	1,00			--
0003	VTVT72106	02627	SCREW PAT TMT PHL 5X40 BLACK	2,00			--
0004	PMVR06241		COVER TOPPER 600 NE 3INT	1,00			--
0005	VTVT72055	01979	SCREW PFU TMT PHL 5X25 ZN BLACK	2,00			--
0006	MECI28744	00484	ANTISPLASH RED LIGHT SWITCHER	3,00			--
0007	MECB31445	04062	ELECTRIC CORD 2X1,5 MT.8,5	1,00			--
0008	MEVR28673	00138	FAIRLEAD	1,00			--
0009	MPVR28690	00139	CABLE CLAMP	1,00			--
0010	VTVT71961	01006	SCREW PFU TMT PHL 5X20 BLACK	1,00			--
0011	MEVR02008	03494	TERM.BOARD 400-600 3MOT.RAD	1,00			--
0012	VTVT71960	01005	SCREW PAT TMT PHL 5X14 ZN BLACK	2,00			--
0013	MEVR72017	01502	GUIDING SLIT FOR QUICK COUPLING	1,00			--
0014	FTDP38064	03937	FILTER MTP/65 H=15 D.95	3,00			--
0015	MPVR08519	021768VEI	COVERING 600 GREEN IPC	1,00			--
0016	VTVT40007	03273	SCREW PAT TMT PHL 5X55 BLACK	9,00			--
0017	MPVR38371	03969	WASHER H8 D85X65	3,00			--
0018	VTVT01181	03189	SCREW TC CROSS M 5X30 UNI 7687	1,00			--
0019	MPVR86282	00310	RING MOTORE H=7 (15) PLAST.	3,00			--
0020	MPVR89502	02937NE	MOTOR-FASTENER NEV.600 BLACK	1,00			--
0021	VTVT72106	02627	SCREW PAT TMT PHL 5X40 BLACK	9,00			--
0022	VTVT72106	02627	SCREW PAT TMT PHL 5X40 BLACK	3,00			--
0023	GUGO28683	03901	"L" GASKET W/O HOLES H=5,5	3,00			--
0024	MOMO40006	020047	MOT.BS282 1200W 220-240 50/60 MONO	3,00			--
0025	GUVR00397	07711	"L" GASKET S/F H=16	3,00			--
0026	MPVR89143	07164	OUTDISTANCED SINGLE-STAGE H=13MM	3,00			--
0027	GUGO28683	03901	"L" GASKET W/O HOLES H=5,5	3,00			--
0028	FTDP38057	03454	ANTINOISE TRIANGLE H=51	3,00			--
0029	FTDP28745	03456	GASKET MTP/30 AU-AD 50X10X85	3,00			--
0030	MPVR28748	00468	AUTOMATIC VALVE	3,00			--
0031	MPVR38059	03108 PNE	BASE 600/400 W/STAT.PLATE BLACK	1,00			--



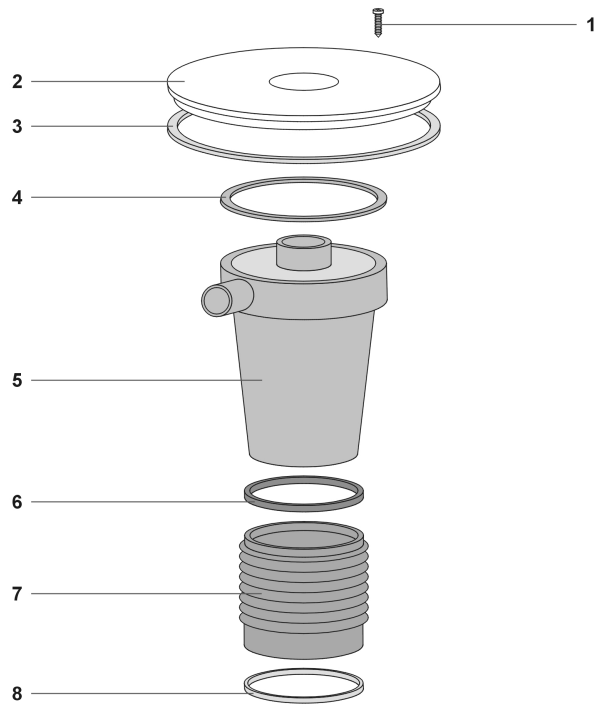
Ref. K	Part n.	Customer part n.	Description	Quantity	Validity		Price
					From	To	
0001	MPVR40590	021242NE	NET ANTIFOAM BODY LOW	1,00			--
0002	GUVR40078	03735-2	GASKET H3 DS50 W/ANTIFOAM BODY	1,00			--
0003	MPVR35796	03706	PLASTIC SLEEVE D.8	4,00			--
0004	VTVT36751	03724	SCREW PAT TMT PHL 5X25	4,00			--
0005	FTDP28843	02881	CARTRIDGE HEPA ALT.=125 H13	1,00			--
0006	MPVR28723	02855	COMPL.RING FOR FILTER	1,00			--



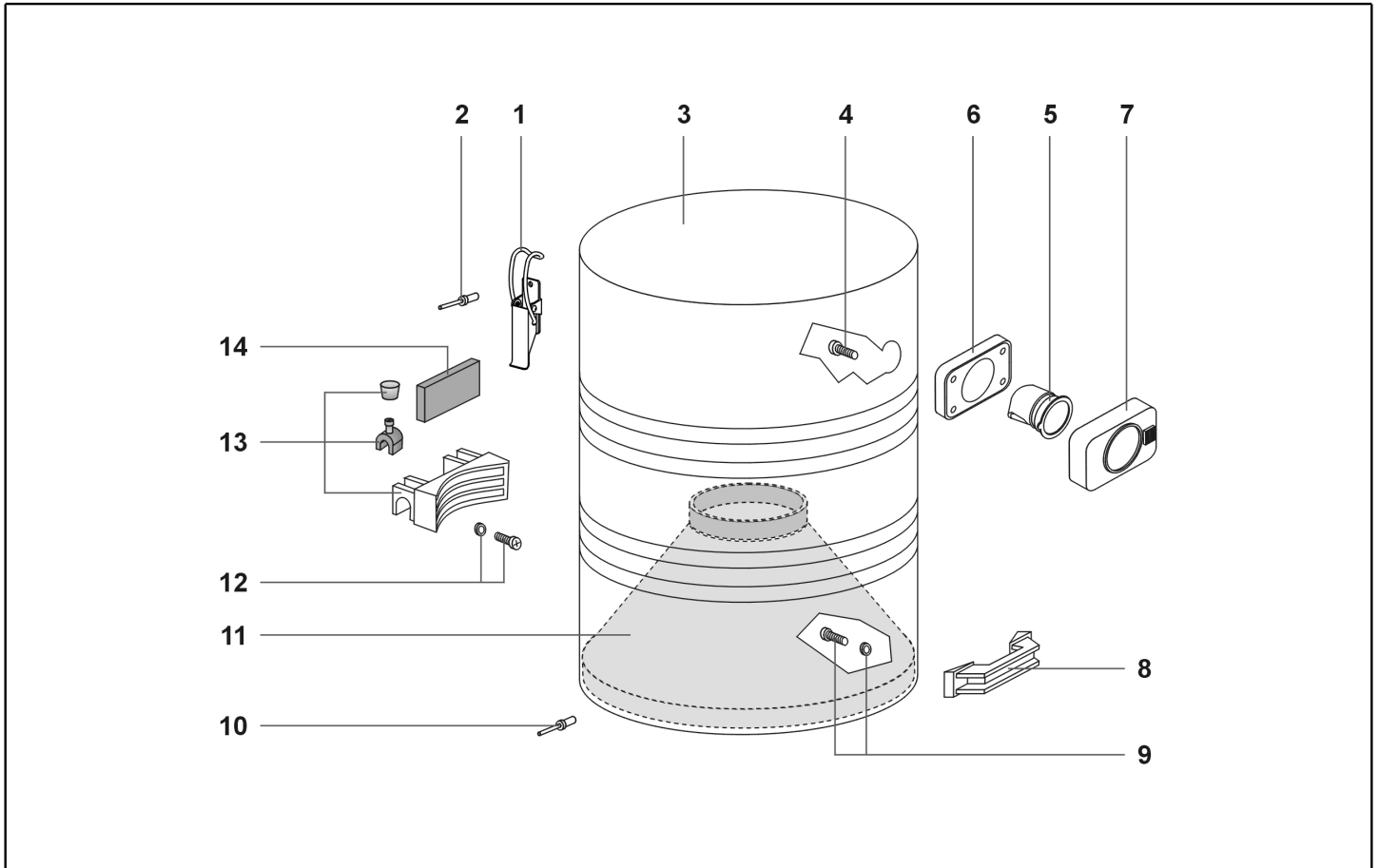
Ref. K	Part n.	Customer part n.	Description	Quantity	Validity		Price
					From	To	
0001	FTDP00462	00338-SC-TEX	MICROFIBER FILTER BAG 338-SC-TEX	1,00			--
0001	FTDP00462	00338-SC-TEX	MICROFIBER FILTER BAG 338-SC-TEX	1,00			--



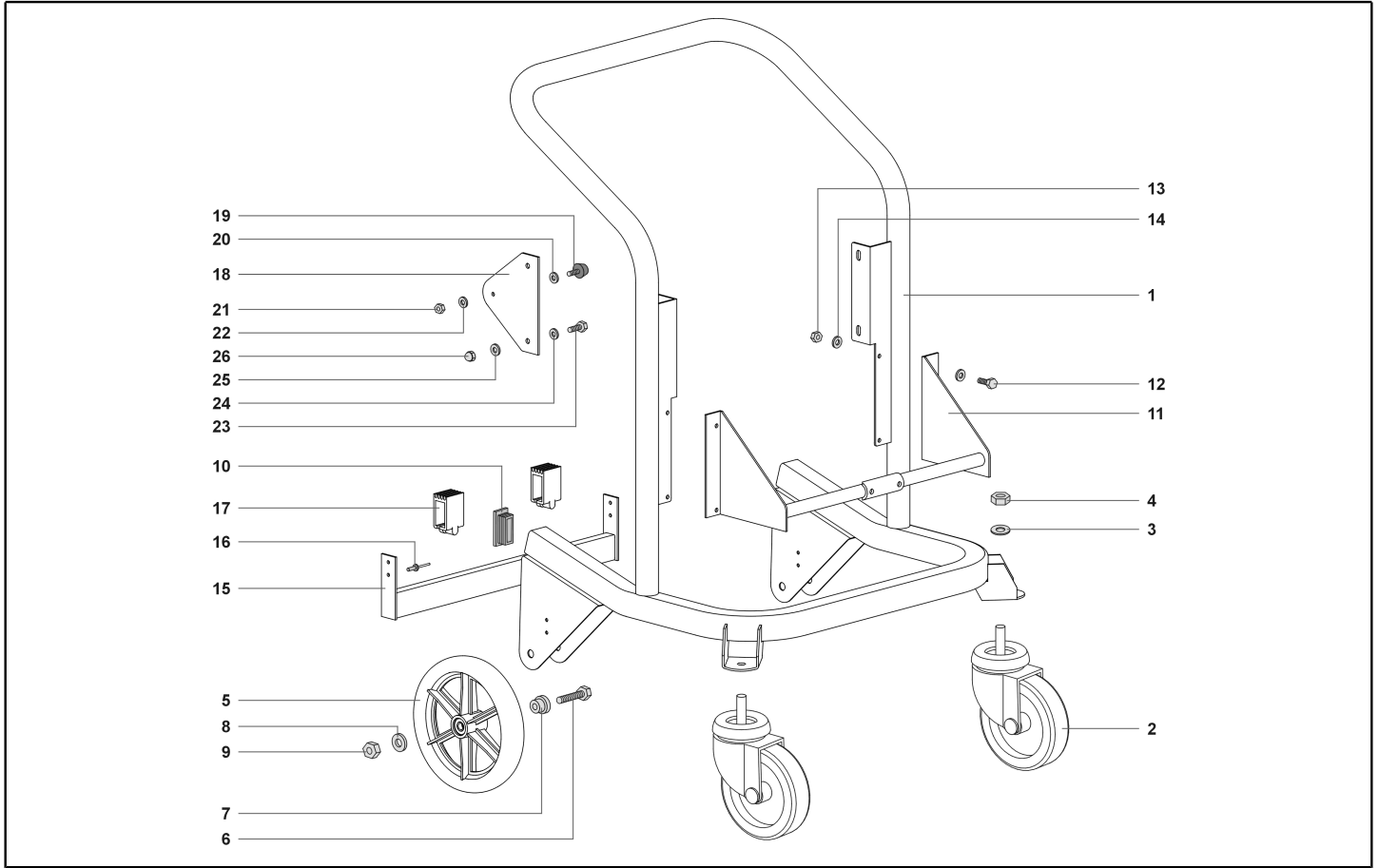
Ref. K	Part n.	Customer part n.	Description	Quantity	Validity		Price
					From	To	
0001	LAFN10862		TANK DEC.400 H=330 A430 S/F IC	1,00			--
0002	CHVR40000	07390	UNIVERSAL METAL HOOK	2,00			--
0003	VTVR71991	01301	RIVET 5X11	4,00			--



Ref. K	Part n.	Customer part n.	Description	Quantity	Validity		Price
					From	To	
0001	VTVT71960	01005	SCREW PAT TMT PHL 5X14 ZN BLACK	4,00			--
0002	MPVR10450	03179	SUPPORT CICLONE 400	1,00			--
0003	GUVR37740	03180	CYCLON GASKET L=1230	1,00			--
0004	GUVR40021	02921A-1	CONVEYOR GASKET 600 A	1,20			--
0005	MPVR10474	03609	SLIDING BLOCK CICLONE W/CONE	1,00			--
0006	CNPR00407	03537	ELASTIC D.75X15 H	1,00			--
0007	MPVR06690	03425	PROTECTOR D.80	1,00			--
0008	FSVR72169	03068	CLAMP 8M 78/98	1,00			--



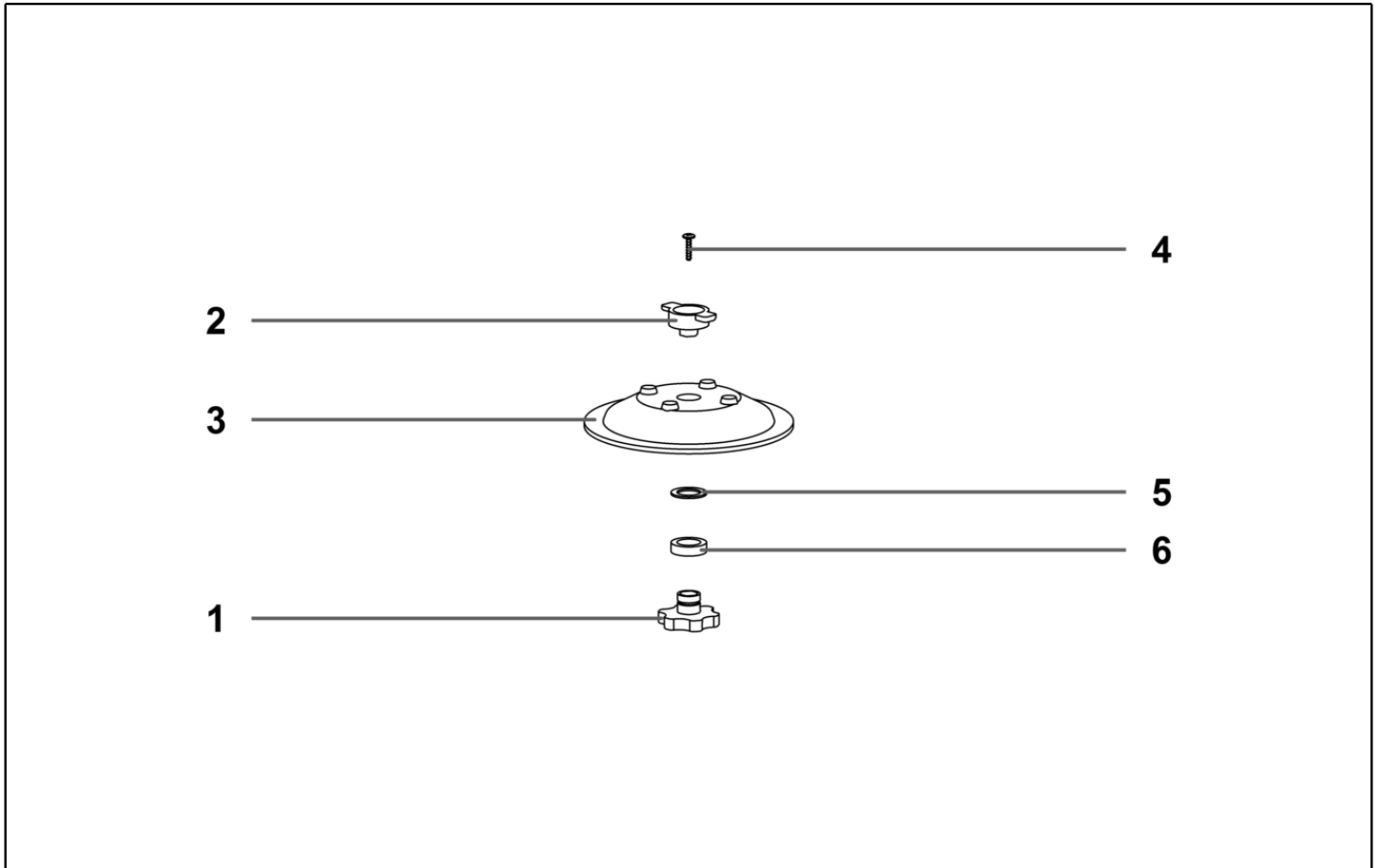
Ref. K	Part n.	Customer part n.	Description	Quantity	Validity		Price
					From	To	
0001	CHVR40000	07390	UNIVERSAL METAL HOOK	2,00			--
0002	VTVR71991	01301	RIVET 5X11	4,00			--
0003	PMFU02652		TANK 400 BASC.H=685 SP07 A430	1,00	19/12/2016		--
0004	VTVT72055	01979	SCREW PFU TMT PHL 5X25 ZN BLACK	4,00			--
0005	MPVR09191	02767 COND	BAFFLE 99/60 CONDUCTIVE	1,00			--
0006	MPVR08670	02586 COND	GASKET R 205 CONDUCTIVE	1,00			--
0007	MPVR11445		PIPE UNION 99/60 NE P/VEI A/G5 COND	1,00			--
0008	MPVR28737	02993-1NE	BLACK HANDLE	1,00			--
0009	RIGE00015	03968	COMPLETE SEAL W/SCREW L=25	2,00			--
0010	VTVR71991	01301	RIVET 5X11	4,00			--
0011	MPVR10471	03509	CONVEYOR 400 CICLONE	1,00			--
0012	RIGE00015	03968	COMPLETE SEAL W/SCREW L=25	4,00			--
0013	MPVR06993	020233	HINGE GROUP BASC COMP	1,00			--
0014	GUVR00559		GASKET 10X5x1 ADESIVA	1,00			--



Ref. K	Part n.	Customer part n.	Description	Quantity	Validity		Price
					From	To	
0001	LAFN10812	030381	FRAME OPTIM 600 SMALL	1,00			--
0002	RTRT00455	06896	WHEEL DIA.150 M12X35	2,00			--
0003	VTRS00394	01028	WASHER M 12 UNI 6592	2,00			--
0004	VTDD72060	02052	LOW SELF-LOCKING NUT M 12	2,00			--
0005	RTRT00480	030157	WHEEL PU DIA.245X50	2,00			--
0006	VTVT01414		SCREW TE M12X75 UNI 5737 8.8 Z	2,00			--
0007	PVVR00381		SPACER RUOTA D.245 OPT SMALL	2,00			--
0008	VTRS00394	01028	WASHER M 12 UNI 6592	4,00			--
0009	VTDD72060	02052	LOW SELF-LOCKING NUT M 12	2,00			--
0010	MPVR06895	06835	PLASTIC TOP 40X40	2,00			--
0011	LAFN09581	030158	HINGE AXIS	1,00			--
0012	VTVT01019	01001	SCREW TE M 6X16 UNI 5739	4,00			--
0013	VTDD00222	01003	NUT M 6 UNI 5588	4,00			--
0014	VTRS00400	01052	WASHER M 6 UNI 6592	8,00			--
0015	LAFN10829		CARRYNG BAG TANK BASC. OPTIM SMALL	1,00			--
0016	VTVR00395	01302 INOX	RIVET 4,8X15 INOX	4,00			--
0017	MPVR06691	03450	FOOT TIPPING BEARING	2,00			--
0018	LAFN09583	030160	PLATE FOOT	2,00			--
0019	ABGO00062	030189	BUMPER H=17 M6X15	2,00			--
0020	VTRS00389	01002	CRICKET M 6X18X1,5 UNI 6593	2,00			--
0021	VTDD00230	01650	SELF-LOCJ.NUT M 6 SMALL UNI 7474	2,00			--
0022	VTRS00400	01052	WASHER M 6 UNI 6592	2,00			--
0023	VTVT01392	07136-1	SCREW TBEI 8X16 UNI 7380 INOX	4,00			--
0024	VTVR71963	01010	WASHER 8X24	4,00			--
0025	VTRS00396	01034	WASHER M 8 UNI 6592	4,00			--
0026	VTDD00214	00130	NUT M 8 UNI 5721	4,00			--



Ref. K	Part n.	Customer part n.	Description	Quantity	Validity		Price
					From	To	
0001	GUVR40078	03735-2	GASKET H3 DS50 W/ANTIFOAM BODY	1,00			--
0001	GUVR40078	03735-2	GASKET H3 DS50 W/ANTIFOAM BODY	1,00			--



Ref. K	Part n.	Customer part n.	Description	Quantity	Validity		Price
					From	To	
0001	MPVR07254	020544	KNOB RAPID ATTACK	1,00			--
0002	MPVR07253	020543	HOOKING RAPID ATTACK	1,00			--
0003	MPVR06630	02821	DISC FILTER SUPPORT	1,00			--
0004	VTVT71961	01006	SCREW PFU TMT PHL 5X20 BLACK	1,00			--
0005	VTRS00418	03011	WASHER P.P. 30X20X1,5	1,00			--
0006	VTRS00419	03012	WASHER SPONGE RUBBER 30X20X8	1,00			--