



IPC Integrated Professional Cleaning

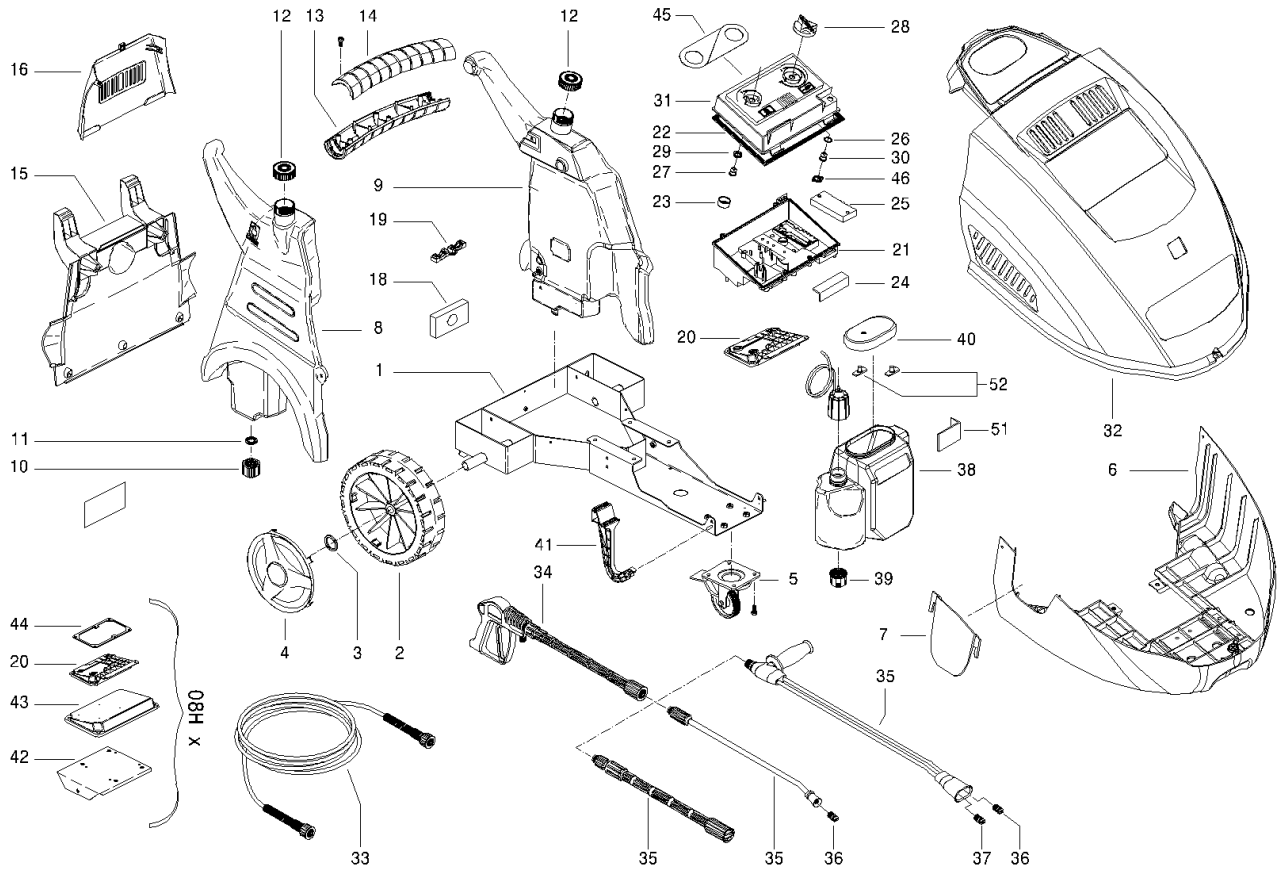
IPCPortotecnica

Spare Parts List

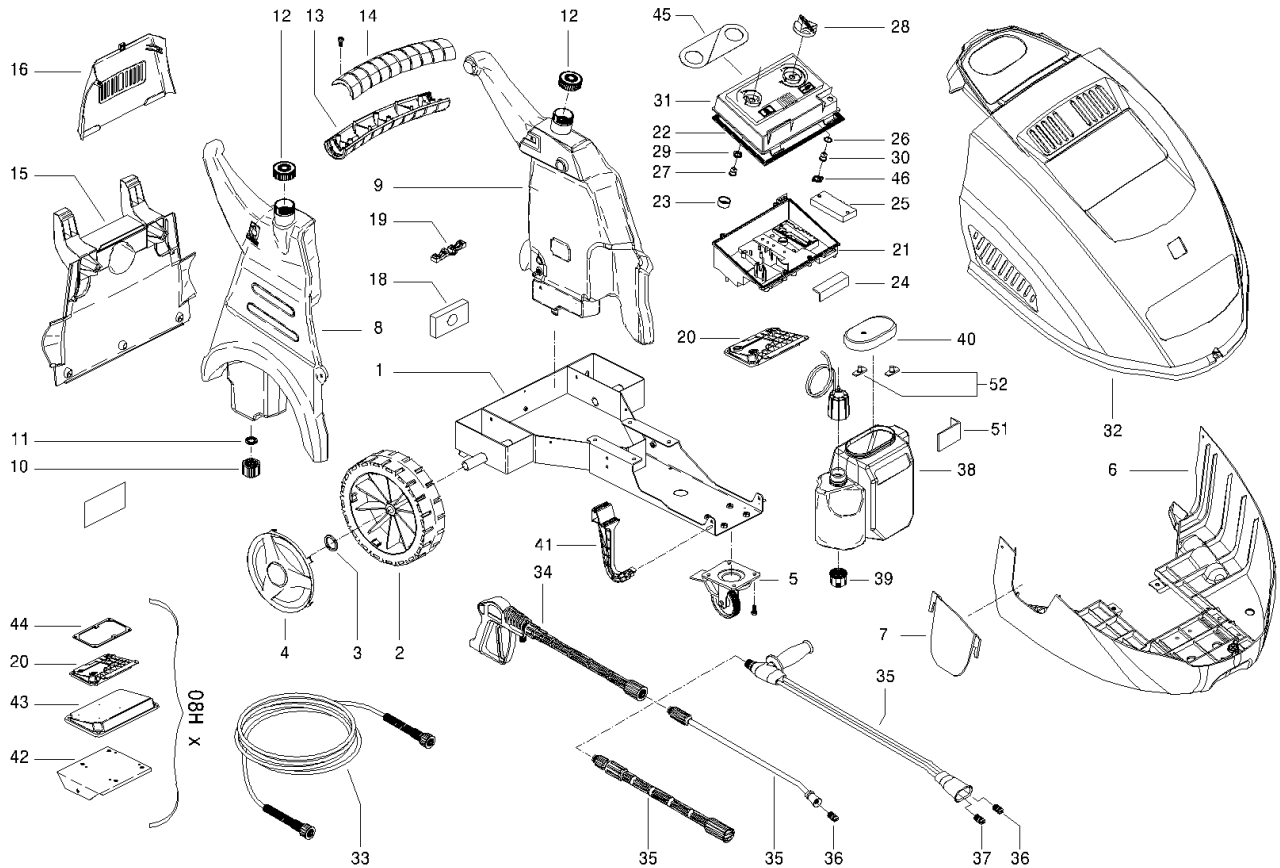
FOMA NORGE AS

Ref: IDAC88836

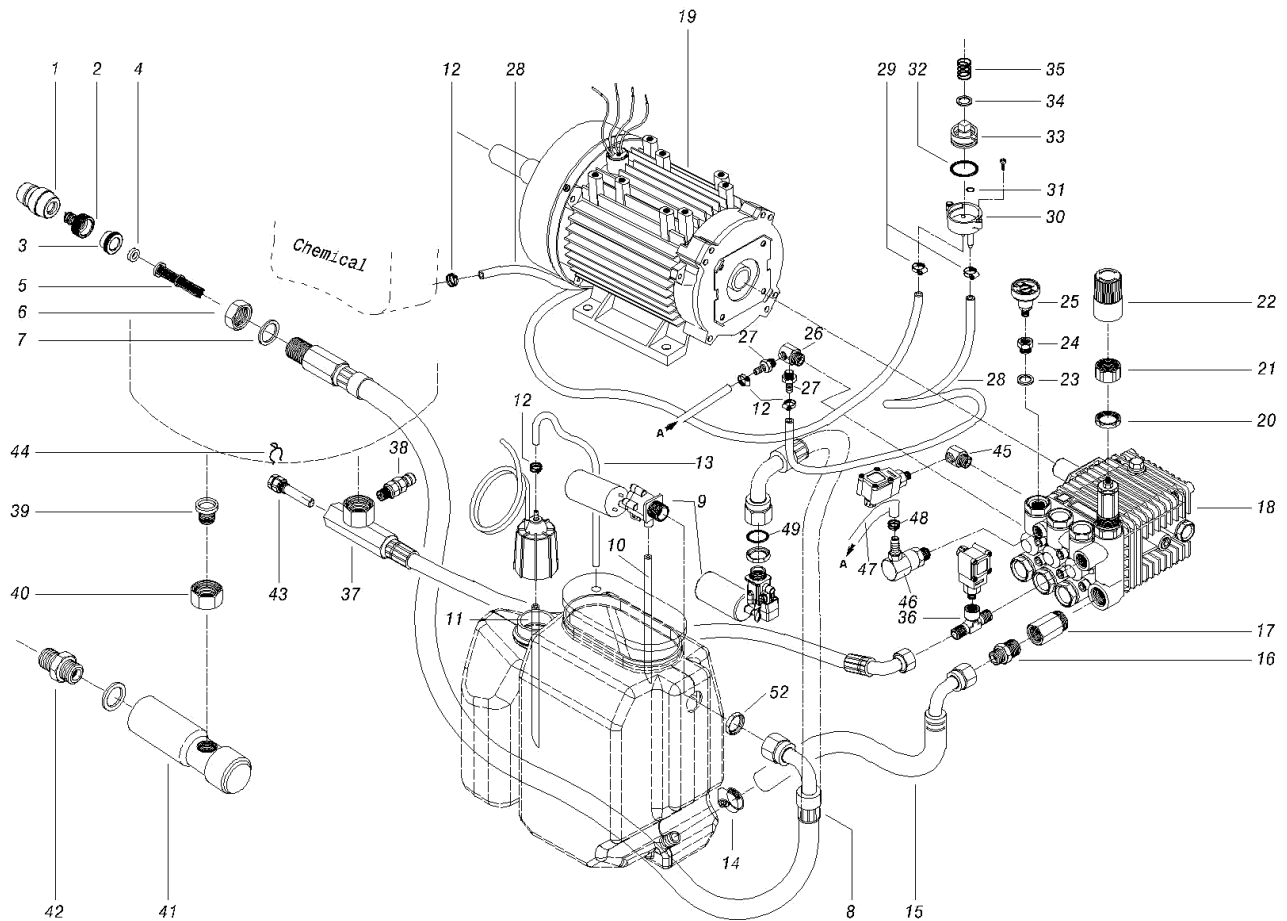
Model: IDROP CHALLENGE PDS1310 M 230/50 3-01FOM



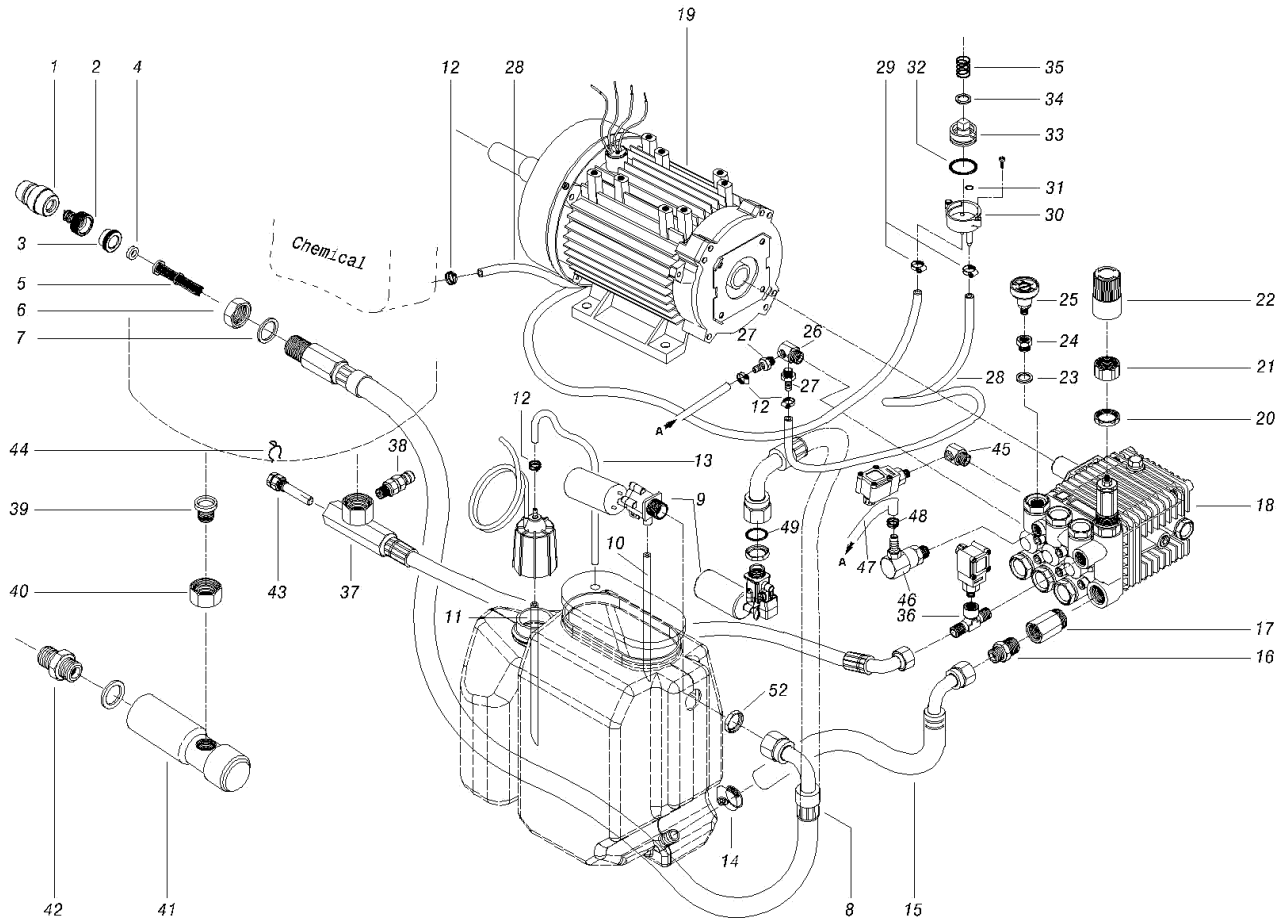
Ref.	K	Part N.	Customer Part N.	Description	Qty	Validity:		Price
						From	To	
0001		LAFN48333		CHASSIS P190 BK	1,00		05/2003	--
0001		LAFN48940		CHASSIS P190 2V. BK.	1,00	05/2003		--
0002		RTRT45383		WHEEL D.305-D.25 RT-IPC	2,00			--
0003		VTRS09813		WASHER D.25	2,00			--
0004		MPVR45384		RED WHEEL COVER. 305 RT-PRT	2,00			--
0005		RTRT47975		TURNING WHEEL D.100 P MZ.PLS.	1,00			--
0006		MPVR48384		COVER P190 PPL.BK	1,00			--
0007		MPVR48383		DOOR P190 PPL.BK	1,00			--
0008		MPVR48088		TANK P190 PEHD	1,00			--
0009		MPVR48087		FUEL TANK P190 PEHD	1,00			--
0010		PVVR11806		DISCHARGE CAP FLL	2,00			--
0011		GUGO11489		GASKET D.22X1,5	2,00			--
0012		MPVR45426		TANK CAP P176 PEHD	2,00			--
0013		MPVR48495		HANDLE P190 PA6 BK.	1,00			--
0014		MPVR48496		HANDLE P190 PA6 BK.	1,00			--
0015		MPVR48116		BACK PANEL P190 PPL BK.	1,00			--
0016		MPVR48390		BACK PANEL P190 PPL RD.	1,00			--
0018		LAFN48323		SUPPORT P190 BK	1,00		05/2003	--
0019		MEVR33994		CABLE FASTNER 4228 B D. 6- 18	1,00			--
0020		MPVR47818		PLATE P190 PA6 BK.	1,00			--
0021		LAFN20138		CONTROL BOX KSM	1,00		05/2004	--
0021		LAFN20138		CONTROL BOX KSM	1,00	05/2004	12/2004	--
0021		MPVR87644		CONTROL BOX P190 C/F.THS NY.	1,00	05/2004	12/2004	--
0022		GUGO27129		JOINT 10X3	1,05			--
0023		GUGO48319		GASKET D. 12.5-16.5X1 NBR	1,00			--
0024		LAFN30211		SUPPORT SLR	1,00	05/2004		--
0024		LAFN30211		SUPPORT SLR	1,00		05/2004	--
0025		MPVR20143		CABLE CLAMP COVKSM	1,00			--
0026		GUGO01035		O-RING D. 13.95 X 2.62 NBR 70SH	1,00			--
0027		MPVR23482		TAIL PIECE TEC. TUV	1,00			--
0028		MPVR20190		GREY KNOB KSM	3,00			--
0029		GUGO23079		V-SEAL RING VA0014 13.5- 15.5	1,00			--
0030		MPVR23484		TAIL PIECE THERM.KSM TUV	1,00			--
0031		LAGR20140		BOX COVER KSM BK	1,00	01/2005		--
0031		LAGR20140		BOX COVER KSM BK	1,00		12/2004	--
0031		MPVR88820		BOX COVER P190 C/F.THS BK.	1,00	01/2005		--
0032		MPVR48385		RED COVER P190 SUP. PP	1,00			--
0033		TBAP48829		H.P. HOSE R1 MT 8 1/ 4" -2 IRV F	1,00			--
0034		IPPR45298		GRIP G 4500 - P 330 - M22 M V	1,00			--



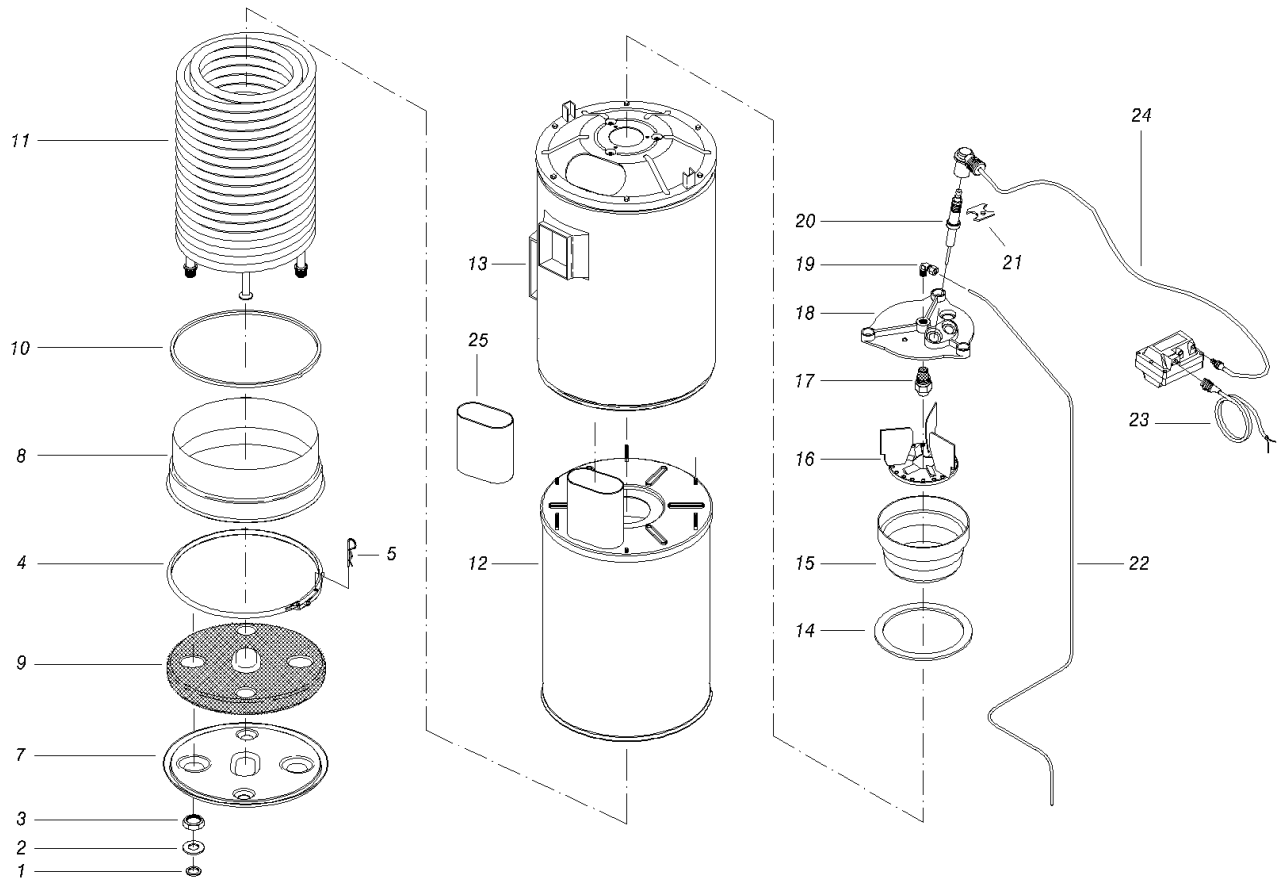
Ref. K	Part N.	Customer Part N.	Description	Qty	Validity:		Price
					From	To	
0035	LCPR12975		EXTENSION P 50	1,00	06/2006		--
0036	UGLN02287		NOZZLE 1/4 2504	1,00		06/2006	--
0036	UGLN49991		NOZZLE LECH 1/4 2504	1,00	06/2006		--
0038	MPVR48108		WATER TANK P190 PEHD BK.	1,00		07/2005	--
0038	MPVR89076		WATER TANK P190-2V. PEHD BK.	1,00	07/2005		--
0039	MPVR20187		RING NUT M 39 X 3	1,00			--
0040	MPVR89077		TANK COVER P190 PA6 BL.	1,00	07/2005		--
0040	MPVR20931		TANK COVER KSM PPE	1,00		07/2005	--
0041	MPVR47819		BRACKET P190 PA6 BK.	2,00			--
0045	ETET48587		LABEL P190-CHALLENGE PVC R	1,00			--
0046	MPVR41903		THICKNESS TERM.IM.PA66	1,00			--
0051	LAFN89079		PANEL P190 INX	1,00	07/2005		--
0052	MPVR89078		PLATE P190 PA6 BL.	2,00	07/2005		--



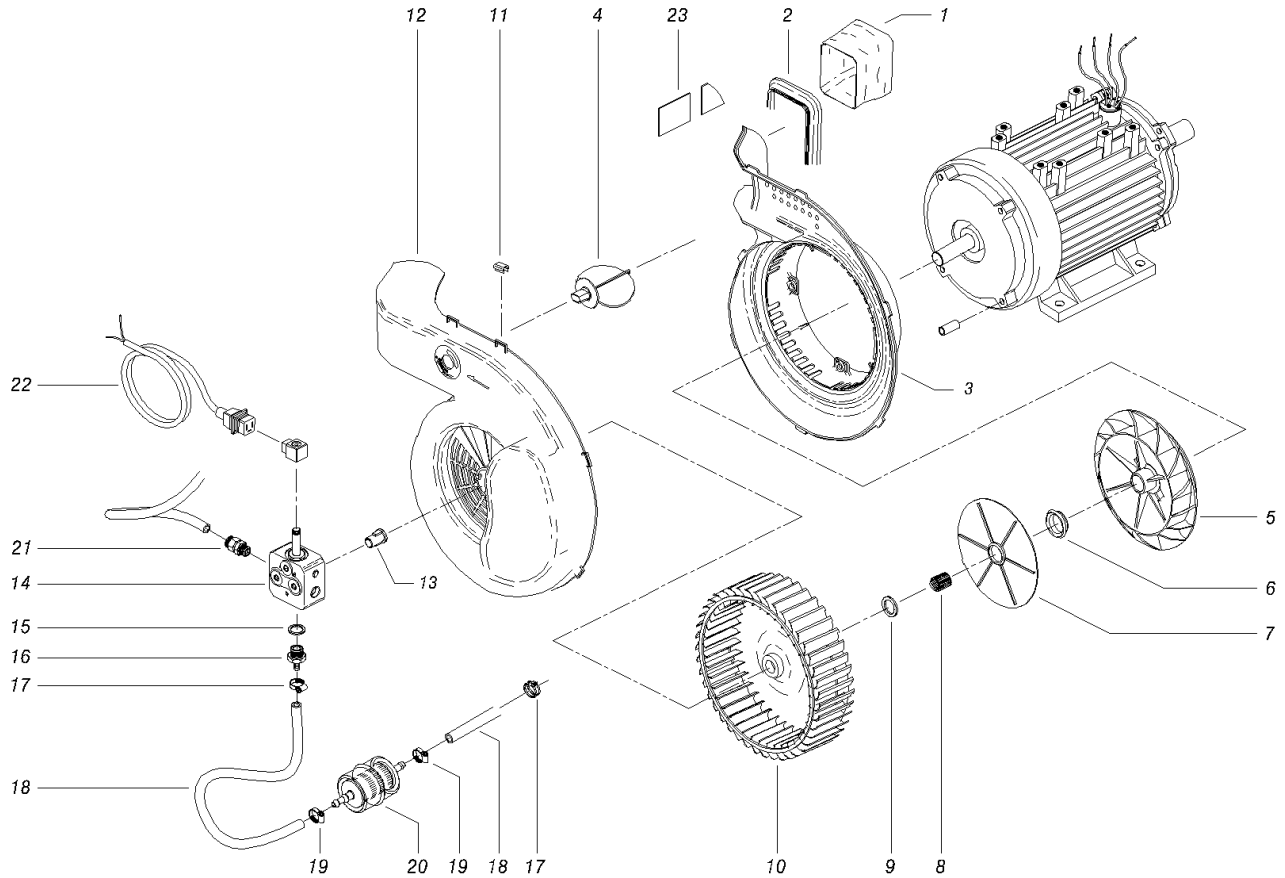
Ref. K	Part N.	Customer Part N.	Description	Qty	Validity: From	To	Price
0001	RCVR29602		CONNECTOR D. 1/2"-5/8" PTC	1,00			--
0002	RCVR29600		SOCKET PTC 3/4 F	1,00			--
0003	RCVR37806		REDUCTION PTC 3/4-1/2 M/F	1,00			--
0004	GUGO37736		GASKET D. 10- 19 X 5 70SH	1,00			--
0005	FTAC30214		FILTER D.15X67	1,00			--
0006	RCDS21223		RING NUT 1/2" X 4 NIK	1,00		11/2003	--
0006	RCDS49875		RING NUT 1/2"X 6 CH.27 OT.	1,00	12/2003		--
0007	RCVR49974		RING NUT 3/4" X 4 NIK	1,00	12/2003		--
0007	TBBP48636		L.P. HOSE L= 950 3/4F 90°- 1/2M 0°	1,00			--
0007	VTRS00549		WASHER D.21,5X27X1.5 (1/2) RM	1,00			--
0009	RCGR60703		FLOATER MTM 3/4 PP. S/F.	1,00		07/2005	--
0009	RCGR89343		FLOATER MTM 3/4 PP. S/F. +ADP.245	1,00	07/2005		--
0010	TBBP17436		L.P. HOSE D.12-14 RILSAN NT.	0,15		07/2005	--
0011	TBBP00058		L.P. HOSE D. 4- 6	0,25	10/2003		--
0011	TBBP11756		L.P. HOSE D. 4- 6 RILSAN NTR	0,25		10/2003	--
0012	FSVR72800		CLAMP D 8.3 - 8.8	1,00			--
0013	MPVR20904		CAP KSM	1,00			--
0013	TBBP00058		L.P. HOSE D. 4- 6	0,35			--
0014	FSVR00431		CLAMP D. 16-25	1,00			--
0015	TBBP48637		L.P. HOSE L= 220 3/4F90°-LIB.	1,00			--
0016	RCDS46144		NIPPLE 3/4 - 1/2 CB D. 7.0	1,00			--
0017	RCDS17206		SLEEVE 1/2 M/F L= 50-65	1,00			--
0018	PPAP87537		PUMP IP W1210N SX T.OT.INT.DS	1,00			--
0019	MOMO48562		1PH MOTOR P190 HP 3 230-50 4P H90	1,00			--
0020	VTDD21787		NUT M28X1.5 L=5	1,00			--
0021	RCDS21788		RING NUT M 28 X 1.5 L=16	1,00			--
0022	PVVR22163		KNOB L=60 V.INT.	1,00			--
0024	RCDS43252		CAP M24X1,5 + 1/8F WW1509 OT	1,00			--
0025	MNMN37537		PRESSURE GAUGE 0-300 G1/8M "R" D.40	1,00	12/2003		--
0025	MNMN37538		PRESSURE GAUGE 0-160 G1/8M "R" D.40	1,00		12/2003	--
0026	RCDS26478		CONNECTOR G 3/8M -2X 1/8F 90°	1,00	01/2006		--
0026	RCVR02607		REDUCTION 3/8-1/4 M/F	1,00		01/2006	--
0027	RCDS21900		HOSE FITTING 1/8 M D. 3- 7	2,00	01/2006		--
0027	RCDS40582		HOSE FITTING "L" 1/4M - D. 6	1,00		01/2006	--
0028	TBBP04917		L.P. HOSE D. 6- 9	0,85			--
0028	TBBP04917		L.P. HOSE D. 6- 9	0,50			--
0029	FSVR11957		CLAMP D. 9.5-12 CLIC	2,00			--
0030	RCGR08069		TAP BODY DET. PRT	1,00			--
0031	GUGO08071		O-RING D. 4.48 X 1.78 NBR 70SH	1,00			--



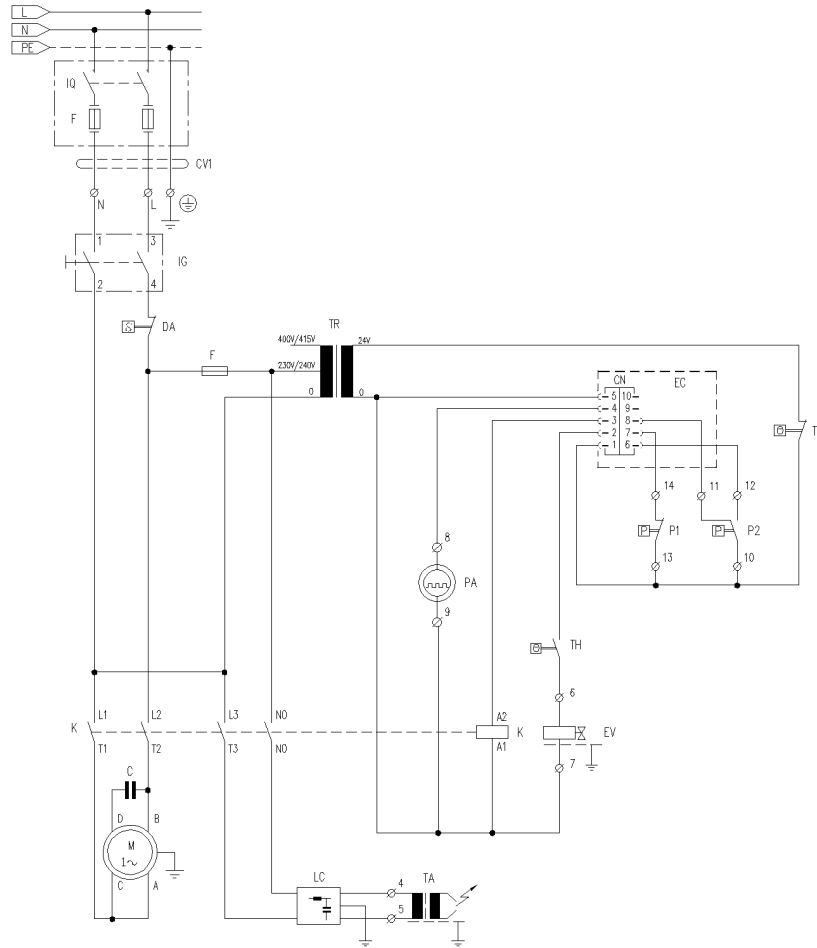
Ref. K	Part N.	Customer Part N.	Description	Qty	Validity:		Price
					From	To	
0032	GUGO12183		O-RING D. 23.4 X 3.53 VIT 70SH	1,00			--
0033	RCGR08070		ADJUSTER PRT	1,00			--
0034	VTRS00542		WASHER D.14X20	1,00			--
0035	MLML08068		SPRING D.1,5 L.23	1,00			--
0036	RCVR72846		CONNECTOR A T 3/8M 1/4F 3/8M-OT	1,00			--
0037	TBAP48889		HOSE-FITTING 3/ 8 R1 L=650 3/8F90-PM26	1,00		05/2004	--
0037	TBAP87847		HOSE-FITTING 3/ 8 R1 L=650 3/8F90-PM26	1,00	05/2004		--
0038	VVSC39719		VALVE MG 2000 G1/4M 150B MIGNON	1,00		12/2004	--
0038	VVSC47427		VALVE MG 1000 G1/4M-M D.8 250B	1,00	12/2004	11/2005	--
0038	VVSC89643		VALVE MG 1000 G1/4M-M D.8 200B	1,00	11/2005		--
0039	RCDS21118		CONNECTOR KSM	1,00			--
0040	RCDS21119		NUT KSM	1,00			--
0041	RCDS48935		BLOCK 3VIE 3/8-1/4 M14X1.5 F ZC	1,00			--
0042	RCDS13012		NIPPLE M22-3/8 D. 7.5	1,00			--
0043	RCDS00593		SUMP IM 0-120 L=50	1,00	05/2004		--
0044	MLML02623		SPRING IMT	1,00	05/2004		--
0045	RCDS30399		CONNECTOR G 1/4M -1/4F 90°	1,00	06/2004		--
0046	VVSF26255		VALVE 1/4M	1,00	06/2004		--
0047	TBCO06945		L.P. HOSE D. 6-12 10BAR	0,30	06/2004		--
0048	FSVR00427		CLAMP D. 12 CLIC 66-110	1,00	06/2004		--
0049	GUGO89255		GASKET D. 17.5-24 X 2 EPDM	1,00			--



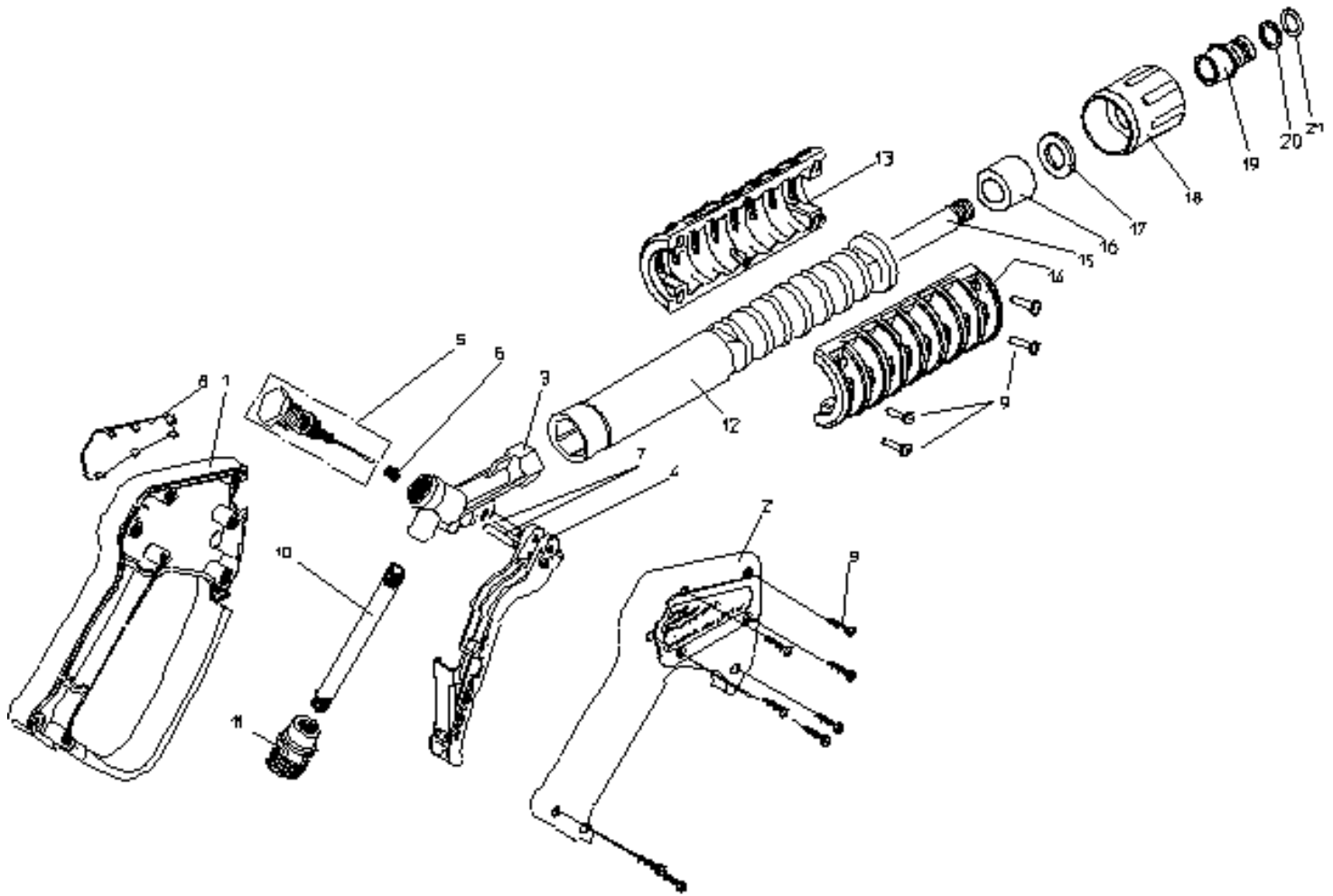
Ref. K	Part N.	Customer Part N.	Description	Qty	Validity: From	To	Price
0001	GUGO21222		O-RING D. 15.54 X 2.62 VIT 80SH	2,00			--
0002	GUVR21021		ANTI-EXTR.RING D. 21 X17 TEF.	2,00			--
0003	RCDS21120		RING NUT M 26 X 1,5	2,00	07/2003		--
0004	LAFN20108		RING D.298 KSM	1,00			--
0005	VTVR47052		SPLIT PIN "R" D. 2 X 43 ZC	1,00	07/2003		--
0007	LAFN48448		BOILER BOTTOM KSM 2V. ZN	1,00			--
0008	LAFN48368		BAND KSM 2V. INX	1,00			--
0009	ITTE48373		BOTTOM KSM C.TE	1,00			--
0011	LAGR29730		DOUBLE COIL M26X1.5 SLR 26MT GZ.	1,00			--
0012	LAFN29735		INT. CYLINDER SLR INX	1,00			--
0013	LAFN87616		EXT. CYLINDER P190 26MT-V176 INX.	1,00			--
0014	GUVR25775		GASKET D. 105/88 X 3	1,00			--
0015	LAFN20055		NOSEPIECE KSM	1,00			--
0016	LAFN30294		BAFFLE KSM/AGN	1,00			--
0017	UGBR18630		BURNER NOZZLE 0.75 45 A	1,00			--
0018	MFVR19964		ELECTR.HOLDER KSM	1,00		01/2005	--
0018	MFVR88612		ELECTR.HOLDER KSM 1/8CN.	1,00	01/2005		--
0019	RCVR08954		ELBOW 1/8"-4 B5	1,00			--
0020	MECA18232		ELECTRODE L=101.5 KSM	2,00			--
0021	LAFN20123		PLATE KSM INX	1,00			--
0022	TBCO48642		DIESEL HOSE P190 26MT D. 4	1,00			--
0023	MECB34463		CABLE BT L=800 SP.	1,00			--
0024	MECV35335		CABLE A.T. 9,8-23KOHM/M L= 500P	2,00		09/2003	--
0024	MECV35336		CABLE A.T. 9,8-23KOHM/M L= 750P	2,00	09/2003		--
0025	LAFN36603		CHIMNEY EXTENS.KSM H.45 INX	1,00			--



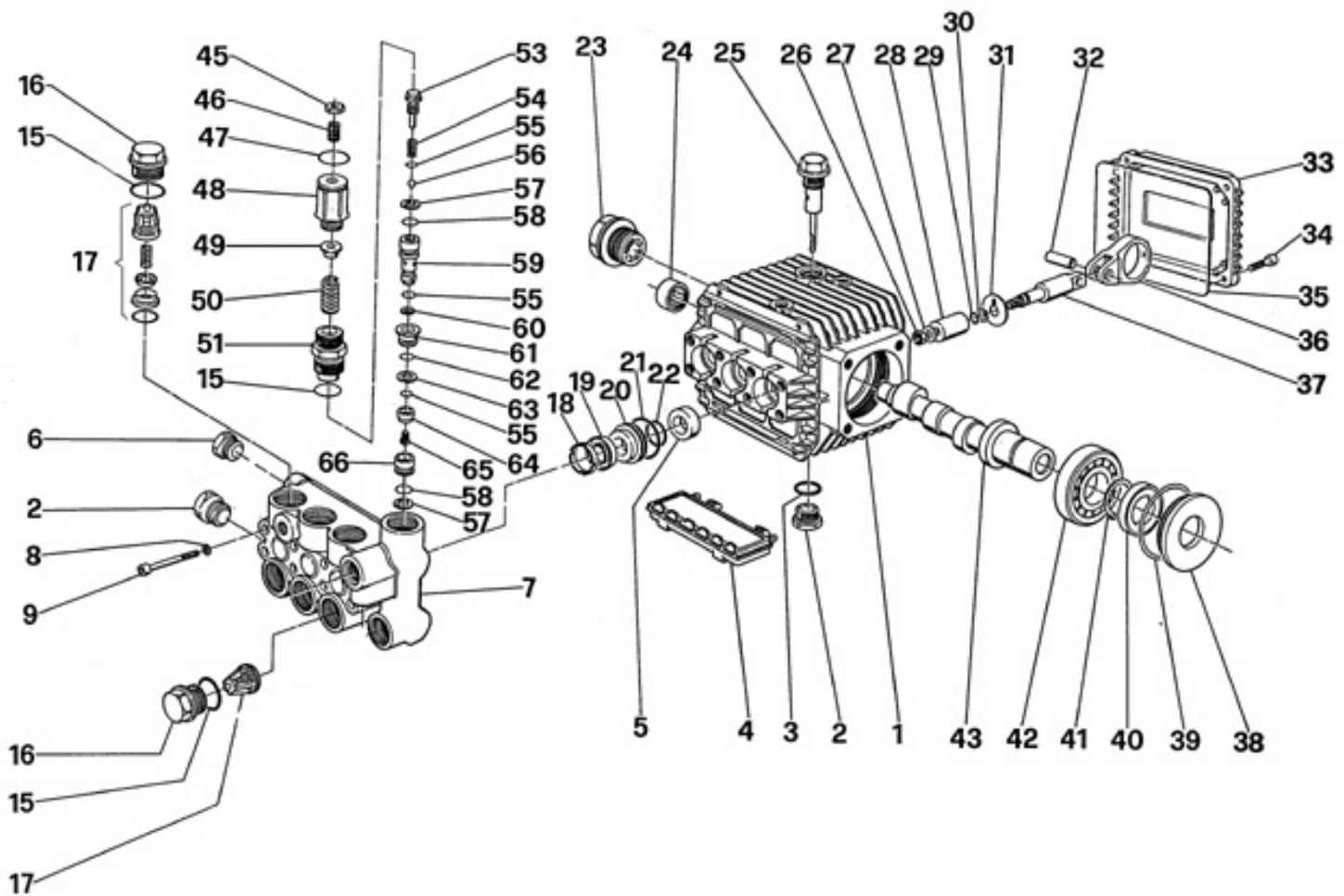
Ref. K	Part N.	Customer Part N.	Description	Qty	Validity:		Price
					From	To	
0001	MPVR44176		SLEEVE P176 H= 50	1,00			--
0003	MPVR45488		SCROLL BODY P176 PP	1,00			--
0004	MPVR45445		BUTTERFLY VALVE P176 PP	1,00			--
0005	VEVR45443		MOTOR FAN P176 H 100	1,00			--
0006	LAFN45783		BUSHING D. 30 P176	1,00			--
0007	MPVR45444		SEPARATOR P176 ABS	1,00			--
0008	VTVR45002		BUSHING D. 17-19X19 CPS.	1,00			--
0009	VTRS49164		WASHER D.19 X26 X1 FE	1,00	06/2003		--
0010	VEVR45487		IMPELLER P176 D.240 43P. PA6	1,00		06/2005	--
0010	VEVR88781		IMPELLER P176 D.240 43P. 2V. PA6	1,00	06/2005		--
0010	VTAE33647		CIRCLIP D. 19 UNI 7435	1,00	06/2005		--
0011	VTVR20127		CLIP KSM	7,00			--
0012	MPVR48498		VENTILATOR COV.P190-V176 ABS	1,00			--
0013	FGGT36513		JOINT HP 0.25 AACO	1,00			--
0014	FTCO88927		FUEL FILTER S.AL	1,00			--
0014	PPGS48503		FUEL PUMP DLT ALLUM. A1R1	1,00		07/2003	--
0014	PPGS49454		FUEL PUMP DLT ALLUM. A2R1	1,00	07/2003		--
0015	VTRS04931		WASHER COPPER D.13X19X1.5	1,00	07/2003		--
0016	RCDS00626		HOSE FITTING 1/4 M D. 5- 7	1,00	07/2003		--
0017	FVSR00427		CLAMP D. 12 CLIC 66-110	2,00			--
0018	TBCO06945		L.P. HOSE D. 6-12 10BAR	0,70	12/2003		--
0018	TBCO06945		L.P. HOSE D. 6-12 10BAR	0,65	12/2003		--
0019	FVSR11197		CLAMP D.I. 11 13315	2,00			--
0020	FTCO10912		FILTER D.7	1,00			--
0021	RCVR14014		BI-CONE CONNOC.DTT 1/8" M B1 D. 2/ 4 NIK	1,00	07/2003		--
0022	MECB18118		CABLE DLT L=1.600	1,00			--
0023	ETET49194		LABEL P190 PLC. VTL.	1,00			--



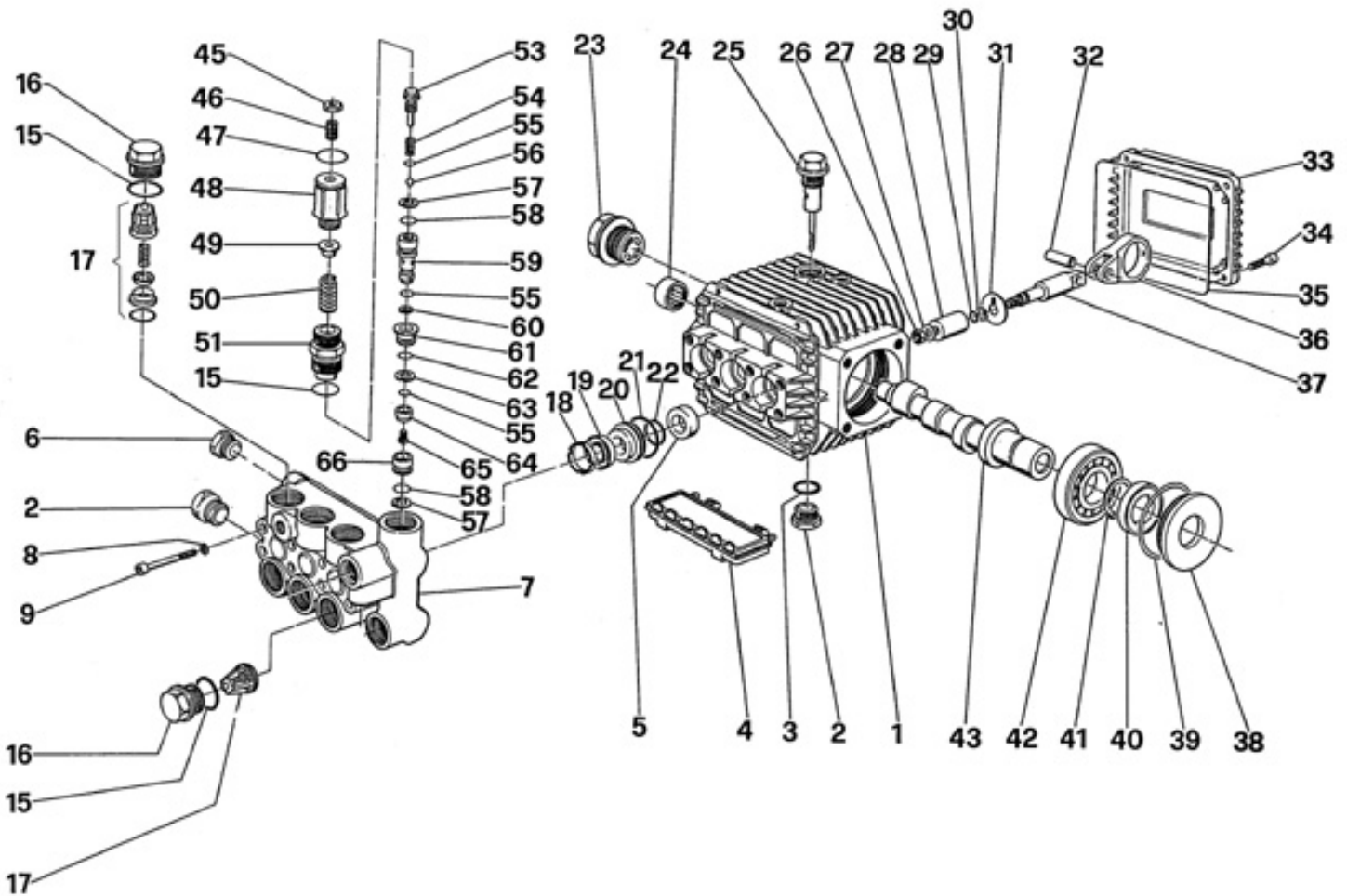
Ref.	K	Part N.	Customer Part N.	Description	Qty	Validity:		Price
						From	To	
C		MECO48358		CAPACITOR 60 MF 450V C.250 D.50X 90	1,00			--
F		MEVR02824		FUSE 5X20 1A	1,00			--
K		METT43990		CONTACTOR SIE 3RT 1017 1AB01 5/60HZ	1,00			--
DA		METT18986		GROUND PROTECT.WEBER T11-211 15A	1,00		04/2004	--
DA		METT26379		GROUND PROTECT.T13-211 15A	1,00		04/2004	--
EC		MECE48580		PCB P190 T-ST/MP V.PLUS	1,00			--
EV		MEBE48504		COIL DLT 24-50 NF84	1,00			--
IG		MECI21622		SWITCH TEC 20A HD2002 R000	1,00			--
LC		MECE34831		FILTER LC F.AH.DA.3100ZF 6.5A	1,00			--
P1		MEPF39901		PRESSURE SWITCHMTM 1/4M NA/NC 15B. MICRO	1,00			--
P2		MEPF39902		PRESSURE SWITCHMTM 1/4M NA/NC 25B. MICRO	1,00			--
PA		MEPD25575		DESCALING PUMP NME-1 24V CPL.	1,00			--
TA		METR34464		TRANSFORMER 230V-50HZ 2X4000V SP4 CM	1,00			--
TH		METK19354		THERMOSTAT 0-150° L=1200	1,00			--
TR		METR11977		TRANSFORMER 35VA 230-400/24 50/60HZ	1,00			--
TS		METK49116		THERMOSTAT 65°C TG400 C.1,5 RIPR.	1,00		05/2004	--
CV1		MECB21515		CABLE H07 RNF 3X1.5 L=6.500	1,00			--



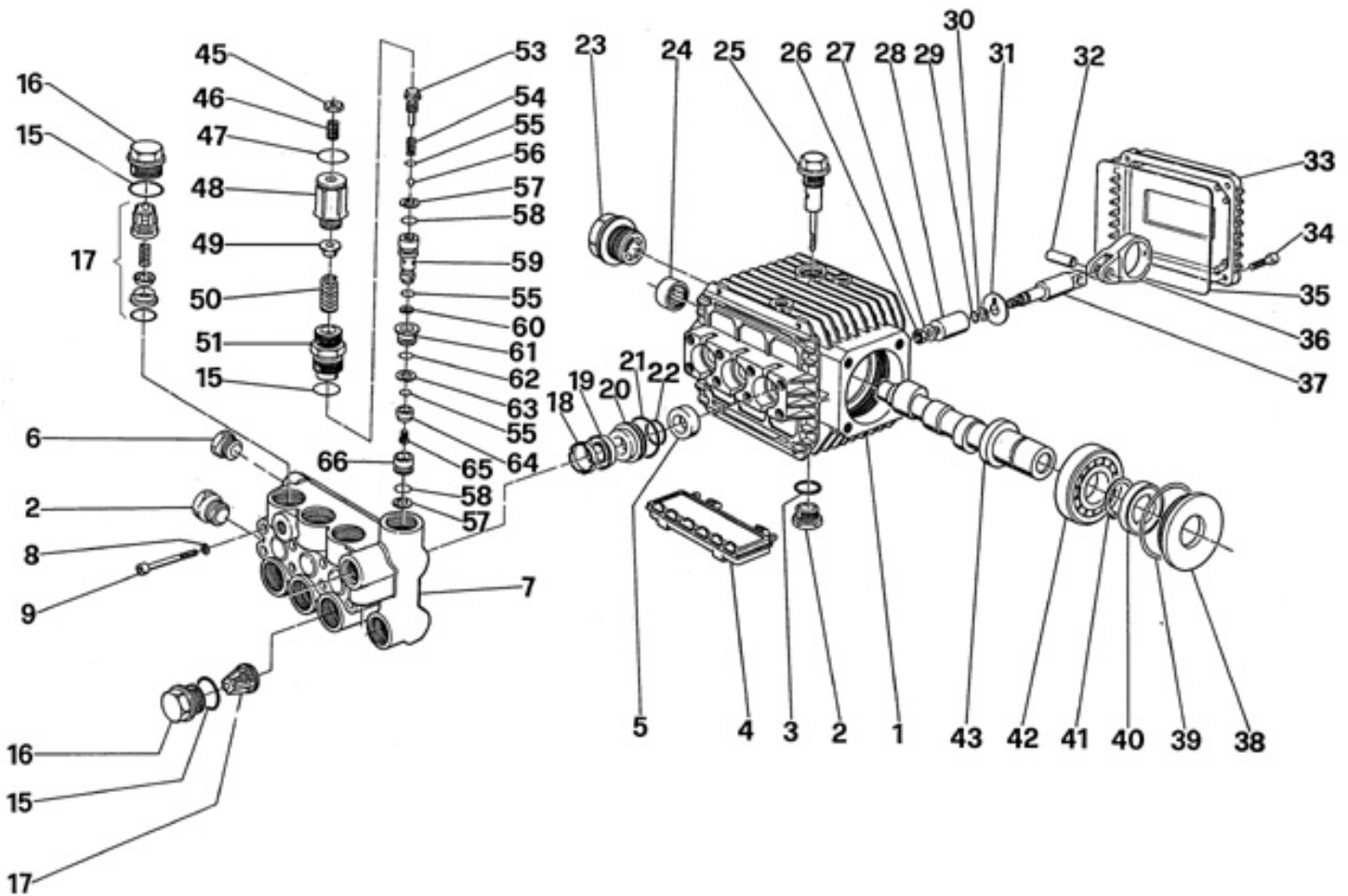
Ref. K	Part N.	Customer Part N.	Description	Qty	Validity: From To	Price
0001	MPVR46562		SHELL G 4500	1,00		--
0002	MPVR46563		COVER G 4500	1,00		--
0003	PVVR46564		GUN BODY G 4500 G1/4 OT.	1,00		--
0004	MPVR46565		TRIGGER G 4500	1,00		--
0005	PVVR46566		SMALL PISTON G 4500 CPL.	1,00		--
0006	PVVR46567		PISTON GUIDE G 4500 CPL.	1,00		--
0007	VTVR46568		PLUG G 4500	2,00		--
0008	MPVR46569		PLATE G 4500 RD.	1,00		--
0009	VTVT28553		SCREW TCB-TC 3.5X16	11,00		--
0010	PVVR37732		TUBE G 1/4" M/M L.139	1,00		--
0011	RCIN03752		MALE COUPLING 1/4FA	1,00		--
0012	MPVR46570		PROTECTION P 330 ST	1,00		--
0013	PVVR13440		SHELL PROTECTI.ST	2,00		--
0015	LCPR46571		TUBE 1/4 L=352 INOX	1,00		--
0016	MPVR46572		SPACER P 330 ST	1,00		--
0017	VTRS04931		WASHER COPPER D.13X19X1.5	1,00		--
0018	PVVR13445		CONNECTION M 22X1,5 L=45	1,00		--
0019	RCVR13030		GUDGEON G 1/4 F L=31.5	1,00		--
0020	GUVR10526		ANTI-EXTR.RING D.13.9X10.2 C.BZ	1,00		--
0021	GUGO10525		O-RING D. 9.3 X 2.4 NBR 70SH	1,00		--



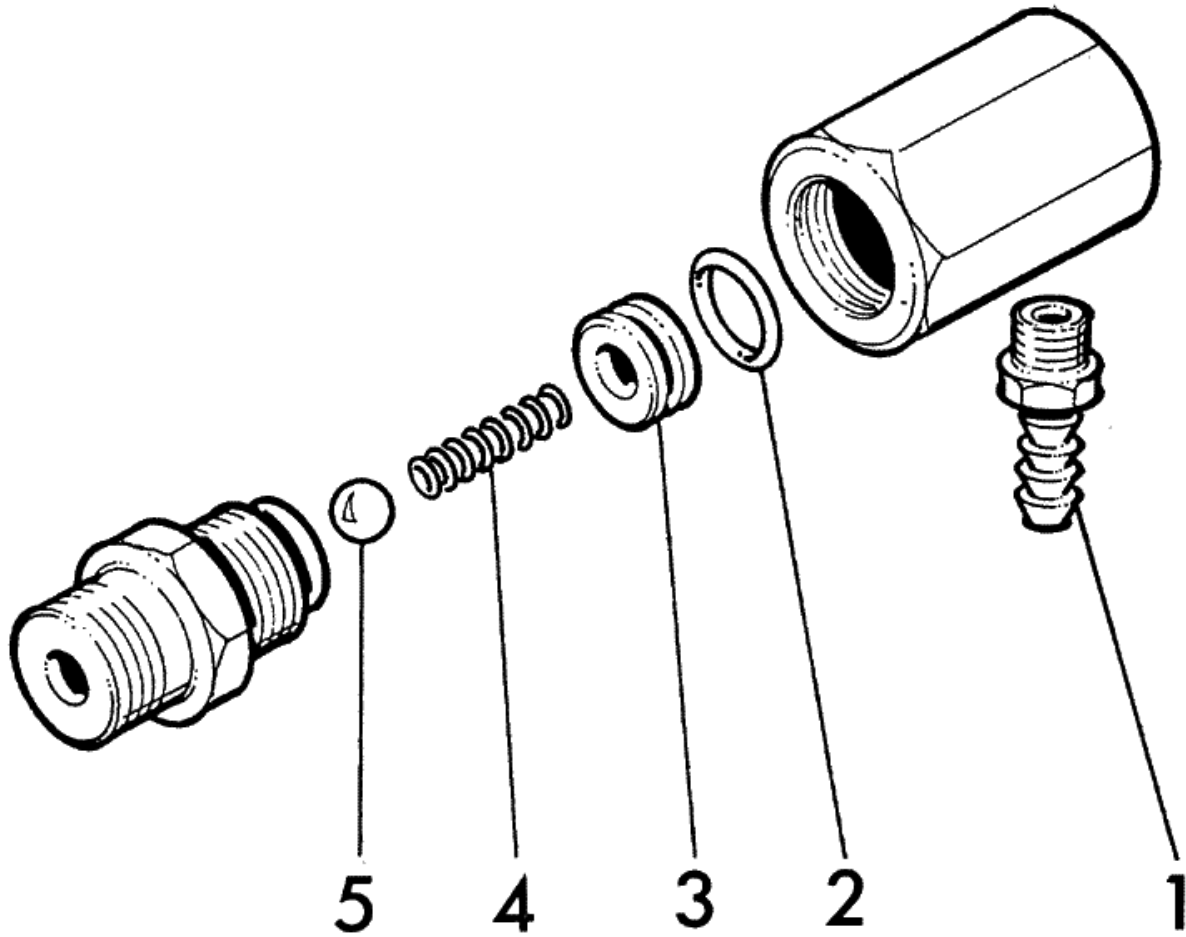
Ref.	K	Part N.	Customer Part N.	Description	Qty	Validity:		Price
						From	To	
0001		MFVR12641		PUMP CRANKCASE WW 90B - 93B	1,00			--
0002		RCDS01090		CAP 3/8X13 M WW90	2,00			--
0003		GUGO01035		O-RING D. 13.95 X 2.62 NBR 70SH	1,00			--
0004		PVVR43778		PROTECTION WW S.51	1,00			--
0005	S	GUGO09690		OIL SEAL 15X 24X 5 NBR70	3,00			--
0006		RCDS01088		CAP 1/4X 9 M WW90	1,00			--
0007		MFVR13294		HEAD WW 90 OT. V.INT. D.18	1,00			--
0008		VTRS01077		WASHER D. 6,4X10X0,7	12,00			--
0009		VTVT06236		SCREW TCEI 6X40 UNI5931	8,00			--
0015	S	GUGO01033		O-RING D. 20.24 X 2.62 NBR 90SH	7,00			--
0016		RCDS43779		CAP M 24X1,5X11,2 WW	6,00			--
0017	S	VVAM28467		VALVE UNIT "44" WW136-186	6,00			--
0018	S	PVVR47765		HEAD RING D. 18 "51"	3,00			--
0019	S	GUVR47766		PACKING D. 18 "51"	3,00			--
0020	S	PVVR47767		PACKING RETAIN.D. 18 "51"	3,00			--
0021	S	GUGO03506		O-RING D. 25.12 X 1.78 NBR 70SH	3,00			--
0022	S	GUGO03502		O-RING D. 17.86 X 2.62 NBR 70SH	3,00			--
0023		PVVR01083		OIL INDICATOR G 3/4 W70-151	1,00			--
0024		CUVR09639		ROLLER BEARING BK 1516V	1,00			--
0025		PVVR01089		OIL DIPSTICK W 70	1,00			--
0026		VTDD04284		NUT M8X1,25 X13X5 S2 INX	3,00			--
0027		VTRS09321		WASHER D. 8X13X1	3,00		07/2002	--
0027		VTRS46027		WASHER D. 8 C/CLL.	3,00	07/2002		--
0028		PIVR47768		PISTON D.18 "51"	3,00			--
0029		GUGO01055		O-RING D. 5.28 X 1.78 VIT 70SH	3,00			--
0030		GUVR10257		ANTI-EXTR.RING WW161	3,00			--
0031		VTRS09320		WASHER D. 9X23X0,5	3,00			--
0032		PVVR09646		GUDGEON D. 8X24.5 BJ	3,00			--
0033		MFVR09643		CRANKASE COVER BJ	1,00			--
0034		VTVT01115		SCREW TCEI 6X18	4,00			--
0035		GUGO27617		O-RING D. 88.57 X 2.62 NBR 70SH	1,00			--
0036		BLVR43780		CONNECTING ROD WW S.51	3,00			--
0037		PVVR09642		PISTON GUIDE BJ	3,00			--
0038		MFVR03565		SPACER W 70	1,00			--
0039		GUGO01040		O-RING D. 55.56 X 3.53 NBR 70SH	1,00			--
0040		GUGO01002		OIL SEAL 25X 42X 7 NBR70	1,00			--
0041		VTAE09655		CIRCLIP D. 25 UNI 7435	1,00			--
0042		CUVR09654		BALL BEARING 6305	1,00			--
0043		ALMO09648		ECC.SHAFT WW "N" C.9.4 D.24	1,00			--



Ref.	K	Part N.	Customer Part N.	Description	Qty	Validity:		Price
						From	To	
0045		VTDD09708		NUT M 8 UNI 5589	1,00			--
0046		VTVT20196		SCREW EI-ST 8X20 UNI5923	1,00			--
0047		GUGO01057		O-RING D. 20.35 X 1.78 NBR 70SH	1,00			--
0048		PVVR18672		REGISTER COLT	1,00			--
0049		PVVR11656		SPRING PLATE W1	1,00			--
0050		MLML11655		SPRING D.15X35	1,00			--
0051	S	PVVR18671		BUSHING COLT	1,00			--
0053	S	PVVR18670		LIMIT SWITCH COLT	1,00			--
0054	S	MLML20195		SPRING D. 6.1X19	1,00			--
0055	S	GUGO03497		O-RING D. 6.75 X 1.78 VIT 80SH	3,00			--
0056	S	SFVR12904		BALL D. 9/32 W1 INX	1,00			--
0057	S	GUVR11651		ANTI-EXTR.RING D. 10.6X15X2	2,00			--
0058	S	GUGO03501		O-RING D. 9.92 X 2.62 VIT 70SH	2,00			--
0059	S	PVVR18669		CONTROL PISTON COLT	1,00			--
0060	S	GUVR04309		ANTI-EXTR.RING HM	2,00			--
0061	S	PVVR11653		VALVE GUIDE CONTROL SET W1	2,00			--
0062	S	GUGO11652		O-RING D. 12.42 X 1.78 NBR 70SH	1,00			--
0063	S	GUVR11650		ANTI-EXTR.RING CONTROL SET W1	1,00			--
0064	S	PVVR18668		VALVE CLT	1,00			--
0065	S	VTVT18667		SCREW M 5X0,8X7,5	1,00			--
0066	S	PVVR12887		VALVE SEAT CONTROL SET W1	1,00			--



Ref. Part N.	Cust. Part N.	Description	Reference	Price
KTRI18651	KIT P	83	0005	--
KTRI18655	KIT P	102	0015 0051 0053 0054 0055 0056 0057 0058 0059 0060 0061 0062 0063 0064 0065 0066	--
KTRI28508	KIT P	15-123	0017	--
KTRI47769	KIT P	15-139	0020 0021 0022	--
KTRI47770	KIT P	15-140	0018 0019 0020 0021 0022	--
KTRI76437	KIT P	15-141	0018 0019 0021 0022	--



Ref. K	Part N.	Customer Part N.	Description	Qty	Validity:		Price
					From	To	
0001	PVVR13410		HOSE FITTING 1/8" D.3-8 VSP180	1,00			--
0002	GUGO19194		O-RING D. 11.11 X 1.78 NBR 70SH	1,00			--
0003	PVVR06978		SEAT D.7 +OR	1,00			--
0004	MLML26033		SPRING D. 6.2X21 X0.8	1,00			--
0005	SFVR06779		BALL INOX 11/32	1,00			--