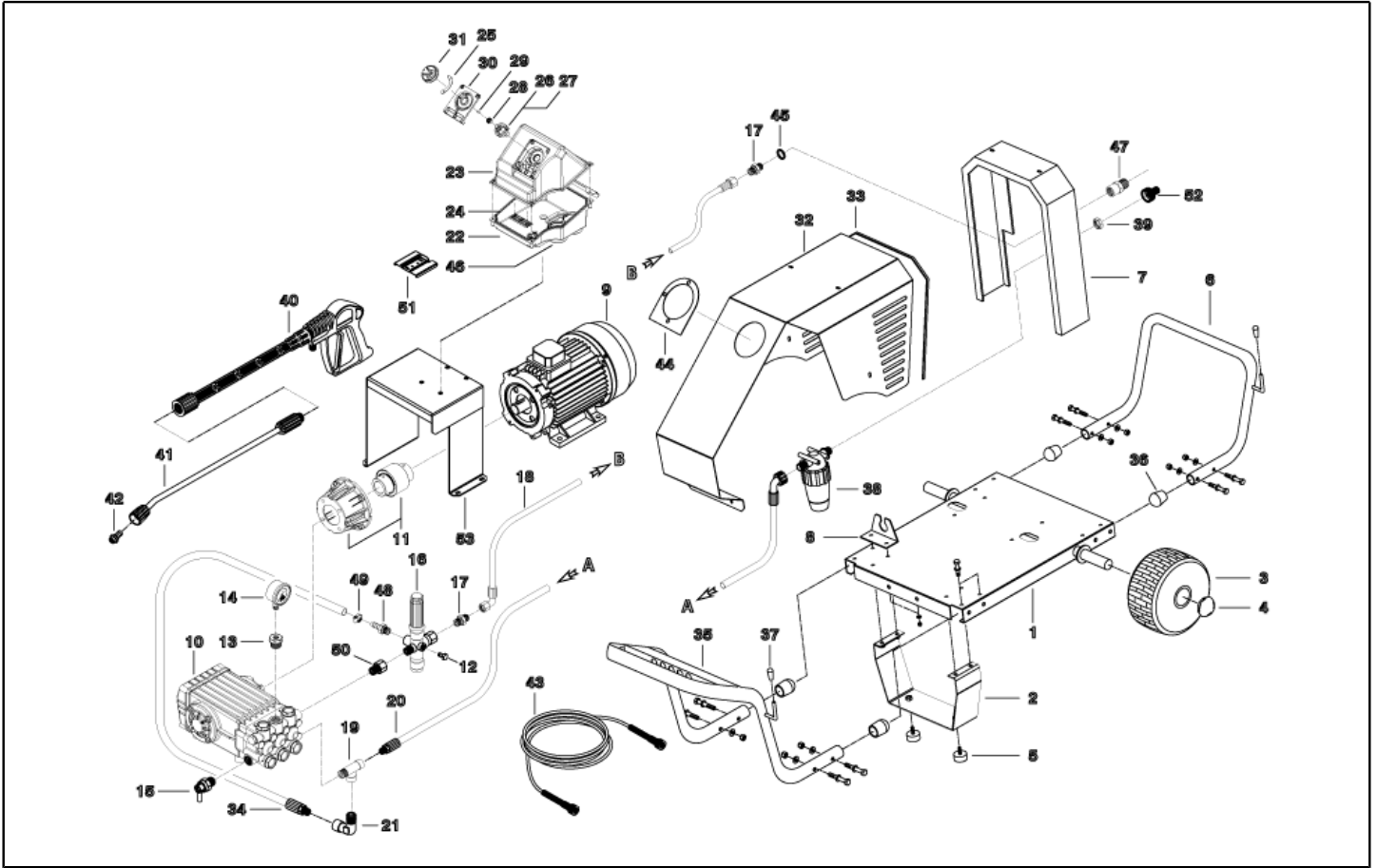


IPC

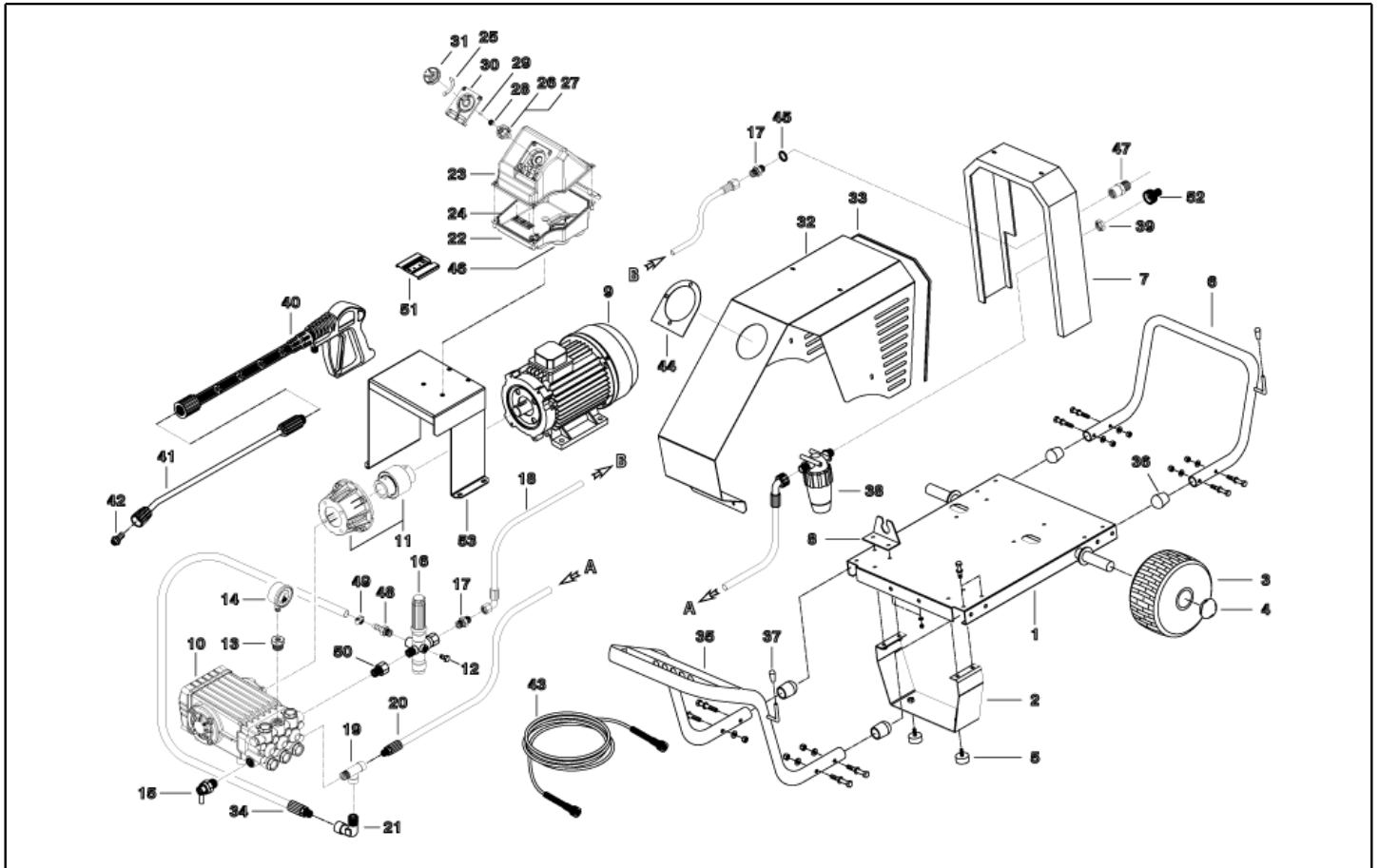
Spare parts list

Ref: IDAF40525

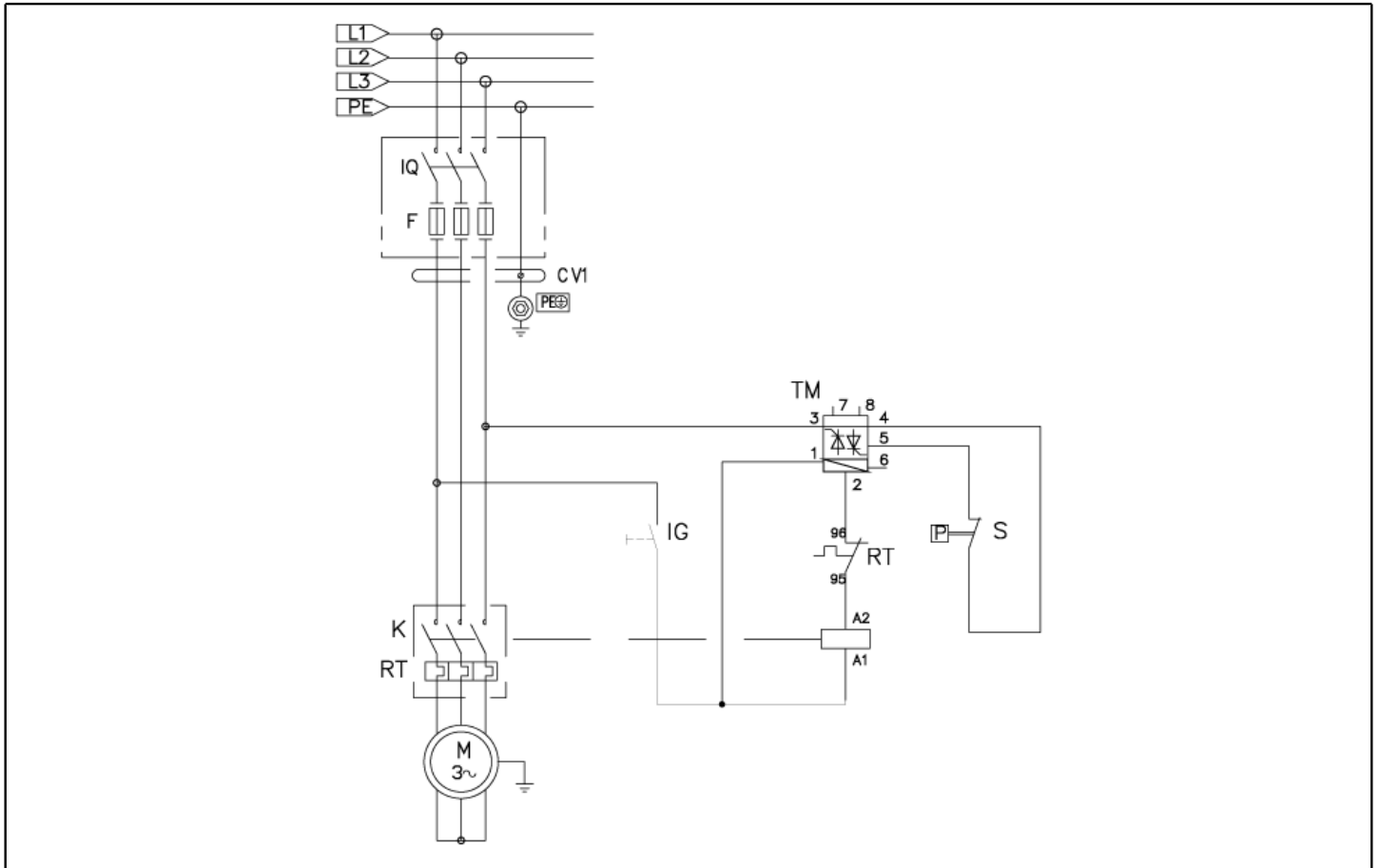
Model: H.P. CLEANER PW-C80 D3515P T400/50IPC



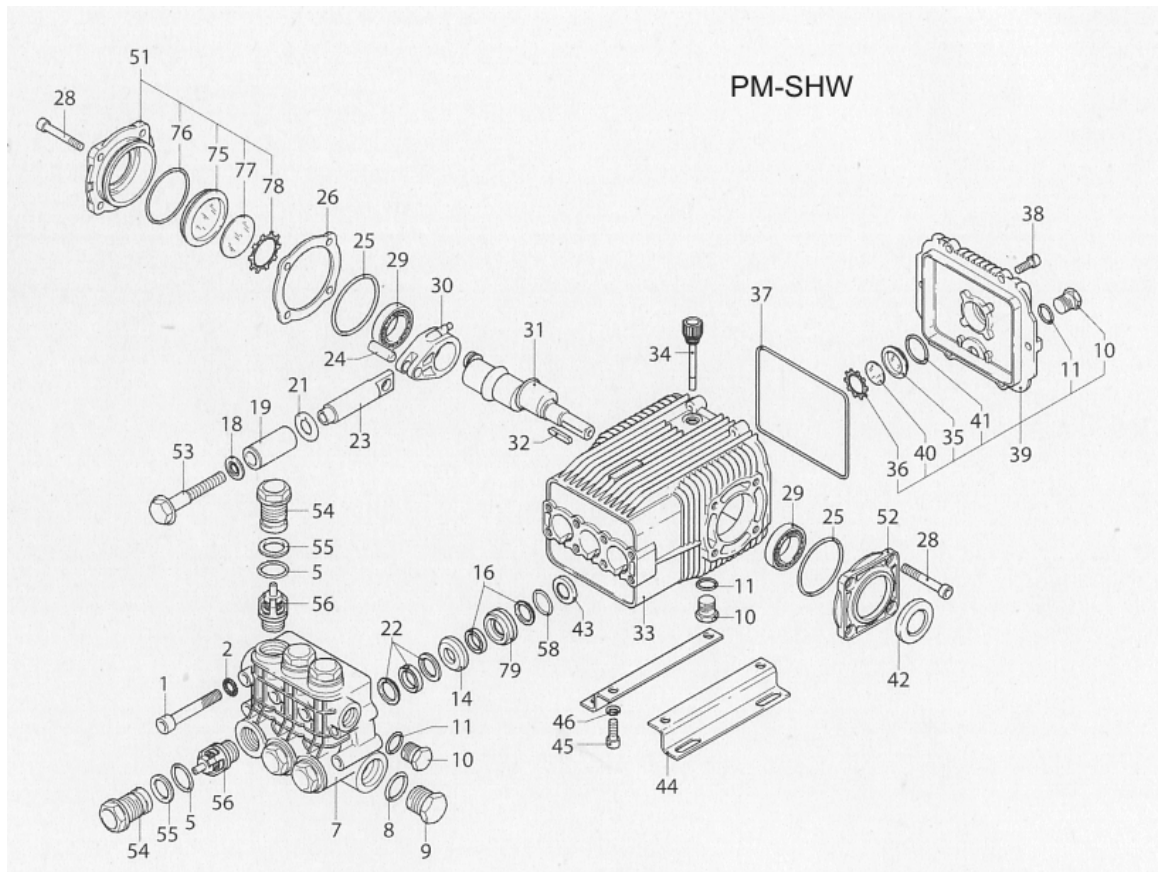
| Ref. K | Part n. | Customer part n. | Description | Quantity | Validity | | Price |
|--------|-----------|------------------|---|----------|------------|------------|-------|
| | | | | | From | To | |
| 0001 | LAFN40540 | | CHASSIS PW-C80 15HP BK. | 1,00 | | | -- |
| 0002 | LAFN40181 | | FOOT BENZ HP 9-13 | 1,00 | | | -- |
| 0003 | RTRT40006 | | WHEEL D. 13.5"X 6/6 -D.25 PN. | 2,00 | | | -- |
| 0004 | VTVR01268 | 00001268 | HUB CAP D. 25 | 2,00 | | | -- |
| 0005 | MPVR60726 | 00060726 | VIBRATION DAMP. TCC48X25- 1M8X16 60SH GMM | 2,00 | | | -- |
| 0006 | LAFN40183 | | BUMPER BENZ HP 9-13 | 1,00 | | | -- |
| 0007 | LAFN40538 | | BRACKET PW-C80/15 BK. | 1,00 | | | -- |
| 0008 | LAFN40537 | | BRACKET PW-C80/15 IX. | 1,00 | | | -- |
| 0009 | MOTR88937 | | 3PH MOTOR B3-B14 HP15 50 200-440 ED | 1,00 | | | -- |
| 0010 | PPAP40077 | | PUMP SXW 15.35 DX N OT. | 1,00 | | | -- |
| 0011 | FGGT40009 | | FLANGE F30 H.132 | 1,00 | | | -- |
| 0012 | RCVR00659 | 00000659 | CAP 1/4 M | 1,00 | | | -- |
| 0013 | PVVR40274 | | CAP AR SHP +1/4F | 1,00 | | | -- |
| 0014 | MNMN40003 | | PRESSURE GAUGE RD 0- 600 D.63 1/4 IX | 1,00 | | | -- |
| 0015 | VVSC40550 | 00040550 | VALVE 1/2" 56°C | 1,00 | | | -- |
| 0016 | VVAZ86903 | 00086903 | VALVE VB 350 +PR 5 | 1,00 | | | -- |
| 0017 | RCDS00610 | 00000610 | NIPPLE 3/8 - 3/8 SV | 2,00 | | | -- |
| 0018 | TBAP40103 | | HOSE-FITTING 3/ 8 R3 L=490 3/8F-F 90° | 1,00 | | | -- |
| 0019 | RCVR02580 | 00002580 | TEE UNION 1/2 F/F/M | 1,00 | | | -- |
| 0020 | TBBP40057 | | L.P. HOSE L=510 3/4F 90°-1/2M CN. | 1,00 | | | -- |
| 0021 | RCVR00575 | 00000575 | ELBOW 1/2" M/F A10 | 1,00 | | | -- |
| 0022 | MPVR40345 | | BOX COVER P237-C80 PA6 BK. | 1,00 | | | -- |
| 0023 | MPVR40433 | | CONTROL BOX PW-H80 15HP BK. | 1,00 | | | -- |
| 0024 | GUGO11309 | 00011309 | JOINT MOUSSE D. 3 | 0,80 | | | -- |
| 0025 | LAFN40454 | | BRACKET PW-C80 ZC. | 1,00 | | | -- |
| 0026 | MPVR89759 | | TAIL PIECE P237 INT. PA6 BK. | 1,00 | | | -- |
| 0027 | GUGO01032 | 00001032 | O-RING D. 17.13 X 2.62 NBR 70SH | 1,00 | | | -- |
| 0028 | MPVR89760 | | ROLLER P237 PA6 BK. | 1,00 | | | -- |
| 0029 | LAFN89793 | | PIN P237 INX | 1,00 | | | -- |
| 0030 | MPVR89763 | | COVER P237 PA6 BK. | 1,00 | | | -- |
| 0031 | MPVR89762 | | BLACK KNOB P237 PA6 | 1,00 | | | -- |
| 0032 | LAFN40536 | | COVER PW-C80 15HP INX | 1,00 | | | -- |
| 0033 | GUVR13437 | 00013437 | EDGE H=10 | 4,30 | | | -- |
| 0034 | TBBP40056 | | L.P. HOSE L= 485 1/4M C.-LB.D.10X19 | 1,00 | | | -- |
| 0035 | LAFN40188 | | HANDLE BENZ HP 9-13 | 1,00 | | | -- |
| 0036 | MPVR01697 | 00001697 | PROD D.30 1.02.109 | 2,00 | | | -- |
| 0036 | MPVR01697 | 00001697 | PROD D.30 1.02.109 | 2,00 | | | -- |
| 0037 | MPVR32471 | 00032471 | PROD D. 8 BK | 1,00 | | | -- |
| 0037 | MPVR32471 | 00032471 | PROD D. 8 BK | 1,00 | | | -- |
| 0038 | FTAC40010 | | WATER FILTER 3/4 MM 100MS ARG | 1,00 | | | -- |
| 0039 | RCVR49974 | 00049974 | RING NUT 3/4" X 4 NIK | 1,00 | | | -- |
| 0040 | IPIP42787 | 00042787 | GRIP RL 56 +AR M24 +3/8F SW. | 1,00 | 16/01/2013 | | -- |
| 0041 | LCLC42786 | 00042786 | LANCE L=105 S3 350B.IX-1/4+AR8A | 1,00 | | | -- |
| 0042 | UGLN40002 | | NOZZLE R+M 1/4 0003 SAPH. | 1,00 | | 02/07/2015 | -- |



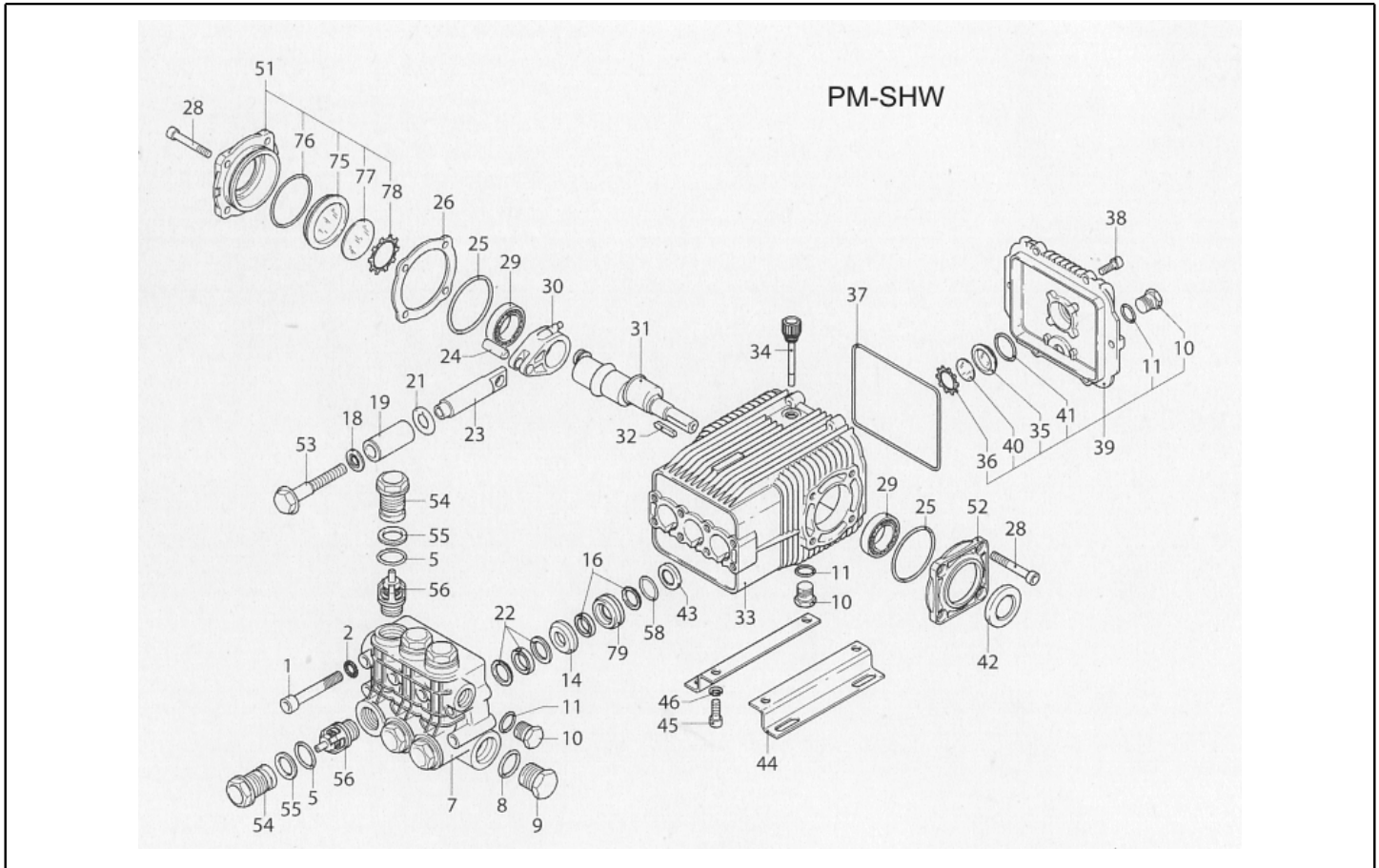
| Ref. K | Part n. | Customer part n. | Description | Quantity | Validity | | Price |
|--------|-----------|------------------|------------------------------------|----------|------------|----|-------|
| | | | | | From | To | |
| 0042 | UGLN40018 | | LANCE NOZZLE LECH 1/4 15028 500bar | 1,00 | 03/07/2015 | | -- |
| 0043 | TBAP00029 | 00000029 | H.P. HOSE R2 MT 10 5/16" 3/8 M-M | 1,00 | 16/01/2013 | | -- |
| 0044 | ETET40420 | | LABEL PW-C80 PLC | 1,00 | | | -- |
| 0045 | VTRS00548 | 00000548 | WASHER D.17,5X23X1,5 (3/8)RM | 1,00 | | | -- |
| 0046 | GUGO89794 | | O-RING 41.28 X 3.53- NBR -70SH | 1,00 | | | -- |
| 0047 | RCIN40016 | | MALE COUPLING M 24 -3/8F AR 9 IX. | 1,00 | | | -- |
| 0048 | FSVR00429 | 00000429 | CLAMP D. 16-20 66-165 | 1,00 | | | -- |
| 0049 | RCVR40067 | | HOSE FITTING 3/8 M D.10 OT.NIK | 1,00 | | | -- |
| 0050 | RCDS40142 | | SLEEVE 3/8 M/F L=21 CN. IX | 1,00 | | | -- |
| 0051 | LAFN40534 | | SUPPORT L.86 P176/7.5 | 1,00 | | | -- |
| 0052 | RCVR29600 | 00029600 | SOCKET PTC 3/4 F | 1,00 | 05/03/2015 | | -- |
| 0053 | LAFN40539 | | SUPPORT PW-C80/15 BK. | 1,00 | | | -- |



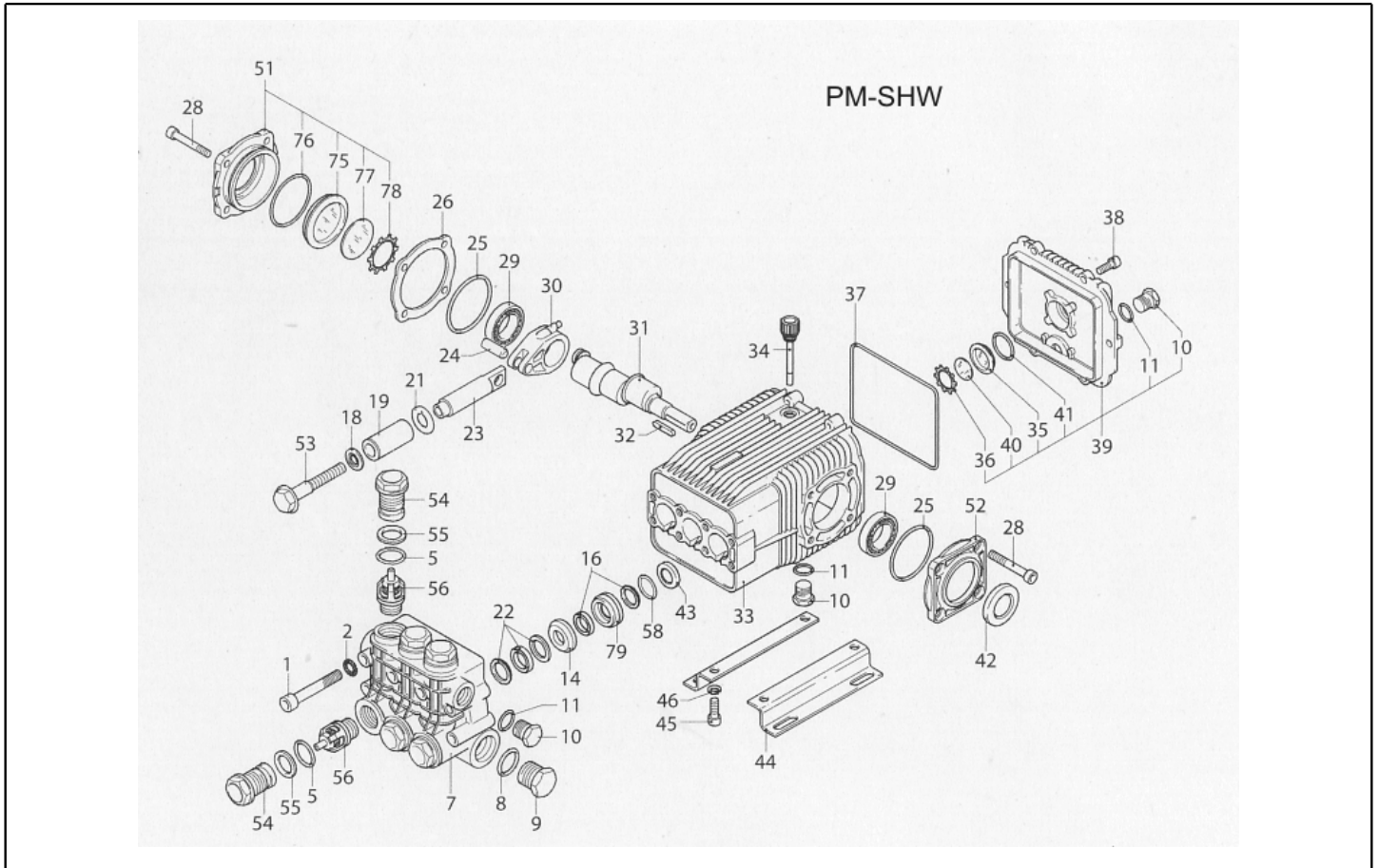
| Ref. K | Part n. | Customer part n. | Description | Quantity | Validity | | Price |
|--------|-----------|------------------|--|----------|------------|------------|-------|
| | | | | | From | To | |
| K | METT40024 | | CONTACTOR SIE 3RT 2026-1AV00 400V | 1,00 | 05/02/2015 | | -- |
| K | METT45023 | 00045023 | CONTACTOR SIE 3RT 1026 1AV00 400V 5 | 1,00 | | 04/02/2015 | -- |
| IG | MEC189816 | | MICROSWITCH XGG2-86 Z284 | 1,00 | | | -- |
| RT | METT40039 | | THERMAL RELAY SIE 3RU2126-4DB0 20-25 A | 1,00 | 05/02/2015 | | -- |
| RT | METT45033 | 00045033 | THERMAL RELAY SIE 3RU1126-4DB0 20-25 A | 1,00 | | 04/02/2015 | -- |
| TM | METY40000 | | TIMER THV/1 400-5/60 30S.VM | 1,00 | 01/09/2015 | | -- |
| TM | METY89835 | | TIMER THV/1+OPTO 380V 5/60 30S | 1,00 | | 31/08/2015 | -- |
| CV1 | MECB40234 | | CABLE H07 RNF 4X4 L. 6500 | 1,00 | | | -- |



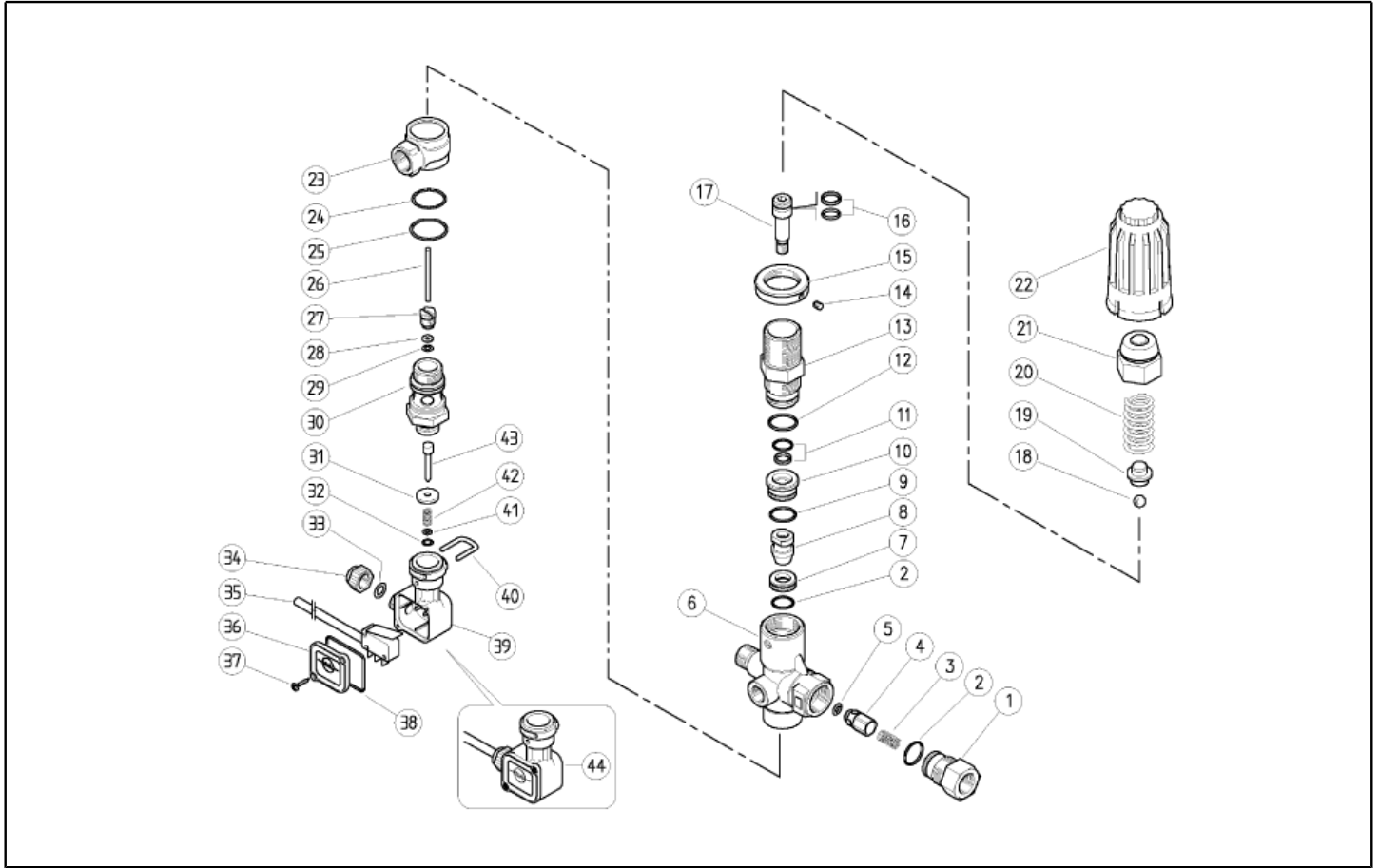
| Ref. K | Part n. | Customer part n. | Description | Quantity | Validity | | Price |
|--------|-----------|------------------|---------------------------------|----------|----------|----|-------|
| | | | | | From | To | |
| 0001 | VTVT17597 | 00017597 | | 8,00 | | | -- |
| 0002 | VTRS00519 | 00000519 | WASHER D.10 DT | 8,00 | | | -- |
| 0005 | GUGO02259 | 00002259 | O-RING D. 15.54 X 2.62 NBR 70SH | 3,00 | | | -- |
| 0007 | MFVR40037 | | HEAD AR SXW OT. | 1,00 | | | -- |
| 0008 | GUGO19245 | 00019245 | O-RING D. 17.5 X 2 NBR 70SH | 1,00 | | | -- |
| 0009 | PVVR40121 | | CAP 1/2 M RC | 1,00 | | | -- |
| 0010 | PVVR40099 | | CAP 3/8 M HRM | 3,00 | | | -- |
| 0011 | GUGO09720 | 00009720 | O-RING D. 14 X 1.78 NBR 70SH | 3,00 | | | -- |
| 0014 S | PVVR40206 | | INTERMED. RING D. 18 SHP | 3,00 | | | -- |
| 0016 S | GUVR40047 | | PACKING D. 18 RW W2+W3 | 3,00 | | | -- |
| 0018 | VTRS40011 | | WASHER D. 6X12X1 | 3,00 | | | -- |
| 0019 S | PIVR40008 | | PISTON D.18 RW | 3,00 | | | -- |
| 0021 | PVVR40197 | | DISC RW | 3,00 | | | -- |
| 0022 S | GUVR40049 | | PACKING D. 18 SHP W1 | 3,00 | | | -- |
| 0023 | PVVR40194 | | PISTON GUIDE RW | 3,00 | | | -- |
| 0024 | PVVR40186 | | GUDGEON D. 14 RW | 3,00 | | | -- |
| 0025 S | GUGO01132 | 00001132 | O-RING D. 66.35 X 2.62 NBR 70SH | 2,00 | | | -- |
| 0026 | PVVR40187 | | THICKNESS AR 0,05 mm | 1,00 | | | -- |
| 0026 | PVVR40189 | | THICKNESS AR 0,10 mm | 1,00 | | | -- |
| 0026 | PVVR40192 | | THICKNESS AR 0,19 mm | 1,00 | | | -- |
| 0026 | PVVR40193 | | THICKNESS AR 0,25 mm | 1,00 | | | -- |
| 0028 | VTVT01118 | 00001118 | SCREW TCEI M 8X16 ZC. UNI 5931 | 8,00 | | | -- |
| 0029 | CUVR09205 | 00009205 | ROLLER BEARING 32206 A | 2,00 | | | -- |
| 0030 | BLVR40004 | | CONNECTING ROD SHP | 3,00 | | | -- |
| 0031 | ALMO40015 | | SHAFT AR SHP | 1,00 | | | -- |
| 0032 | VTVR06364 | 00006364 | KEY 8 X7 X40 | 1,00 | | | -- |
| 0033 | MFVR40032 | | PUMP CRANKCASE AR RW | 1,00 | | | -- |
| 0034 | PVVR40150 | | OIL CAP AR SHP | 1,00 | | | -- |
| 0035 | PVVR19238 | 00019238 | OIL INDICATOR XTS | 1,00 | | | -- |
| 0036 | VTAE19239 | 00019239 | SEEGER 0,5 X25,35X16,0 | 1,00 | | | -- |
| 0037 S | GUGO40020 | | O-RING D. 132 X 3 NBR 70SH | 1,00 | | | -- |
| 0038 | VTVT01531 | 00001531 | SCREW TE 6X 16 UNI 5739 | 6,00 | | | -- |
| 0039 | MFVR40034 | | CRANKCASE COVER AR RW | 1,00 | | | -- |
| 0040 | PVVR40199 | | DISC CONTRASTO POMPA RW | 1,00 | | | -- |
| 0041 | GUGO19395 | 00019395 | O-RING D. 20.24 X 2.62 NBR 70SH | 1,00 | | | -- |
| 0042 S | GUGO11229 | 00011229 | OIL SEAL 30X 52X 7 NBR70 | 1,00 | | | -- |
| 0043 S | GUGO40019 | | OIL SEAL RW | 3,00 | | | -- |
| 0051 | MFVR40035 | | CRANKCASE COVER AR RW LAT. CPL | 1,00 | | | -- |
| 0052 | MFVR40033 | | CRANKCASE COVER AR RW LAT. OPEN | 1,00 | | | -- |
| 0053 | VTVT40031 | | SCREW TE M 6X 60 UNI 5737 A2 | 3,00 | | | -- |
| 0054 | PVVR40207 | | CAP AR SHP | 3,00 | | | -- |
| 0055 | GUVR40048 | | ANTI-EXTR.RING D.21,5X17,6X1,5 | 3,00 | | | -- |
| 0056 S | VVAM40005 | | VALVE UNIT SXW | 6,00 | | | -- |
| 0058 S | GUGO63438 | | O-RING D. 34.65 X 1.78 NBR 70SH | 3,00 | | | -- |



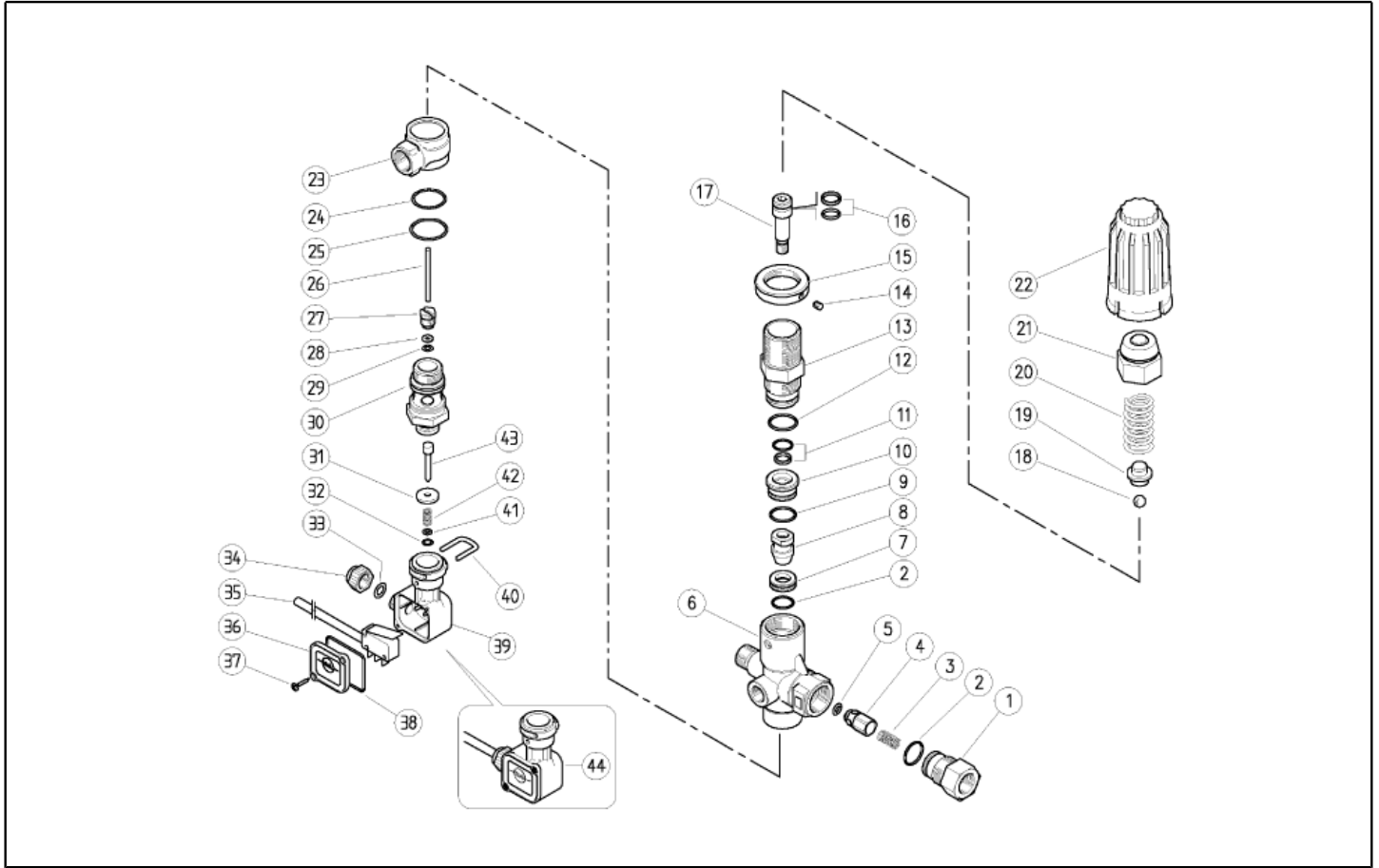
| Ref. K | Part n. | Customer part n. | Description | Quantity | Validity | | Price |
|--------|-------------|------------------|--------------------------------|----------|----------|----|-------|
| | | | | | From | To | |
| 0075 | PVVR40200 | | OIL INDICATOR RW | 1,00 | | | -- |
| 0076 | GUGO01943 | 00001943 | O-RING D. 34.6 X 2.62 NBR 70SH | 1,00 | | | -- |
| 0077 | PVVR40202 | | DISC CONTRASTO POMPA RW | 1,00 | | | -- |
| 0078 | VTAE40004 | | SEEGER 0,5 X40,40X30,0 | 1,00 | | | -- |
| 0079 | S PVVR40185 | | INTERMED. RING D. 18 RW | 3,00 | | | -- |
| 0080 | VTVT63067 | | SCREW STEI M 5X6 ZIN.UNI5923 | 1,00 | | | -- |



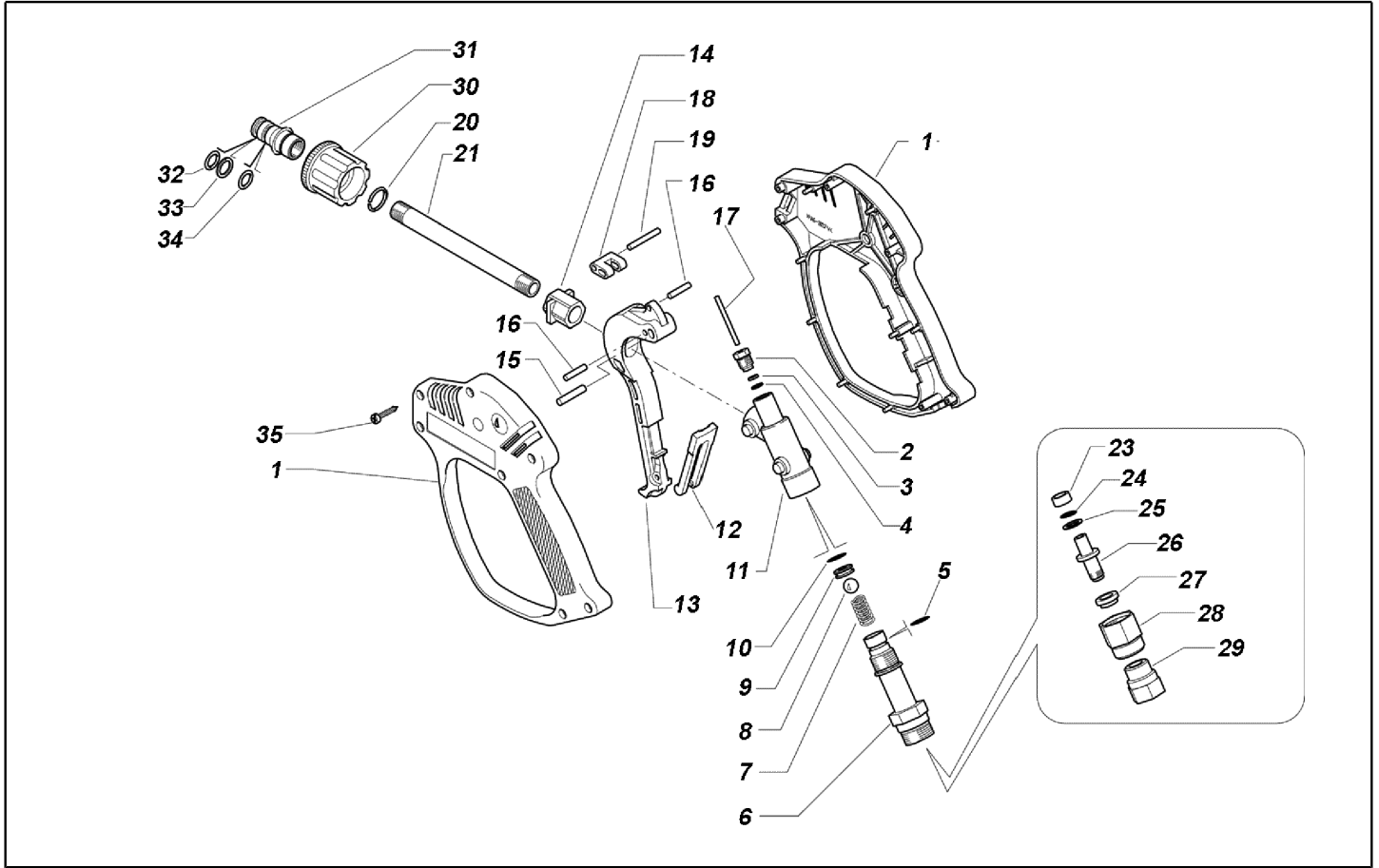
| Ref. Part n. | Cust. part n. | Description | Reference | Price |
|--------------|---------------|-------------------------|---------------------|-------|
| K A | KTRI40165 | KIT P 15-2871 SXW | 0056 | -- |
| K B | KTRI40157 | KIT P 15-42911 D.18 RW | 0019 | -- |
| K C | KTRI40162 | KIT P 15-42912 SHP | 0025 0037 0042 0043 | -- |
| K E | KTRI40163 | KIT P 15-42913 D.18 SHP | 0016 0022 0058 | -- |
| K H | KTRI40164 | KIT P 15-42120 D.18 SHP | 0014 0079 | -- |



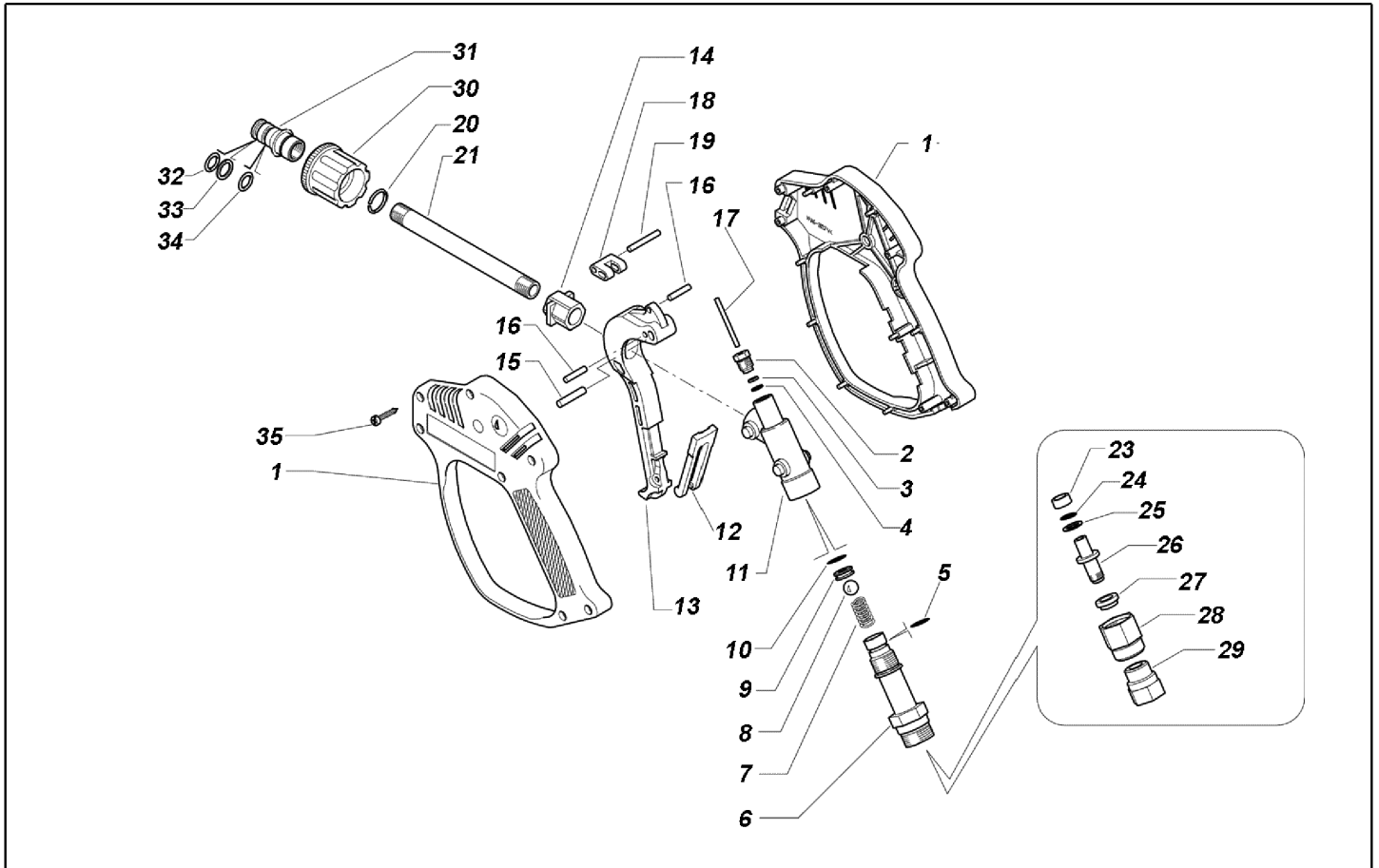
| Ref. K | Part n. | Customer part n. | Description | Quantity | Validity | | Price |
|--------|-------------|------------------|---------------------------------|----------|----------|----|-------|
| | | | | | From | To | |
| 0001 | PVVR40390 | | CONNECTOR VB350 G3/8F OT | 1,00 | | | -- |
| 0002 | S GUGO12321 | 00012321 | O-RING D. 15.6 X 1.78 NBR 90SH | 2,00 | | | -- |
| 0003 | MLML29751 | 00029751 | SPRING VB 7 | 1,00 | | | -- |
| 0004 | PVVR40391 | | COUPLING N/RIT. VB350 IX+OR | 1,00 | | | -- |
| 0005 | S GUGO46053 | 00046053 | O-RING D. 6 X 3 NBR 90SH | 1,00 | | | -- |
| 0006 | PVVR40401 | | VALVE BODY V280-350/4 OT | 1,00 | | | -- |
| 0007 | S PVVR40392 | | PISTON SEAT VB 11.6X19X6 IX | 1,00 | | | -- |
| 0008 | S PVVR40393 | | PISTON VB350 M8 IX | 1,00 | | | -- |
| 0009 | S GUGO24913 | 00024913 | O-RING D. 17.17 X 1.78 NBR 90SH | 1,00 | | | -- |
| 0010 | PVVR40394 | | SPACER VB350 D.10.3 X23.4 OT | 1,00 | | | -- |
| 0011 | S GUVR40079 | | GASKET VB 10X14.9 +OR | 1,00 | | | -- |
| 0012 | S GUGO01057 | 00001057 | O-RING D. 20.35 X 1.78 NBR 70SH | 1,00 | | | -- |
| 0013 | PVVR40395 | | PISTON GUIDE VB350 | 1,00 | | | -- |
| 0014 | VTVT12488 | 00012488 | SCREW TCEI 4X 4 | 1,00 | | | -- |
| 0015 | PVVR40396 | | RING NUT M 27X1 OT | 1,00 | | | -- |
| 0016 | S GUVR40080 | | GASKET VB 9X14 +OR | 1,00 | | | -- |
| 0017 | PVVR40397 | | PUSH ROD VB350 M8 IX | 1,00 | | | -- |
| 0018 | S SFVR06779 | 00006779 | BALL INOX 11/32 | 1,00 | | | -- |
| 0019 | S PVVR40398 | | CAP VB350 OT. | 1,00 | | | -- |
| 0020 | MLML40031 | | SPRING D. 4.5X15.8X47 VB | 1,00 | | | -- |
| 0021 | PVVR40399 | | CAP VB350 OT | 1,00 | | | -- |
| 0022 | PVVR40400 | | KNOB VB350 RD | 1,00 | | | -- |
| 0023 | PVVR41503 | 00041503 | MANIFOLD VB 9 | 1,00 | | | -- |
| 0024 | S GUGO08182 | 00008182 | O-RING D. 21.91 X 1.78 NBR 70SH | 1,00 | | | -- |
| 0025 | S GUGO19290 | 00019290 | O-RING D. 23.52 X 1.78 NBR 70SH | 1,00 | | | -- |
| 0026 | PVVR40026 | | CONTROL PISTON VB 350 INX | 1,00 | | | -- |
| 0027 | PVVR40027 | | CAP M 10X1 OT. VB350 | 1,00 | | | -- |
| 0028 | GUVR43332 | 00043332 | ANTI-EXTR.RING D. 3.2X 7.5 | 1,00 | | | -- |
| 0029 | S GUGO21835 | 00021835 | O-RING D. 2.84 X 2.62 VIT. 80SH | 1,00 | | | -- |
| 0030 | PVVR40028 | | CONNECTOR VB350 G1/2M OT. | 1,00 | | | -- |
| 0031 | VTRS40019 | | WASHER D. 4 X16 X2.5 OT | 1,00 | | | -- |
| 0032 | S GUGO01062 | 00001062 | O-RING D. 3.69 X 1.78 NBR 70SH | 1,00 | | | -- |
| 0033 | S GUGO24916 | 00024916 | O-RING D. 6.02 X 2.62 NBR 90SH | 1,00 | | | -- |
| 0034 | MEVR10461 | 00010461 | CABLE CLAMP PR5 | 1,00 | | | -- |
| 0035 | MECI41499 | 00041499 | MICROSWITCH 6A PA | 1,00 | | | -- |
| 0036 | MPVR41498 | 00041498 | LID S.T-STOP PR5 | 1,00 | | | -- |
| 0037 | VTVT92473 | | SCREW TCB-TC 2,5X12 ZINC | 2,00 | | | -- |
| 0038 | S GUGO01941 | 00001941 | O-RING D. 28.25 X 2.62 NBR 70SH | 1,00 | | | -- |
| 0039 | MPVR41497 | 00041497 | SHELL T-STOP PR5 | 1,00 | | | -- |
| 0040 | LAFN41496 | 00041496 | PLUG "U" PR5 | 1,00 | | | -- |
| 0041 | VTRS17740 | 00017740 | WASHER D. 4 X 8 | 1,00 | | | -- |
| 0042 | MLML11067 | 00011067 | SPRING D. 8 X20 X1.1 INX PR5 | 1,00 | | | -- |
| 0043 | PVVR40029 | | CONTROL PISTON PR 5 | 1,00 | | | -- |
| 0044 | MEPF41516 | 00041516 | PRESSURE SWITCH PA PR 5 | 1,00 | | | -- |



| Ref. Part n. | Cust. part n. | Description | Reference | Price |
|--------------|---------------|--------------------------|--|-------|
| KTRI40270 | | KIT P 14-107 VB350 +PR 5 | 0002 0005 0007 0008 0009 0011 0012 0016 0018 0019 0024 0025 0029 0032 0033 0038 | -- |



| Ref. K | Part n. | Customer part n. | Description | Quantity | Validity | | Price |
|--------|-------------|------------------|---------------------------------|----------|----------|----|-------|
| | | | | | From | To | |
| 0001 | MPVR40100 | | BODY RL 55 2PZ. | 1,00 | | | -- |
| 0002 | RCDS43331 | 00043331 | CAP M 10X1 RL55 | 1,00 | | | -- |
| 0003 | S GUVR43332 | 00043332 | ANTI-EXTR.RING D. 3.2X 7.5 | 1,00 | | | -- |
| 0004 | S GUGO17952 | 00017952 | O-RING D. 2.84 X 2.62 NBR 70SH | 1,00 | | | -- |
| 0005 | S GUGO11652 | 00011652 | O-RING D. 12.42 X 1.78 NBR 70SH | 1,00 | | | -- |
| 0006 | PVVR40052 | | TUBE G 1/4" M P/SW. | 1,00 | | | -- |
| 0007 | MLML43334 | 00043334 | SPRING D.10.4X24 RL | 1,00 | | | -- |
| 0008 | S SFVR06779 | 00006779 | BALL INOX 11/32 | 1,00 | | | -- |
| 0009 | S PVVR21258 | 00021258 | SEAT D.6 | 1,00 | | | -- |
| 0010 | S GUGO19194 | 00019194 | O-RING D. 11.11 X 1.78 NBR 70SH | 1,00 | | | -- |
| 0011 | PVVR43335 | 00043335 | GUN BODY RL55 | 1,00 | | | -- |
| 0012 | MPVR38722 | 00038722 | SAFETY-DEVICE RL25 | 1,00 | | | -- |
| 0013 | MPVR43336 | 00043336 | TRIGGER RL55 | 1,00 | | | -- |
| 0015 | VTVR43337 | 00043337 | PIN D. 5 X 33 RL55 | 1,00 | | | -- |
| 0016 | VTVR07058 | 00007058 | PLUG D. 4X20 HM | 2,00 | | | -- |
| 0017 | S PVVR43338 | 00043338 | SMALL PISTON RL55 D. 3X38 | 1,00 | | | -- |
| 0018 | MPVR43339 | 00043339 | CONNECTING ROD RL55 | 1,00 | | | -- |
| 0019 | VTVR43340 | 00043340 | PIN D. 4 X 29 RL55 | 1,00 | | | -- |
| 0020 | VTAE40001 | | CIRCLIP D.16 AR4 | 1,00 | | | -- |
| 0021 | PVVR40051 | | TUBE G 1/4 RL55 2V. | 1,00 | | | -- |
| 0023 | PVVR40053 | | BUSHING SW.RL55 | 1,00 | | | -- |
| 0024 | GUGO10525 | 00010525 | O-RING D. 9.3 X 2.4 NBR 70SH | 1,00 | | | -- |
| 0025 | GUVR38711 | 00038711 | ANTI-EXTR.RING D.10.2X13.9 | 1,00 | | | -- |
| 0026 | PVVR40054 | | CENTRAL BODY SW.RL55 INX | 1,00 | | | -- |
| 0027 | PVVR40055 | | BUSHING SW.RL55 EXT. | 1,00 | | | -- |
| 0028 | PVVR40056 | | RING NUT SWIVEL RL55 | 1,00 | | | -- |
| 0029 | PVVR40057 | | NIPPLE SW.RL55 INX | 1,00 | | | -- |
| 0030 | PVVR40050 | | CONNECTION M24X1.5 AR4 BL. | 1,00 | | | -- |
| 0031 | PVVR40049 | | COUPLING G 1/4F RL55-AR4 | 1,00 | | | -- |
| 0032 | GUGO10525 | 00010525 | O-RING D. 9.3 X 2.4 NBR 70SH | 1,00 | | | -- |
| 0033 | GUVR38711 | 00038711 | ANTI-EXTR.RING D.10.2X13.9 | 1,00 | | | -- |
| 0034 | GUGO10525 | 00010525 | O-RING D. 9.3 X 2.4 NBR 70SH | 1,00 | | | -- |
| 0035 | VTVT13234 | 00013234 | SCREW TCB-TC 3.5X19 NIK | 7,00 | | | -- |



| Ref. Part n. | Cust. part n. | Description | Reference | Price |
|--------------|---------------|-------------|------------------------------------|-------|
| KTRI43343 | KIT P 26- 18 | | 0003 0004 0005 0008 0009 0010 0017 | -- |