

**Integrated Professional Cleaning**



**IPC Foma**



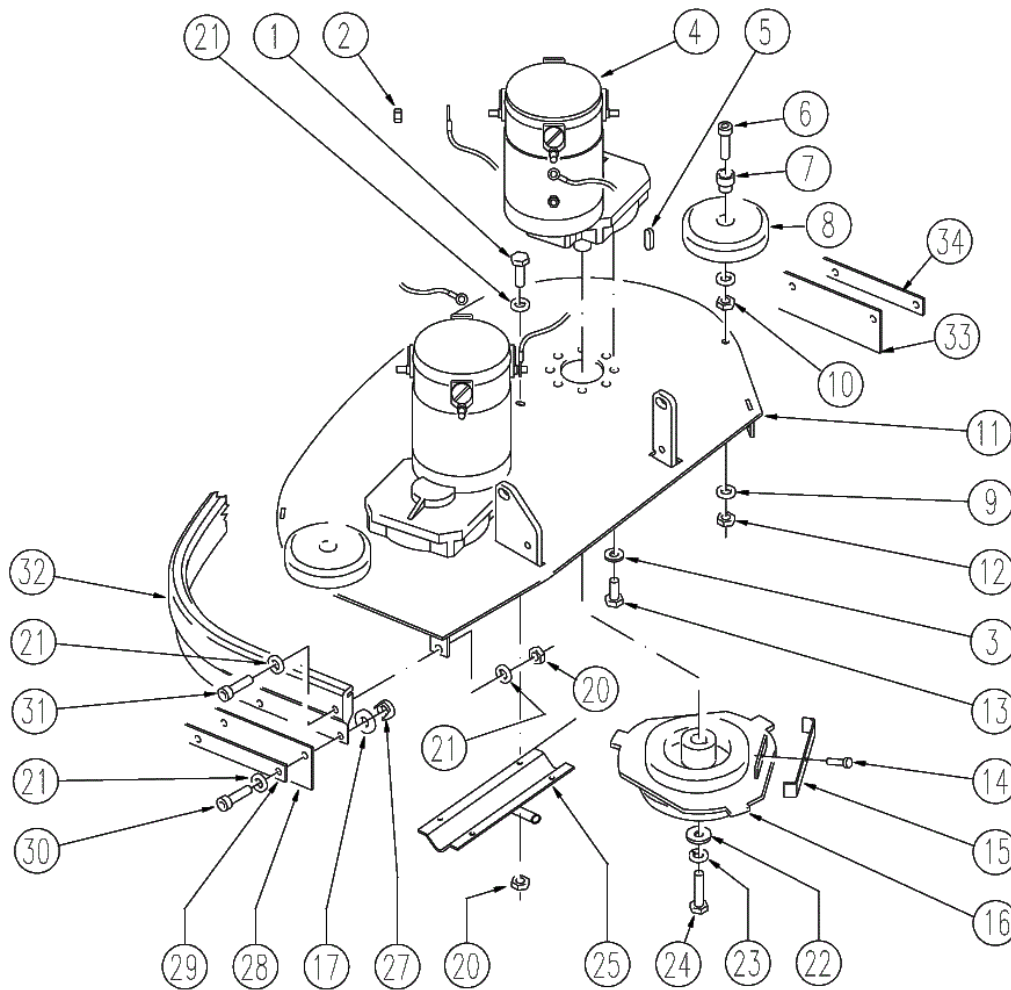
**IPC Sverige**

## Spare Parts List

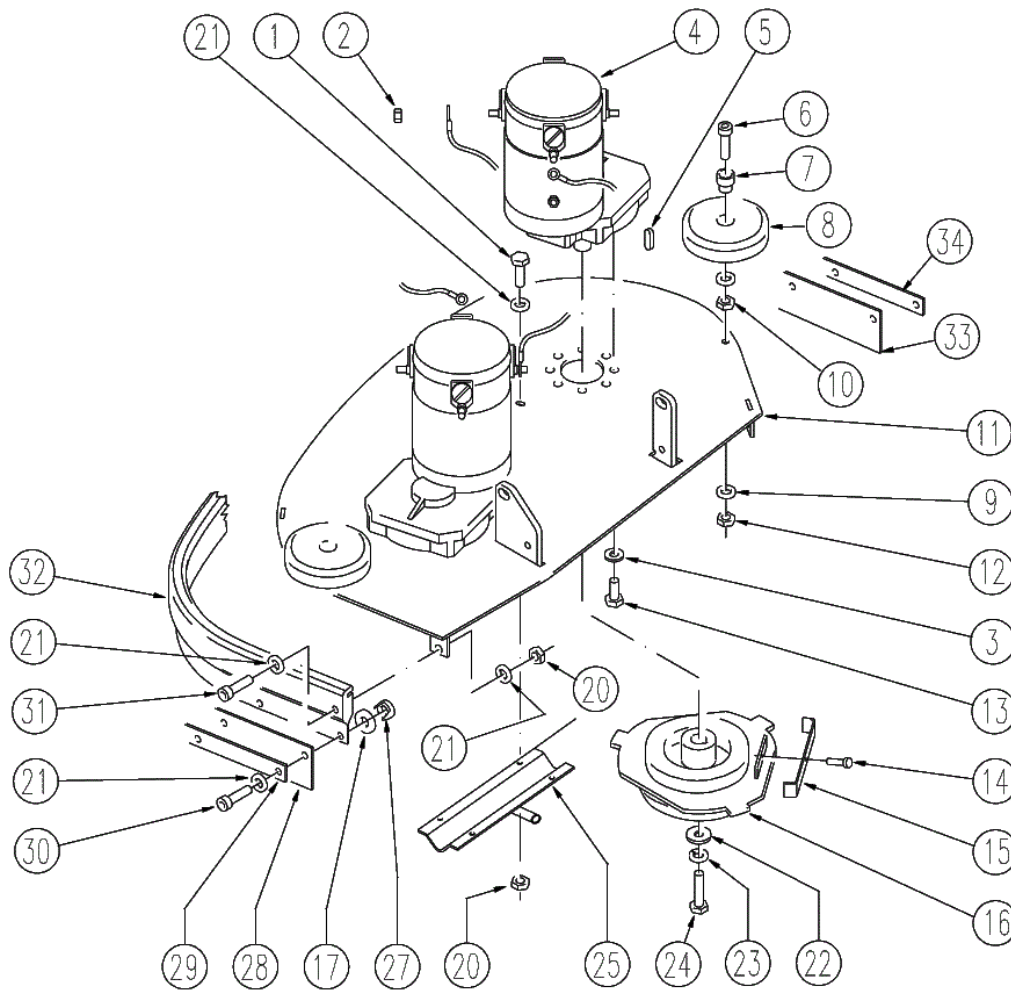
FOMA NORGE AS

Ref: LPTB01421

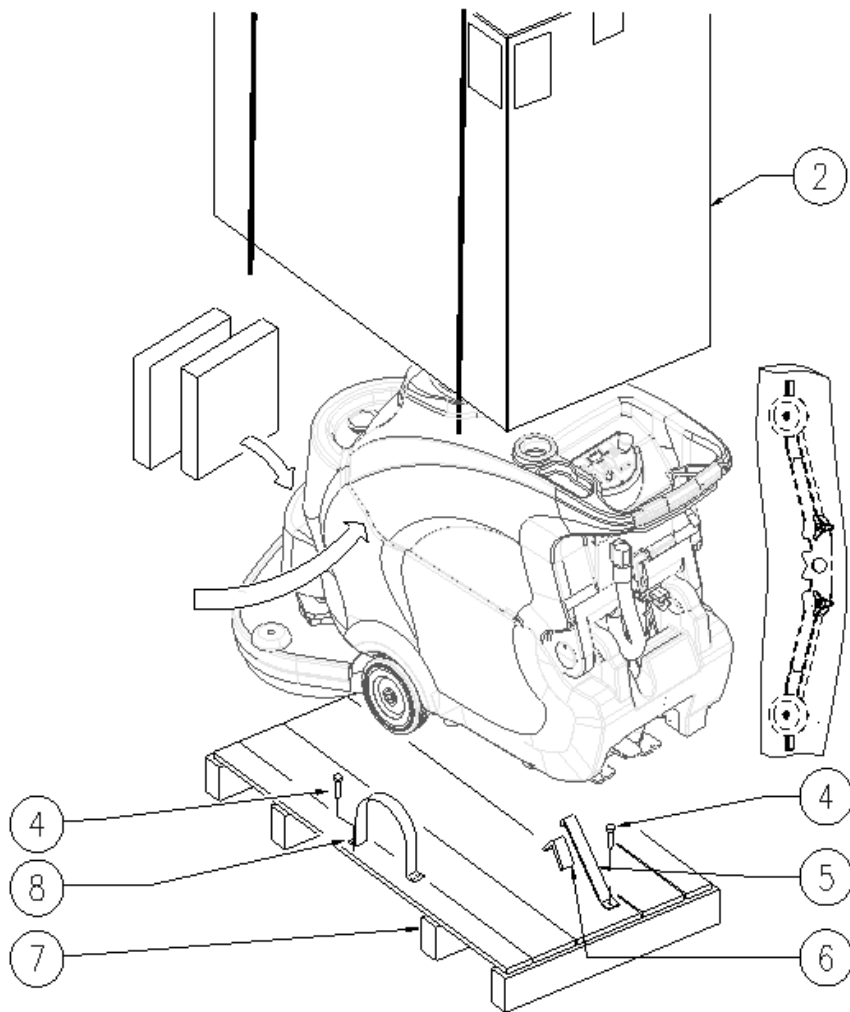
Model: CT90 BT60 GR/VE



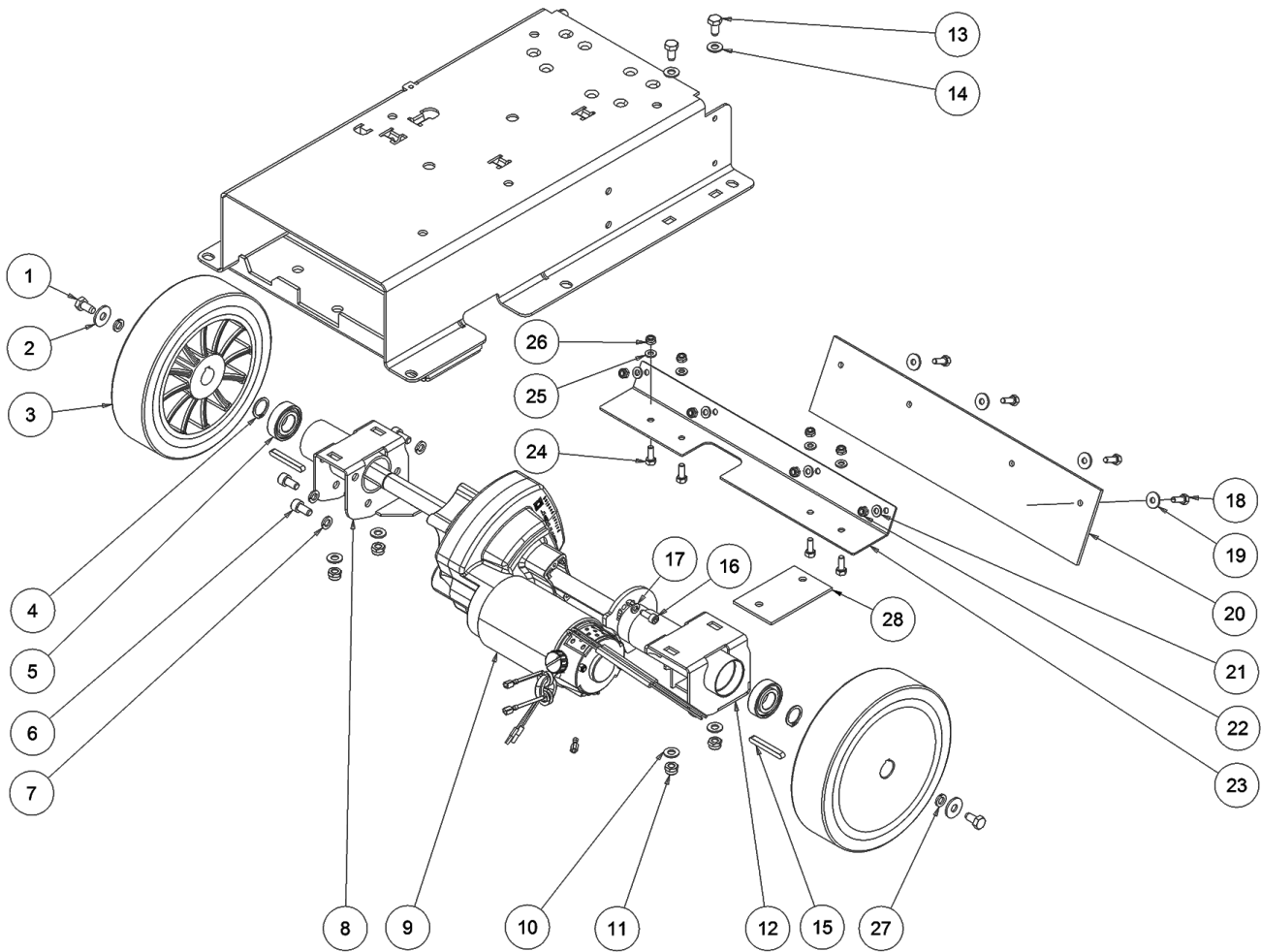
| Ref. | K | Part N.   | Customer Part N. | Description                     | Qty   | Validity: |         | Price |
|------|---|-----------|------------------|---------------------------------|-------|-----------|---------|-------|
|      |   |           |                  |                                 |       | From      | To      |       |
| 0001 |   | VTVT15143 |                  | SCREW TE 6X16 UNI5739           | 4,00  |           |         | --    |
| 0002 |   | VTDD13942 |                  | NUT M 6 UNI 5587 INX            | 4,00  |           |         | --    |
| 0003 |   | VTRS15144 |                  | WASHER D. 6 INX GRW UNI 1751    | 18,00 |           |         | --    |
| 0004 |   | MOCC00315 |                  | MOTOR MRP6 1/10 210G/ 24V W300  | 2,00  |           | 06/2008 | --    |
| 0004 |   | MOCC00328 |                  | MOTOR GEARBOX BRUSH 24V 380W    | 2,00  | 06/2008   |         | --    |
| 0004 |   | MOCC00344 |                  | BRUSH -                         | 4,00  |           |         | --    |
| 0005 |   | VTVR21944 |                  | KEY 6X6X30                      | 2,00  |           |         | --    |
| 0006 |   | VTVT00775 |                  | SCREW TCEI M 8X40 ZC.BK UNI5931 | 2,00  |           | 06/2009 | --    |
| 0006 |   | VTVT06241 |                  | SCREW 8X40                      | 2,00  | 06/2009   |         | --    |
| 0007 |   | LAFN03915 |                  | BUSHING NUOVO RUOTINO STRONG    | 2,00  |           |         | --    |
| 0008 |   | MPVR05290 |                  | ROLLER PARACOLPI                | 2,00  | 04/2008   |         | --    |
| 0008 |   | RTRT43370 |                  | CASTER D.100 2V.                | 2,00  |           | 04/2008 | --    |
| 0009 |   | VTRS13947 |                  | WASHER D. 8 INX UNI 6592        | 4,00  |           |         | --    |
| 0010 |   | VTDD15521 |                  | NUT M 8 INX A2 UNI 5588         | 2,00  |           |         | --    |
| 0011 |   | LAFN06726 |                  | PLATE TESTATA 60                | 1,00  | 05/2008   | 07/2012 | --    |
| 0011 |   | LAFN07956 |                  | PLATE TESTATA 60                | 1,00  | 07/2012   |         | --    |
| 0011 |   | LAFN09087 |                  | HEAD 60                         | 1,00  |           | 05/2008 | --    |
| 0012 |   | VTDD01695 |                  | NUT M 8 INX                     | 2,00  |           |         | --    |
| 0013 |   | VTVT15906 |                  | SCREW TE 6X 12 A2 UNI 5739      | 14,00 |           |         | --    |
| 0014 |   | VTVT21887 |                  | SCREW TCB-TC 4X10 8112          | 2,00  |           |         | --    |
| 0015 |   | MLML00230 |                  | SPRING ANTISGANCIO 70 X FLANGIA | 2,00  |           | 09/2007 | --    |
| 0015 |   | MLML00231 |                  | SPRING ANTISGANCIO 85 X FLANGIA | 2,00  | 09/2007   | 05/2012 | --    |
| 0015 |   | MLML00328 |                  | SPRING -                        | 2,00  | 05/2012   |         | --    |
| 0016 |   | MFVR00212 |                  | DRIVE DISK                      | 2,00  |           |         | --    |
| 0017 |   | MPVR35582 |                  | RUBBER LAV.                     | 8,00  |           |         | --    |
| 0020 |   | VTDD01694 |                  | NUT M6 INOX                     | 7,00  |           |         | --    |
| 0021 |   | VTRS13945 |                  | WASHER D. 6X18 INX UNI 6593     | 18,00 |           |         | --    |
| 0022 |   | VTRS13946 |                  | WASHER D. 8 X24 INX UNI 6593    | 2,00  |           |         | --    |
| 0023 |   | VTRS15146 |                  | WASHER D. 8 INX GRW UNI 1751    | 2,00  |           |         | --    |
| 0024 |   | VTVT13938 |                  | SCREW TE 8X20 UNI5739 INX       | 2,00  |           |         | --    |
| 0025 |   | LAFN07235 |                  | DISTRIBUTOR 60                  | 1,00  |           |         | --    |
| 0027 |   | VTDD00175 |                  | NUT M.6 TONDO FILET.4 PUNTE     | 8,00  |           |         | --    |
| 0028 |   | MPVR04746 |                  | FLAP 355X63 sp.4                | 2,00  |           | 07/2012 | --    |
| 0028 |   | MPVR05534 |                  | FLAP                            | 1,00  | 07/2012   |         | --    |
| 0029 |   | MPVR05207 |                  | SHEET METAL PA.FLAP             | 2,00  |           | 07/2012 | --    |
| 0029 |   | MPVR05535 |                  | FLAP PRESS                      | 1,00  | 07/2012   |         | --    |
| 0030 |   | VTVT15143 |                  | SCREW TE 6X16 UNI5739           | 8,00  |           |         | --    |
| 0031 |   | VTVT00392 |                  | SCREW M6x35 UNI5739 inox        | 3,00  |           |         | --    |
| 0032 |   | MPVR05231 |                  | BUMPER -                        | 1,00  |           | 07/2012 | --    |



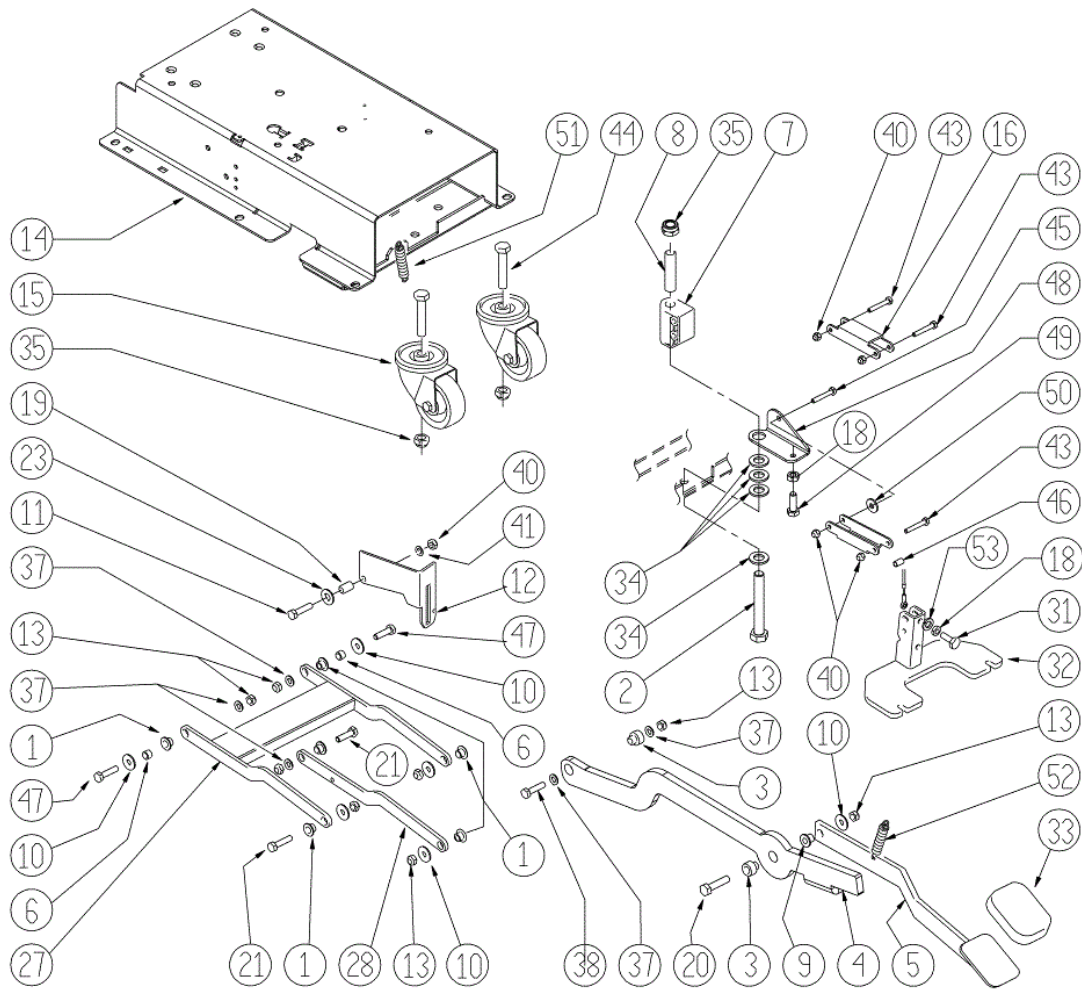
| Ref. K | Part N.   | Customer Part N. | Description       | Qty  | Validity: |    | Price |
|--------|-----------|------------------|-------------------|------|-----------|----|-------|
|        |           |                  |                   |      | From      | To |       |
| 0032   | MPVR06232 |                  | BUMPER TESTATA 60 | 1,00 | 07/2012   |    | --    |
| 0033   | MPVR05270 |                  | FLAP DX           | 1,00 | 07/2012   |    | --    |
| 0034   | MPVR05269 |                  | FLAP FLAP         | 1,00 | 07/2012   |    | --    |



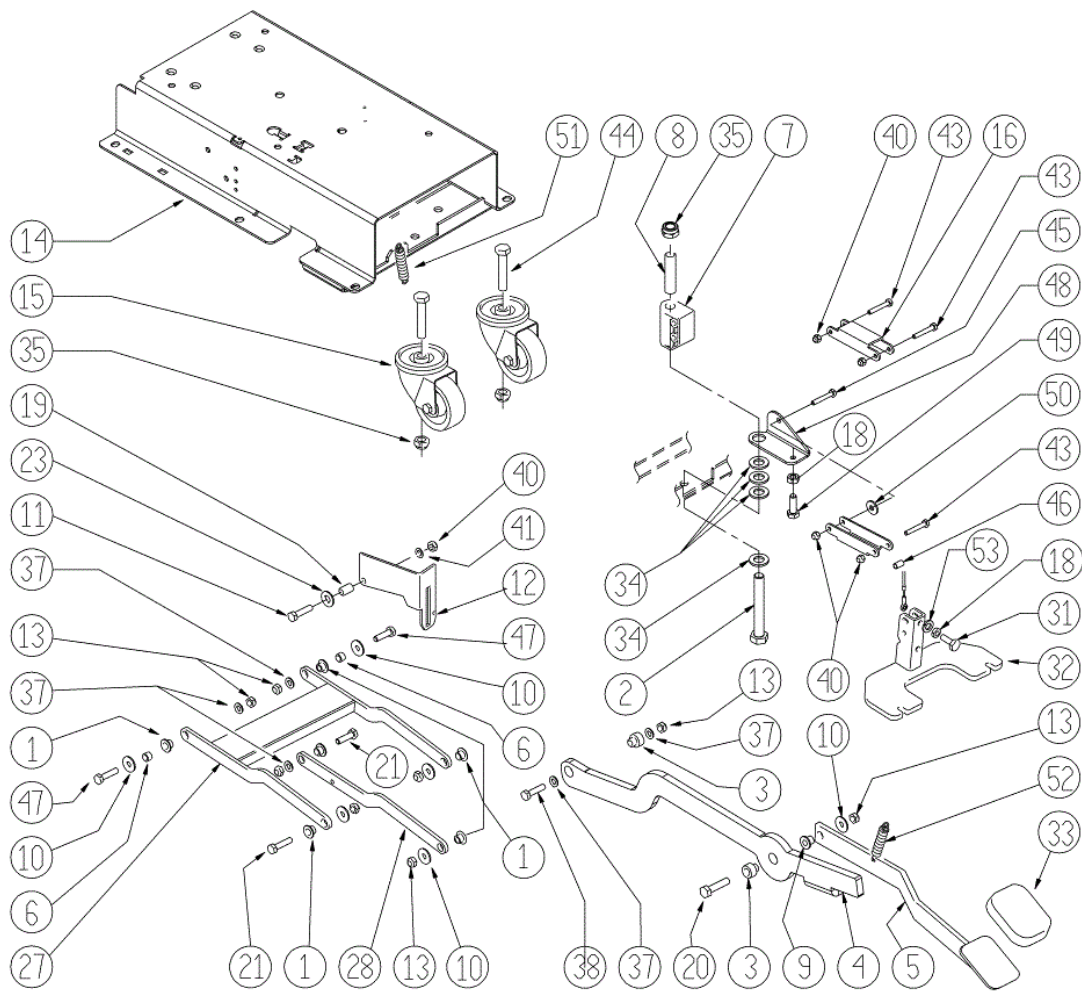
| Ref. | K | Part N.   | Customer Part N. | Description                     | Qty  | Validity: |    | Price |
|------|---|-----------|------------------|---------------------------------|------|-----------|----|-------|
|      |   |           |                  |                                 |      | From      | To |       |
| 0002 |   | MICT00197 |                  | BOX                             | 1,00 |           |    | --    |
| 0004 |   | VTVT00043 |                  | SCREW AUTOF.LEGNO 4,5X25 TS BR  | 9,00 |           |    | --    |
| 0005 |   | MIVR00137 |                  | CLAMP RUOTA POSTERIORE X IMBAL. | 1,00 |           |    | --    |
| 0006 |   | GUGO00009 |                  | MOUSSE                          | 0,05 |           |    | --    |
| 0007 |   | MIBA00011 |                  | PALLET                          | 1,00 |           |    | --    |
| 0008 |   | MIVR00135 |                  | CLAMP RUOTA POSTERIORE X IMBAL. | 2,00 |           |    | --    |



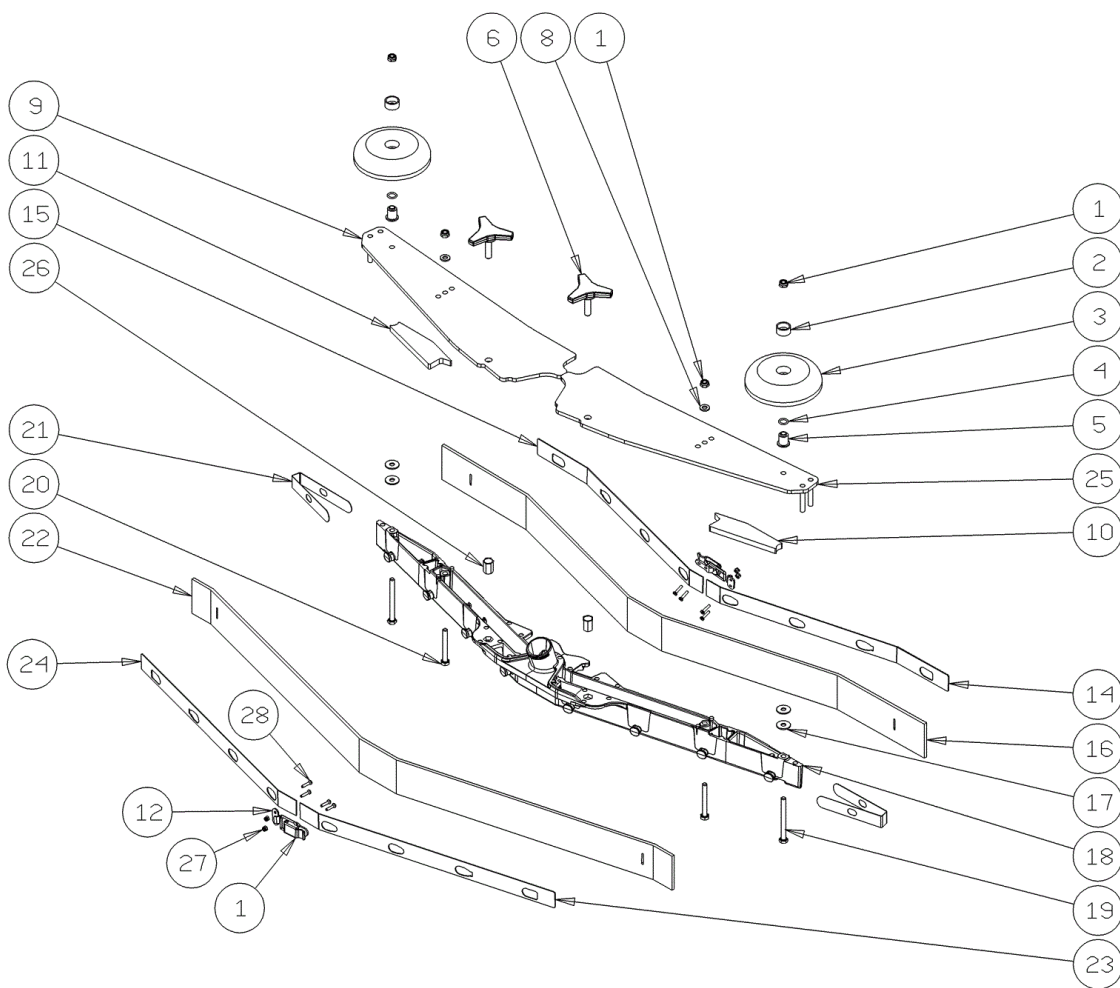
| Ref. | K | Part N.   | Customer Part N. | Description                  | Qty  | Validity: |         | Price |
|------|---|-----------|------------------|------------------------------|------|-----------|---------|-------|
|      |   |           |                  |                              |      | From      | To      |       |
| 0001 |   | VTVT15916 |                  | SCREW TE M 8X 16 UNI 5739 A2 | 2,00 |           |         | --    |
| 0002 |   | VTRS13946 |                  | WASHER D. 8 X24 INX UNI 6593 | 2,00 |           |         | --    |
| 0003 |   | RTRT00521 |                  | WHEEL -                      | 2,00 |           | 01/2010 | --    |
| 0003 |   | RTRT00524 |                  | WHEEL -                      | 2,00 | 01/2010   | 05/2010 | --    |
| 0003 |   | RTRT00529 |                  | WHEEL D200                   | 2,00 | 05/2010   | 06/2012 | --    |
| 0003 |   | RTRT00546 |                  | WHEEL D.200                  | 2,00 | 06/2012   |         | --    |
| 0004 |   | VTAE06193 |                  | CIRCLIP D. 20 UNI 7435       | 2,00 |           |         | --    |
| 0005 |   | CUVR00083 |                  | BEARING 6004 2RS H SKF       | 2,00 | 09/2011   | 04/2013 | --    |
| 0005 |   | CUVR00190 |                  | BEARING 6004                 | 2,00 | 04/2013   |         | --    |
| 0005 |   | CUVR19846 |                  | BALL BEARING 6004 2RS1       | 2,00 |           | 09/2011 | --    |
| 0006 |   | VTVT00876 |                  | SCREW TCEI M.8-16            | 3,00 |           |         | --    |
| 0007 |   | VTRS15146 |                  | WASHER D. 8 INX GRW UNI 1751 | 3,00 |           |         | --    |
| 0008 |   | LAFN07543 |                  | SUPPORT -                    | 1,00 |           | 03/2011 | --    |
| 0008 |   | LAFN07811 |                  | SUPPORT -                    | 1,00 | 03/2011   |         | --    |
| 0009 |   | MOCC00341 |                  | MOTOR 24V                    | 1,00 |           | 12/2010 | --    |
| 0009 |   | MOCC00395 |                  | MOTOR TRACTION 24V 200W 150G | 1,00 | 12/2010   |         | --    |
| 0010 |   | VTRS13947 |                  | WASHER D. 8 INX UNI 6592     | 4,00 |           |         | --    |
| 0011 |   | VTDD01695 |                  | NUT M 8 INX                  | 4,00 |           |         | --    |
| 0012 |   | LAFN07544 |                  | SUPPORT -                    | 1,00 |           | 03/2011 | --    |
| 0012 |   | LAFN07813 |                  | SUPPORT -                    | 1,00 | 03/2011   |         | --    |
| 0013 |   | VTVT15916 |                  | SCREW TE M 8X 16 UNI 5739 A2 | 4,00 |           |         | --    |
| 0014 |   | VTRS13947 |                  | WASHER D. 8 INX UNI 6592     | 4,00 |           |         | --    |
| 0015 |   | VTVR00566 |                  | KEY 6X10X40                  | 2,00 | 06/2012   |         | --    |
| 0015 |   | VTVR33668 |                  | KEY 6x 6x40 UNI 6604A        | 2,00 |           | 06/2012 | --    |
| 0016 |   | VTVT00717 |                  | SCREW TCEI M. 6-16           | 2,00 |           |         | --    |
| 0017 |   | VTRS15144 |                  | WASHER D. 6 INX GRW UNI 1751 | 2,00 |           |         | --    |
| 0018 |   | VTVT15143 |                  | SCREW TE 6X16 UNI5739        | 4,00 | 07/2012   |         | --    |
| 0019 |   | VTRS13945 |                  | WASHER D. 6X18 INX UNI 6593  | 4,00 | 07/2012   |         | --    |
| 0020 |   | MPVR06230 |                  | FLAP CT40 CT70-90            | 1,00 | 07/2012   | 03/2014 | --    |
| 0020 |   | MPVR06966 |                  | FLAP -                       | 1,00 | 03/2014   |         | --    |
| 0021 |   | VTRS00245 |                  | WASHER D.6 UNI 6592 INOX     | 4,00 | 07/2012   |         | --    |
| 0022 |   | VTDD01694 |                  | NUT M6 INOX                  | 4,00 | 07/2012   |         | --    |
| 0023 |   | LAFN07951 |                  | BRACKET CT40-90              | 1,00 | 07/2012   |         | --    |
| 0024 |   | VTVT01531 |                  | SCREW TE 6X 16 UNI 5739      | 4,00 | 07/2012   |         | --    |
| 0025 |   | VTRS00245 |                  | WASHER D.6 UNI 6592 INOX     | 4,00 | 07/2012   |         | --    |
| 0026 |   | VTDD01694 |                  | NUT M6 INOX                  | 4,00 | 07/2012   |         | --    |
| 0027 |   | VTRS15146 |                  | WASHER D. 8 INX GRW UNI 1751 | 2,00 |           |         | --    |
| 0028 |   | MPVR10764 |                  | PROTECTION .                 | 1,00 | 06/2016   |         | --    |



| Ref. | K | Part N.   | Customer Part N. | Description                    | Qty  | Validity: |         | Price |
|------|---|-----------|------------------|--------------------------------|------|-----------|---------|-------|
|      |   |           |                  |                                |      | From      | To      |       |
| 0001 |   | LAFN06391 |                  | BUSHING PARALLELOGRAMMA        | 6,00 |           |         | --    |
| 0002 |   | VTVT01686 |                  | SCREW TE M12X90                | 1,00 |           |         | --    |
| 0003 |   | LAFN04190 |                  | BUSHING PARALLELOGR.TEST.GR.   | 2,00 |           |         | --    |
| 0004 |   | LAFN07593 |                  | BRACKET LIFTING BRUSH HEAD     | 1,00 |           |         | --    |
| 0005 |   | LAFN07555 |                  | LEVER -                        | 1,00 |           | 06/2013 | --    |
| 0005 |   | LAFN09269 |                  | LEVER 90                       | 1,00 | 06/2013   |         | --    |
| 0006 |   | RCDS34717 |                  | BUSHING D. 9X12X 8.3           | 2,00 |           |         | --    |
| 0007 |   | MPVR04734 |                  | BLOCK TERGI                    | 1,00 |           |         | --    |
| 0008 |   | LAFN09006 |                  | PIN -                          | 1,00 |           |         | --    |
| 0009 |   | LAFN51068 |                  | BUSHING LEVA POSTER.           | 1,00 |           |         | --    |
| 0010 |   | VTRS13946 |                  | WASHER D. 8 X24 INX UNI 6593   | 6,00 |           |         | --    |
| 0011 |   | VTVT00161 |                  | SCREW TE M6X20                 | 1,00 |           |         | --    |
| 0012 |   | LAFN10124 |                  | PLATE -                        | 1,00 |           |         | --    |
| 0013 |   | VTDD01695 |                  | NUT M 8 INX                    | 7,00 |           |         | --    |
| 0014 |   | LAFN06422 |                  | FRAME -                        | 1,00 |           |         | --    |
| 0015 |   | RTRT00395 |                  | WHEEL CASTOR D.80X25 PU        | 2,00 | 03/2013   |         | --    |
| 0015 |   | RTRT00518 |                  | WHEEL CASTOR D.80X30           | 2,00 |           | 03/2013 | --    |
| 0016 |   | LAFN05853 |                  | LEVER ARM SOLLEVAMENTO TERGI   | 2,00 |           |         | --    |
| 0018 |   | VTDD15521 |                  | NUT M 8 INX A2 UNI 5588        | 1,00 |           |         | --    |
| 0019 |   | LAFN03840 |                  | BUSHING -                      | 1,00 |           |         | --    |
| 0020 |   | VTVT15917 |                  | SCREW TE M 8X50 INOX A2 UNI    | 1,00 |           |         | --    |
| 0021 |   | VTVT15907 |                  | SCREW TE 8X25 UNI5739 INX      | 4,00 |           |         | --    |
| 0023 |   | VTRS00274 |                  | WASHER NYLON 66 D.8,4-17-2 UNI | 1,00 |           |         | --    |
| 0027 |   | LAFN07563 |                  | ARM -                          | 1,00 |           |         | --    |
| 0028 |   | LAFN06389 |                  | ARM PARALLELOGRAMMA            | 1,00 |           |         | --    |
| 0031 |   | VTVT00410 |                  | SCREW TE M8x35 UNI5739 INOX    | 1,00 |           |         | --    |
| 0032 |   | LAFN07560 |                  | PLATE -                        | 1,00 |           |         | --    |
| 0033 |   | MPVR05186 |                  | COVERING -                     | 1,00 |           |         | --    |
| 0034 |   | VTRS15978 |                  | WASHER D.12X24 UNI 6592 INX    | 4,00 |           |         | --    |
| 0035 |   | VTDD00176 |                  | NUT M.12 INOX A2 BASSO AUTOB.  | 3,00 |           |         | --    |
| 0037 |   | VTRS13947 |                  | WASHER D. 8 INX UNI 6592       | 4,00 |           |         | --    |
| 0038 |   | VTVT00429 |                  | SCREW TE M 8X 40 INX UNI 5737  | 1,00 |           |         | --    |
| 0040 |   | VTDD01694 |                  | NUT M6 INOX                    | 5,00 |           |         | --    |
| 0041 |   | VTRS00245 |                  | WASHER D.6 UNI 6592 INOX       | 1,00 |           |         | --    |
| 0043 |   | VTVT01683 |                  | SCREW TE 6X40                  | 4,00 |           |         | --    |
| 0044 |   | VTVT00995 |                  | SCREW TE M12X40                | 2,00 |           |         | --    |
| 0045 |   | VTVT01684 |                  | SCREW TE 6X45                  | 1,00 |           |         | --    |
| 0046 |   | LAFN06898 |                  | SPACER 6-8 h15                 | 1,00 |           |         | --    |
| 0047 |   | VTVT13937 |                  | SCREW TE M 8X 30 INX UNI 5739  | 2,00 |           |         | --    |

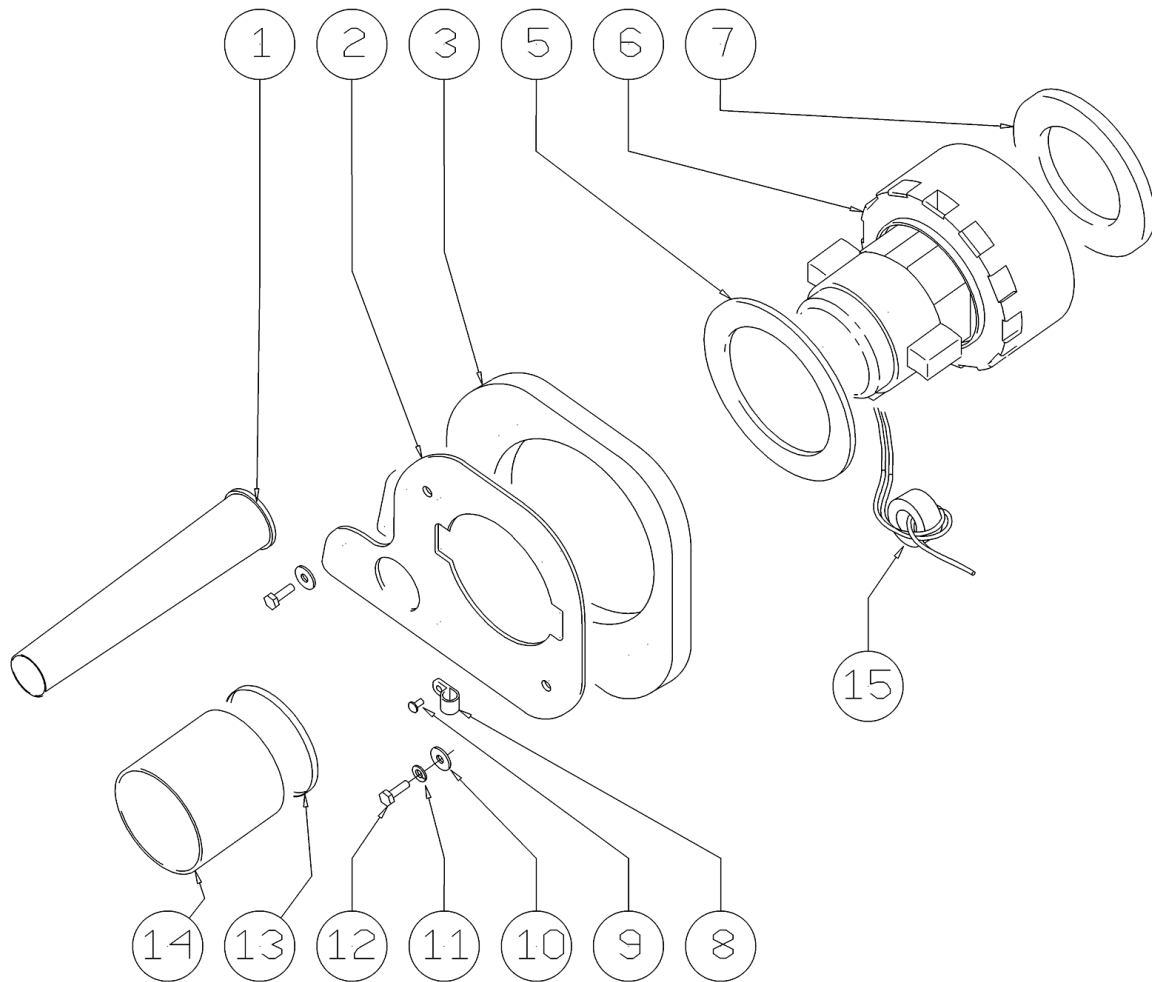


| Ref. K | Part N.   | Customer Part N. | Description                  | Qty  | Validity: |    | Price |
|--------|-----------|------------------|------------------------------|------|-----------|----|-------|
|        |           |                  |                              |      | From      | To |       |
| 0048   | LAFN08999 |                  | BRACKET -                    | 1,00 |           |    | --    |
| 0049   | VTVT13938 |                  | SCREW TE 8X20 UNI5739 INX    | 1,00 |           |    | --    |
| 0050   | VTRS13945 |                  | WASHER D. 6X18 INX UNI 6593  | 1,00 |           |    | --    |
| 0051   | MLML00303 |                  | SPRING REGISTRAZIONE FLAP    | 1,00 |           |    | --    |
| 0052   | MLML00303 |                  | SPRING REGISTRAZIONE FLAP    | 1,00 |           |    | --    |
| 0053   | VTRS15146 |                  | WASHER D. 8 INX GRW UNI 1751 | 1,00 | 03/2013   |    | --    |

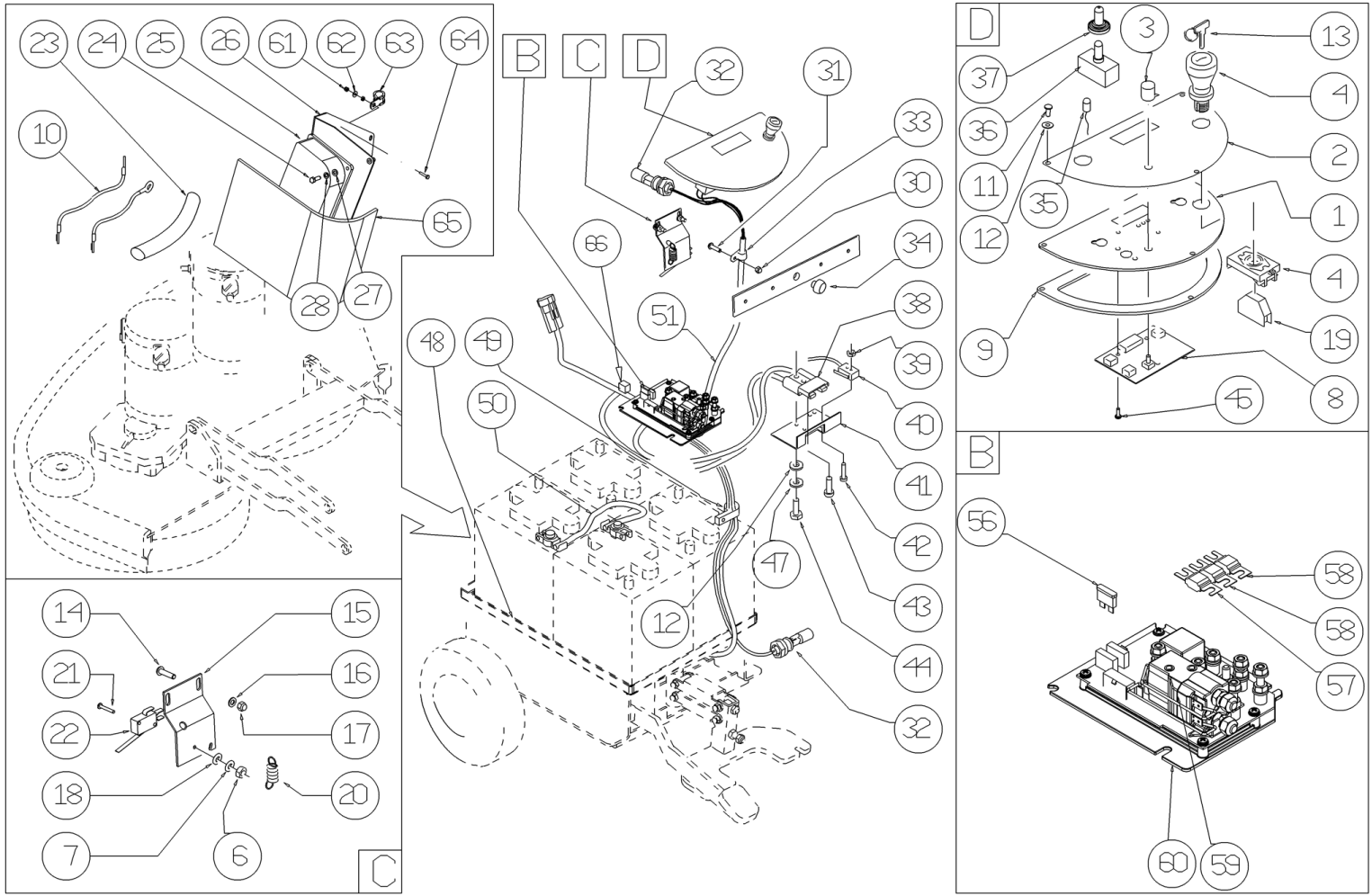


| Ref. | K | Part N.   | Customer Part N. | Description                      | Qty  | Validity: |         | Price |
|------|---|-----------|------------------|----------------------------------|------|-----------|---------|-------|
|      |   |           |                  |                                  |      | From      | To      |       |
| 0001 |   | LAFN09302 |                  | CLOSURE -                        | 2,00 | 09/2013   |         | --    |
| 0002 |   | MPVR49229 |                  | BUSHING SHK                      | 2,00 |           |         | --    |
| 0003 |   | MPVR05290 |                  | ROLLER PARACOLPI                 | 2,00 |           |         | --    |
| 0004 |   | GUGO00164 |                  | GASKET                           | 2,00 |           |         | --    |
| 0005 |   | LAFN04100 |                  | SPACER PER RUOTINO PARACOLPI     | 2,00 |           |         | --    |
| 0006 |   | MPVR06003 |                  | KNOB AISI 304                    | 2,00 |           | 03/2013 | --    |
| 0006 |   | MPVR06004 |                  | KNOB AISI 304                    | 2,00 | 03/2013   |         | --    |
| 0008 |   | VTRS00245 |                  | WASHER D.6 UNI 6592 INOX         | 2,00 |           |         | --    |
| 0009 |   | LAFN09012 |                  | PLATE -                          | 1,00 |           |         | --    |
| 0010 |   | GUVR00301 |                  | GASKET -                         | 1,00 |           |         | --    |
| 0011 |   | GUVR00300 |                  | GASKET -                         | 1,00 |           |         | --    |
| 0012 |   | LAFN09301 |                  | SOCKET -                         | 2,00 | 09/2013   |         | --    |
| 0014 |   | LAFN08948 |                  | BRACKET -                        | 1,00 |           | 09/2013 | --    |
| 0014 |   | LAFN09279 |                  | SHEET METAL PA.-                 | 1,00 | 09/2013   |         | --    |
| 0015 |   | LAFN08949 |                  | BRACKET -                        | 1,00 |           | 09/2013 | --    |
| 0015 |   | LAFN09280 |                  | SHEET METAL PA.-                 | 1,00 | 09/2013   |         | --    |
| 0016 |   | MPVR05800 |                  | RUBBER BLADE FRONT SQUEEGEE S PU | 1,00 |           |         | --    |
| 0017 |   | VTRS13945 |                  | WASHER D. 6X18 INX UNI 6593      | 4,00 |           |         | --    |
| 0018 |   | KTRI02048 |                  | BODY SQUEEGEE PRESSOFUSO "S"     | 1,00 |           |         | --    |
| 0019 |   | VTVT00841 |                  | SCREW TE M 6X65 UNI 5739 INX     | 2,00 |           |         | --    |
| 0020 |   | VTVT15515 |                  | SCREW TE M 6X 50 INOX A2         | 2,00 |           |         | --    |
| 0021 |   | MPVR05897 |                  | CLOSURE S                        | 2,00 |           |         | --    |
| 0022 |   | MPVR05802 |                  | RUBBER REAR SQUEEGEE S PU        | 1,00 |           |         | --    |
| 0023 |   | LAFN08950 |                  | BRACKET -                        | 1,00 |           | 09/2013 | --    |
| 0023 |   | LAFN09281 |                  | SHEET METAL PA.-                 | 1,00 | 09/2013   |         | --    |
| 0024 |   | LAFN08951 |                  | BRACKET -                        | 1,00 |           | 09/2013 | --    |
| 0024 |   | LAFN09283 |                  | SHEET METAL PA.-                 | 1,00 | 09/2013   |         | --    |
| 0025 |   | LAFN09013 |                  | PLATE -                          | 1,00 |           |         | --    |
| 0026 |   | VTVR00565 |                  | INSERT                           | 2,00 |           |         | --    |
| 0027 |   | VTDD00210 |                  | NUT M 3 AUTOBL.DIN 985 IX.A2     | 8,00 | 09/2013   |         | --    |
| 0028 |   | VTVT01070 |                  | SCREW TSTC M3X8                  | 8,00 | 09/2013   |         | --    |

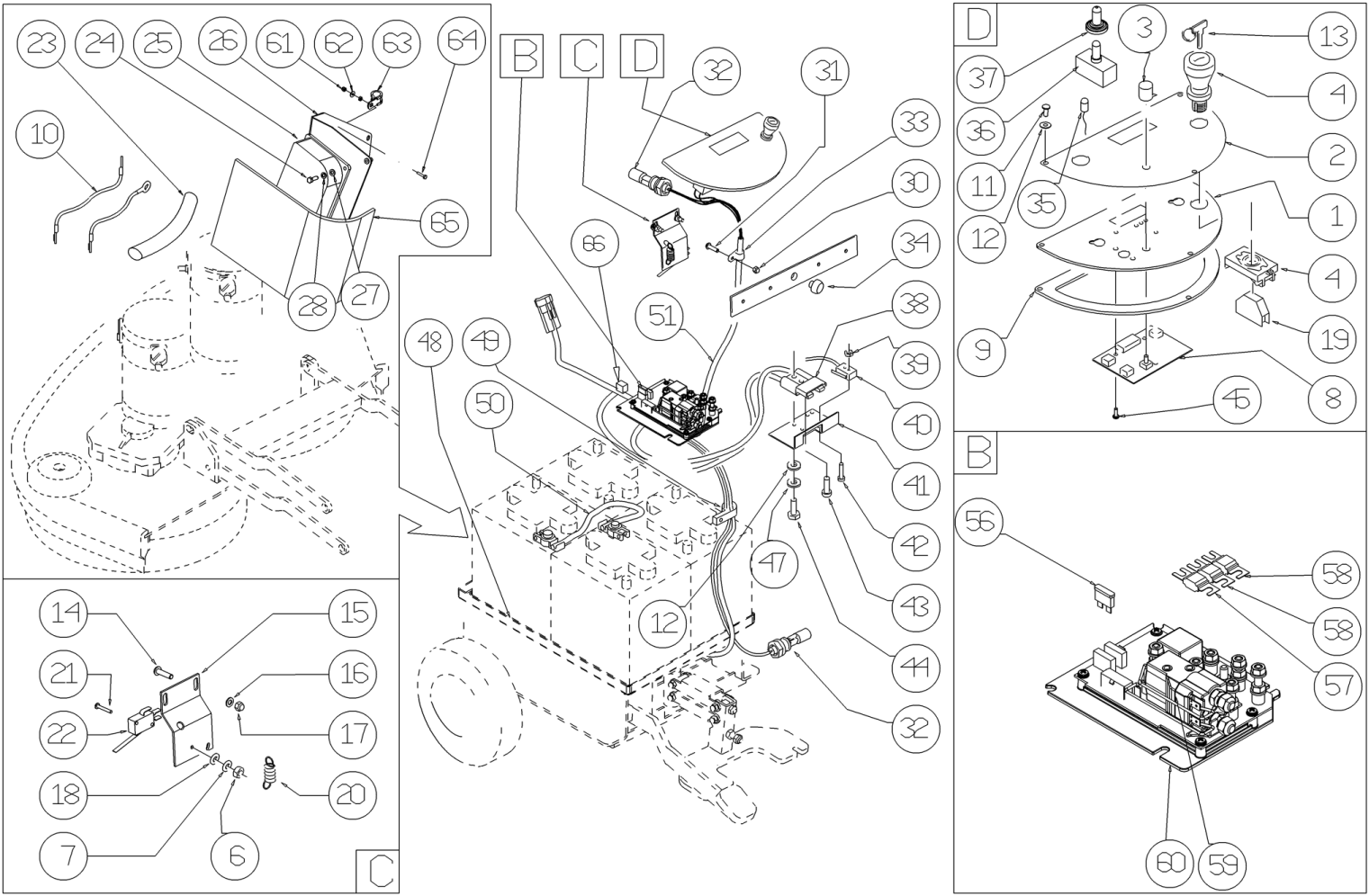




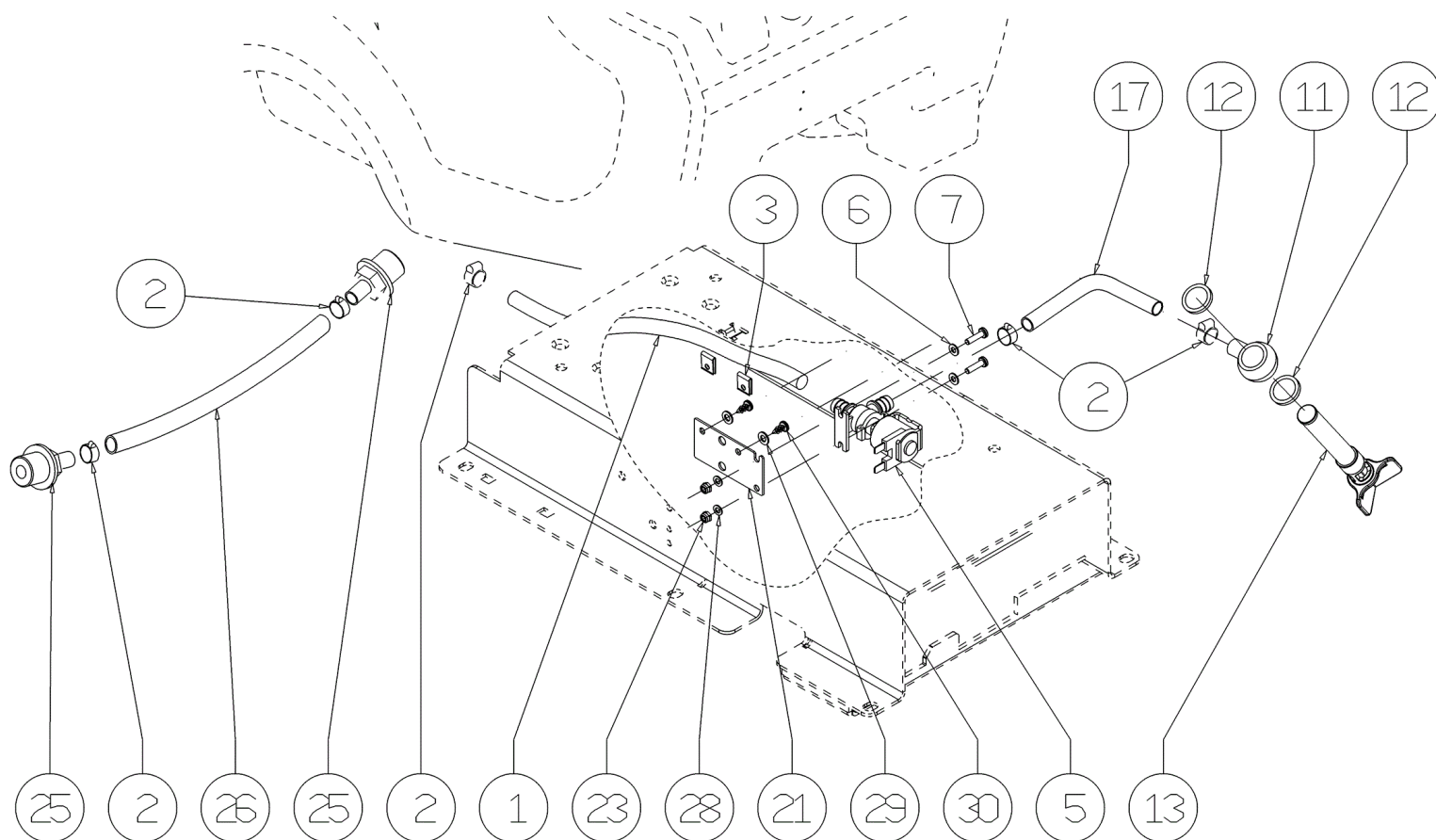
| Ref. | K | Part N.   | Customer Part N. | Description                  | Qty  | Validity: |         | Price |
|------|---|-----------|------------------|------------------------------|------|-----------|---------|-------|
|      |   |           |                  |                              |      | From      | To      |       |
| 0001 |   | MPVR05259 |                  | TUBE SCARICO                 | 1,00 |           |         | --    |
| 0002 |   | LAFN06363 |                  | FLANGE ASPIRATORE            | 1,00 |           |         | --    |
| 0003 |   | MPVR05103 |                  | SOUND-PROOFING ASPIRATORE    | 1,00 |           |         | --    |
| 0005 |   | MPVR04724 |                  | FLANGE IN NYLON              | 1,00 |           |         | --    |
| 0006 |   | MOCC00401 |                  | MOTOR -                      | 1,00 |           | 05/2012 | --    |
| 0006 |   | MOCC00417 |                  | MOTOR VACUUM 24 2-STAGES     | 1,00 | 05/2012   |         | --    |
| 0007 |   | GUGO00272 |                  | GASKET VACUUM MOTOR CT       | 1,00 |           |         | --    |
| 0008 |   | FSVR00099 |                  | CLAMP FERMATUBO              | 1,00 |           |         | --    |
| 0009 |   | VTVT00813 |                  | SCREW M 4X 8 TCB-TC UNI 8112 | 1,00 |           |         | --    |
| 0010 |   | VTRS13945 |                  | WASHER D. 6X18 INX UNI 6593  | 2,00 |           |         | --    |
| 0011 |   | VTRS15144 |                  | WASHER D. 6 INX GRW UNI 1751 | 2,00 |           |         | --    |
| 0012 |   | VTVT15143 |                  | SCREW TE 6X16 UNI5739        | 2,00 |           |         | --    |
| 0013 |   | FSVR00118 |                  | CLAMP D.94                   | 1,00 |           |         | --    |
| 0014 |   | TBFX00312 |                  | TUBE ASPIRAZIONE             | 1,00 |           |         | --    |
| 0015 |   | MEVR01964 |                  | FILTER -                     | 1,00 |           |         | --    |



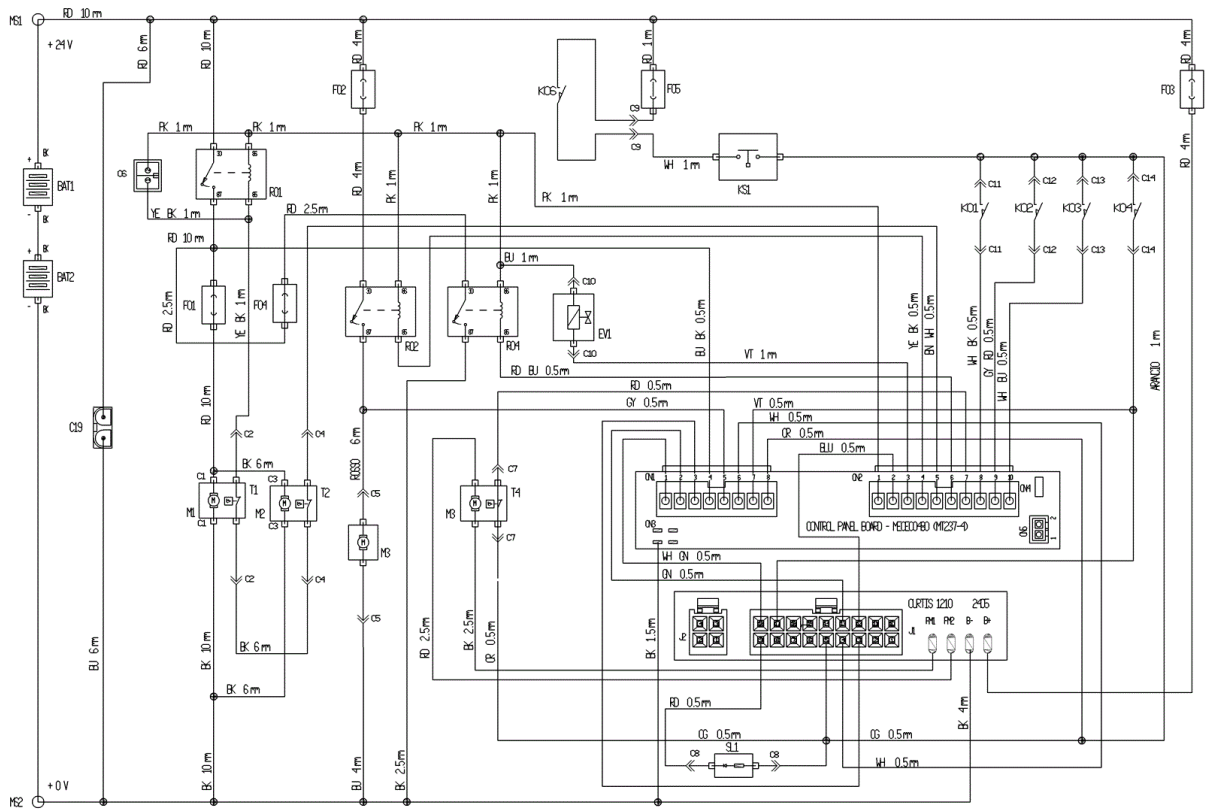
| Ref. | K | Part N.   | Customer Part N. | Description                     | Qty  | Validity:<br>From To | Price |
|------|---|-----------|------------------|---------------------------------|------|----------------------|-------|
| 0001 |   | LAFN08989 |                  | SUPPORT -                       | 1,00 |                      | --    |
| 0002 |   | ETET01717 |                  | LABEL -                         | 1,00 |                      | --    |
| 0003 |   | MEVR01666 |                  | KNOB POTENTIOMETER              | 1,00 |                      | --    |
| 0004 |   | MECI00402 |                  | BUTTON A FUNGO                  | 1,00 |                      | --    |
| 0006 |   | VTDD21115 |                  | NUT M 3 INOX                    | 2,00 |                      | --    |
| 0007 |   | VTRS00268 |                  | WASHER D.3                      | 2,00 |                      | --    |
| 0008 |   | MECE00538 |                  | BOARD                           | 1,00 |                      | --    |
| 0009 |   | GUGO38417 |                  | GASKET PANN.COM.EXTREME         | 1,00 |                      | --    |
| 0011 |   | VTVT37012 |                  | SCREW M 4X 10 TCB-TC INX        | 3,00 |                      | --    |
| 0012 |   | VTRS00515 |                  | WASHER D. 4 INX                 | 3,00 |                      | --    |
| 0013 |   | CHVR00051 |                  | KEYS SET SPARE SCRUBBERS W.B.   | 1,00 |                      | --    |
| 0014 |   | VTVT07725 |                  | SCREW TE 5X16 UNI5739 INX       | 2,00 |                      | --    |
| 0015 |   | LAFN05904 |                  | PLATE MICRO LEVA                | 1,00 |                      | --    |
| 0016 |   | VTRS00516 |                  | WASHER D. 5 INX                 | 2,00 |                      | --    |
| 0017 |   | VTDD01693 |                  | NUT M 5 INX                     | 4,00 |                      | --    |
| 0018 |   | VTRS21116 |                  | WASHER D. 3 INX                 | 2,00 |                      | --    |
| 0019 |   | MECI00403 |                  | CONTACT -                       | 1,00 |                      | --    |
| 0020 |   | MLML34726 |                  | SPRING TR E350 N                | 1,00 |                      | --    |
| 0021 |   | VTVT01316 |                  | SCREW TC+ M3-16                 | 2,00 |                      | --    |
| 0022 |   | MECI36393 |                  | MICROSWITCH TRZ. DRW            | 1,00 |                      | --    |
| 0024 |   | VTVT07725 |                  | SCREW TE 5X16 UNI5739 INX       | 2,00 |                      | --    |
| 0025 |   | MECE00478 |                  | BOARD TRACTION CURTIS 24V 70A   | 1,00 |                      | --    |
| 0026 |   | LAFN07510 |                  | SUPPORT -                       | 1,00 |                      | --    |
| 0027 |   | VTRS00516 |                  | WASHER D. 5 INX                 | 2,00 |                      | --    |
| 0028 |   | VTRS15908 |                  | WASHER D. 5 INX GRW UNI 1751    | 2,00 |                      | --    |
| 0030 |   | VTDD15925 |                  | NUT M 4 INX                     | 1,00 |                      | --    |
| 0031 |   | VTVT00704 |                  | SCREW TE M 4X 16 UNI5739 INOX   | 1,00 |                      | --    |
| 0032 |   | MECI00516 |                  | SENSOR DI LIVELLO ORIZZONTALE   | 2,00 |                      | --    |
| 0033 |   | FSVR00099 |                  | CLAMP FERMATUBO                 | 1,00 |                      | --    |
| 0034 |   | MPVR00043 |                  | CAP CHIUS.FORO PORTAFUS.L 15    | 1,00 |                      | --    |
| 0035 |   | MEVR01974 |                  | LED DIAGNOSTIC CURTIS BOARD     | 1,00 |                      | --    |
| 0036 |   | MECI30499 |                  | SWITCH 10A - 250VAC             | 1,00 |                      | --    |
| 0037 |   | MEVR01975 |                  | RUBBER DEVIATORE                | 1,00 |                      | --    |
| 0038 |   | MEVR01707 |                  | CONNECTOR -                     | 1,00 |                      | --    |
| 0039 |   | VTDD08634 |                  | NUT M2                          | 2,00 |                      | --    |
| 0040 |   | MECI00334 |                  | MICROSWITCH V4                  | 1,00 |                      | --    |
| 0041 |   | LAFN06409 |                  | SUPPORT -                       | 1,00 |                      | --    |
| 0042 |   | VTVT00671 |                  | SCREW TC- M.2-16 OTTONE         | 2,00 |                      | --    |
| 0043 |   | VTVT00872 |                  | SCREW TSP+ 2.9X13 AUTOFIL. INOX | 1,00 |                      | --    |



| Ref. | K | Part N.   | Customer Part N. | Description                   | Qty  | Validity: |    | Price |
|------|---|-----------|------------------|-------------------------------|------|-----------|----|-------|
|      |   |           |                  |                               |      | From      | To |       |
| 0044 |   | VTVT00814 |                  | SCREW TE M.4-25               | 2,00 |           |    | --    |
| 0045 |   | VTVT00722 |                  | SCREW                         | 3,00 |           |    | --    |
| 0047 |   | VTRS15913 |                  | WASHER D. 4 GROVER A2 UNI1751 | 2,00 |           |    | --    |
| 0048 |   | MPVR04985 |                  | FRONT PANEL                   | 1,00 |           |    | --    |
| 0049 |   | FSVR00244 |                  | CLAMP -                       | 1,00 |           |    | --    |
| 0050 |   | MEVR34820 |                  | WIRING B 450 BT               | 3,00 |           |    | --    |
| 0051 |   | MECB01303 |                  | WIRING CT90                   | 1,00 |           |    | --    |
| 0056 |   | MEVR01428 |                  | FUSE A LAMA 2 A. UNIVAL       | 1,00 |           |    | --    |
| 0057 |   | MEVR02061 |                  | FUSE 80A                      | 1,00 |           |    | --    |
| 0058 |   | MEVR02060 |                  | FUSE 40A                      | 2,00 |           |    | --    |
| 0059 |   | METT00085 |                  | CONTACTOR 100A                | 1,00 |           |    | --    |
| 0060 |   | MECE00574 |                  | BOARD CT40-70-90              | 1,00 |           |    | --    |
| 0062 |   | VTRS15144 |                  | WASHER D. 6 INX GRW UNI 1751  | 1,00 |           |    | --    |
| 0063 |   | FSVR00043 |                  | CLAMP d.16                    | 1,00 |           |    | --    |
| 0064 |   | VTVT15906 |                  | SCREW TE 6X 12 A2 UNI 5739    | 1,00 |           |    | --    |
| 0065 |   | MPVR06067 |                  | PROTECTION -                  | 1,00 |           |    | --    |
| 0066 |   | GUGO00463 |                  | MOUSSE 25x15x18               | 1,00 | 05/2015   |    | --    |



| Ref. | K | Part N.   | Customer Part N. | Description                        | Qty  | Validity: |         | Price |
|------|---|-----------|------------------|------------------------------------|------|-----------|---------|-------|
|      |   |           |                  |                                    |      | From      | To      |       |
| 0001 |   | TBFX00308 |                  | TUBE L=580MM                       | 1,00 |           |         | --    |
| 0002 |   | FSVR00428 |                  | CLAMP D. 12-20                     | 5,00 |           |         | --    |
| 0003 |   | MLML00002 |                  | SPRING PRESTOLA DOPPIA 8P          | 2,00 |           |         | --    |
| 0005 |   | MEEV00036 |                  | SOLENOID VALVE HOLE 8mm CLEAN TIME | 1,00 |           |         | --    |
| 0006 |   | VTRS00017 |                  | WASHER ACCIAIO INOX 4X12           | 2,00 |           |         | --    |
| 0007 |   | VTVT21096 |                  | SCREW TE M 4X 10 INX               | 2,00 |           |         | --    |
| 0011 |   | LAFN07783 |                  | CONNECTOR -                        | 1,00 |           |         | --    |
| 0012 |   | VTRS00567 |                  | WASHER 1/2                         | 2,00 |           |         | --    |
| 0013 |   | MPVR05221 |                  | FILTER COMPLETO                    | 1,00 |           | 02/2013 | --    |
| 0013 |   | MPVR06303 |                  | FILTER CT40-70-90                  | 1,00 | 02/2013   |         | --    |
| 0017 |   | TBFX48011 |                  | TUBE FLEX D.12X3 ARMORV.PVC TR     | 0,06 |           |         | --    |
| 0021 |   | LAFN08843 |                  | PLATE -                            | 1,00 |           |         | --    |
| 0023 |   | VTDD00055 |                  | NUT M 4 ATB A2                     | 2,00 |           |         | --    |
| 0025 |   | RCVR00742 |                  | CONNECTOR 3/4" M                   | 2,00 |           |         | --    |
| 0026 |   | TBBP00343 |                  | TUBE L=370                         | 1,00 |           |         | --    |
| 0028 |   | VTRS00017 |                  | WASHER ACCIAIO INOX 4X12           | 2,00 |           |         | --    |
| 0029 |   | VTRS00516 |                  | WASHER D. 5 INX                    | 2,00 |           |         | --    |
| 0030 |   | VTVT48694 |                  | SCREW TCB TC 5 X12 UNI 9707 TZ     | 2,00 |           |         | --    |



|    |           |               |
|----|-----------|---------------|
| BK | BLACK     | NERO          |
| BN | BROWN     | MARRONE       |
| RD | RED       | ROSSO         |
| OG | ORANGE    | ARANCIONE     |
| YE | YELLOW    | GIALLO        |
| GN | GREEN     | VERDE         |
| BL | BLUE      | BLU           |
| VT | VIOLET    | VIOLEA        |
| GV | GREY      | GRIGIO        |
| WH | WHITE     | BIANCO        |
| PK | PINK      | ROSA          |
| TR | TURquoise | VERDE AZZURRO |
| AL | ALUMINUM  | ALUMINIO      |

CONNECTORS: VIEW FROM WIRE SIDE

FLD001832.2

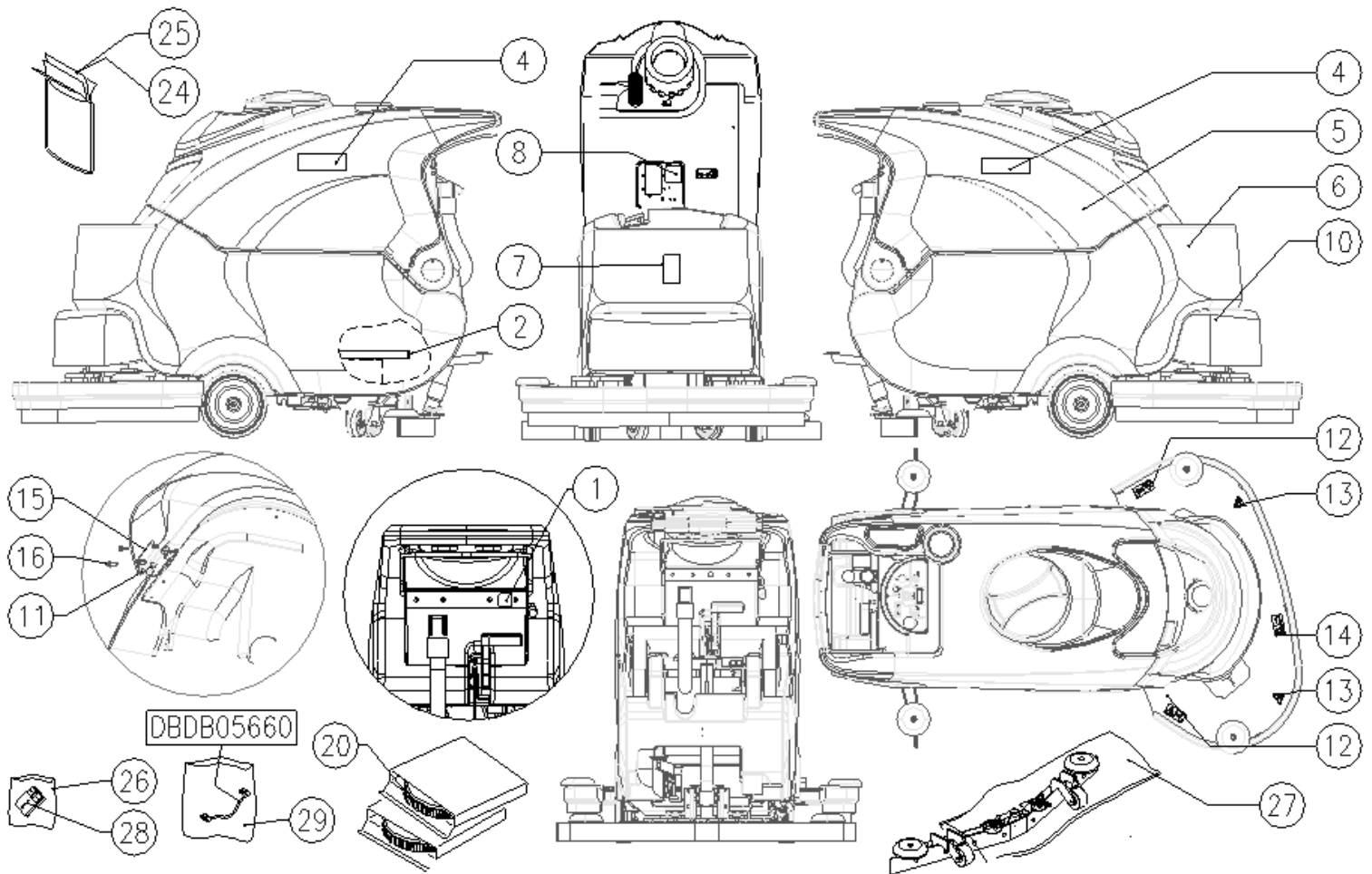
| Ref. | K | Part N.   | Customer Part N. | Description                       | Qty  | Validity: |    | Price |
|------|---|-----------|------------------|-----------------------------------|------|-----------|----|-------|
|      |   |           |                  |                                   |      | From      | To |       |
| EV1  |   | MEEV00036 |                  | SOLENOID VALVE HOLE 8mm CLEANTIME | 1,00 |           |    | --    |
| F01  |   | MEVR02061 |                  | FUSE 80A                          | 1,00 |           |    | --    |
| F03  |   | MEVR02061 |                  | FUSE 80A                          | 1,00 |           |    | --    |
| F04  |   | MEVR02060 |                  | FUSE 40A                          | 1,00 |           |    | --    |
| F05  |   | MEVR01428 |                  | FUSE A LAMA 2 A. UNIVAL           | 1,00 |           |    | --    |

| COMPONENTS |                                     |  |
|------------|-------------------------------------|--|
| F01        | FUSE- BRUSH MOTORS (80 A)           | FUSIBILE SPAZZOLE POTENZA (80 A)       |
| F02        | FUSE-VACUUM MOTOR (40 A)            | FUSIBILE ASPIRATORE POTENZA (40 A)     |
| F03        | FUSE-CURTIS TRACTION MOTORS (80 A)  | FUSIBILE CURTIS MOTORE TRAZIONE (80 A) |
| F04        | FUSE-BRUSHES RELEASE (40 A)         | FUSIBILE SANCIO SPAZZOLE (40 A)        |
| F05        | FUSE CURTIS-CONTROL PANEL (2 A)     | FUSIBILE CURTIS-PLANCIA (2 A)          |
| F06        |                                     |  |
| R01        | RELAY- BRUSH MOTORS                 | TELEBUTTORE SPAZZOLE                   |
| R02        | RELAY- VACUUM MOTOR                 | RELE' ASPIRATORE                       |
| R03        | RELAY- TRACTION MOTOR               | RELE' MOTORE TRAZIONE                  |
| R04        | RELAY- BRUSH RELEASE                | RELE' SANCIO SPAZZOLE                  |
| EV1        | ELECTRO-VALVE                       | ELETTRIVALVOLA ACQUA                   |
| K51        | GENERAL KEY                         | CHIAVE AVVIAMENTO                      |
| K01        | SWITCH- HND LEVER                   | INTERRUTTORE LEVA TRIZIONE             |
| K02        | SWITCH- RECOVERY TANK LEVEL (MAX)   | LIVELLO TROPPO PIENO (N.O.)            |
| K03        | SWITCH- SOLUTION TANK LEVEL ( MIN ) | LIVELLO MINIMO SERBATOIO (N.O.)        |
| K04        | SWITCH- FORWARD / REWARD            | INTERRUTTORE MARCIA AVANTI INDIETRO    |
| K05        |                                     |  |
| K06        | SWITCH- BATTERY RECHARGE SAFETY     | MICRO SICUREZZA RICARICA BATTERIE      |
| M1         | MOTOR- BRUSH 1                      | MOTORE SPAZZOLA -1                     |
| M2         | MOTOR- BRUSH 2                      | MOTORE SPAZZOLA -2                     |
| M3         | MOTOR- VACUUM                       | MOTORE ASPIRATORE                      |
| M4         | MOTOR- TRACTION                     | MOTORE TRAZIONE                        |
| M5         |                                     |  |
| M6         |                                     |  |
| T1         | THERMIC SWITCH- BRUSH MOTOR 1       | TERMICA MOTORE SPAZZOLA -1             |
| T2         | THERMIC SWITCH- BRUSH MOTOR 2       | TERMICA MOTORE SPAZZOLA -2             |
| T4         | THERMIC SWITCH- TRACTION MOTOR      | TERMICA MOTORE TRAZIONE                |
| J1         | CON-CONTROL CURTIS                  | CON-CONTROLLO CURTIS                   |
| J2         |                                     |  |
| J3         |                                     |  |
| PH1        | CON-FASTON MOTORE 1 CURTIS          | CON.FASTON MOTORE 1 CURTIS             |
| PH2        | CON-FASTON MOTORE 2 CURTIS          | CON.FASTON MOTORE 2 CURTIS             |
| B+         | CON-FASTON POSITIVO BATTERIA CURTIS | CON.FASTON POSITIVO BATTERIA CURTIS    |
| B-         | CON-FASTON NEGATIVO BATTERIA CURTIS | CON.FASTON NEGATIVO BATTERIA CURTIS    |
| SL1        | STATUS LED CURTIS                   | STATUS LED CURTIS                      |

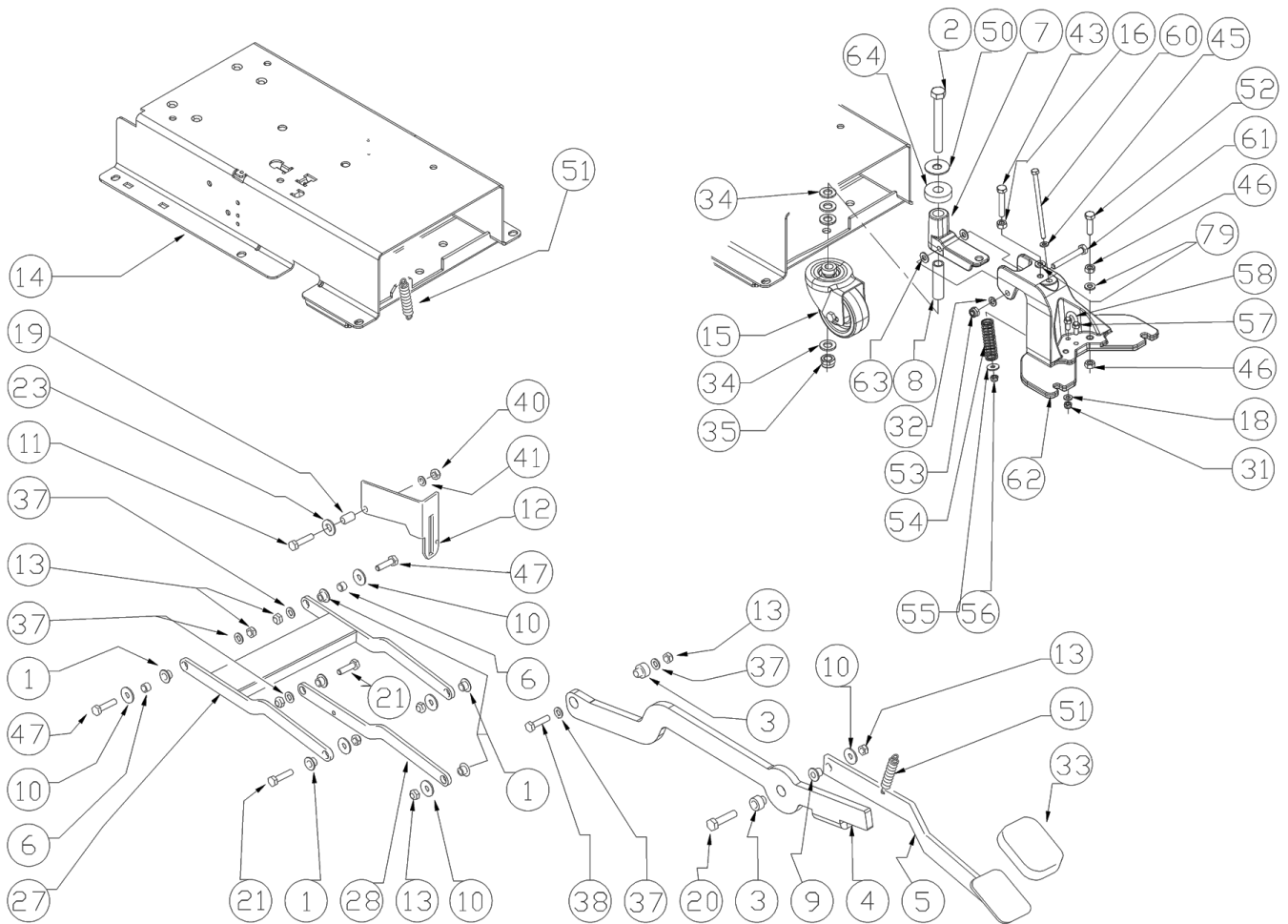
| COMPONENTS |  |                                     |
|------------|--|-------------------------------------|
| M61        | CONNECTOR- BATTERY POSITIVE              | MORSETTO BATTERIA POSITIVO          |
| M62        | CONNECTOR- BATTERY NEGATIVE              | MORSETTO BATTERIA NEGATIVO          |
| C1         | CONNECTOR- BRUSH MOTOR 1                 | CON. MOTORE SPAZZOLA -1             |
| C2         | CONNECTOR- THERMIC SW. BRUSH MOTOR 1     | CON. TERMICA MOTORE SPAZZOLA -1     |
| C3         | CONNECTOR- BRUSH MOTOR 2                 | CON. MOTORE SPAZZOLA -2             |
| C4         | CONNECTOR- THERMIC SW. BRUSH MOTOR 2     | CON. TERMICA MOTORE SPAZZOLA -2     |
| C5         | CONNECTOR- VACUUM MOTOR                  | CON. MOTORE ASPIRATORE              |
| C6         | CONNECTOR- "O-BM COSE" ACCESSORY         | CON. O-BM COS                       |
| C7         | CONNECTOR- THERMIC SWITCH-TRACTION MOTOR | CON. TERMICA MOTORE TRAZIONE        |
| C8         | CONNECTOR- PRESSURE BOARD                | CON. POSITIVO SCHEDA PRESSIONE      |
| C9         | CONNECTOR- BATTERY RECHARGE SAFETY       | CON. SICUREZZA RICARICA BATTERIE    |
| C10        | CONNECTOR- BOARD/ ELECTROVALVE           | CON. E.V. HED DA SCHEDA ELETTRONICA |
| C11        | CONNECTOR- HND LEVER                     | CON. LEVA TRAZIONE                  |
| C12        | CONNECTOR- RECOVERY TANK LEVEL (MAX)     | CON. LIVELLO TROPPO PIENO           |
| C13        | CONNECTOR- SOLUTION TANK LEVEL ( MIN )   | CON. LIVELLO MINIMO                 |
| C14        | CONNECTOR- FORWARD / REWARD              | CON. SELETTORE MARCIA               |
| C15        | CONNECTOR- EXTERNAL BATT. CHARGER        | CON. MICRO C.B. ESTERNO             |
| C16        |  |                                     |
| C17        |  |                                     |
| C18        |  |                                     |
| C19        | CONNECTOR- BATTERY RECHARGE              | SPINA ANDERSON RICARICA BATTERIE    |
| ON1        | CONNECTOR- CONTROL PANEL BOARD           | CON. 1 SCHEDA PLANCIA               |
| ON2        | CONNECTOR- CONTROL PANEL BOARD           | CON. 2 SCHEDA PLANCIA               |
| ON3        | CONNECTOR- CONTROL PANEL BOARD           | CON. 3 SCHEDA PLANCIA               |
| ON4        | CONNECTOR- CONTROL PANEL BOARD           | CON. 4 SCHEDA PLANCIA               |

FLD001832\_2

| Ref. | K | Part N.   | Customer Part N. | Description                       | Qty  | Validity: |    | Price |
|------|---|-----------|------------------|-----------------------------------|------|-----------|----|-------|
|      |   |           |                  |                                   |      | From      | To |       |
| EV1  |   | MEEV00036 |                  | SOLENOID VALVE HOLE 8mm CLEANTIME | 1,00 |           |    | --    |
| F01  |   | MEVR02061 |                  | FUSE 80A                          | 1,00 |           |    | --    |
| F03  |   | MEVR02061 |                  | FUSE 80A                          | 1,00 |           |    | --    |
| F04  |   | MEVR02060 |                  | FUSE 40A                          | 1,00 |           |    | --    |
| F05  |   | MEVR01428 |                  | FUSE A LAMA 2 A. UNIVAL           | 1,00 |           |    | --    |

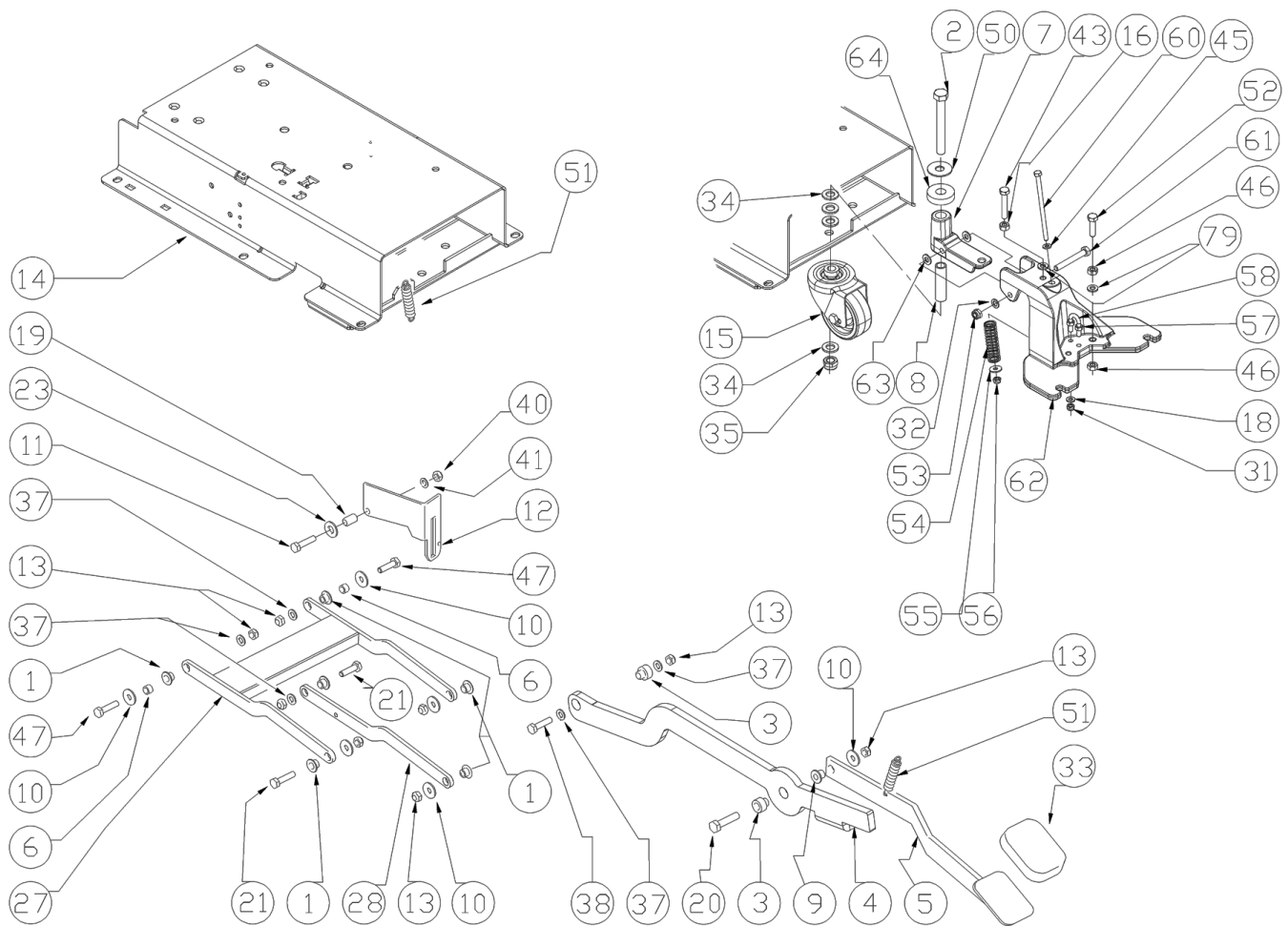


| Ref. | K | Part N.   | Customer Part N. | Description                        | Qty  | Validity: |         | Price |
|------|---|-----------|------------------|------------------------------------|------|-----------|---------|-------|
|      |   |           |                  |                                    |      | From      | To      |       |
| 0001 |   | ETET01447 |                  | LABEL                              | 1,00 |           |         | --    |
| 0002 |   | MPVR04985 |                  | FRONT PANEL                        | 1,00 |           |         | --    |
| 0004 |   | ETET01491 |                  | LABEL LATERALE                     | 2,00 |           |         | --    |
| 0005 |   | MPVR05845 |                  | TANK CT90                          | 1,00 |           |         | --    |
| 0006 |   | MPVR05846 |                  | TANK "SOLUTION CT90"               | 1,00 |           |         | --    |
| 0007 |   | ETET01487 |                  | LABEL -                            | 1,00 |           |         | --    |
| 0008 |   | ETET00763 |                  | LABEL SIMBOLO FUSIBILI             | 1,00 |           |         | --    |
| 0010 |   | MPVR04984 |                  | FRONT PANEL                        | 1,00 |           |         | --    |
| 0011 |   | VTVT07521 |                  | SCREW TCB 5X10                     | 4,00 |           |         | --    |
| 0012 |   | ETET00906 |                  | ADHESIVE SIMBOLO PERICOLO DI ABRAS | 2,00 |           |         | --    |
| 0013 |   | ETET00897 |                  | ADHESIVE SIMBOLO PERICOLO          | 2,00 |           |         | --    |
| 0014 |   | ETET00898 |                  | ADHESIVE SIMBOLO SCHIACCIAMENTO    | 1,00 |           |         | --    |
| 0015 |   | LAFN07247 |                  | BRACKET CT90                       | 2,00 |           |         | --    |
| 0016 |   | VTVT15961 |                  | SCREW M 5X 16 TCB TC UNI 7687      | 4,00 |           |         | --    |
| 0020 |   | SPPV00428 |                  | BRUSH NYLON D310                   | 2,00 |           | 06/2016 | --    |
| 0020 |   | SPPV01473 |                  | BRUSH APC D.310 NYLON              | 2,00 | 06/2016   |         | --    |
| 0024 |   | PLDC01602 |                  | INSTR.MANUAL 40-70-90              | 1,00 |           |         | --    |
| 0025 |   | PLDC01450 |                  | MANUAL RIC. CLT40                  | 1,00 |           |         | --    |
| 0026 |   | MIVR00072 |                  | ENVELOPE PLASTICA TRASP.           | 1,00 |           |         | --    |
| 0027 |   | MIVR00048 |                  | TUBE UNIBOL                        | 1,00 |           |         | --    |
| 0028 |   | MEVR01079 |                  | PLUG M CB50 A 600V RD.             | 1,00 |           |         | --    |
| 0029 |   | MIVR00064 |                  | ENVELOPE PORTA CABLAGGI            | 1,00 |           |         | --    |

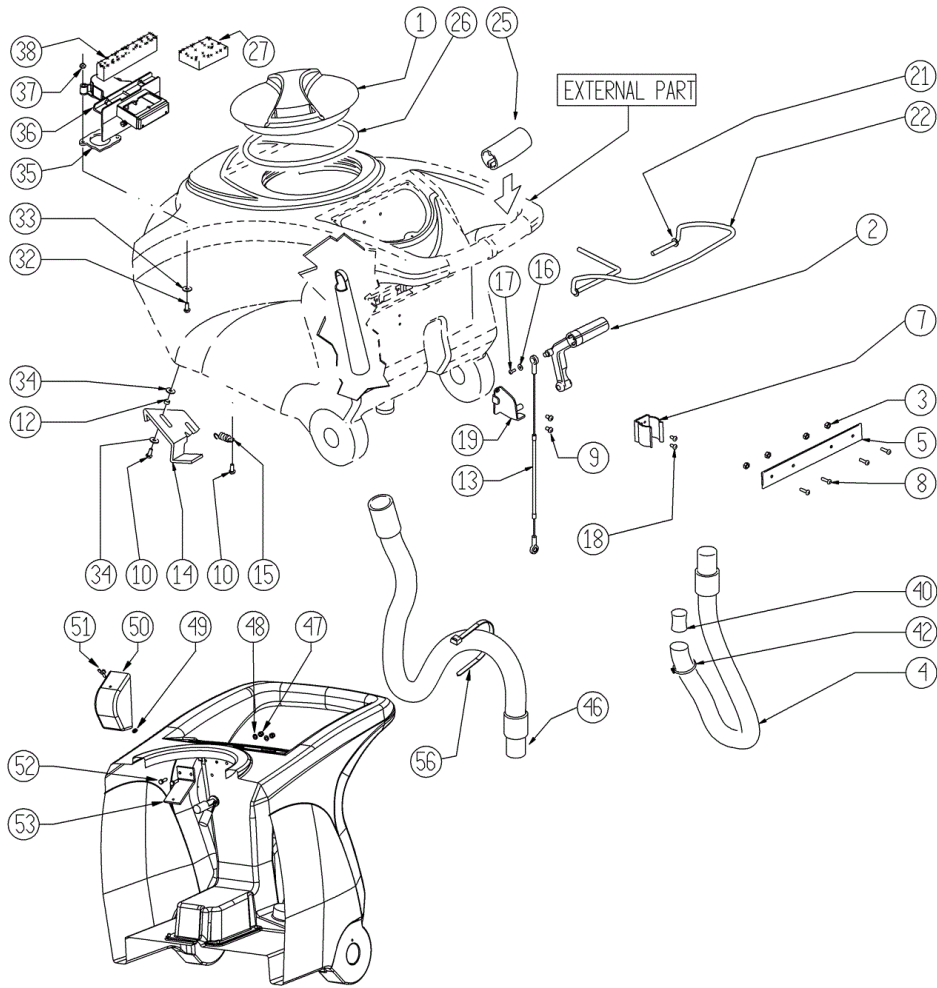


| Ref. | K | Part N.   | Customer Part N. | Description                     | Qty  | Validity:<br>From | To | Price |
|------|---|-----------|------------------|---------------------------------|------|-------------------|----|-------|
| 0001 |   | LAFN06391 |                  | BUSHING PARALLELOGRAMMA         | 6,00 |                   |    | --    |
| 0002 |   | VTVT24212 |                  | SCREW TE M 12X100 UNI 5737 INOX | 1,00 |                   |    | --    |
| 0003 |   | LAFN04190 |                  | BUSHING PARALLELOGR.TEST.GR.    | 2,00 |                   |    | --    |
| 0004 |   | LAFN07593 |                  | BRACKET LIFTING BRUSH HEAD      | 1,00 |                   |    | --    |
| 0005 |   | LAFN09269 |                  | LEVER 90                        | 1,00 |                   |    | --    |
| 0006 |   | RCDS34717 |                  | BUSHING D. 9X12X 8.3            | 2,00 |                   |    | --    |
| 0007 |   | MFVR00226 |                  | SUPPORT SQUEEGEE                | 1,00 |                   |    | --    |
| 0008 |   | LAFN09006 |                  | PIN -                           | 1,00 |                   |    | --    |
| 0009 |   | LAFN51068 |                  | BUSHING LEVA POSTER.            | 1,00 |                   |    | --    |
| 0010 |   | VTRS13946 |                  | WASHER D. 8 X24 INX UNI 6593    | 6,00 |                   |    | --    |
| 0011 |   | VTVT00161 |                  | SCREW TE M6X20                  | 1,00 |                   |    | --    |
| 0012 |   | LAFN10124 |                  | PLATE                           | 1,00 |                   |    | --    |
| 0013 |   | VTDD01695 |                  | NUT M 8 INX                     | 7,00 |                   |    | --    |
| 0014 |   | LAFN06422 |                  | FRAME -                         | 1,00 |                   |    | --    |
| 0015 |   | RTRT00395 |                  | WHEEL CASTOR D.80X25 PU         | 2,00 |                   |    | --    |
| 0016 |   | VTDD15521 |                  | NUT M 8 INX A2 UNI 5588         | 1,00 |                   |    | --    |
| 0018 |   | VTRS00245 |                  | WASHER D.6 UNI 6592 INOX        | 1,00 |                   |    | --    |
| 0019 |   | LAFN03840 |                  | BUSHING                         | 1,00 |                   |    | --    |
| 0020 |   | VTVT15917 |                  | SCREW TE M 8X50 INOX A2 UNI     | 1,00 |                   |    | --    |
| 0021 |   | VTVT15907 |                  | SCREW TE 8X25 UNI5739 INX       | 4,00 |                   |    | --    |
| 0023 |   | VTRS00274 |                  | WASHER NYLON 66 D.8,4-17-2 UNI  | 1,00 |                   |    | --    |
| 0027 |   | LAFN07563 |                  | ARM -                           | 1,00 |                   |    | --    |
| 0028 |   | LAFN06389 |                  | ARM PARALLELOGRAMMA             | 1,00 |                   |    | --    |
| 0031 |   | VTDD01694 |                  | NUT M6 INOX                     | 1,00 |                   |    | --    |
| 0032 |   | VTRS13947 |                  | WASHER D. 8 INX UNI 6592        | 1,00 |                   |    | --    |
| 0033 |   | MPVR05186 |                  | COVERING -                      | 1,00 |                   |    | --    |
| 0034 |   | VTRS15978 |                  | WASHER D.12X24 UNI 6592 INX     | 4,00 |                   |    | --    |
| 0035 |   | VTDD00176 |                  | NUT M.12 INOX A2 BASSO AUTOB.   | 3,00 |                   |    | --    |
| 0037 |   | VTRS13947 |                  | WASHER D. 8 INX UNI 6592        | 4,00 |                   |    | --    |
| 0038 |   | VTVT00429 |                  | SCREW TE M 8X 40 INX UNI 5737   | 1,00 |                   |    | --    |
| 0040 |   | VTDD01694 |                  | NUT M6 INOX                     | 5,00 |                   |    | --    |
| 0041 |   | VTRS00245 |                  | WASHER D.6 UNI 6592 INOX        | 1,00 |                   |    | --    |
| 0043 |   | VTVT15371 |                  | SCREW TE M 8X45 INOX A2 UNI     | 1,00 |                   |    | --    |
| 0045 |   | VTRS00245 |                  | WASHER D.6 UNI 6592 INOX        | 1,00 |                   |    | --    |
| 0046 |   | VTDD15521 |                  | NUT M 8 INX A2 UNI 5588         | 1,00 |                   |    | --    |
| 0047 |   | VTVT13937 |                  | SCREW TE M 8X 30 INX UNI 5739   | 2,00 |                   |    | --    |
| 0050 |   | VTRS09142 |                  | WASHER D.12 X 36                | 1,00 |                   |    | --    |
| 0051 |   | MLML00303 |                  | SPRING REGISTRAZIONE FLAP       | 2,00 |                   |    | --    |
| 0052 |   | VTVT13937 |                  | SCREW TE M 8X 30 INX UNI 5739   | 1,00 |                   |    | --    |

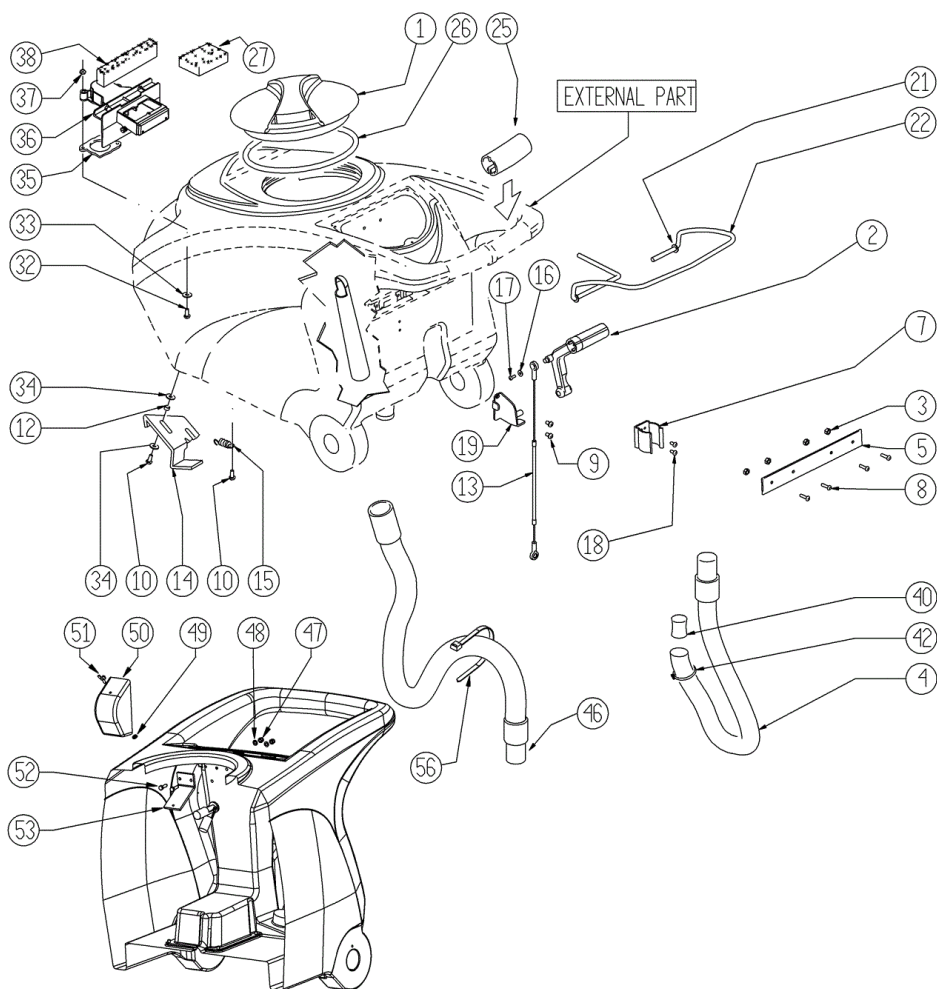




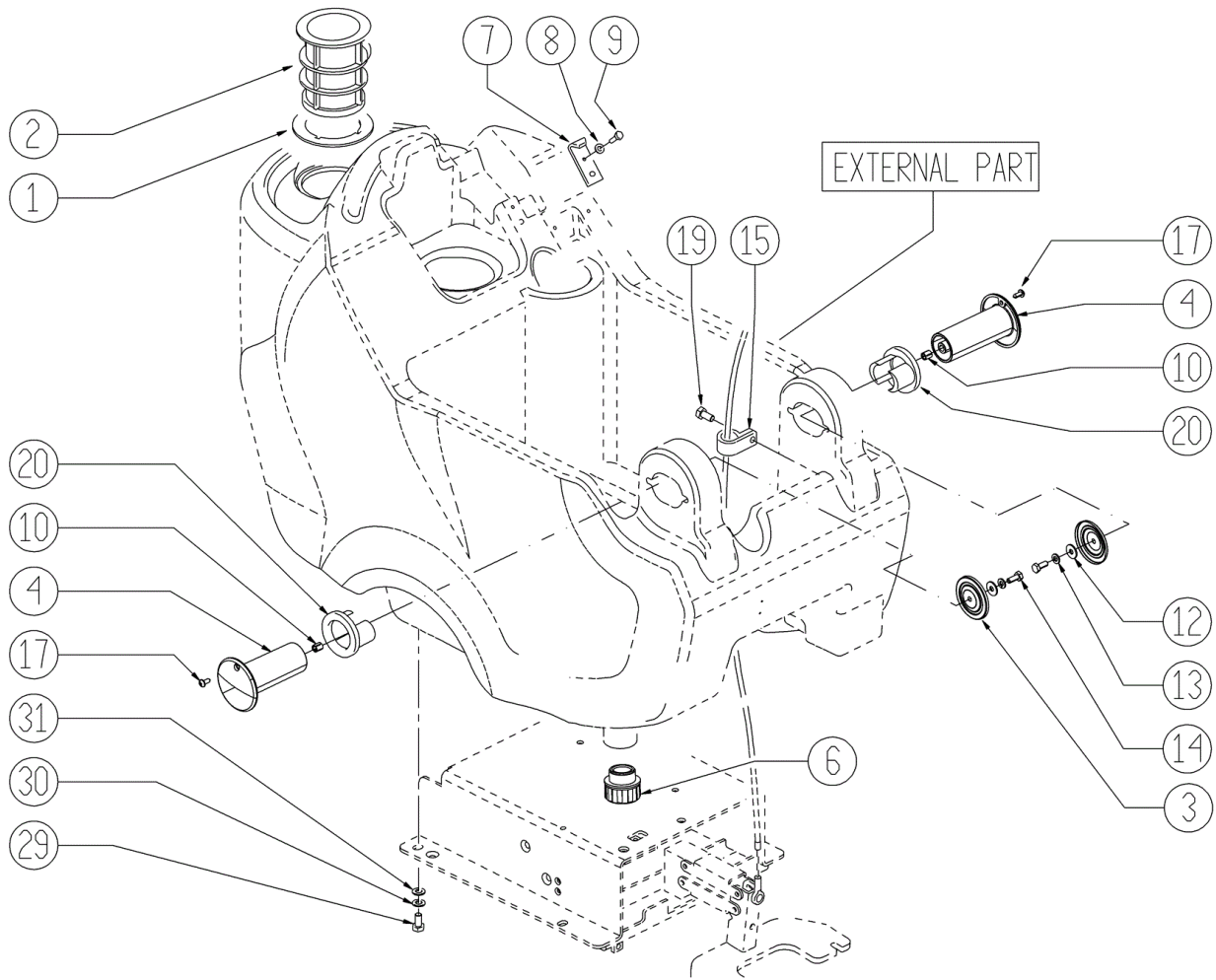
| Ref. | K | Part N.   | Customer Part N. | Description                    | Qty  | Validity: |    | Price |
|------|---|-----------|------------------|--------------------------------|------|-----------|----|-------|
|      |   |           |                  |                                |      | From      | To |       |
| 0053 |   | VTDD01695 |                  | NUT M 8 INX                    | 1,00 |           |    | --    |
| 0054 |   | MLML00338 |                  | SPRING -                       | 1,00 |           |    | --    |
| 0055 |   | VTRS13945 |                  | WASHER D. 6X18 INX UNI 6593    | 1,00 |           |    | --    |
| 0056 |   | VTDD01694 |                  | NUT M6 INOX                    | 1,00 |           |    | --    |
| 0057 |   | VTDD00053 |                  | NUT M6 INOX UNI5589            | 1,00 |           |    | --    |
| 0058 |   | LAFN09231 |                  | BRACKET M6X11X29               | 1,00 |           |    | --    |
| 0060 |   | VTVT01008 |                  | SCREW 6X110                    | 1,00 |           |    | --    |
| 0061 |   | VTVT01009 |                  | SCREW 8X60                     | 1,00 |           |    | --    |
| 0062 |   | MFVR00227 |                  | SUPPORT SQUEEGEE               | 1,00 |           |    | --    |
| 0063 |   | VTRS00274 |                  | WASHER NYLON 66 D.8,4-17-2 UNI | 1,00 |           |    | --    |
| 0064 |   | MPVR06069 |                  | WASHER 15X40                   | 1,00 |           |    | --    |
| 0079 |   | VTRS15146 |                  | WASHER D. 8 INX GRW UNI 1751   | 2,00 |           |    | --    |



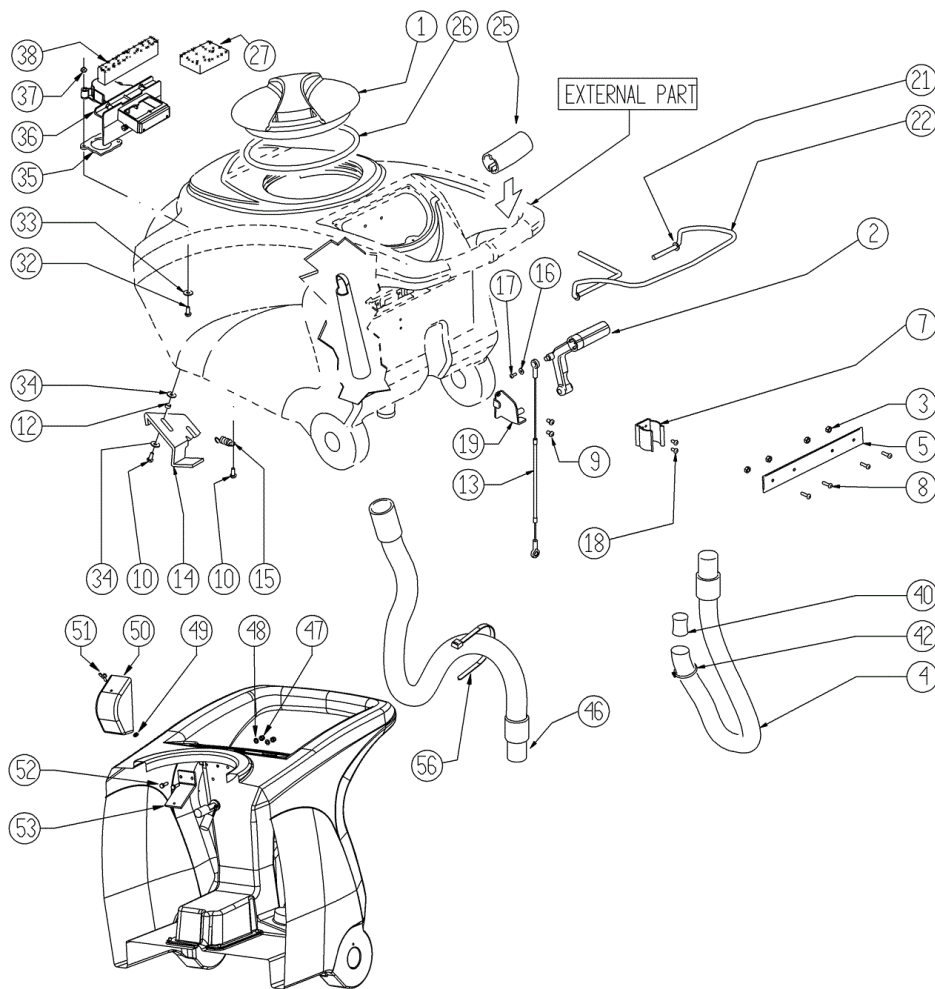
| Ref. K | Part N.   | Customer Part N. | Description                     | Qty  | Validity: |    | Price |
|--------|-----------|------------------|---------------------------------|------|-----------|----|-------|
|        |           |                  |                                 |      | From      | To |       |
| 0001   | MPVR04051 |                  | TANK CAP                        | 1,00 |           |    | --    |
| 0002   | MPVR49942 |                  | LEVER SQUEEGEE LIFTING PP       | 1,00 |           |    | --    |
| 0003   | VTDD15518 |                  | NUT M 6 INX                     | 4,00 |           |    | --    |
| 0004   | TBFX00358 |                  | TUBE PU CT40/70/90              | 1,00 |           |    | --    |
| 0005   | LAFN05865 |                  | PLATE COPRILEVA CONSENSO        | 1,00 |           |    | --    |
| 0007   | MPVR46988 |                  | CLIP LAV. SHK                   | 1,00 |           |    | --    |
| 0008   | VTVT00651 |                  | SCREW TBEI M. 5x16 INOX         | 4,00 |           |    | --    |
| 0009   | VTVT15906 |                  | SCREW TE 6X 12 A2 UNI 5739      | 2,00 |           |    | --    |
| 0010   | VTVT15143 |                  | SCREW TE 6X16 UNI5739           | 3,00 |           |    | --    |
| 0012   | LAFN03626 |                  | SPACER                          | 2,00 |           |    | --    |
| 0013   | CMCV00464 |                  | CABLE SOLLEVAMENTO TERGI        | 1,00 |           |    | --    |
| 0014   | LAFN06849 |                  | HANDLE CT 70                    | 1,00 |           |    | --    |
| 0015   | MLML00203 |                  | SPRING                          | 1,00 |           |    | --    |
| 0016   | VTRS00251 |                  | WASHER 4-16 INOX A2             | 1,00 |           |    | --    |
| 0017   | VTVT00800 |                  | SCREW TC 4X12 ZN                | 1,00 |           |    | --    |
| 0018   | VTVT21096 |                  | SCREW TE M 4X 10 INX            | 2,00 |           |    | --    |
| 0019   | LAFN05870 |                  | BRACKET LEVA SOLLEVAM. SQUEEGEE | 1,00 |           |    | --    |
| 0021   | VTRS13947 |                  | WASHER D. 8 INX UNI 6592        | 2,00 |           |    | --    |
| 0022   | LAFN05861 |                  | LEVER CONSENSO SPAZZOLE         | 1,00 |           |    | --    |
| 0025   | MPVR05215 |                  | KNOB -                          | 2,00 |           |    | --    |
| 0026   | GUGO00263 |                  | GASKET CIRCOLARE TAPPO          | 1,00 |           |    | --    |
| 0027   | FTDP00133 |                  | FILTER VACUUM MOTOR             | 1,00 |           |    | --    |
| 0032   | VTVT01139 |                  | SCREW TE M.4-25                 | 2,00 |           |    | --    |
| 0033   | VTRS00515 |                  | WASHER D. 4 INX                 | 2,00 |           |    | --    |
| 0034   | VTRS00274 |                  | WASHER NYLON 66 D.8,4-17-2 UNI  | 4,00 |           |    | --    |
| 0035   | GUGO00417 |                  | GASKET SCATOLA ASPIRAZIONE      | 1,00 |           |    | --    |
| 0036   | MPVR05482 |                  | BOX -                           | 1,00 |           |    | --    |
| 0037   | VTDD15925 |                  | NUT M 4 INX                     | 2,00 |           |    | --    |
| 0038   | GUGO00418 |                  | GASKET CONDOTTO ASPIRAZIONE     | 1,00 |           |    | --    |
| 0040   | GUGO00245 |                  | GASKET                          | 1,00 |           |    | --    |
| 0042   | FSVR43136 |                  | CLAMP D. 35-40 DF.              | 1,00 |           |    | --    |
| 0046   | KTRI04696 |                  | KIT REPLACEMENT TBFX00353       | 1,00 |           |    | --    |
| 0047   | VTDD01693 |                  | NUT M 5 INX                     | 2,00 |           |    | --    |
| 0048   | VTRS00516 |                  | WASHER D. 5 INX                 | 2,00 |           |    | --    |
| 0049   | VTVR01038 |                  | WASHER -                        | 1,00 |           |    | --    |
| 0050   | MPVR05596 |                  | PROTECTION -                    | 1,00 |           |    | --    |
| 0051   | VTVT01150 |                  | SCREW 4x10                      | 1,00 |           |    | --    |
| 0052   | VTVT07725 |                  | SCREW TE 5X16 UNI5739 INX       | 2,00 |           |    | --    |
| 0053   | LAFN07631 |                  | BRACKET -                       | 1,00 |           |    | --    |



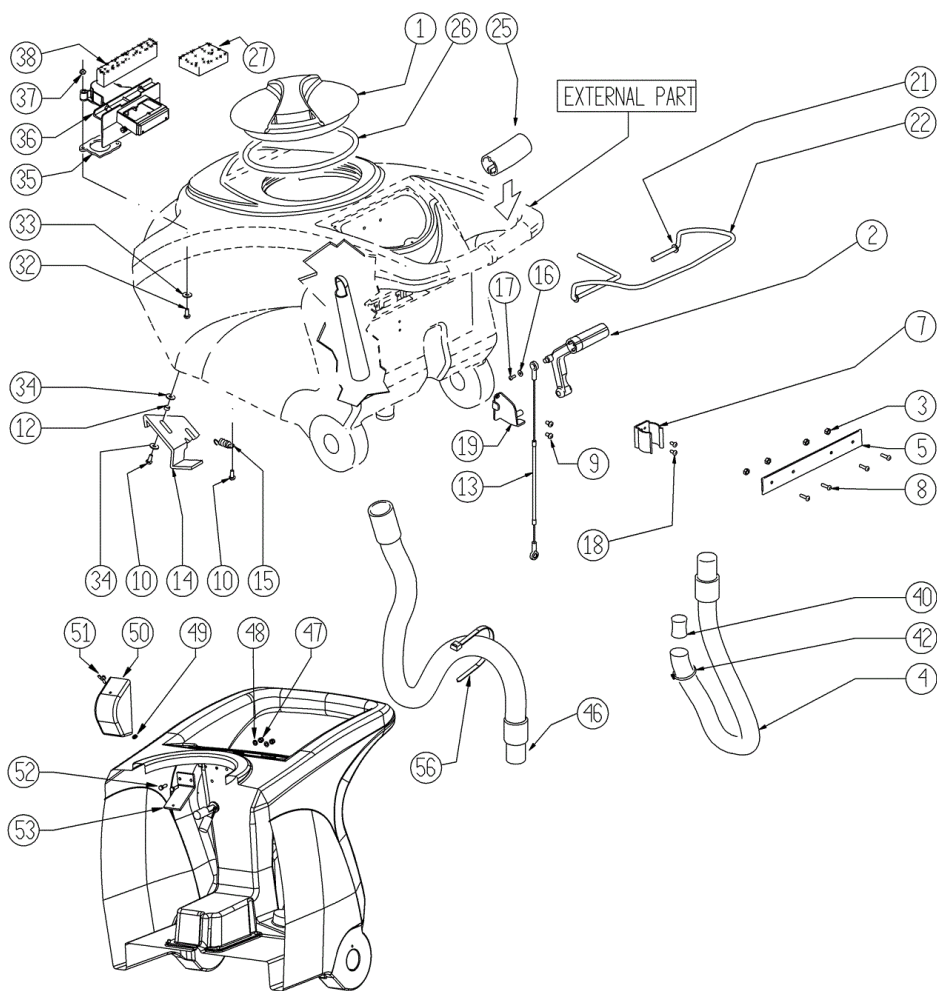
| Ref. K | Part N.   | Customer Part N. | Description | Qty  | Validity: |    | Price |
|--------|-----------|------------------|-------------|------|-----------|----|-------|
|        |           |                  |             |      | From      | To |       |
| 0056   | FSVR00248 |                  | CLAMP -     | 1,00 |           |    | --    |



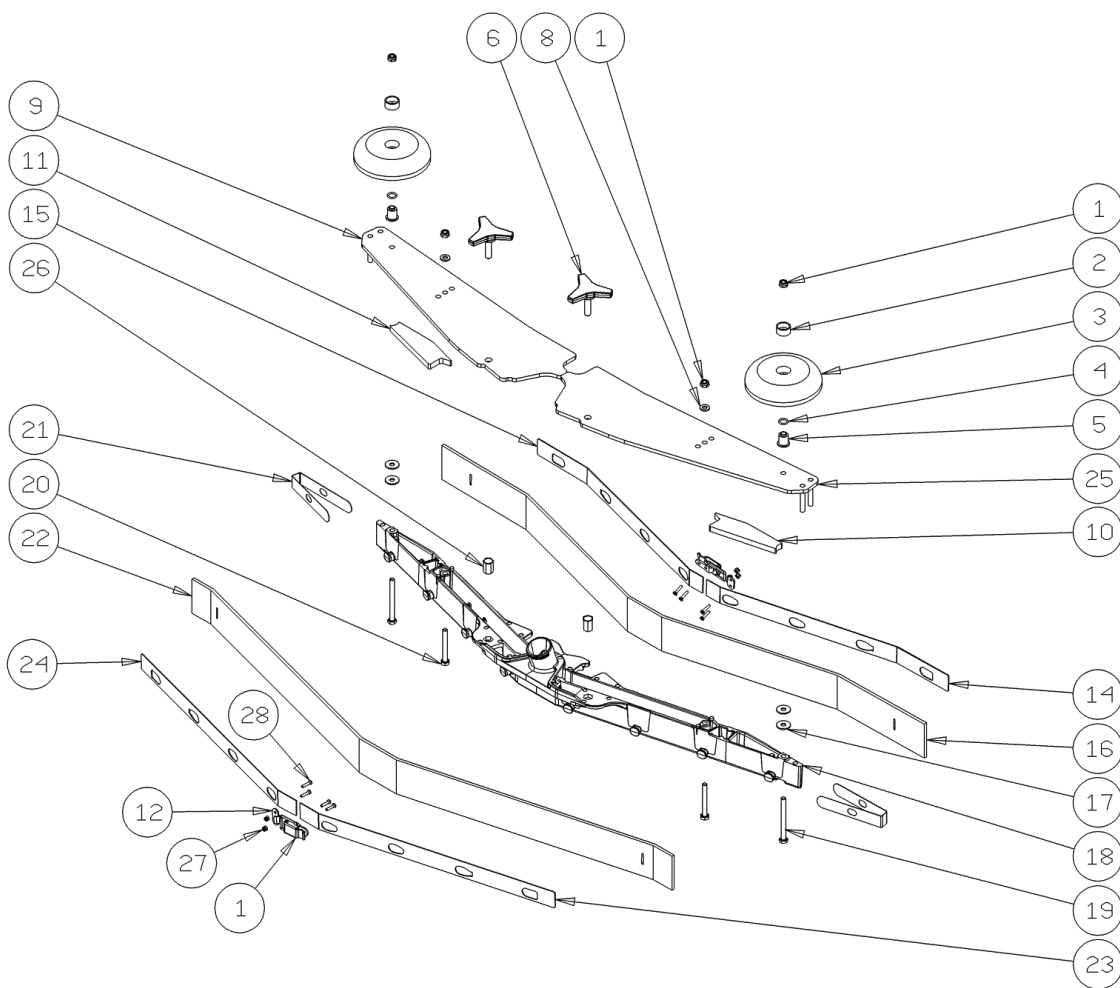
| Ref. K | Part N.   | Customer Part N. | Description                    | Qty  | Validity: |         | Price |
|--------|-----------|------------------|--------------------------------|------|-----------|---------|-------|
|        |           |                  |                                |      | From      | To      |       |
| 0001   | GUGO00267 |                  | GASKET - FILTRO                | 1,00 |           |         | --    |
| 0002   | FTAC00040 |                  | FILTER -                       | 1,00 |           |         | --    |
| 0003   | LAFN07800 |                  | SHEET METAL PA.-               | 2,00 |           |         | --    |
| 0004   | MPVR06407 |                  | PIN -                          | 2,00 | 09/2014   |         | --    |
| 0004   | MPVR48695 |                  | PIN SHK.BK                     | 2,00 |           | 09/2014 | --    |
| 0006   | MPVR08003 |                  | CAP                            | 1,00 |           | 12/2016 | --    |
| 0006   | MPVR10774 |                  | CAP 1/2"                       | 1,00 | 12/2016   |         | --    |
| 0007   | LAFN06489 |                  | PLATE                          | 1,00 |           |         | --    |
| 0008   | VTRS15144 |                  | WASHER D. 6 INX GRW UNI 1751   | 1,00 |           |         | --    |
| 0009   | VTVT01303 |                  | SCREW TE M6-10 INOX            | 1,00 |           |         | --    |
| 0010   | VTVR48693 |                  | INSERT M6 D.9                  | 2,00 |           |         | --    |
| 0012   | VTRS13945 |                  | WASHER D. 6X18 INX UNI 6593    | 2,00 |           |         | --    |
| 0013   | VTRS15144 |                  | WASHER D. 6 INX GRW UNI 1751   | 2,00 |           |         | --    |
| 0014   | VTVT15143 |                  | SCREW TE 6X16 UNI5739          | 2,00 |           |         | --    |
| 0015   | MPVR02933 |                  | DUCT LOCK D.9,5                | 2,00 |           |         | --    |
| 0017   | VTVT48694 |                  | SCREW TCB TC 5 X12 UNI 9707 TZ | 2,00 |           | 09/2014 | --    |
| 0019   | VTVT15961 |                  | SCREW M 5X 16 TCB TC UNI 7687  | 1,00 |           |         | --    |
| 0020   | PMVR02028 |                  | RUBBER GRUPPO MONTAGGIO        | 2,00 |           |         | --    |
| 0029   | VTVT15916 |                  | SCREW TE M 8X 16 UNI 5739 A2   | 4,00 |           |         | --    |
| 0030   | VTRS00269 |                  | WASHER D. 8 DIN 6798-A INX A2  | 4,00 |           |         | --    |
| 0031   | VTRS13947 |                  | WASHER D. 8 INX UNI 6592       | 4,00 |           |         | --    |



| Ref. | K | Part N.   | Customer Part N. | Description                     | Qty  | Validity: |         | Price |
|------|---|-----------|------------------|---------------------------------|------|-----------|---------|-------|
|      |   |           |                  |                                 |      | From      | To      |       |
| 0001 |   | MPVR04051 |                  | TANK CAP                        | 1,00 |           |         | --    |
| 0002 |   | MPVR49942 |                  | LEVER SQUEEGEE LIFTING PP       | 1,00 |           |         | --    |
| 0003 |   | VTDD15518 |                  | NUT M 6 INX                     | 4,00 |           |         | --    |
| 0004 |   | TBFX00348 |                  | TUBE CT40-70-90 HOSE DRAIN      | 1,00 |           | 04/2013 | --    |
| 0004 |   | TBFX00358 |                  | TUBE PU CT40/70/90              | 1,00 | 04/2013   |         | --    |
| 0005 |   | LAFN05865 |                  | PLATE COPRILEVA CONSENSO        | 1,00 |           |         | --    |
| 0007 |   | MPVR46988 |                  | CLIP LAV. SHK                   | 1,00 |           |         | --    |
| 0008 |   | VTVT00651 |                  | SCREW TBEI M. 5x16 INOX         | 4,00 |           |         | --    |
| 0009 |   | VTVT15906 |                  | SCREW TE 6X 12 A2 UNI 5739      | 2,00 |           |         | --    |
| 0010 |   | VTVT15143 |                  | SCREW TE 6X16 UNI5739           | 3,00 |           |         | --    |
| 0012 |   | LAFN03626 |                  | SPACER                          | 2,00 |           |         | --    |
| 0013 |   | CMCV00361 |                  | CABLE CABLE LIFTING SQUEEGEE HD | 1,00 |           |         | --    |
| 0014 |   | LAFN06849 |                  | HANDLE CT 70                    | 1,00 |           |         | --    |
| 0015 |   | MLML00203 |                  | SPRING                          | 1,00 |           |         | --    |
| 0016 |   | VTRS00251 |                  | WASHER 4-16 INOX A2             | 1,00 |           |         | --    |
| 0017 |   | VTVT00800 |                  | SCREW TC 4X12 ZN                | 1,00 |           |         | --    |
| 0018 |   | VTVT21096 |                  | SCREW TE M 4X 10 INX            | 2,00 |           |         | --    |
| 0019 |   | LAFN05870 |                  | BRACKET LEVA SOLLEVAM. SQUEEGEE | 1,00 |           | 09/2016 | --    |
| 0019 |   | LAFN11019 |                  | BRACKET -                       | 1,00 | 09/2016   |         | --    |
| 0021 |   | VTRS13947 |                  | WASHER D. 8 INX UNI 6592        | 2,00 |           |         | --    |
| 0022 |   | LAFN05861 |                  | LEVER CONSENSO SPAZZOLE         | 1,00 |           | 06/2014 | --    |
| 0022 |   | LAFN09339 |                  | LEVER -                         | 1,00 | 06/2014   |         | --    |
| 0025 |   | MPVR05215 |                  | KNOB -                          | 2,00 |           |         | --    |
| 0026 |   | GUGO00263 |                  | GASKET CIRCOLARE TAPPO          | 1,00 |           |         | --    |
| 0027 |   | FTDP00133 |                  | FILTER VACUUM MOTOR             | 1,00 |           |         | --    |
| 0032 |   | VTVT01139 |                  | SCREW TE M.4-25                 | 2,00 |           |         | --    |
| 0033 |   | VTRS00515 |                  | WASHER D. 4 INX                 | 2,00 |           |         | --    |
| 0034 |   | VTRS00274 |                  | WASHER NYLON 66 D.8,4-17-2 UNI  | 4,00 |           |         | --    |
| 0035 |   | GUGO00417 |                  | GASKET SCATOLA ASPIRAZIONE      | 1,00 |           |         | --    |
| 0036 |   | MPVR05482 |                  | BOX -                           | 1,00 |           |         | --    |
| 0037 |   | VTDD15925 |                  | NUT M 4 INX                     | 2,00 |           |         | --    |
| 0038 |   | GUGO00418 |                  | GASKET CONDOTTO ASPIRAZIONE     | 1,00 |           |         | --    |
| 0040 |   | GUGO00245 |                  | GASKET                          | 1,00 |           |         | --    |
| 0042 |   | FSVR43136 |                  | CLAMP D. 35-40 DF.              | 1,00 |           |         | --    |
| 0046 |   | KTRIO4696 |                  | KIT REPLACEMENT TBFX00353       | 1,00 |           |         | --    |
| 0047 |   | VTDD01693 |                  | NUT M 5 INX                     | 2,00 |           |         | --    |
| 0048 |   | VTRS00516 |                  | WASHER D. 5 INX                 | 2,00 |           |         | --    |
| 0049 |   | VTVR01038 |                  | WASHER -                        | 1,00 |           |         | --    |
| 0050 |   | MPVR05596 |                  | PROTECTION -                    | 1,00 |           |         | --    |



| Ref. | K | Part N.   | Customer Part N. | Description               | Qty  | Validity: |    | Price |
|------|---|-----------|------------------|---------------------------|------|-----------|----|-------|
|      |   |           |                  |                           |      | From      | To |       |
| 0051 |   | VTVT01150 |                  | SCREW 4x10                | 1,00 |           |    | --    |
| 0052 |   | VTVT07725 |                  | SCREW TE 5X16 UNI5739 INX | 2,00 |           |    | --    |
| 0053 |   | LAFN07631 |                  | BRACKET -                 | 1,00 |           |    | --    |
| 0056 |   | FSVR00248 |                  | CLAMP -                   | 1,00 |           |    | --    |



| Ref. | K | Part N.   | Customer Part N. | Description                  | Qty  | Validity: |         | Price |
|------|---|-----------|------------------|------------------------------|------|-----------|---------|-------|
|      |   |           |                  |                              |      | From      | To      |       |
| 0001 |   | LAFN09302 |                  | CLOSURE -                    | 2,00 | 09/2013   |         | --    |
| 0002 |   | MPVR49229 |                  | BUSHING SHK                  | 2,00 |           |         | --    |
| 0003 |   | MPVR05290 |                  | ROLLER PARACOLPI             | 2,00 |           |         | --    |
| 0004 |   | GUGO00164 |                  | GASKET                       | 2,00 |           |         | --    |
| 0005 |   | LAFN04100 |                  | SPACER PER RUOTINO PARACOLPI | 2,00 |           |         | --    |
| 0006 |   | MPVR06003 |                  | KNOB AISI 304                | 2,00 |           | 03/2013 | --    |
| 0006 |   | MPVR06004 |                  | KNOB AISI 304                | 2,00 | 03/2013   |         | --    |
| 0008 |   | VTRS00245 |                  | WASHER D.6 UNI 6592 INOX     | 2,00 |           |         | --    |
| 0009 |   | LAFN09012 |                  | PLATE -                      | 1,00 |           |         | --    |
| 0010 |   | GUVR00301 |                  | GASKET -                     | 1,00 |           |         | --    |
| 0011 |   | GUVR00300 |                  | GASKET -                     | 1,00 |           |         | --    |
| 0012 |   | LAFN09301 |                  | SOCKET -                     | 2,00 | 09/2013   |         | --    |
| 0014 |   | LAFN08948 |                  | BRACKET -                    | 1,00 |           | 09/2013 | --    |
| 0014 |   | LAFN09279 |                  | SHEET METAL PA.-             | 1,00 | 09/2013   |         | --    |
| 0015 |   | LAFN08949 |                  | BRACKET -                    | 1,00 |           | 09/2013 | --    |
| 0015 |   | LAFN09280 |                  | SHEET METAL PA.-             | 1,00 | 09/2013   |         | --    |
| 0016 |   | MPVR08039 |                  | BLADE S LATEX                | 1,00 |           |         | --    |
| 0017 |   | VTRS13945 |                  | WASHER D. 6X18 INX UNI 6593  | 4,00 |           |         | --    |
| 0018 |   | KTRI02048 |                  | BODY SQUEEGEE PRESSOFUSO "S" | 1,00 |           |         | --    |
| 0019 |   | VTVT00841 |                  | SCREW TE M 6X65 UNI 5739 INX | 2,00 |           |         | --    |
| 0020 |   | VTVT15515 |                  | SCREW TE M 6X 50 INOX A2     | 2,00 |           |         | --    |
| 0021 |   | MPVR05897 |                  | CLOSURE S                    | 2,00 |           |         | --    |
| 0022 |   | MPVR08035 |                  | BLADE S LATEX                | 1,00 |           |         | --    |
| 0023 |   | LAFN08950 |                  | BRACKET -                    | 1,00 |           | 09/2013 | --    |
| 0023 |   | LAFN09281 |                  | SHEET METAL PA.-             | 1,00 | 09/2013   |         | --    |
| 0024 |   | LAFN08951 |                  | BRACKET -                    | 1,00 |           | 09/2013 | --    |
| 0024 |   | LAFN09283 |                  | SHEET METAL PA.-             | 1,00 | 09/2013   |         | --    |
| 0025 |   | LAFN09013 |                  | PLATE -                      | 1,00 |           |         | --    |
| 0026 |   | VTVR00565 |                  | INSERT                       | 2,00 |           |         | --    |
| 0027 |   | VTDD00210 |                  | NUT M 3 AUTOBL.DIN 985 IX.A2 | 8,00 | 09/2013   |         | --    |
| 0028 |   | VTVT01070 |                  | SCREW TSTC M3X8              | 8,00 | 09/2013   |         | --    |