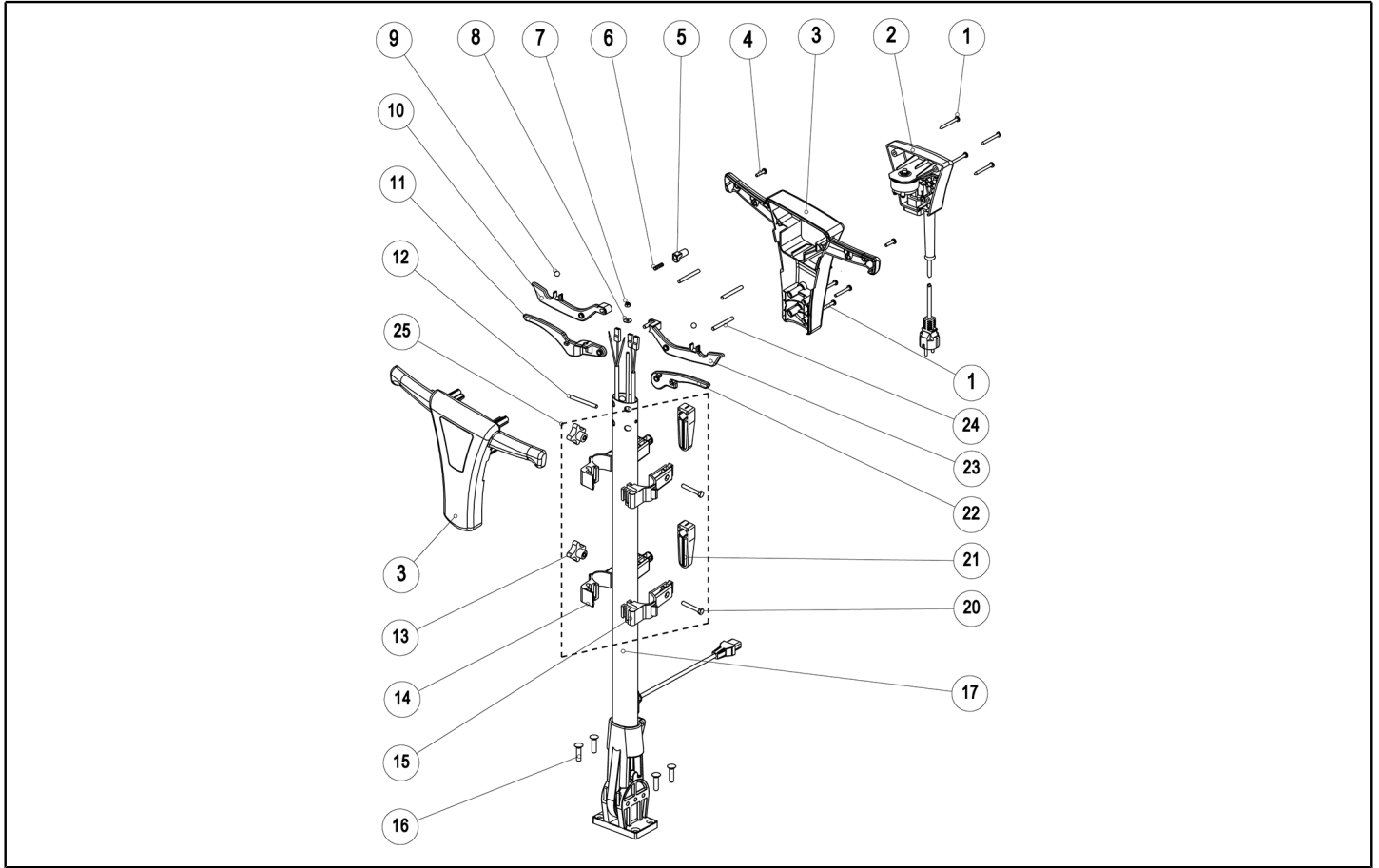


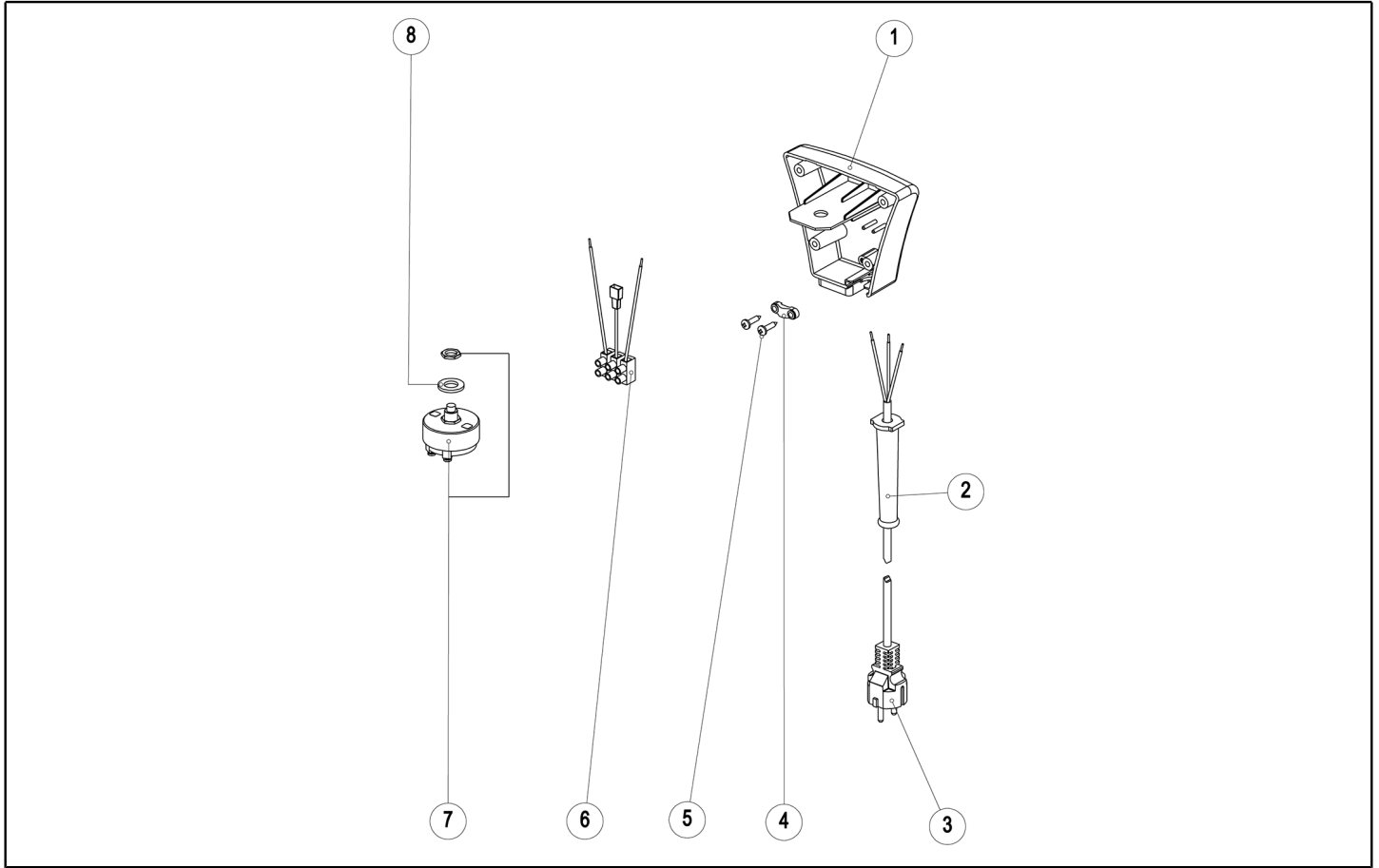
**IPC**

**Spare parts list**

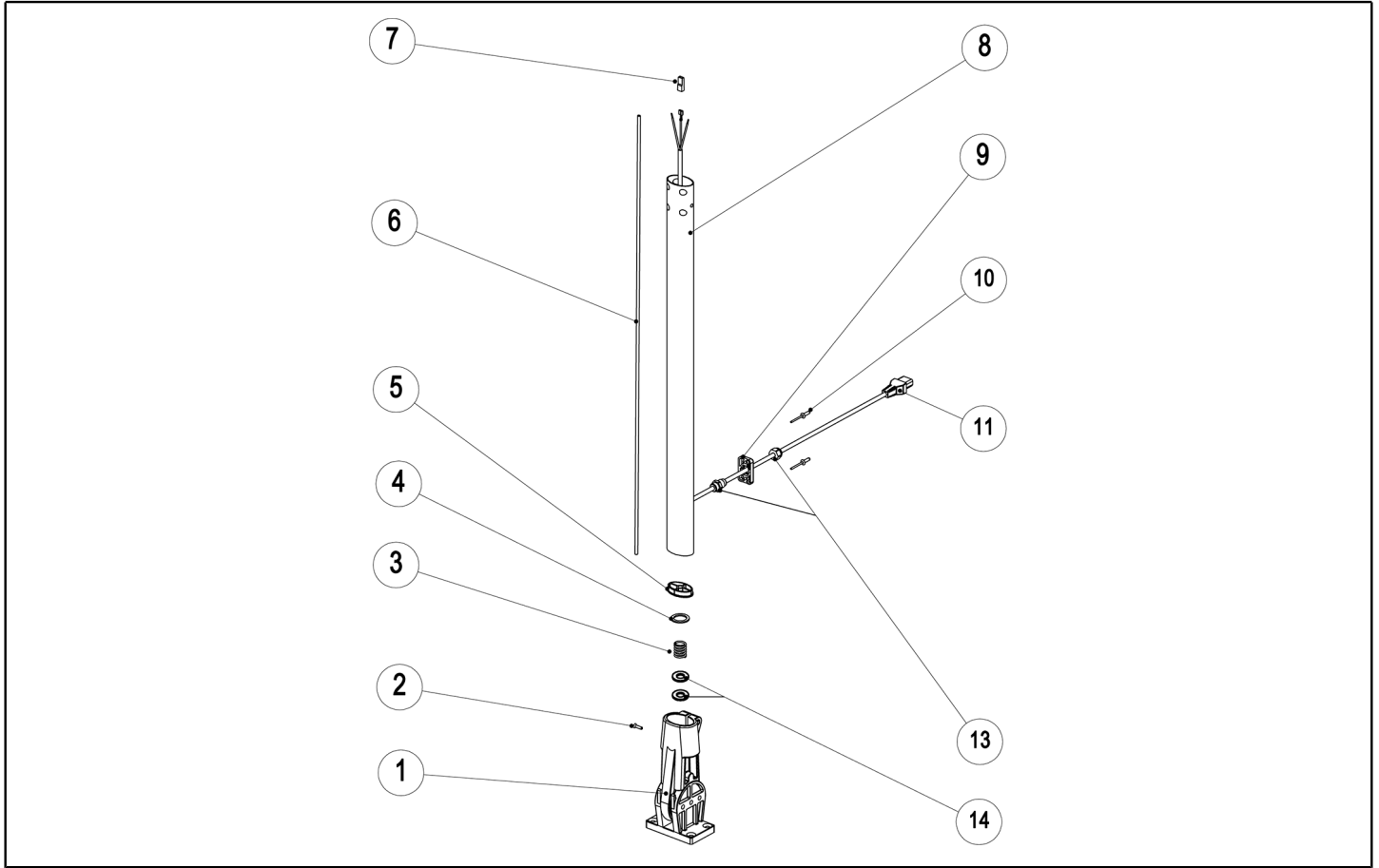
Ref: LUMS00322  
Model: SINGLE BRUSH SD 17



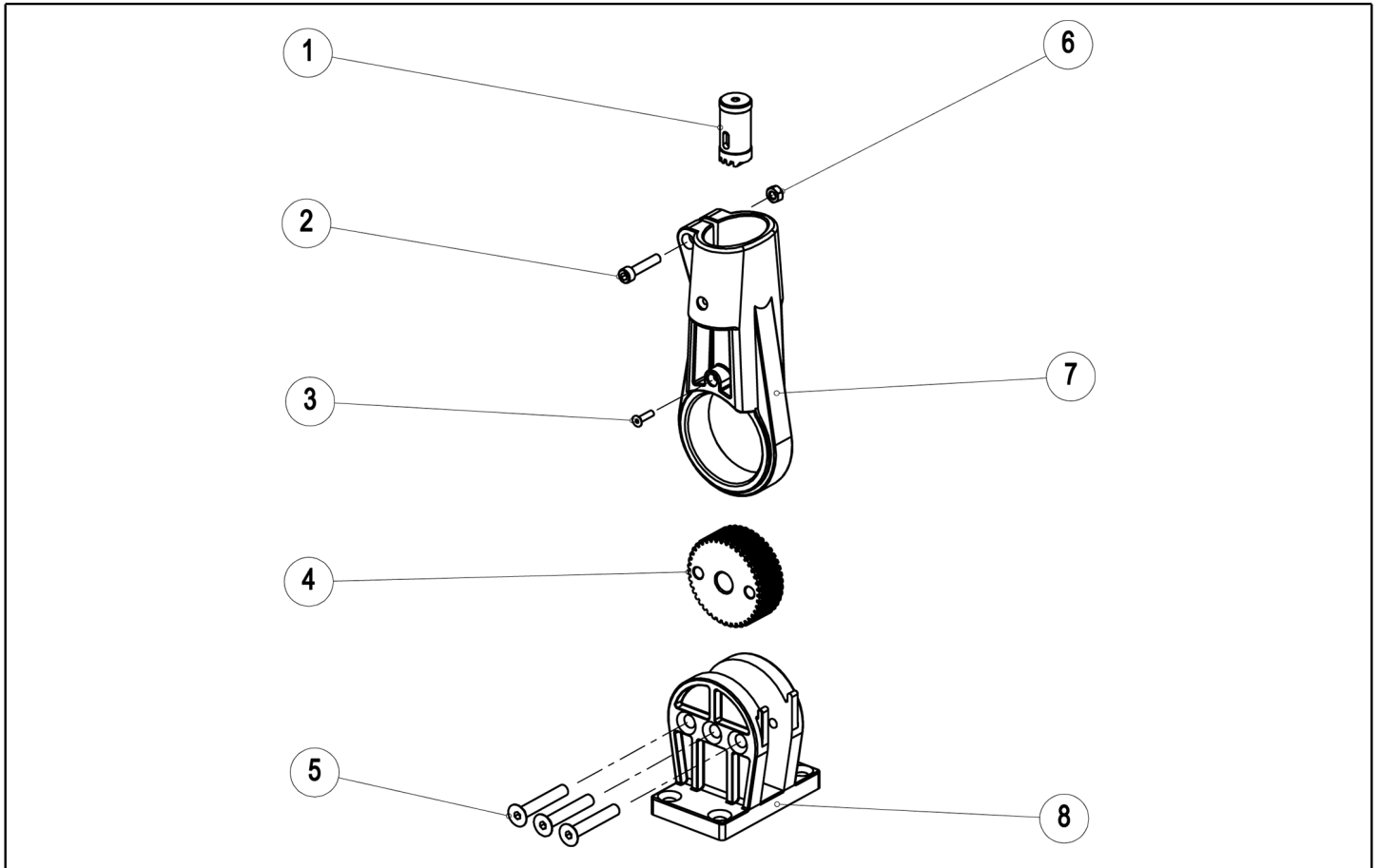
Ref. K	Part n.	Part n. 2	Description	Quantity	Validity		Price
					From	To	
0001	VTVT01478		SCREW TCC 5X50 CP	8,00			--
0002	MPVR12391		BOX .	1,00			--
0003	MPVR12392		SHELL .	1,00			--
0010	MPVR12292		LEVER -	1,00			--
0011	MPVR12293		HANDLE -	1,00			--
0014	MPVR12294		SUPPORT -	2,00			--
0022	MPVR12295		HANDLE -	1,00			--
0023	MPVR12296		LEVER -	1,00			--
0024	VTVR01051		PLUG D.6 L58	3,00			--
0025	KTRI05566		KIT .	1,00			--



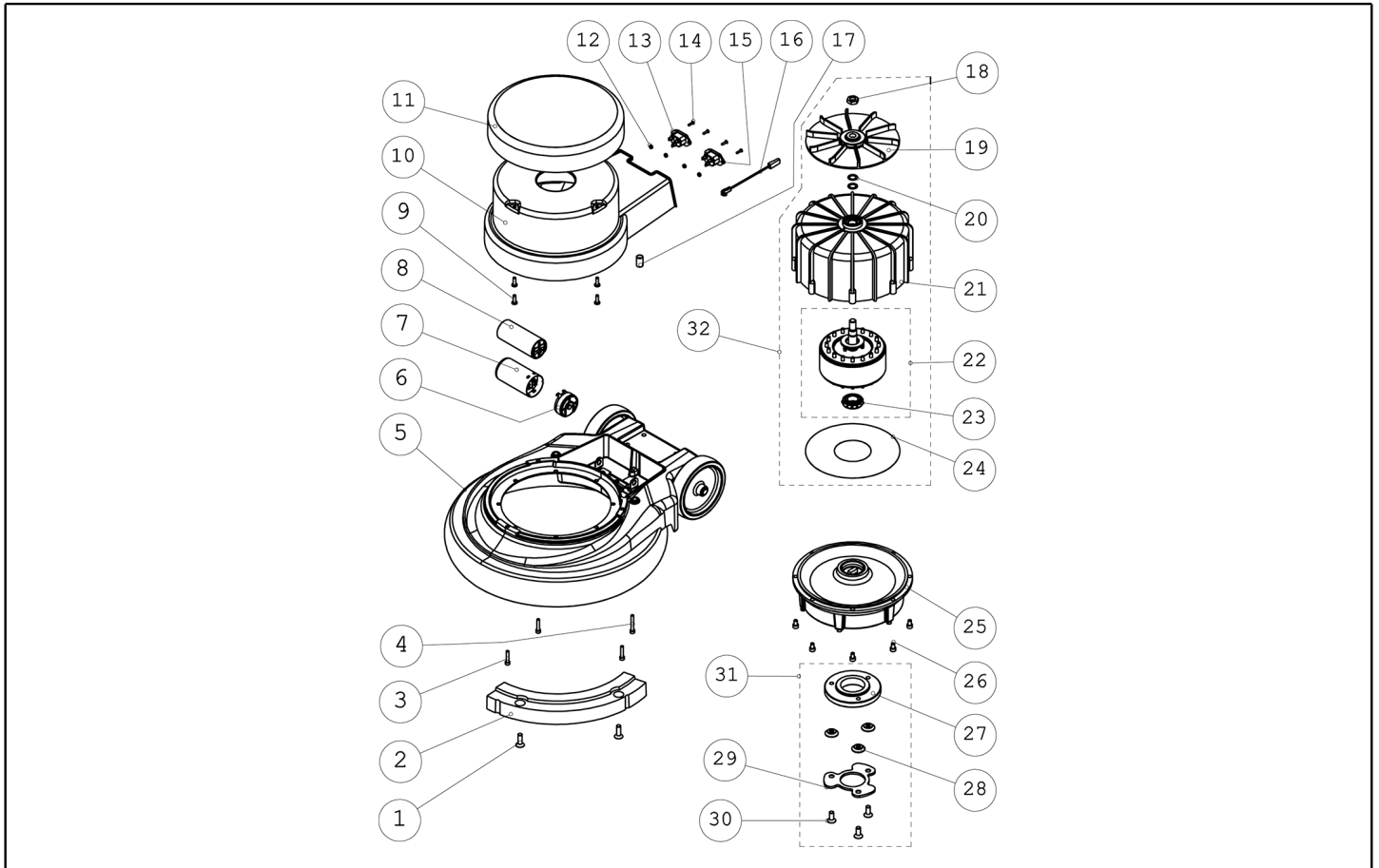
Ref. K	Part n.	Part n. 2	Description	Quantity	Validity		Price
					From	To	
0002	MEVR02565		FAIR-LEAD .	1,00			--
0003	MECB02078		CABLE 3X1,5	1,00			--
0004	MPVR12397		BLOCK .	1,00			--
0005	VTVT01478		SCREW TCC 5X50 CP	2,00			--
0006	MEVR02564		CLAMP .	1,00			--
0007	MECI00677		SWITCH .	1,00			--
0008	VTRS00609		WASHER M12	1,00			--



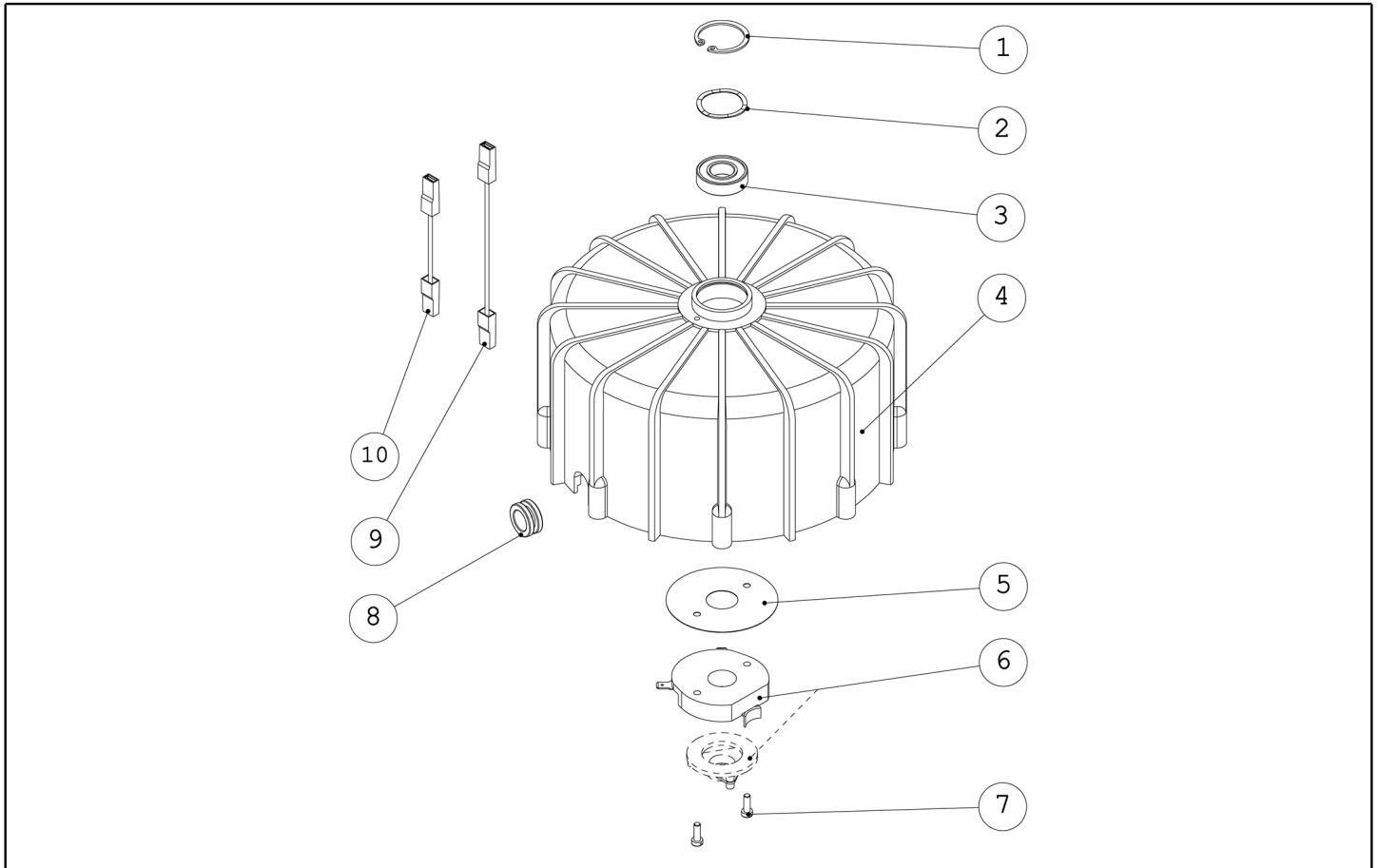
Ref. K	Part n.	Part n. 2	Description	Quantity	Validity		Price
					From	To	
0001	MFVR00306		ARTICULATION .	1,00			--
0003	MLML00499		SPRING .	1,00			--
0006	LAFN11345		ROD .	1,00			--
0008	LAFN11346		ROD .	1,00			--
0011	MECB02079		CABLE WITH PLUG 3X1,5	1,00			--



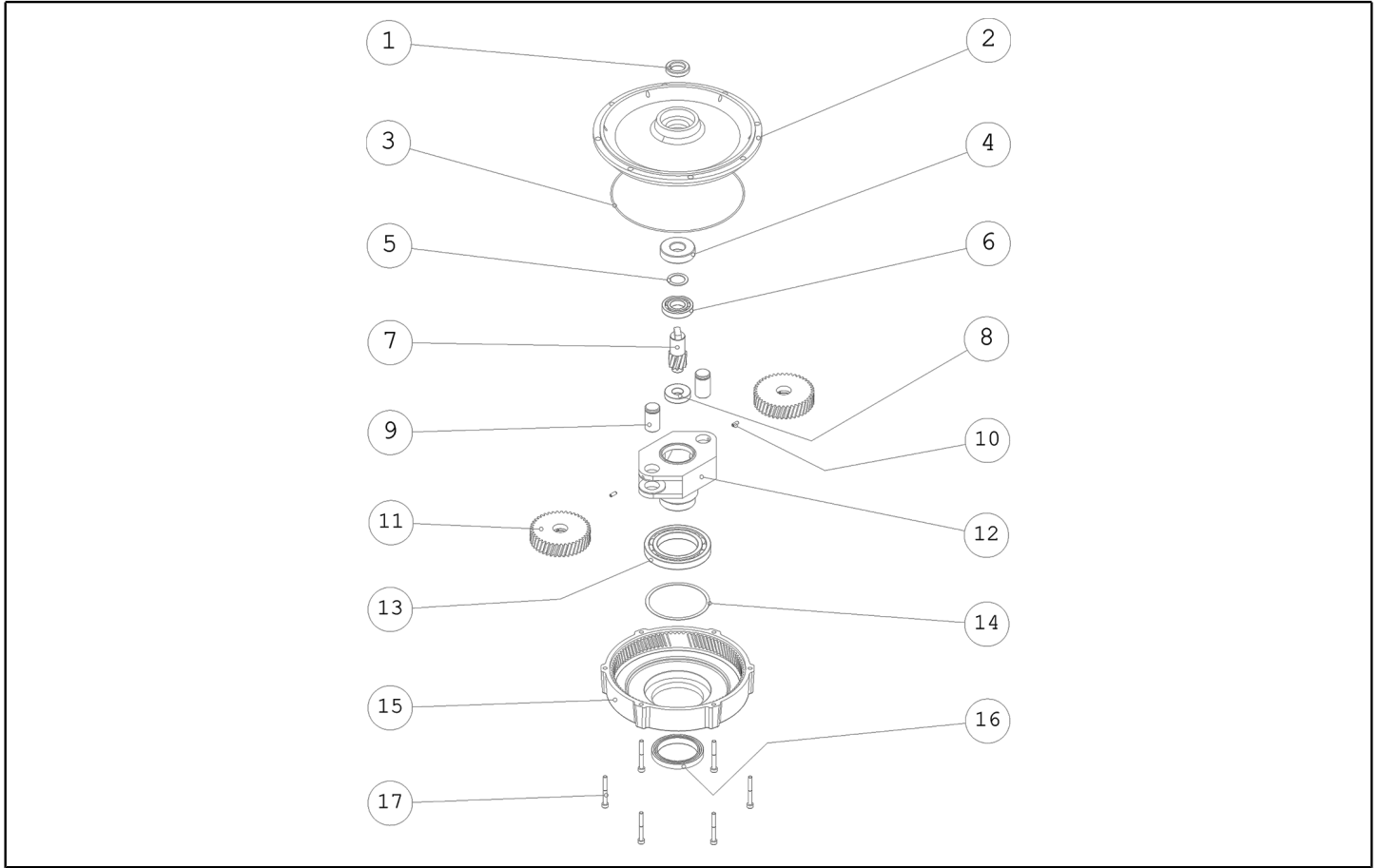
Ref. K	Part n.	Part n. 2	Description	Quantity	Validity		Price
					From	To	
0001	MFVR00307		PISTON .	1,00			--
0004	MTIG00159		GEAR .	1,00			--
0007	MFVR00308		CONNECTING ROD .	1,00			--
0008	MFVR00309		FORK .	1,00			--



Ref. K	Part n.	Part n. 2	Description	Quantity	Validity		Price
					From	To	
0007	MECO00132		CAPACITOR -	1,00			--
0008	MECO00133		CAPACITOR -	1,00			--
0010	MPVR12297		CAP -	1,00			--
0011	MPVR12298		COVER -	1,00			--
0019	MPVR12299		IMPELLER -	1,00			--
0021	MOST00086		EL.MOT. STATOR -	1,00			--
0022	MORT00077		ROTOR -	1,00			--
0023	CUVR00273		BEARING -	1,00			--
0024	MPVR12300		GASKET -	1,00			--
0025	RDGR00049		REDUCTION UNIT -	1,00			--
0031	KTRI05567		KIT.	1,00			--
0032	KTRI05570		KIT MOTOR	1,00			--

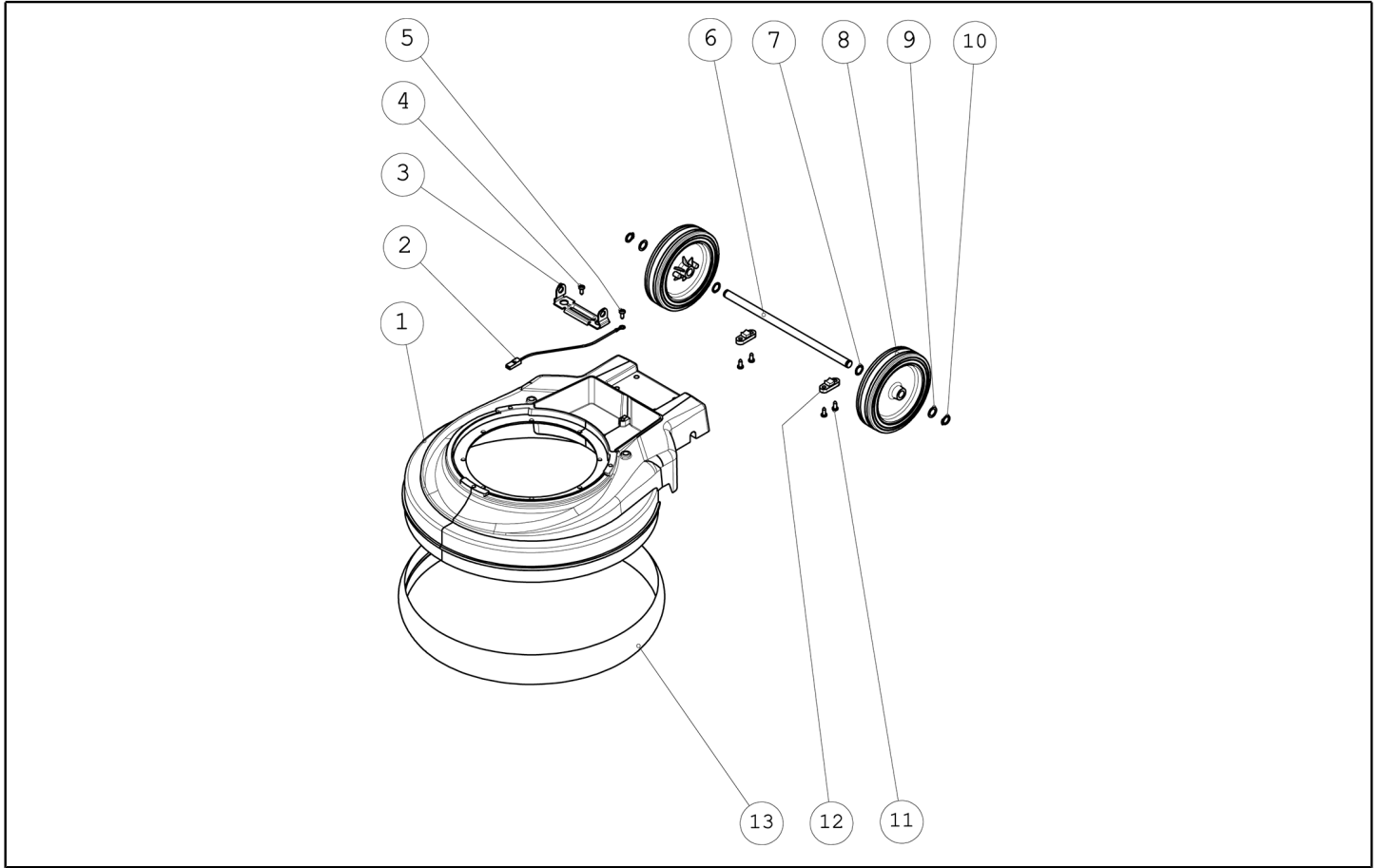


Ref. K	Part n.	Part n. 2	Description	Quantity	Validity		Price
					From	To	
0003	CUVR00274		BEARING 6002 ZZ	1,00			--
0004	MOST00090		EL.MOT. STATOR -	1,00			--
0005	MPVR12301		PLATE -	1,00			--
0006	METT00122		DISJUNCTOR -	1,00			--



Ref. K	Part n.	Part n. 2	Description	Quantity	Validity		Price
					From	To	
0001	GUVR00585		GASKET -	1,00			--
0016	GUVR00586		GASKET -	1,00			--





Ref. K	Part n.	Part n. 2	Description	Quantity	Validity		Price
					From	To	
0008	RTRT00705		WHEEL D.140	2,00			--
0009	VTRS00610		WASHER M12 A2	2,00			--