

Integrated Professional Cleaning



IPC Foma



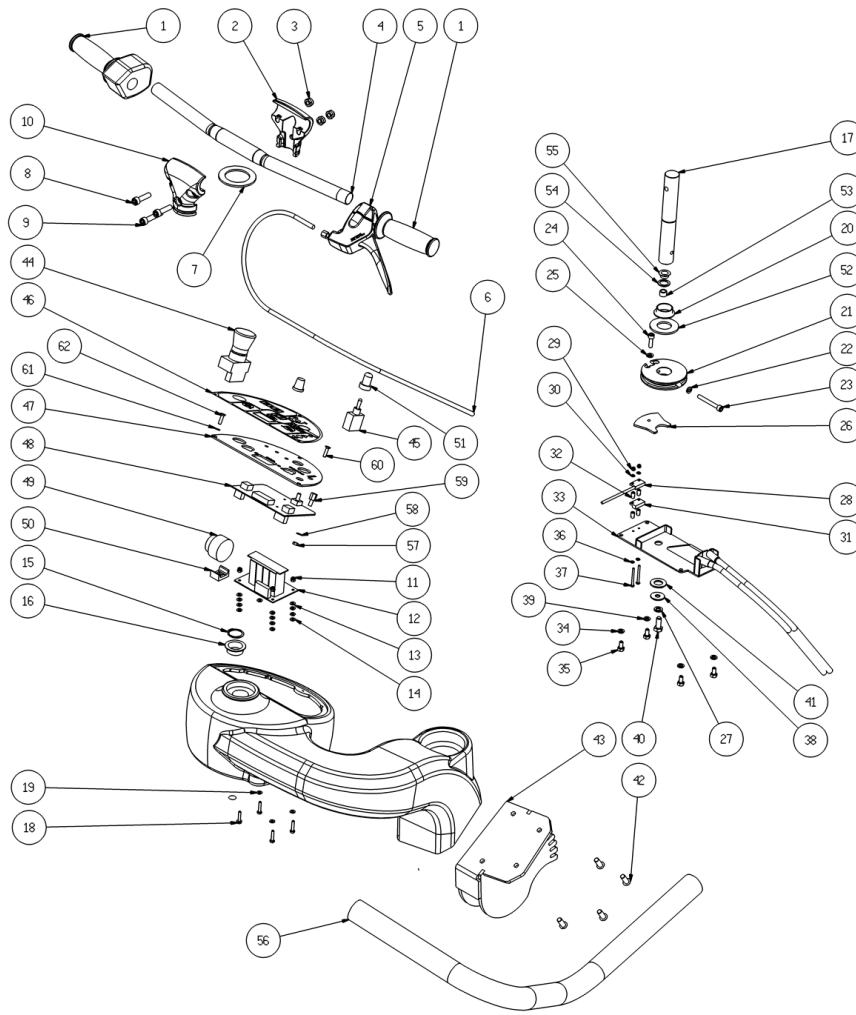
IPC Sverige

Spare Parts List

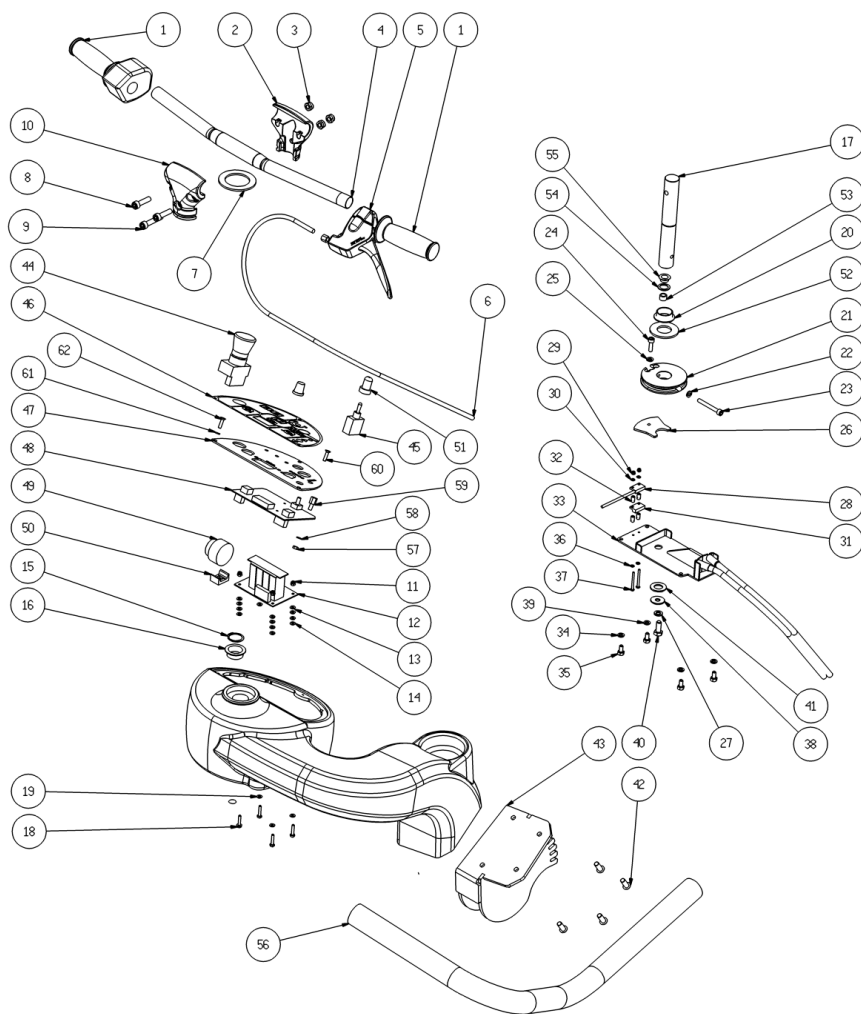
FOMA NORGE AS

Ref: LPTB02457

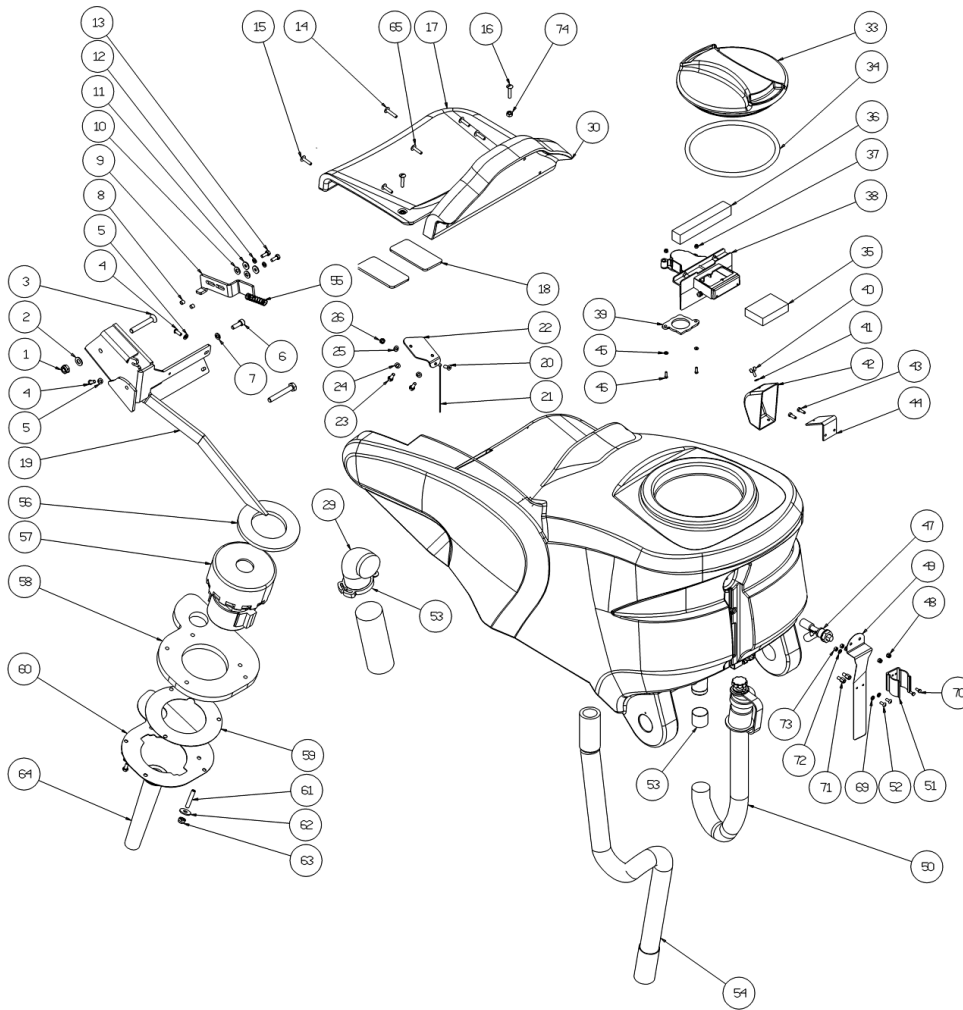
Model: CLEAN TIME 70 RIDER BT70 + BATT. +CB



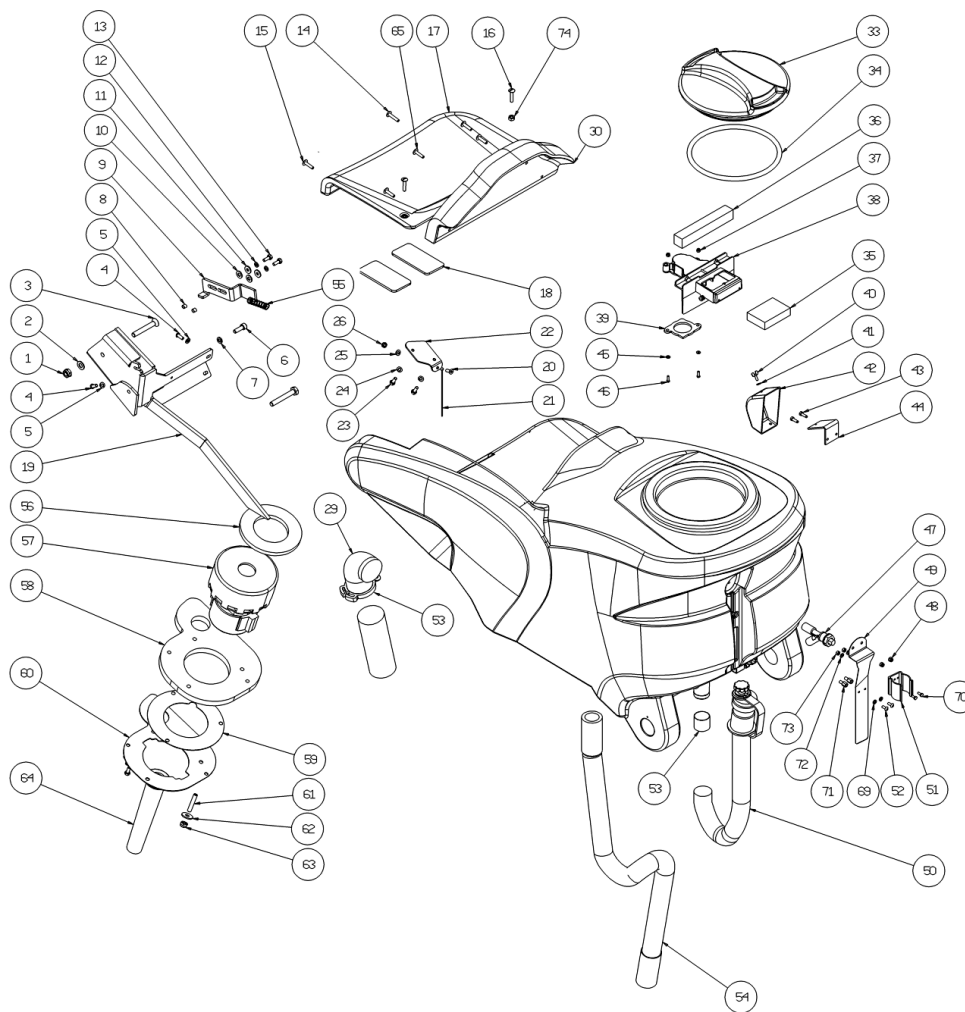
Ref.	K	Part N.	Customer Part N.	Description	Qty	Validity:		Price
						From	To	
0001		MECE00477		ACCELERATOR 5K	1,00			--
0002		MFVR00215		SUPPORT	1,00			--
0003		VTDD01695		NUT M 8 INX	3,00			--
0004		LAFN06905		HANDLEBAR -	1,00			--
0005		CMCV40002		LEVER D.22 C/STZ. MN. C.16	1,00			--
0006		CMCV00436		CABLE FRENI	1,00			--
0007		MPVR05632		FLANGE -	1,00			--
0008		VTVT00822		SCREW TCEI M 8-30	2,00			--
0009		VTVT06241		SCREW 8X40	1,00			--
0010		MFVR00214		SUPPORT	1,00			--
0011		VTDD15925		NUT M 4 INX	4,00			--
0012		MECE00482		BOARD CT70R	1,00			--
0013		VTRS00515		WASHER D. 4 INX	8,00			--
0014		VTRS00515		WASHER D. 4 INX	8,00			--
0015		VTAE00018		SEEGER E25x1,2 DIN471	1,00			--
0016		MPVR05408		BUSHING CB	1,00			--
0017		LAFN06906		AXLE STERZO	1,00			--
0018		VTVT00727		SCREW TE M. 4-20	4,00			--
0019		VTRS00515		WASHER D. 4 INX	4,00			--
0020		MPVR05408		BUSHING CB	1,00			--
0021		MTPL00201		PULLEY -	1,00			--
0022		VTRS15144		WASHER D. 6 INX GRW UNI 1751	1,00			--
0023		VTVT00261		SCREW TCEI M 6X50 ZC. UNI 5931	1,00			--
0024		VTVT00428		SCREW TCEI 6X20 UNI5931 INX	1,00			--
0025		VTRS15144		WASHER D. 6 INX GRW UNI 1751	1,00			--
0026		LAFN07619		PLATE -	1,00			--
0027		VTRS15146		WASHER D. 8 INX GRW UNI 1751	1,00			--
0028		MECI00560		SENSOR SMP14-C-001	1,00			--
0029		VTDD00210		NUT M 3 INOX	2,00			--
0030		VTRS21116		WASHER D. 3 INX	2,00			--
0031		MEVR01745		BLOCK	1,00			--
0032		MPVR05636		SPACER -	4,00			--
0033		LAFN06907		BOX STERZO	1,00			--
0034		VTRS15144		WASHER D. 6 INX GRW UNI 1751	4,00			--
0035		VTVT15143		SCREW TE 6X16 UNI5739	4,00			--
0036		VTRS21116		WASHER D. 3 INX	2,00			--
0037		VTVT00691		CARRYNG BAG	2,00			--
0038		VTRS13946		WASHER D. 8 X24 INX UNI 6593	1,00			--
0039		VTRS15146		WASHER D. 8 INX GRW UNI 1751	1,00			--



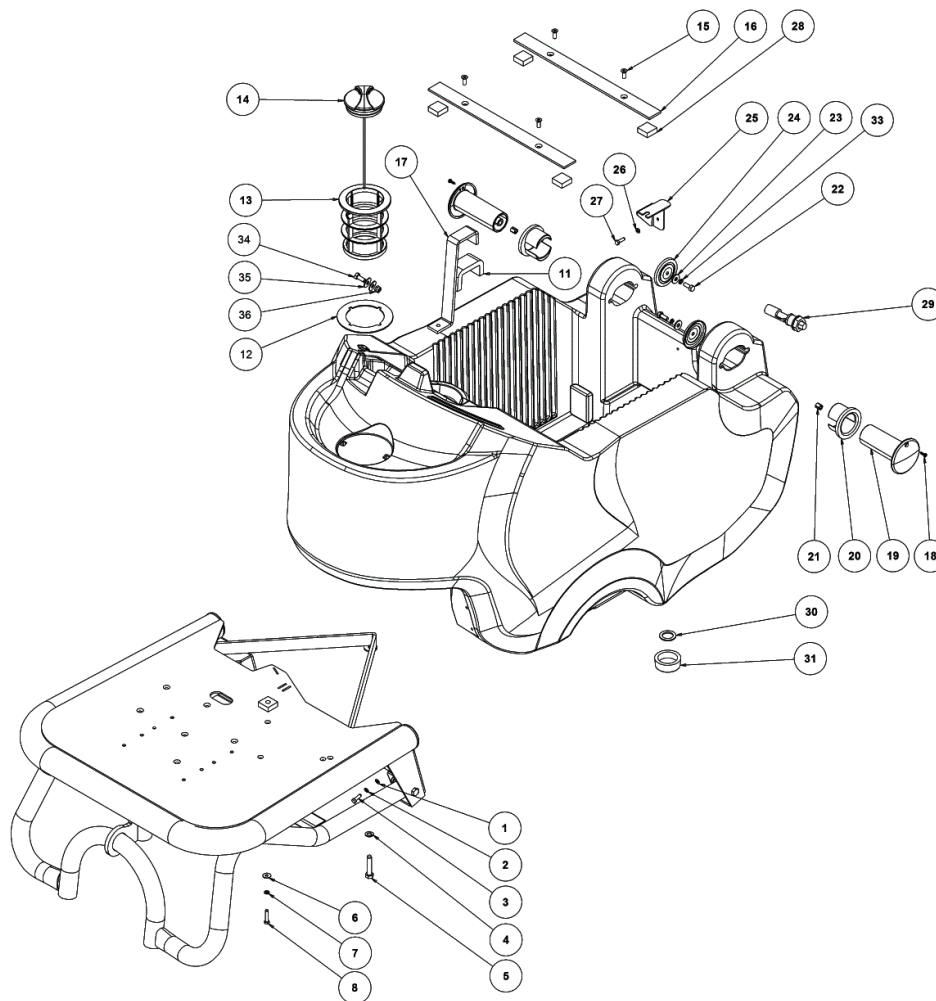
Ref.	K	Part N.	Customer Part N.	Description	Qty	Validity:		Price
						From	To	
0040		VTVT13938		SCREW TE 8X20 UNI5739 INX	1,00			--
0041		VTRS00250		WASHER D.14	1,00			--
0042		VTVT49163		SCREW TBEI M 8X 20 ISO 7380 IX	4,00			--
0043		LAFN06909		PLATE SELETTORE	1,00			--
0044		MECI00402		BUTTON A FUNGO	1,00			--
0045		MECI30499		SWITCH 10A - 250VAC	1,00			--
0046		ETET01589		LABEL RIDER	1,00		05/2012	--
0046		ETET01717		LABEL -	1,00	05/2012		--
0047		LAFN06901		SUPPORT PLANCIA	1,00		05/2012	--
0047		LAFN08989		SUPPORT -	1,00	05/2012		--
0048		MECE00480		BOARD RIDER	1,00			--
0049		MEVR01436		BUZZER -	1,00			--
0050		FSVR00243		CLAMP 20/30	1,00			--
0051		MEVR01975		RUBBER DEVIATORE	1,00			--
0052		VTRS00276		WASHER 25-50	1,00			--
0053		LAFN08823		SPACER -	1,00			--
0054		VTRS00376		WASHER 15x21	1,00			--
0055		CUVR00186		BEARING -	1,00			--
0056		MPVR05795		SHEATH -	1,00			--
0057		VTDD21115		NUT M 3 INOX	3,00		05/2012	--
0058		VTRS00268		WASHER D.3	3,00		05/2012	--
0059		VTVR00481		INSERT FILETTATO M6	3,00		05/2012	--
0060		VTVT00722		SCREW	3,00	05/2012		--
0060		VTVT00865		SCREW TSP-TC M 3X 6 UNI7688 INX	3,00		05/2012	--
0061		VTRS00515		WASHER D. 4 INX	3,00			--
0062		VTVT37012		SCREW M 4X 10 TCB-TC INX	3,00			--



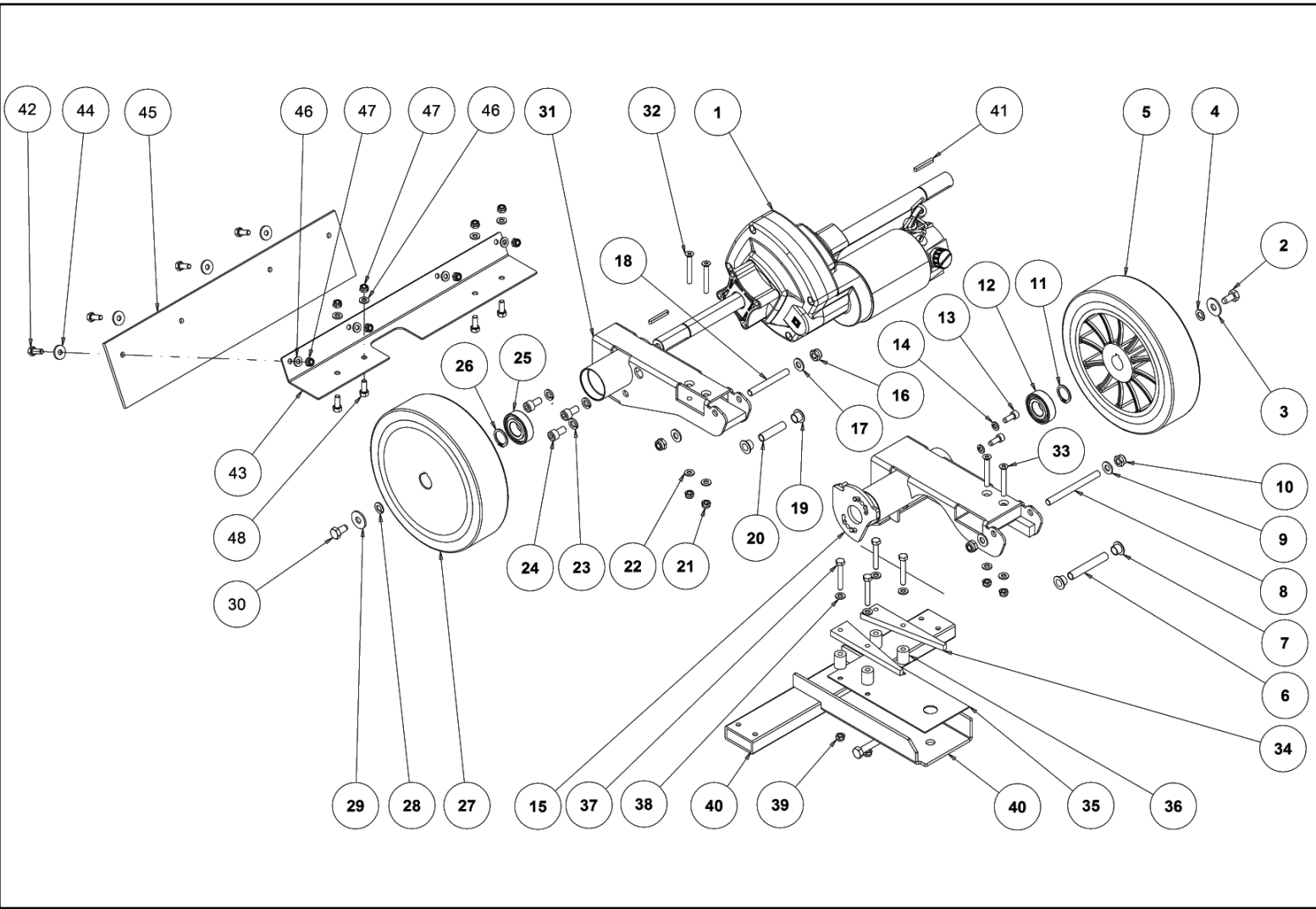
Ref.	K	Part N.	Customer Part N.	Description	Qty	Validity:		Price
						From	To	
0001		VTDD15519		NUT M10 INOX	1,00			--
0002		VTRS15523		WASHER D.10 X21 INOX UNI 6592	1,00			--
0003		VTVT01685		SCREW TSPEI M.10X70	1,00			--
0004		VTVT00787		SCREW TBEI M 6-16	2,00			--
0005		VTRS15144		WASHER D. 6 INX GRW UNI 1751	2,00			--
0006		VTVT00639		SCREW TCEI 8X25	1,00			--
0007		VTRS15146		WASHER D. 8 INX GRW UNI 1751	1,00			--
0008		LAFN07202		SPACER -	2,00			--
0009		LAFN06908		HOOK -	1,00			--
0010		VTRS00274		WASHER NYLON 66 D.8,4-17-2 UNI	2,00			--
0011		VTRS13945		WASHER D. 6X18 INX UNI 6593	2,00			--
0012		VTRS15144		WASHER D. 6 INX GRW UNI 1751	2,00			--
0013		VTVT15143		SCREW TE 6X16 UNI5739	2,00			--
0014		VTVT01007		SCREW 6X30	3,00			--
0015		VTVT01006		SCREW 6X25	1,00			--
0016		VTVT01006		SCREW 6X25	1,00	12/2010		--
0016		VTVT01007		SCREW 6X30	1,00		11/2010	--
0017		MPVR05393		SEAT CT70 RIDER	1,00			--
0018		MEVR00148		DASHBOARD SEDILE	1,00			--
0019		LAFN06910		PLATE SERBATOIO	1,00			--
0020		VTVT00832		SCREW TSPEI M6X16 INOX	1,00			--
0021		CMCV00360		CABLE -	1,00			--
0022		LAFN07607		BRACKET -	1,00			--
0023		VTVT15143		SCREW TE 6X16 UNI5739	2,00			--
0024		VTRS15144		WASHER D. 6 INX GRW UNI 1751	2,00			--
0025		VTRS00245		WASHER D.6 UNI 6592 INOX	1,00			--
0026		VTDD01694		NUT M6 INOX	1,00			--
0029		MPVR05790		SLEEVE -	1,00			--
0030		MPVR05775		SHEET METAL PA.	1,00			--
0033		MPVR04051		TANK CAP	1,00			--
0034		GUGO00263		GASKET CIRCOLARE TAPPO	1,00			--
0035		FTDP00133		FILTER -	1,00			--
0036		GUGO00418		GASKET CONDOTTO ASPIRAZIONE	1,00			--
0037		VTDD15925		NUT M 4 INX	2,00			--
0038		MPVR05482		BOX -	1,00			--
0039		GUGO00417		GASKET SCATOLA ASPIRAZIONE	1,00			--
0040		VTVT01150		SCREW 4x10	1,00			--
0041		VTRS00570		WASHER -	1,00			--
0042		MPVR05596		PROTECTION -	1,00			--



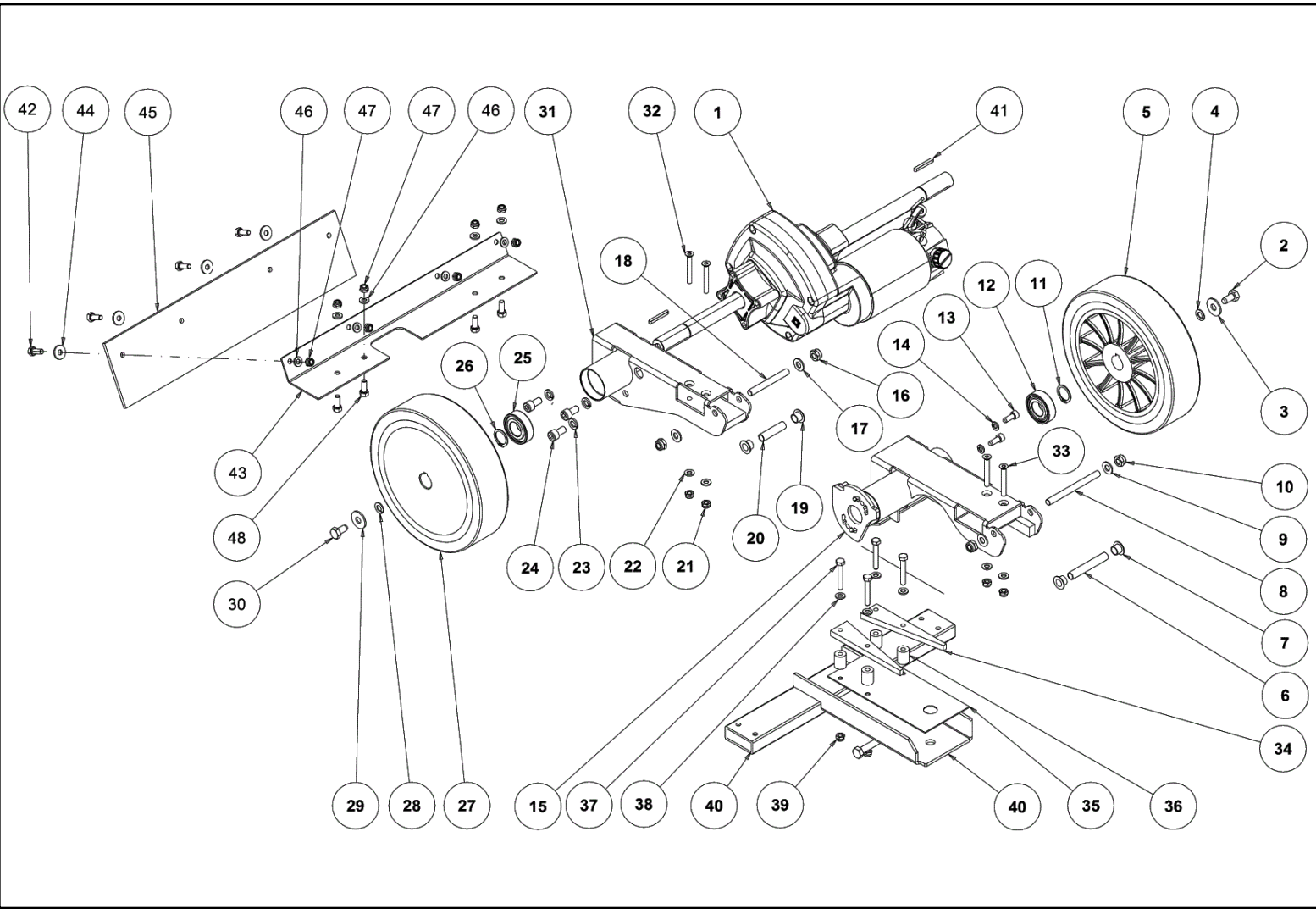
Ref.	K	Part N.	Customer Part N.	Description	Qty	Validity:		Price
						From	To	
0043		VTVT07725		SCREW TE 5X16 UNI5739 INX	2,00			--
0044		LAFN07728		BRACKET -	1,00			--
0045		VTRS00251		WASHER 4-16 INOX A2	2,00			--
0046		VTVT00873		SCREW TE 4X35	2,00			--
0047		MECI00516		SENSOR DI LIVELLO ORIZZONTALE	1,00			--
0048		VTDD01693		NUT M 5 INX	2,00			--
0049		LAFN07624		PROTECTION -	1,00			--
0050		TBBP00456		TUBE CT40/70	1,00		02/2011	--
0050		TBFX00348		TUBE CT40-70-90 HOSE DRAIN	1,00	02/2011	04/2013	--
0050		TBFX00358		TUBE PU CT40/70/90	1,00	04/2013		--
0051		MPVR46988		CLIP LAV. SHK	1,00			--
0052		VTVT37012		SCREW M 4X 10 TCB-TC INX	2,00			--
0053		FSVR00033		CLAMP 45-60	1,00	04/2012		--
0053		FSVR00254		CLAMP -	1,00		04/2012	--
0054		TBFX00337		TUBE L=1100	1,00		02/2012	--
0054		TBFX00353		TUBE PU CT70-CT90	1,00	02/2012		--
0055		MLML38415		SPRING E350 II	1,00			--
0056		GUGO00272		GASKET VACUUM MOTOR CT	1,00			--
0057		MOCC00342		VACUUM CLEANER 24V	1,00			--
0058		MPVR05103		SOUND-PROOFING ASPIRATORE	1,00			--
0059		MPVR04724		FLANGE IN NYLON	1,00			--
0060		LAFN06363		FLANGE ASPIRATORE	1,00			--
0061		VTVT00900		GRUB SCREW M 6-30 CON ES	3,00			--
0062		VTRS13945		WASHER D. 6X18 INX UNI 6593	3,00			--
0063		VTDD01694		NUT M6 INOX	3,00			--
0064		MPVR05635		TUBE -	1,00			--
0065		VTVT01370		SCREW M6X35	4,00			--
0067		RCVR00545		CONNECTOR 90°	1,00			--
0068		VTVT48694		SCREW TCB TC 5 X12 UNI 9707 TZ	1,00			--
0069		VTRS15913		WASHER D. 4 GROVER A2 UNI1751	2,00			--
0070		VTVT21096		SCREW TE M 4X 10 INX	2,00			--
0071		MPVR05794		SPACER -	2,00			--
0072		VTRS00515		WASHER D. 4 INX	2,00			--
0073		VTDD00055		NUT M 4 ATB A2	2,00			--
0074		VTDD01694		NUT M6 INOX	1,00	12/2010		--



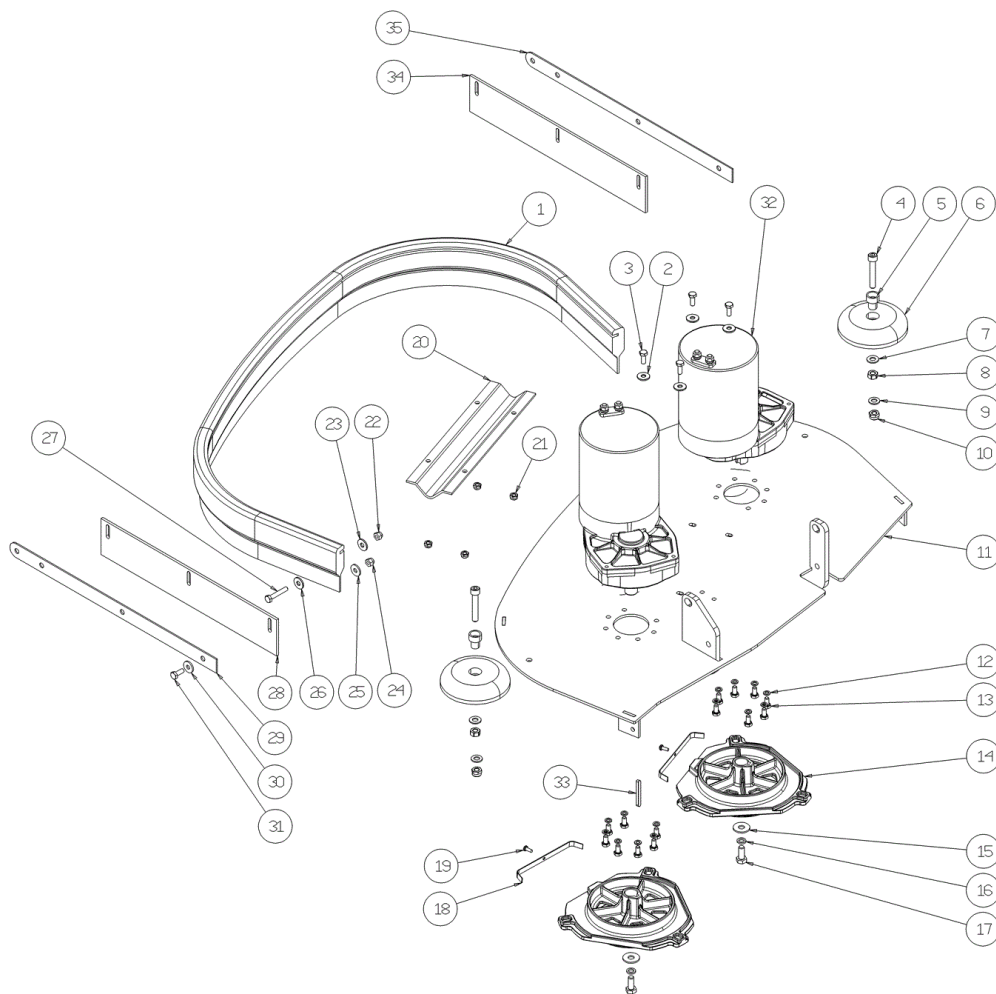
Ref.	K	Part N.	Customer Part N.	Description	Qty	Validity:		Price
						From	To	
0001		VTRS13750		WASHER D. 5X14 INX	4,00			--
0002		VTRS15908		WASHER D. 5 INX GRW UNI 1751	4,00			--
0003		VTVT01300		SCREW TE M5X12 INOX	4,00	12/2010		--
0003		VTVT07725		SCREW TE 5X16 UNI5739 INX	4,00		11/2010	--
0004		VTRS15146		WASHER D. 8 INX GRW UNI 1751	2,00			--
0005		VTVT00708		SCREW TE M. 8-40	2,00			--
0006		VTRS13750		WASHER D. 5X14 INX	2,00			--
0007		VTRS15908		WASHER D. 5 INX GRW UNI 1751	2,00			--
0008		VTVT00766		SCREW TE M. 5-25	2,00			--
0011		MPVR05642		THICKNESS -	1,00			--
0012		GUGO00267		GASKET FILTRO	1,00			--
0013		FTAC00041		FILTER -	1,00			--
0014		MPVR05188		CAP -	1,00			--
0015		VTVT00832		SCREW TSPEI M6X16 INOX	4,00			--
0016		LAFN07604		PLATE -	2,00			--
0017		LAFN07751		BRACKET -	1,00			--
0018		VTVT48694		SCREW TCB TC 5 X12 UNI 9707 TZ	2,00			--
0019		MPVR48695		PIN SHK.BK	2,00			--
0020		PMVR02028		RUBBER GRUPPO MONTAGGIO	2,00			--
0021		VTVR48693		INSERT M6 D.9	2,00			--
0022		VTVT15143		SCREW TE 6X16 UNI5739	2,00			--
0023		VTRS13945		WASHER D. 6X18 INX UNI 6593	2,00			--
0024		LAFN07800		SHEET METAL PA.-	2,00			--
0025		LAFN06925		BRACKET -	1,00			--
0026		VTRS15908		WASHER D. 5 INX GRW UNI 1751	1,00			--
0027		VTVT01300		SCREW TE M5X12 INOX	1,00			--
0028		MPVR05743		THICKNESS -	4,00			--
0029		MECI00516		SENSOR DI LIVELLO ORIZZONTALE	1,00			--
0030		GUGO00416		GASKET TAPPO SCARICO SERB.	1,00			--
0031		MPVR04931		CAP SCARICO	1,00			--
0032		MPVR02944		CAP DOPPIO DI FISSAGGIO	1,00			--
0033		VTRS15144		WASHER D. 6 INX GRW UNI 1751	2,00			--
0034		MPVR02944		CAP DOPPIO DI FISSAGGIO	1,00		04/2012	--
0034		VTVT01300		SCREW TE M5X12 INOX	1,00	04/2012		--
0035		VTRS13750		WASHER D. 5X14 INX	2,00	04/2012		--
0036		VTDD01693		NUT M 5 INX	1,00	04/2012		--



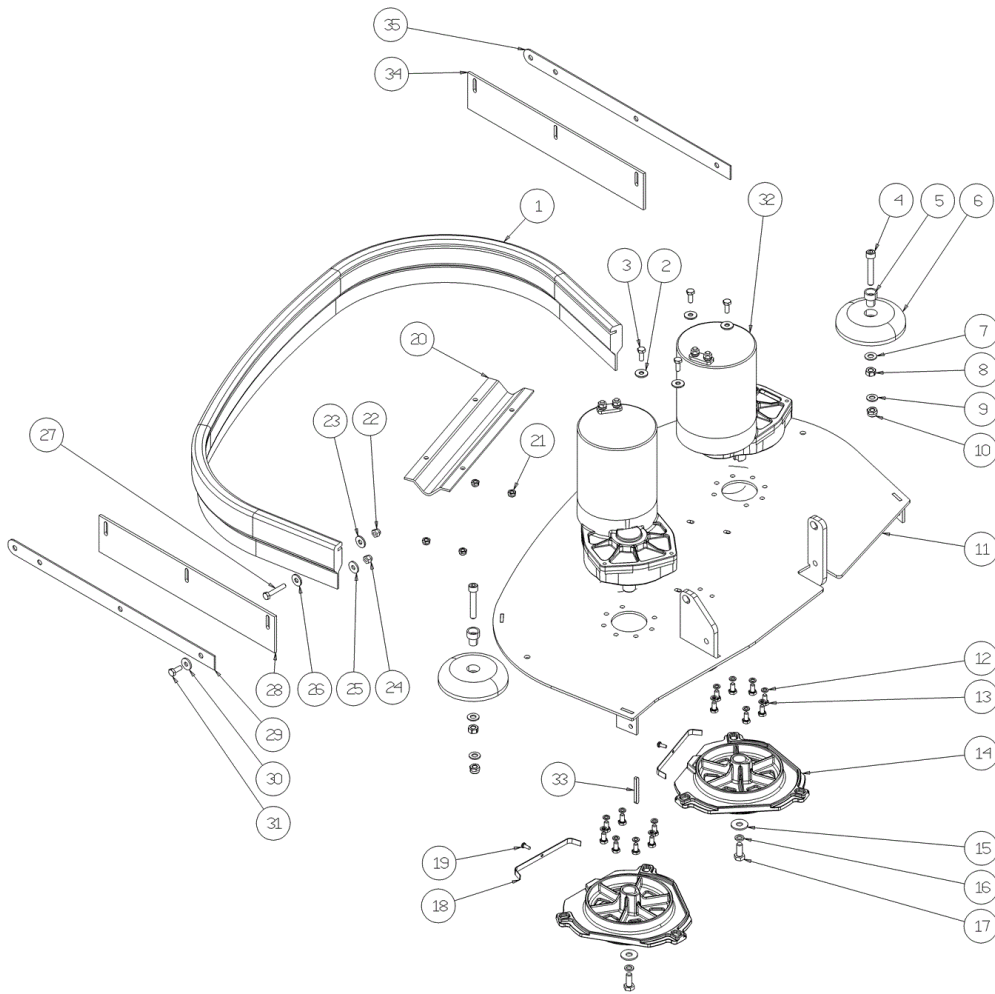
Ref.	K	Part N.	Customer Part N.	Description	Qty	Validity:		Price
						From	To	
0001		MOCC00022		CARBON X MOT.COD.MOCC86902	2,00			--
0001		MOCC00395		MOTOR TRACTION 24V 200W 150G	1,00			--
0002		VTVT15916		SCREW TE M 8X 16 UNI 5739 A2	1,00			--
0003		VTRS16323		WASHER D. 8 X32 UNI 6593 INX	1,00			--
0004		VTRS15146		WASHER D. 8 INX GRW UNI 1751	1,00			--
0005		RTRT00524		WHEEL -	1,00		05/2010	--
0005		RTRT00529		WHEEL D200	1,00	05/2010	09/2012	--
0005		RTRT00546		WHEEL D.200	1,00	09/2012		--
0006		LAFN07565		SPACER -	1,00			--
0007		CUVR43254		BUSHING CB 85 1010 18T	2,00			--
0008		LAFN07741		PIN -	1,00			--
0009		VTRS13947		WASHER D. 8 INX UNI 6592	2,00			--
0010		VTDD01695		NUT M 8 INX	2,00			--
0011		VTAE06193		CIRCLIP D. 20 UNI 7435	1,00			--
0012		CUVR00083		BEARING 6004 2RS H SKF	1,00	10/2011	04/2013	--
0012		CUVR00190		BEARING 6004	1,00	04/2013		--
0012		CUVR19846		BALL BEARING 6004 2RS1	1,00		10/2011	--
0013		VTVT00717		SCREW TCEI M. 6-16	2,00			--
0014		VTRS15144		WASHER D. 6 INX GRW UNI 1751	2,00			--
0015		LAFN06903		SUPPORT DX	1,00			--
0016		VTDD01695		NUT M 8 INX	2,00			--
0017		VTRS13947		WASHER D. 8 INX UNI 6592	2,00			--
0018		LAFN07742		PIN -	1,00			--
0019		CUVR43254		BUSHING CB 85 1010 18T	2,00			--
0020		LAFN07566		SPACER -	1,00			--
0021		VTDD01694		NUT M6 INOX	4,00			--
0022		VTRS00245		WASHER D.6 UNI 6592 INOX	4,00			--
0023		VTRS15146		WASHER D. 8 INX GRW UNI 1751	3,00			--
0024		VTVT00876		SCREW TCEI M.8-16	3,00			--
0025		CUVR00083		BEARING 6004 2RS H SKF	1,00	10/2011	04/2013	--
0025		CUVR00190		BEARING 6004	1,00	04/2013		--
0025		CUVR19846		BALL BEARING 6004 2RS1	1,00		10/2011	--
0026		VTAE06193		CIRCLIP D. 20 UNI 7435	1,00			--
0027		RTRT00524		WHEEL -	1,00		09/2012	--
0027		RTRT00546		WHEEL D.200	1,00	09/2012		--
0028		VTRS15146		WASHER D. 8 INX GRW UNI 1751	1,00			--
0029		VTRS16323		WASHER D. 8 X32 UNI 6593 INX	1,00			--
0030		VTVT15916		SCREW TE M 8X 16 UNI 5739 A2	1,00			--
0031		LAFN06904		SUPPORT SX	1,00			--



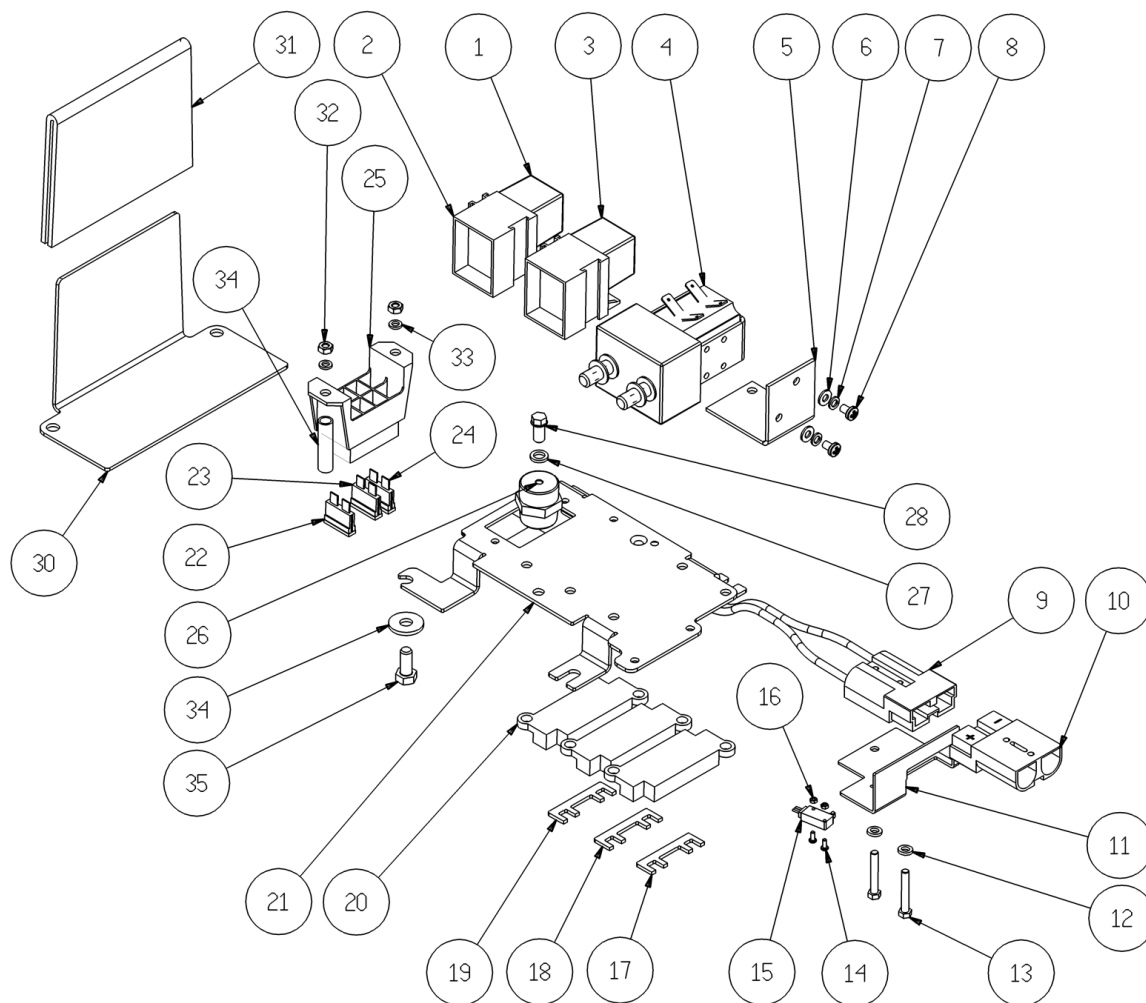
Ref.	K	Part N.	Customer Part N.	Description	Qty	Validity:		Price
						From	To	
0032		VTVT26818		SCREW M6x45 TSPEI UNI5933	2,00			--
0033		VTVT29523		SCREW M 6X 35 TSPEI UNI 5933	2,00			--
0034		MPVR05682		GUIDE -	2,00			--
0035		MPVR05683		PLATE -	1,00			--
0036		MPVR05687		SPACER -	4,00			--
0037		VTVT01683		SCREW TE 6X40	4,00			--
0038		VTRS00245		WASHER D.6 UNI 6592 INOX	4,00			--
0039		VTDD01694		NUT M6 INOX	4,00			--
0040		LAFN07456		SUPPORT -	1,00			--
0041		VTVR00566		KEY 6X10X40	2,00	09/2012		--
0041		VTVR33668		KEY 6x 6x40 UNI 6604A	2,00		09/2012	--
0042		VTVT15143		SCREW TE 6X16 UNI5739	4,00	09/2012		--
0043		LAFN07951		BRACKET CT40-90	1,00	09/2012		--
0044		VTRS13945		WASHER D. 6X18 INX UNI 6593	4,00	09/2012		--
0045		MPVR06230		FLAP CT40 CT70-90	1,00	09/2012		--
0046		VTRS00245		WASHER D.6 UNI 6592 INOX	8,00	09/2012		--
0047		VTDD01694		NUT M6 INOX	8,00	09/2012		--
0048		VTVT01531		SCREW TE 6X 16 UNI 5739	4,00	09/2012		--



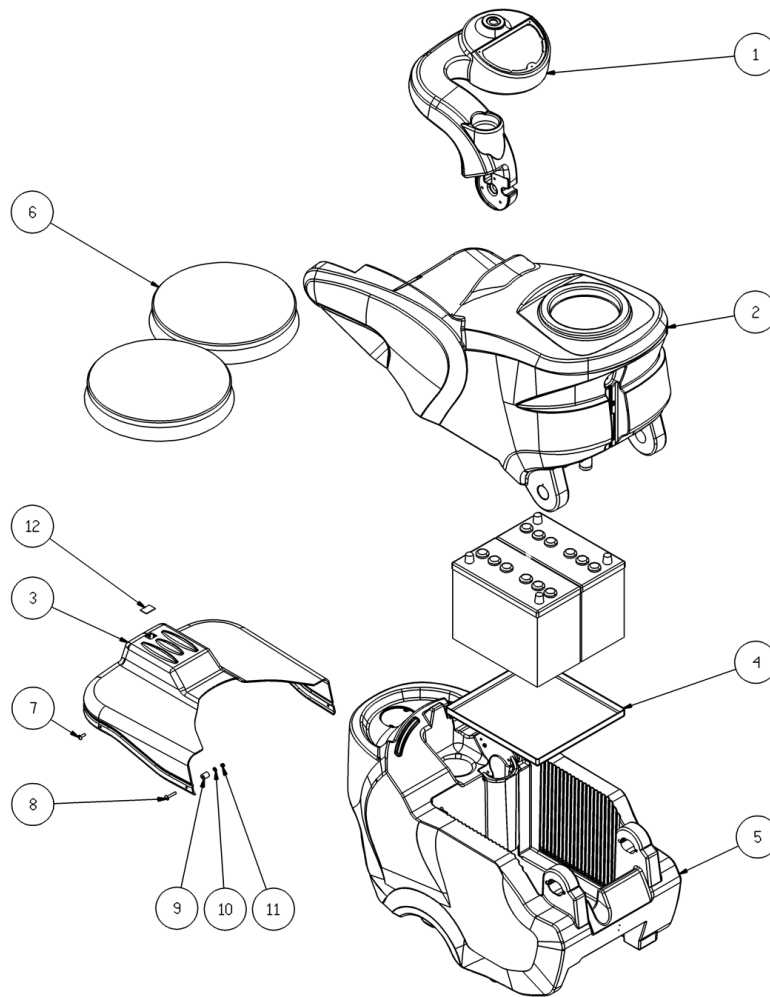
Ref.	K	Part N.	Customer Part N.	Description	Qty	Validity:		Price
						From	To	
0001		MPVR05232		BUMPER -	1,00		03/2012	--
0001		MPVR06224		BUMPER -	1,00	03/2012		--
0002		VTRS13945		WASHER D. 6X18 INX UNI 6593	4,00			--
0003		VTVT15143		SCREW TE 6X16 UNI5739	4,00			--
0004		VTVT00775		SCREW TCEI M 8X40 ZC.BK UNI5931	2,00			--
0005		LAFN03915		BUSHING NUOVO RUOTINO STRONG	2,00			--
0006		MPVR05290		ROLLER PARACOLPI	2,00			--
0007		VTRS13947		WASHER D. 8 INX UNI 6592	2,00			--
0008		VTDD15521		NUT M 8 INX A2 UNI 5588	2,00			--
0009		VTRS13947		WASHER D. 8 INX UNI 6592	2,00			--
0010		VTDD01695		NUT M 8 INX	2,00			--
0011		LAFN06723		PLATE -	1,00		03/2012	--
0011		LAFN07949		HEAD 70	1,00	03/2012		--
0012		VTRS15144		WASHER D. 6 INX GRW UNI 1751	14,00			--
0013		VTVT15906		SCREW TE 6X 12 A2 UNI 5739	14,00			--
0014		MFVR00212		DRIVE DISK	2,00			--
0015		VTRS13946		WASHER D. 8 X24 INX UNI 6593	2,00			--
0016		VTRS15146		WASHER D. 8 INX GRW UNI 1751	2,00			--
0017		VTVT13938		SCREW TE 8X20 UNI5739 INX	2,00			--
0018		MLML00328		SPRING -	2,00			--
0019		VTVT21887		SCREW TCB-TC 4X10 8112	2,00			--
0020		LAFN07236		DISTRIBUTOR 70	1,00			--
0021		VTDD01694		NUT M6 INOX	4,00			--
0022		VTDD01694		NUT M6 INOX	5,00			--
0023		VTRS13945		WASHER D. 6X18 INX UNI 6593	5,00			--
0024		VTDD00175		NUT M.6 TONDO FILET.4 PUNTE	8,00			--
0025		MPVR35582		RUBBER LAV.	8,00			--
0026		VTRS13945		WASHER D. 6X18 INX UNI 6593	5,00			--
0027		VTVT00392		SCREW M6x35 UNI5739 inox	5,00			--
0028		MPVR04746		FLAP 355X63 sp.4	2,00		03/2012	--
0028		MPVR05534		FLAP	1,00	03/2012		--
0029		MPVR05207		SHEET METAL PA.FLAP	2,00		03/2012	--
0029		MPVR05535		FLAP PRESS	1,00	03/2012		--
0030		VTRS13945		WASHER D. 6X18 INX UNI 6593	8,00			--
0031		VTVT15143		SCREW TE 6X16 UNI5739	8,00			--
0032		MOCC00328		MOTOR GEARBOX BRUSH 24V 380W	2,00			--
0032		MOCC00344		BRUSH -	4,00			--
0033		VTVR16617		KEY 6X 6X30 UNI 6604	2,00			--
0034		MPVR05270		FLAP DX	1,00	03/2012		--



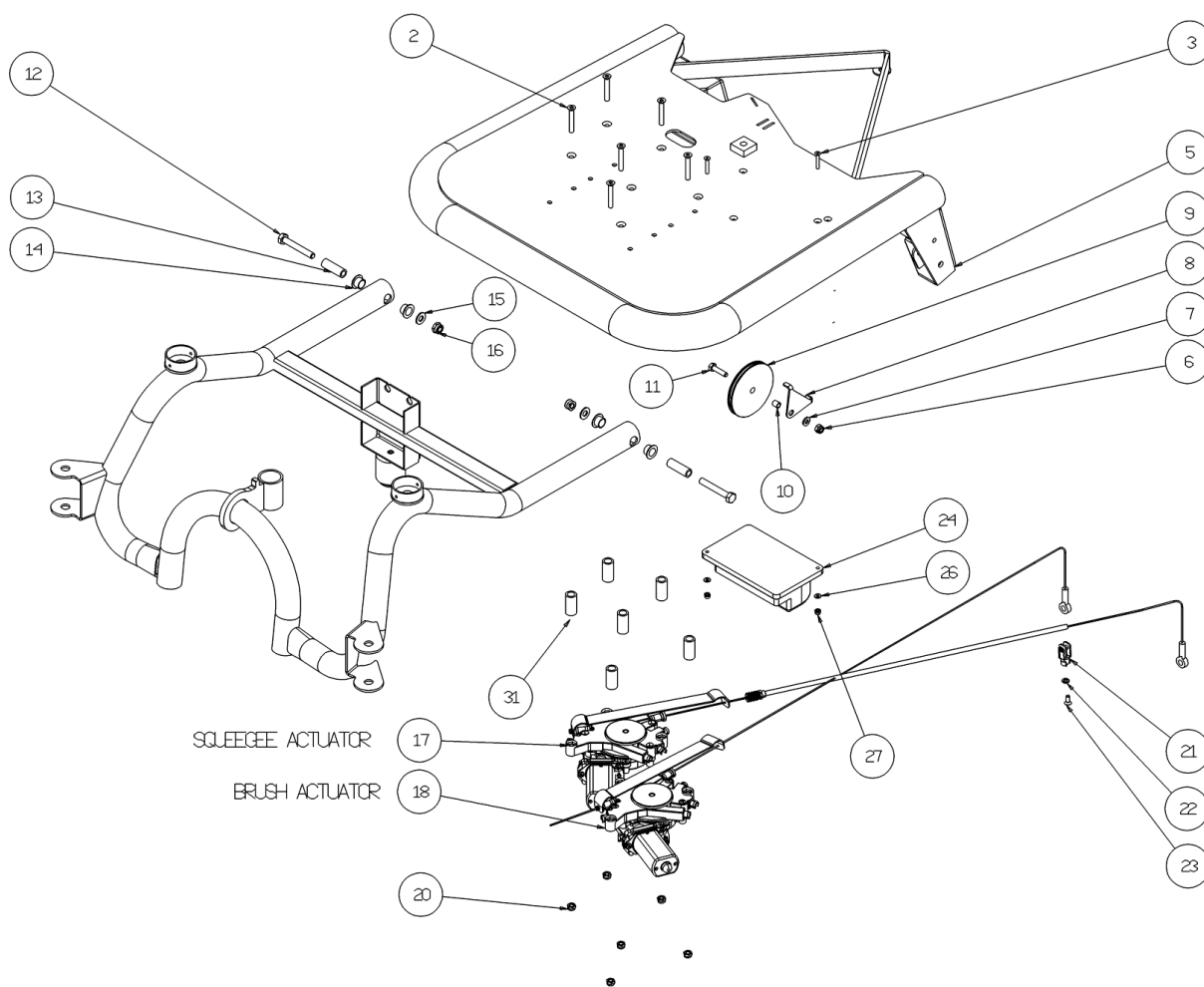
Ref. K	Part N.	Customer Part N.	Description	Qty	Validity:		Price
					From	To	
0035	MPVR05269		FLAP FLAP	1,00	03/2012		--



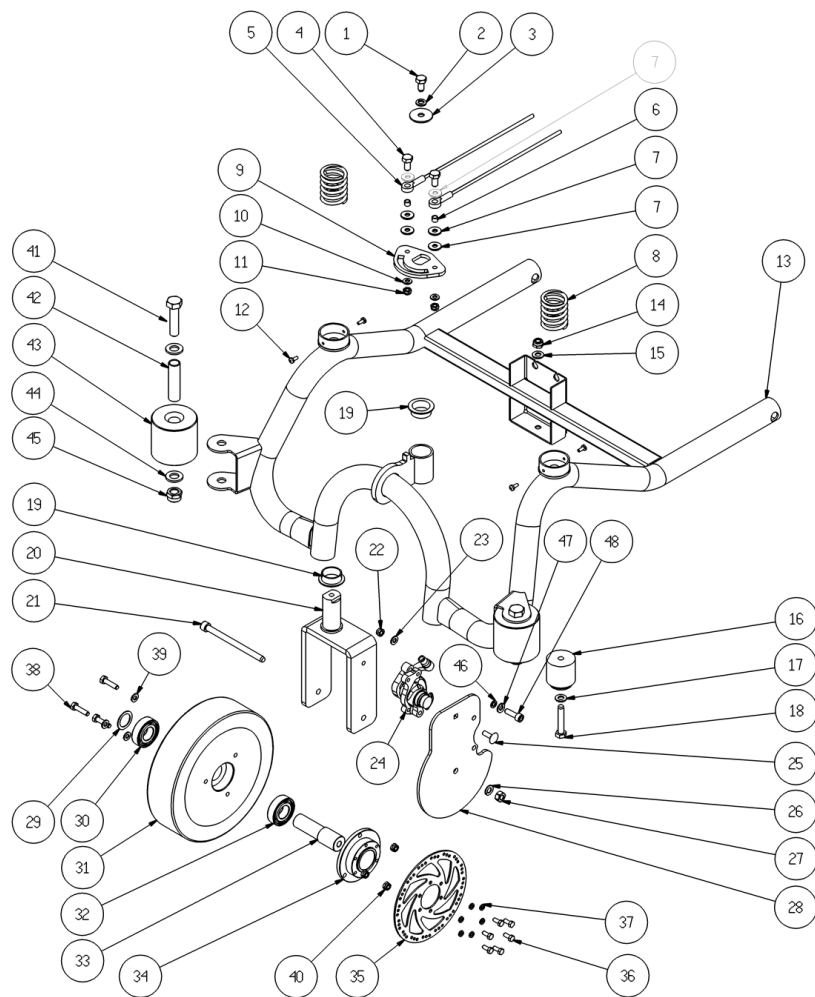
Ref.	K	Part N.	Customer Part N.	Description	Qty	Validity:		Price
						From	To	
0001		MERL00006		SWITCH RELAY R502 024 H3M 1NO 80A	1,00			--
0002		METT00053		BLOCK PORTA RELE'	2,00			--
0003		MERL00006		SWITCH RELAY R502 024 H3M 1NO 80A	1,00			--
0004		METT00085		CONTACTOR 100A	1,00			--
0005		LAFN07746		BRACKET -	1,00			--
0009		MEVR01707		CONNECTOR -	1,00			--
0010		MEVR01079		PLUG M CB50 A 600V RD.	1,00			--
0011		LAFN06409		SUPPORT -	1,00			--
0012		VTRS15913		WASHER D. 4 GROVER A2 UNI1751	2,00			--
0013		VTVT00814		SCREW TE M.4-25	2,00			--
0014		VTVT00671		SCREW TC- M.2-16 OTTONE	2,00			--
0015		MECI00334		MICROSWITCH V4	1,00			--
0016		VTDD08634		NUT M2	2,00			--
0017		MEVR00604		FUSE	1,00			--
0018		MEVR02887		FUSE 40A NST.	1,00			--
0019		MEVR00604		FUSE	1,00			--
0020		MEVR01332		FUSE-HOLDER	3,00			--
0021		LAFN07460		SUPPORT -	1,00			--
0022		MEVR01380		FUSE A LAMA	1,00			--
0023		MEVR01428		FUSE A LAMA 2 A. UNIVAL	1,00			--
0024		MEVR01134		CARRYNG BAG	1,00			--
0025		MEVR00030		FUSE-HOLDER 4 VIE COPERCHIO TRAS.	1,00			--
0026		MEVR44054		INSULATOR M6 20-CH17	1,00			--
0030		LAFN07803		PLATE -	1,00			--
0031		GUVR00295		GASKET -	1,00			--
0032		VTDD00147		NUT M 4 INX U.5588	2,00			--
0033		VTRS15913		WASHER D. 4 GROVER A2 UNI1751	2,00			--
0034		VTRS13750		WASHER D. 5X14 INX	4,00			--
0035		VTVT01300		SCREW TE M5X12 INOX	4,00			--



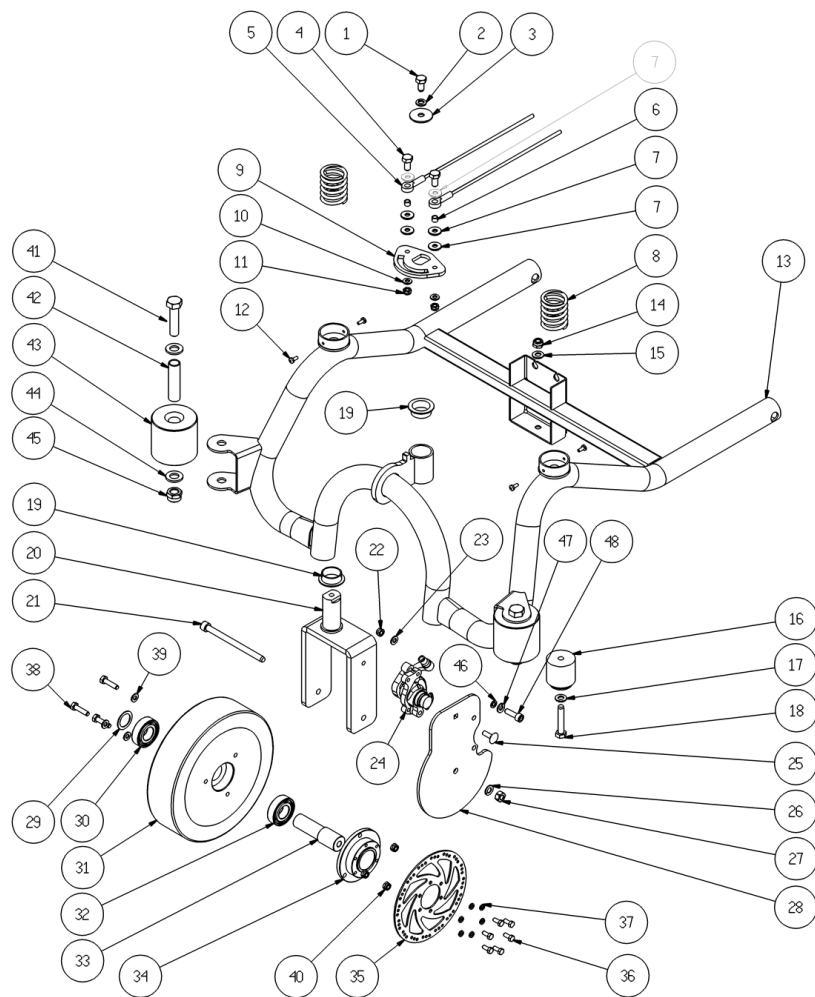
Ref.	K	Part N.	Customer Part N.	Description	Qty	Validity:		Price
						From	To	
0001		MPVR05784		ARM CT70 RIDER	1,00			--
0002		MPVR05783		TANK RECUPERO CT70 RIDER ECS	1,00			--
0003		MPVR05780		COVER	1,00			--
0004		LAFN35588		BATTERY SUPPORTLAV. BT	1,00			--
0005		MPVR05559		TANK SOLUTION CT70	1,00			--
0006		SPPV47749		BRUSH NYLON 0.8 D.340 BT 7000	2,00			--
0007		VTVT00858		SCREW 6X20	2,00			--
0008		VTVT01370		SCREW M6X35	2,00			--
0009		MPVR05687		SPACER -	2,00			--
0010		VTRS00245		WASHER D.6 UNI 6592 INOX	2,00			--
0011		VTDD01694		NUT M6 INOX	2,00			--
0012		MPVR05793		COVER -	1,00			--



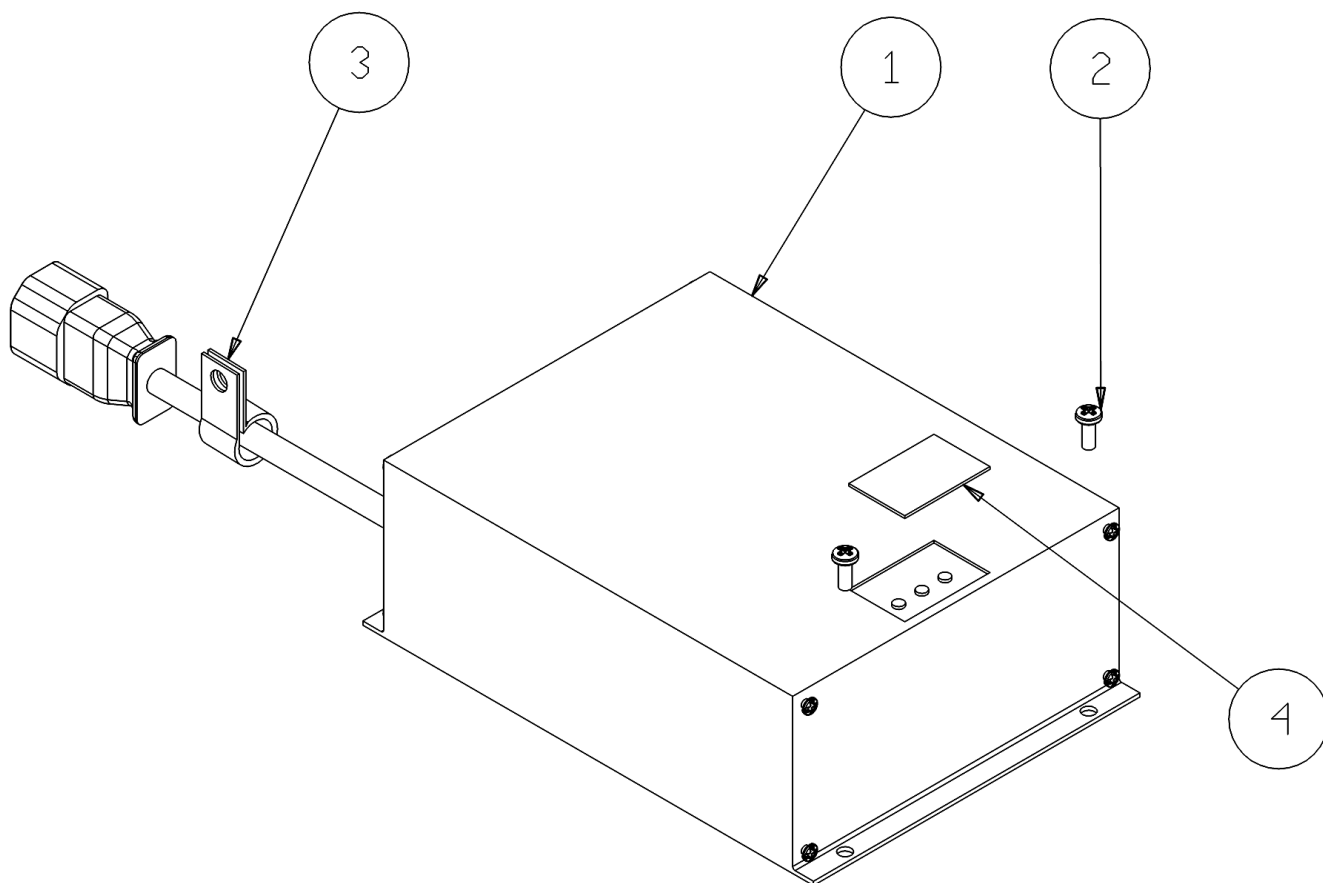
Ref.	K	Part N.	Customer Part N.	Description	Qty	Validity:		Price
						From	To	
0002		VTVT01689		SCREW TSEI 6X55	6,00			--
0003		VTVT00877		SCREW TSPEI M 4X20 INX UNI5933	2,00			--
0005		LAFN07857		PLANE -	1,00			--
0006		VTDD01694		NUT M6 INOX	1,00			--
0007		VTRS00245		WASHER D.6 UNI 6592 INOX	1,00			--
0008		LAFN07572		SHEET METAL PA.-	1,00			--
0009		MTPL00200		PULLEY 1450	1,00			--
0010		LAFN07571		SPACER -	1,00			--
0011		VTVT15141		SCREW TE M 6X 25 UNI 5739 INX	1,00			--
0012		VTVT00728		SCREW TE M. 8-55	2,00			--
0013		LAFN06926		PIN -	2,00			--
0014		CUVR00130		BEARING STRISCIAMENTO	4,00			--
0015		VTRS13947		WASHER D. 8 INX UNI 6592	2,00			--
0016		VTDD01695		NUT M 8 INX	2,00			--
0017		MOCC00365		ATUATOR SQUEEGEE CT70 RIDER	1,00			--
0018		MOCC00364		ATUATOR BRUSH HEAD 70 RIDER	1,00			--
0020		VTDD01694		NUT M6 INOX	6,00			--
0021		CMCV00001		FORK UNI 1676 M8X16	1,00			--
0021		CMCV75718		CLIP UNI 1676 M8	1,00			--
0022		VTRS15146		WASHER D. 8 INX GRW UNI 1751	1,00			--
0023		VTVT13938		SCREW TE 8X20 UNI5739 INX	1,00			--
0024		MECE00496		BOARD CT70 RIDER	1,00			--
0026		VTRS00515		WASHER D. 4 INX	2,00			--
0027		VTDD00055		NUT M 4 ATB A2	2,00			--
0031		MPVR05820		SPACER -	6,00			--



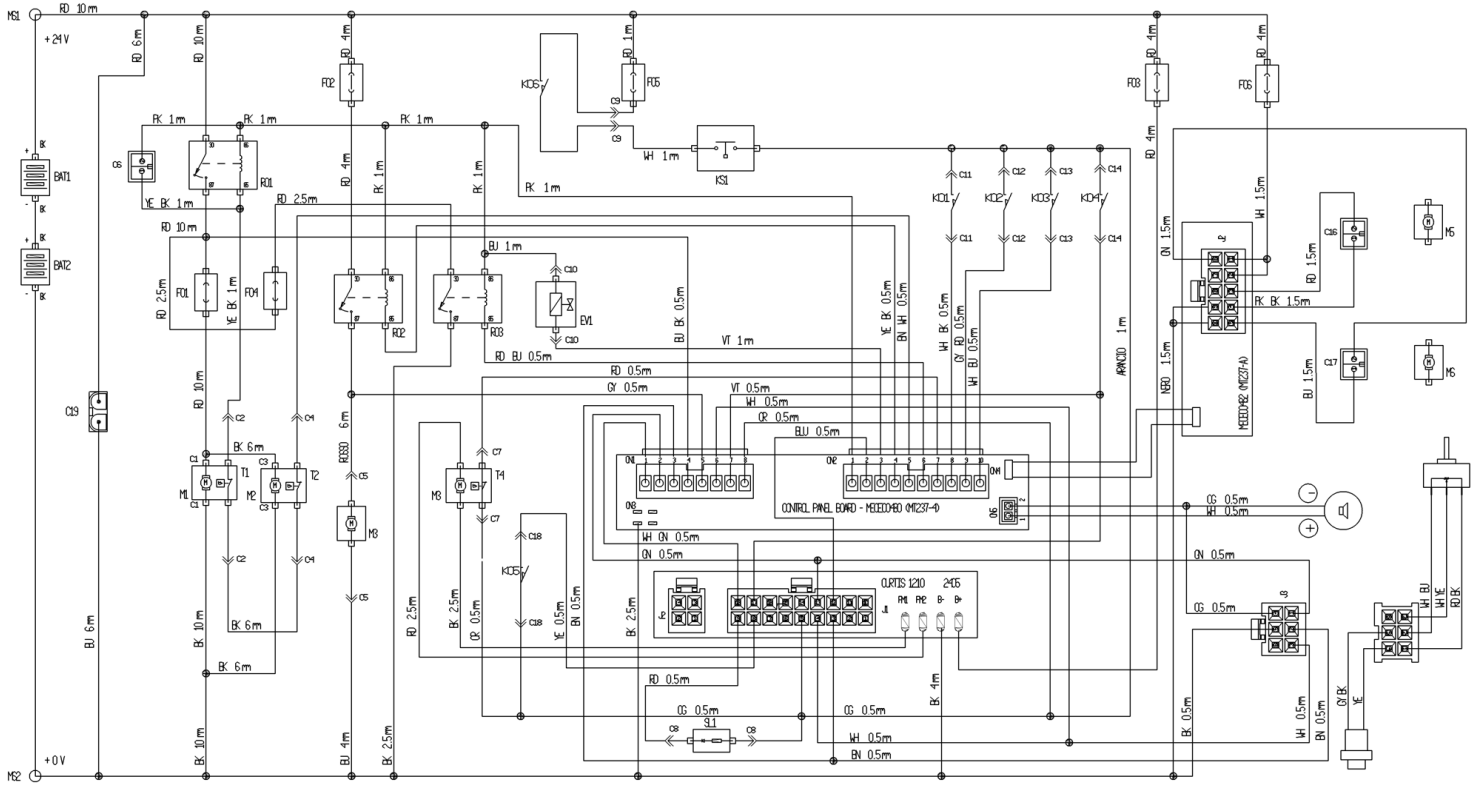
Ref.	K	Part N.	Customer Part N.	Description	Qty	Validity:		Price
						From	To	
0001		VTVT15916		SCREW TE M 8X 16 UNI 5739 A2	1,00			--
0002		VTRS15146		WASHER D. 8 INX GRW UNI 1751	1,00			--
0003		VTRS16323		WASHER D. 8 X32 UNI 6593 INX	1,00			--
0004		VTVT15141		SCREW TE M 6X 25 UNI 5739 INX	2,00			--
0005		CMCV00446		CABLE STEERING CT70 RIDER	2,00			--
0006		LAFN07876		SPACER -	2,00			--
0007		VTRS00245		WASHER D.6 UNI 6592 INOX	6,00			--
0008		MLML00324		SPRING -	2,00			--
0009		LAFN06912		PLATE -	1,00			--
0010		VTRS00245		WASHER D.6 UNI 6592 INOX	2,00			--
0011		VTDD01694		NUT M6 INOX	2,00			--
0012		VTVT01004		SCREW TC+ M4 X 10 TRILOBATA	4,00			--
0013		LAFN07858		TUBE -	1,00			--
0014		VTDD01695		NUT M 8 INX	1,00			--
0015		VTRS13947		WASHER D. 8 INX UNI 6592	1,00			--
0016		ABGO00017		PLUG D.40x50	1,00			--
0017		VTRS13947		WASHER D. 8 INX UNI 6592	1,00			--
0018		VTVT15917		SCREW TE M 8X50 INOX A2 UNI	1,00			--
0019		MPVR05408		BUSHING CB	2,00			--
0020		LAFN06913		BRACKET -	1,00			--
0021		VTVT67560		SCREW TCEI M8X110 INOX AISI 304	1,00			--
0022		VTDD01694		NUT M6 INOX	1,00			--
0023		VTRS00245		WASHER D.6 UNI 6592 INOX	1,00			--
0024		LAFN07569		BRAKE -	1,00			--
0025		VTVT00745		SCREW TTQST M 6X 20 UNI5732 IX	1,00			--
0026		VTRS15146		WASHER D. 8 INX GRW UNI 1751	1,00			--
0027		VTDD15521		NUT M 8 INX A2 UNI 5588	1,00			--
0028		LAFN07567		PLATE -	1,00			--
0029		VTRS00032		THICKNESS 20,2X28X1 DIN 988	1,00			--
0030		CUVR19846		BALL BEARING 6004 2RS1	1,00			--
0031		RTRT00530		WHEEL D200	1,00			--
0032		CUVR19846		BALL BEARING 6004 2RS1	1,00			--
0033		LAFN06914		PIN -	1,00			--
0034		LAFN07570		SPACER -	1,00			--
0035		LAFN07569		BRAKE -	1,00			--
0036		VTVT01300		SCREW TE M5X12 INOX	6,00			--
0037		VTRS15908		WASHER D. 5 INX GRW UNI 1751	6,00			--
0038		VTVT00714		SCREW 6X20	3,00			--
0039		VTRS00245		WASHER D.6 UNI 6592 INOX	3,00			--



Ref. K	Part N.	Customer Part N.	Description	Qty	Validity:		Price
					From	To	
0040	VTDD01694		NUT M6 INOX	3,00			--
0041	VTVT01686		SCREW TE M12X90	2,00			--
0042	LAFN08803		SPACER -	2,00			--
0043	MPVR05607		ROLLER -	2,00			--
0044	VTRS15978		WASHER D.12X24 UNI 6592 INX	2,00			--
0045	VTDD00176		NUT M.12 INOX A2 BASSO AUTOB.	2,00			--
0046	VTRS00245		WASHER D.6 UNI 6592 INOX	2,00			--
0047	VTRS15144		WASHER D. 6 INX GRW UNI 1751	2,00			--
0048	VTVT00717		SCREW TCEI M. 6-16	2,00			--



Ref.	K	Part N.	Customer Part N.	Description	Qty	Validity:		Price
						From	To	
0001		BACA00148		BATTERY-CHARGERCHARGER CBHD1-XR 24V 12A	1,00			--
0002		VTVT01004		SCREW TC+ M4 X 10 TRILOBATA	4,00			--
0003		FSVR00043		CLAMP d.16	1,00			--
0004		MPVR05793		COVER -	1,00			--



CONNECTORS: VIEW FROM WIRE SIDE

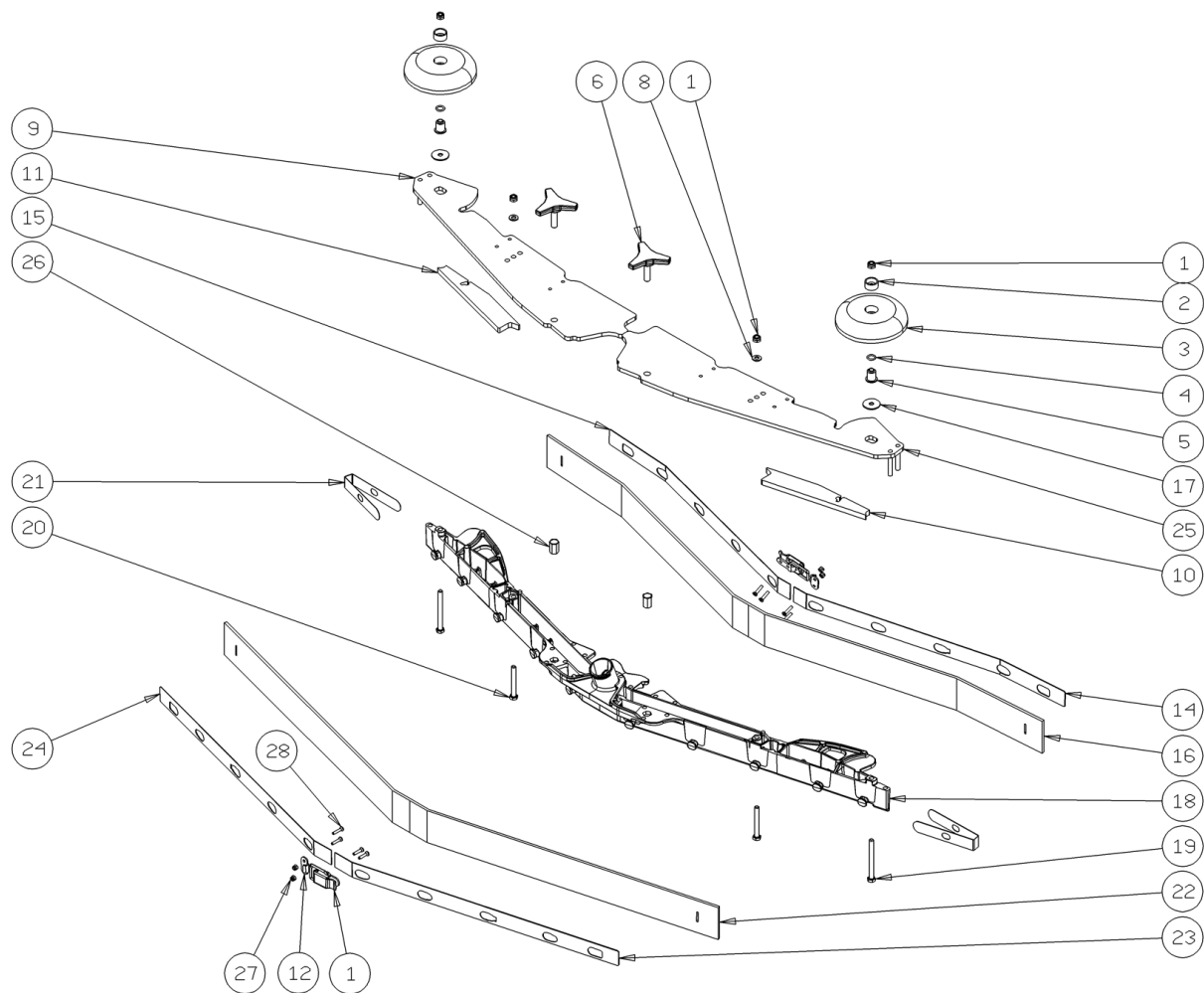
BK	BLACK	NERO
BN	BROWN	MARRONE
CC	CORNF	ARANCIONE
CG	GREEN	VERDE
GR	GRAY	GRIGIO
RD	RED	ROSSO
BL	BLUE	AZZURRO
VI	VIOLET	VIOLETTA
OR	ORANGE	ARANCIONE
WH	WHITE	BIANCO
PK	PINK	ROSA
LD	LIGHT GREEN	VERDE CHIARO
LU	LIGHT BLUE	AZZURRO CHIARO

Ref.	K	Part N.	Customer Part N.	Description	Qty	Validity: From To	Price
EV1		MEEV00018		SOLENOID VALVE	1,00		--
F01		MEVR00604		FUSE	1,00		--
F02		MEVR02887		FUSE 40A NST.	1,00		--
F03		MEVR00604		FUSE	1,00		--
F04		MEVR02887		FUSE 40A NST.	1,00		--
F05		MEVR01428		FUSE A LAMA 2 A. UNIVAL	1,00		--
F06		MEVR01134		CARRYNG BAG	1,00		--
K01		MEVR00148		DASHBOARD SEDILE	1,00		--
K02		MECI00516		SENSOR DI LIVELLO ORIZZONTALE	1,00		--
K03		MECI00516		SENSOR DI LIVELLO ORIZZONTALE	1,00		--
K04		MECI30499		SWITCH 10A - 250VAC	1,00		--
K05		MECI00560		SENSOR SMP14-C-001	1,00		--
K06		MECI00334		MICROSWITCH V4	1,00		--
KS1		MECI00402		BUTTON A FUNGO	1,00		--
M1		MOCC00328		MOTOR GEARBOX BRUSH 24V 380W	1,00		--
M2		MOCC00328		MOTOR GEARBOX BRUSH 24V 380W	1,00		--
M3		MOCC00342		VACUUM CLEANER 24V	1,00		--
M4		MOCC00395		MOTOR TRACTION 24V 200W 150G	1,00		--
M5		MOCC00364		ATUATOR BRUSH HEAD 70 RIDER	1,00		--
M6		MOCC00365		ATUATOR SQUEEGEE CT70 RIDER	1,00		--
R01		METT00085		CONTACTOR 100A	1,00		--
R02		MERL00006		SWITCH RELAY R502 024 H3M 1NO 80A	1,00		--
R03		MERL00006		SWITCH RELAY R502 024 H3M 1NO 80A	1,00		--

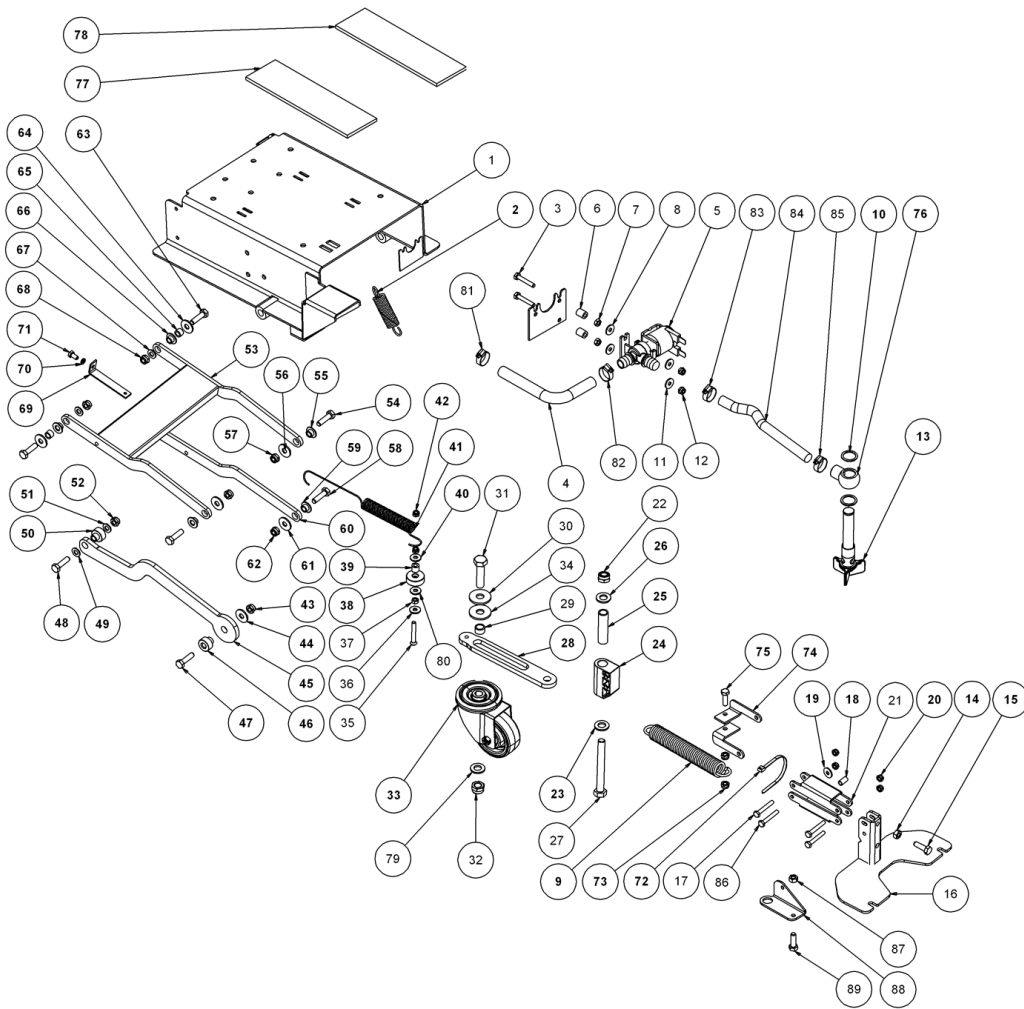
COMPONENTS	
F01	FUSE- BRUSH MOTORS (80 A)
F02	FUSE-VACUUM MOTOR (40 A)
F03	FUSE-CURTIS TRACTION MOTORS (80 A)
F04	FUSE-BRUSHES RELEASE (40 A)
F05	FUSE CURTIS-CONTROL PANEL (2 A)
F06	FUSE ACTUATORS (20 A)
R01	RELAY- BRUSH MOTORS
R02	RELAY- VACUUM MOTOR
R03	RELAY- TRACTION MOTOR
R04	RELAY- BRUSH RELEASE
E01	ELECTRO-VALVE
KS1	GENERAL KEY
K01	SWITCH- SEAT
K02	SWITCH- RECOVERY TANK LEVEL (MAX)
K03	SWITCH- SOLUTION TANK LEVEL (MIN)
K04	SWITCH- FORWARD / REWARD
K05	SWITCH STEERING
K06	SWITCH- BATTERY RECHARGE SAFETY
M1	MOTOR- BRUSH 1
M2	MOTOR- BRUSH 2
M3	MOTOR- VACUUM
M4	MOTOR- TRACTION
M5	BRUSH ACTUATORS
M6	SQUEEGEE ACTUATORS
T1	THERMIC SWITCH BRUSH MOTOR 1
T2	THERMIC SWITCH BRUSH MOTOR 2
T4	THERMIC SWITCH TRACTION MOTOR
J1	CONN.CONTROLLO CURTIS
J2	CONN. SO-DEA ATTUATORI
J3	CONN. ACCELERATORE + CLACSON
PM1	CONN.FASTON MOTORE 1 CURTIS
PM2	CONN.FASTON MOTORE 2 CURTIS
B+	CONN.FASTON POSITIVO BATTERIA CURTIS
B-	CONN.FASTON NEGATIVO BATTERIA CURTIS
SL1	STATUS LED CURTIS

COMPONENTS	
M51	CONNECTOR- BATTERY POSITIVE
M52	CONNECTOR- BATTERY NEGATIVE
C1	CONNECTOR- BRUSH MOTOR 1
C2	CONNECTOR- THERMIC SW. BRUSH MOTOR 1
C3	CONNECTOR- BRUSH MOTOR 2
C4	CONNECTOR- THERMIC SW. BRUSH MOTOR 2
C5	CONNECTOR- VACUUM MOTOR
C6	CONNECTOR- "OHM COSE" ACCESSORY
C7	CONNECTOR THERMIC SWITCH+TRACTION MOTOR
C8	CONNECTOR- PRESSURE BOARD
C9	CONNECTOR- BATTERY RECHARGE SAFETY
C10	CONNECTOR- BOARD ELECTROVALVE
C11	CONNECTOR- HINO LEVER
C12	CONNECTOR- RECOVERY TANK LEVEL (MAX)
C13	CONNECTOR- SOLUTION TANK LEVEL (MIN)
C14	CONNECTOR- FORWARD / REWARD
C15	CONNECTOR- EXTERNAL BATT CHARGER
C16	CONNECTOR- TRACTION MOTOR
C17	CONNECTOR-SQUEEGEE ACTUATORS
C18	SWITCH STEERING
C19	CONNECTOR- BATTERY RECHARGE
ON1	CONNECTOR- CONTROL PANEL BOARD
ON2	CONNECTOR- CONTROL PANEL BOARD
ON3	CONNECTOR- CONTROL PANEL BOARD
ON4	CONNECTOR- CONTROL PANEL BOARD

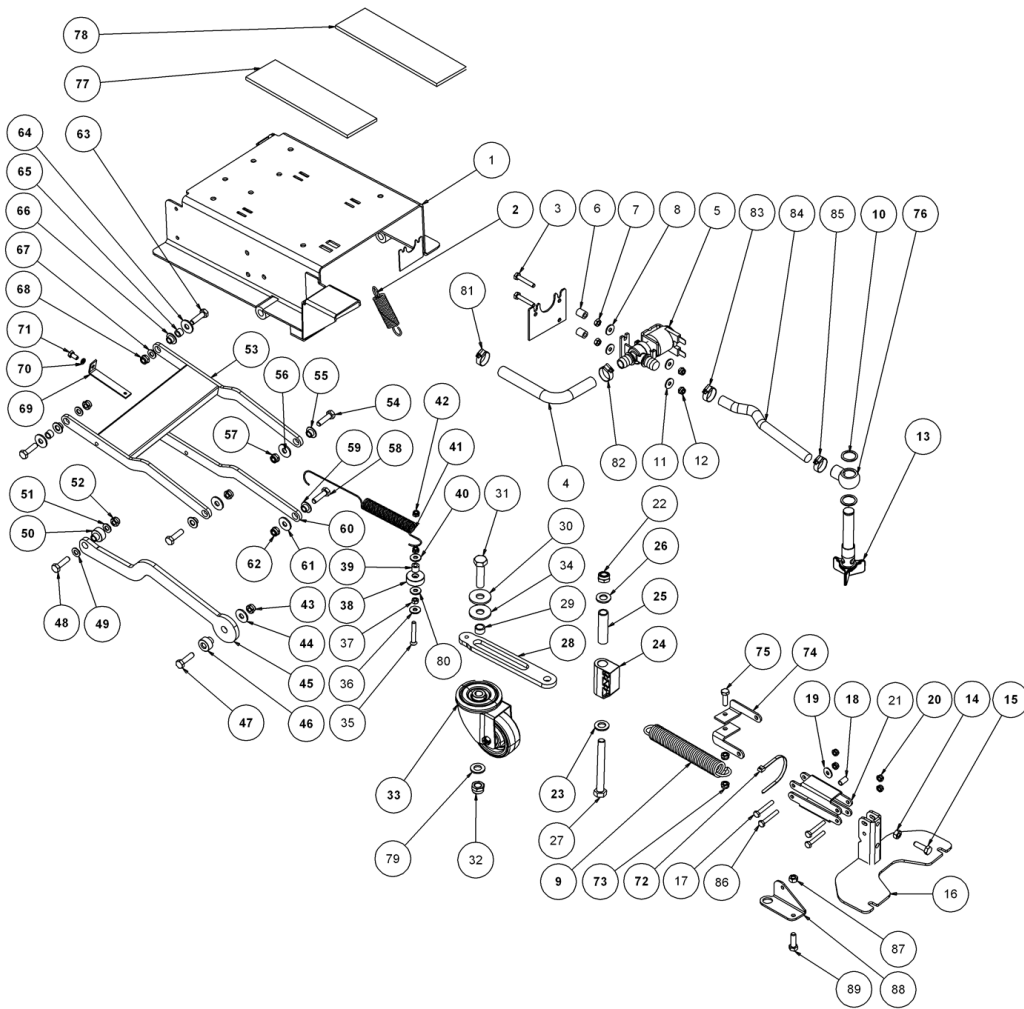
Ref.	K	Part N.	Customer Part N.	Description	Qty	Validity: From To	Price
EV1		MEEV00018		SOLENOID VALVE	1,00		--
F01		MEVR00604		FUSE	1,00		--
F02		MEVR02887		FUSE 40A NST.	1,00		--
F03		MEVR00604		FUSE	1,00		--
F04		MEVR02887		FUSE 40A NST.	1,00		--
F05		MEVR01428		FUSE A LAMA 2 A. UNIVAL	1,00		--
F06		MEVR01134		CARRYNG BAG	1,00		--
K01		MEVR00148		DASHBOARD SEDILE	1,00		--
K02		MECI00516		SENSOR DI LIVELLO ORIZZONTALE	1,00		--
K03		MECI00516		SENSOR DI LIVELLO ORIZZONTALE	1,00		--
K04		MECI30499		SWITCH 10A - 250VAC	1,00		--
K05		MECI00560		SENSOR SMP14-C-001	1,00		--
K06		MECI00334		MICROSWITCH V4	1,00		--
KS1		MECI00402		BUTTON A FUNGO	1,00		--
M1		MOCC00328		MOTOR GEARBOX BRUSH 24V 380W	1,00		--
M2		MOCC00328		MOTOR GEARBOX BRUSH 24V 380W	1,00		--
M3		MOCC00342		VACUUM CLEANER 24V	1,00		--
M4		MOCC00395		MOTOR TRACTION 24V 200W 150G	1,00		--
M5		MOCC00364		ATUATOR BRUSH HEAD 70 RIDER	1,00		--
M6		MOCC00365		ATUATOR SQUEEGEE CT70 RIDER	1,00		--
R01		METT00085		CONTACTOR 100A	1,00		--
R02		MERL00006		SWITCH RELAY R502 024 H3M 1NO 80A	1,00		--
R03		MERL00006		SWITCH RELAY R502 024 H3M 1NO 80A	1,00		--



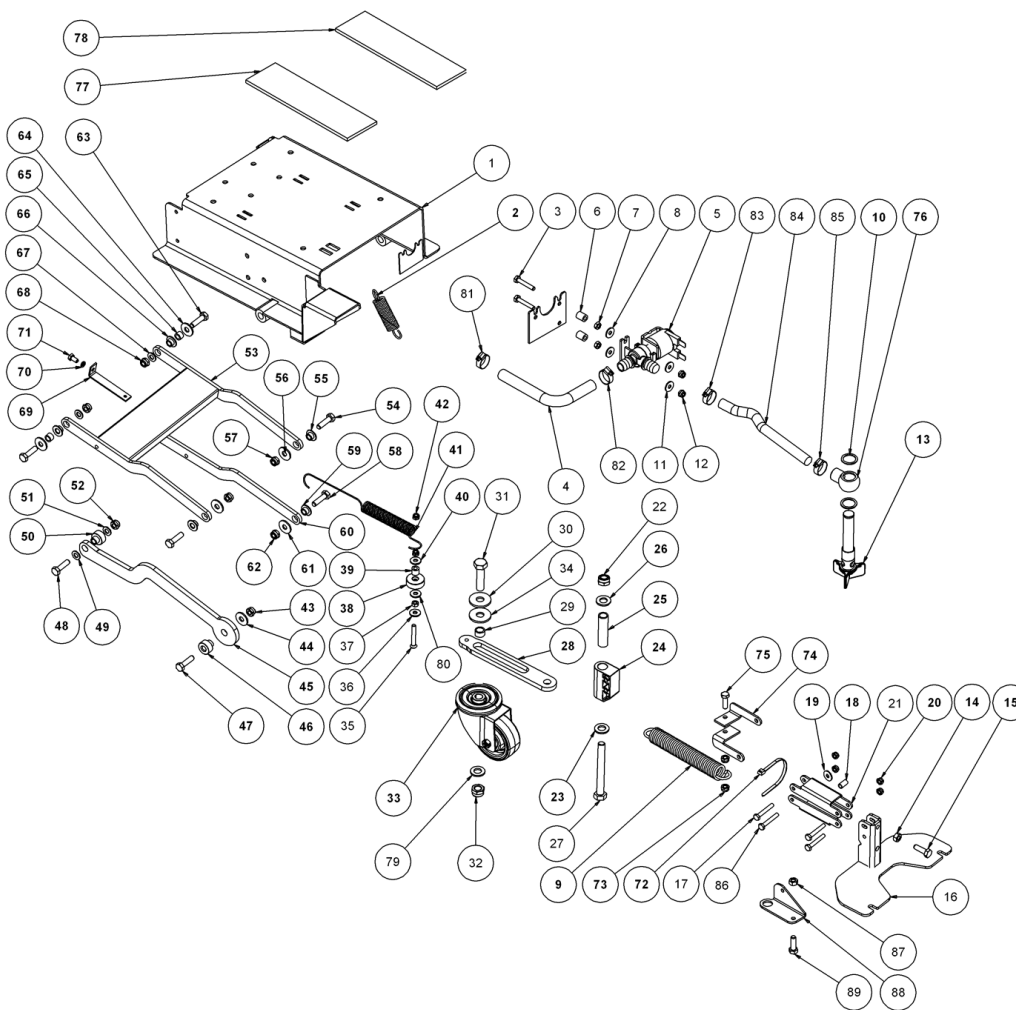
Ref.	K	Part N.	Customer Part N.	Description	Qty	Validity:		Price
						From	To	
0001		LAFN09302		CLOSURE -	2,00	09/2013		--
0002		MPVR49229		BUSHING SHK	2,00			--
0003		MPVR05290		ROLLER PARACOLPI	2,00			--
0004		GUGO00164		GASKET	2,00			--
0005		LAFN04100		SPACER PER RUOTINO PARACOLPI	2,00			--
0006		MPVR06003		KNOB AISI 304	2,00		03/2013	--
0006		MPVR06004		KNOB AISI 304	2,00	03/2013		--
0008		VTRS00245		WASHER D.6 UNI 6592 INOX	2,00			--
0009		LAFN09014		PLATE -	1,00			--
0010		GUVR00303		GASKET -	1,00			--
0011		GUVR00302		GASKET -	1,00			--
0012		LAFN09301		SOCKET -	2,00	09/2013		--
0014		LAFN08952		BRACKET -	1,00		09/2013	--
0014		LAFN09284		SHEET METAL PA.-	1,00	09/2013		--
0015		LAFN08953		BRACKET -	1,00		09/2013	--
0015		LAFN09285		SHEET METAL PA.-	1,00	09/2013		--
0016		MPVR05804		RUBBER FRONT SQUEEGEE L PU	1,00			--
0017		VTRS16937		WASHER 6x24 INOX UNI 6593	2,00			--
0018		KTRI02049		BODY SQUEEGEE PRESSOFUSO "L"	1,00			--
0019		VTVT00841		SCREW TE M 6X65 UNI 5739 INX	2,00			--
0020		VTVT15515		SCREW TE M 6X 50 INOX A2	2,00			--
0021		MPVR05898		CLOSURE L	2,00			--
0022		MPVR05806		RUBBER REAR SQUEEGEE L PU	1,00			--
0023		LAFN08954		BRACKET -	1,00		09/2013	--
0023		LAFN09286		SHEET METAL PA.-	1,00	09/2013		--
0024		LAFN08955		BRACKET -	1,00		09/2013	--
0024		LAFN09287		SHEET METAL PA.-	1,00	09/2013		--
0025		LAFN09015		PLATE -	1,00			--
0026		VTVR00565		INSERT	2,00			--
0027		VTDD00210		NUT M 3 INOX	8,00	09/2013		--
0028		VTVT01070		SCREW TSTC M3X8	8,00	09/2013		--



Ref.	K	Part N.	Customer Part N.	Description	Qty	Validity:		Price
						From	To	
0001		LAFN06923		BASE	1,00			--
0002		MLML00325		SPRING	1,00			--
0003		VTVT00814		SCREW TE M.4-25	2,00			--
0004		TBFX48011		TUBE FLEX D.12X3 ARMORV.PVC TR	0,70			--
0005		MEEV00036		SOLENOID VALVE HOLE 8mm CLEANTIME	1,00			--
0006		MPVR05911		SPACER	2,00			--
0007		VTDD00147		NUT M 4 INX U.5588	2,00			--
0008		VTRS00017		WASHER ACCIAIO INOX 4X12	2,00			--
0009		MLML31105		SPRING D. 17.5 X105 N36	1,00			--
0010		VTRS00567		WASHER 1/2	2,00			--
0011		VTRS00017		WASHER ACCIAIO INOX 4X12	2,00			--
0012		VTDD00055		NUT M 4 ATB A2	2,00			--
0013		MPVR05221		FILTER COMPLETO	1,00		02/2013	--
0013		MPVR06303		FILTER CT40-70-90	1,00	02/2013		--
0014		VTDD15521		NUT M 8 INX A2 UNI 5588	1,00			--
0015		VTVT00410		SCREW TE M8x35 UNI5739 INOX	1,00			--
0016		LAFN07560		PLATE	1,00			--
0017		VTVT15145		SCREW TE 6X40 UNI5739 INX	3,00			--
0018		LAFN06898		SPACER 6-8 h15	1,00			--
0019		VTRS13945		WASHER D. 6X18 INX UNI 6593	1,00			--
0020		VTDD01694		NUT M6 INOX	4,00			--
0021		LAFN05853		LEVER ARM SOLLEVAMENTO TERGI	2,00			--
0022		VTDD00176		NUT M.12 INOX A2 BASSO AUTOB.	1,00			--
0023		VTRS15978		WASHER D.12X24 UNI 6592 INX	1,00			--
0024		MPVR04734		BLOCK TERGI	1,00			--
0025		LAFN09006		PIN	1,00			--
0026		VTRS15978		WASHER D.12X24 UNI 6592 INX	1,00			--
0027		VTVT01686		SCREW TE M12X90	1,00			--
0028		LAFN07767		ARM	1,00			--
0029		LAFN07768		SPACER	1,00			--
0030		VTRS09142		WASHER D.12 X 36	1,00			--
0031		VTVT28884		SCREW TE M 12X 50 UNI 5737 INX	1,00			--
0032		VTDD00176		NUT M.12 INOX A2 BASSO AUTOB.	1,00			--
0033		RTRT00395		WHEEL CASTOR D.80X25 PU	1,00			--
0034		MPVR05684		WASHER	1,00			--
0035		VTVT26818		SCREW M6x45 TSPEI UNI5933	1,00			--
0036		VTRS13945		WASHER D. 6X18 INX UNI 6593	1,00			--
0037		VTDD15520		NUT M 6 A2 UNI 5588 INX	1,00			--
0038		MPVR05637		BUSHING	1,00			--



Ref.	K	Part N.	Customer Part N.	Description	Qty	Validity: From To	Price
0039		LAFN04187		SPACER PER RIDUTTORE	1,00		--
0040		VTRS13945		WASHER D. 6X18 INX UNI 6593	1,00		--
0041		MLML48789		SPRING TR RHN	1,00		--
0042		VTDD01694		NUT M6 INOX	2,00		--
0043		VTDD01695		NUT M 8 INX	1,00		--
0044		VTRS13946		WASHER D. 8 X24 INX UNI 6593	1,00		--
0045		LAFN06924		LEVER -	1,00		--
0046		LAFN04190		BUSHING PARALLELOGR.TEST.GR.	1,00		--
0047		VTVT00410		SCREW TE M8x35 UNI5739 INOX	1,00		--
0048		VTVT00429		SCREW TE M 8X 40 INX UNI 5737	1,00		--
0049		VTRS13947		WASHER D. 8 INX UNI 6592	1,00		--
0050		LAFN04190		BUSHING PARALLELOGR.TEST.GR.	1,00		--
0051		VTRS13947		WASHER D. 8 INX UNI 6592	1,00		--
0052		VTDD01695		NUT M 8 INX	1,00		--
0053		LAFN07563		ARM -	1,00		--
0054		VTVT15907		SCREW TE 8X25 UNI5739 INX	1,00		--
0055		LAFN06391		BUSHING PARALLELOGRAMMA	1,00		--
0056		VTRS13946		WASHER D. 8 X24 INX UNI 6593	1,00		--
0057		VTDD01695		NUT M 8 INX	1,00		--
0058		VTVT15907		SCREW TE 8X25 UNI5739 INX	1,00		--
0059		LAFN06391		BUSHING PARALLELOGRAMMA	1,00		--
0060		LAFN06389		ARM PARALLELOGRAMMA	1,00		--
0061		VTRS13946		WASHER D. 8 X24 INX UNI 6593	1,00		--
0062		VTDD01695		NUT M 8 INX	1,00		--
0063		VTVT13937		SCREW TE M 8X 30 INX UNI 5739	2,00		--
0064		VTRS13946		WASHER D. 8 X24 INX UNI 6593	2,00		--
0065		RCDS34717		BUSHING D. 9X12X 8.3	2,00		--
0066		LAFN06391		BUSHING PARALLELOGRAMMA	2,00		--
0067		VTRS13947		WASHER D. 8 INX UNI 6592	2,00		--
0068		VTDD01695		NUT M 8 INX	2,00		--
0069		LAFN07766		TIE ROD -	1,00		--
0070		VTRS15144		WASHER D. 6 INX GRW UNI 1751	1,00		--
0071		VTVT15906		SCREW TE 6X 12 A2 UNI 5739	1,00		--
0072		FSVR00248		CLAMP -	1,00		--
0073		VTDD01694		NUT M6 INOX	2,00		--
0074		LAFN07781		BRACKET -	2,00		--
0075		VTVT13939		SCREW TE 6X20 UNI5739 INX	1,00		--
0076		LAFN07783		CONNECTOR -	1,00		--
0077		MPVR05744		THICKNESS -	1,00		--



Ref.	K	Part N.	Customer Part N.	Description	Qty	Validity:		Price
						From	To	
0078		MPVR05745		THICKNESS -	1,00			--
0079		VTRS15978		WASHER D.12X24 UNI 6592 INX	1,00			--
0080		VTRS13945		WASHER D. 6X18 INX UNI 6593	1,00			--
0081		FSVR00255		CLAMP -	1,00			--
0082		FSVR00255		CLAMP -	1,00			--
0083		FSVR00255		CLAMP -	1,00			--
0084		TBFX48011		TUBE FLEX D.12X3 ARMORV.PVC TR	0,16			--
0085		FSVR00256		CLAMP -	1,00			--
0086		VTVT01684		SCREW TE 6X45	1,00			--
0087		VTDD15521		NUT M 8 INX A2 UNI 5588	1,00			--
0088		LAFN08999		BRACKET -	1,00			--
0089		VTVT13938		SCREW TE 8X20 UNI5739 INX	1,00			--