

Integrated Professional Cleaning



IPC Foma



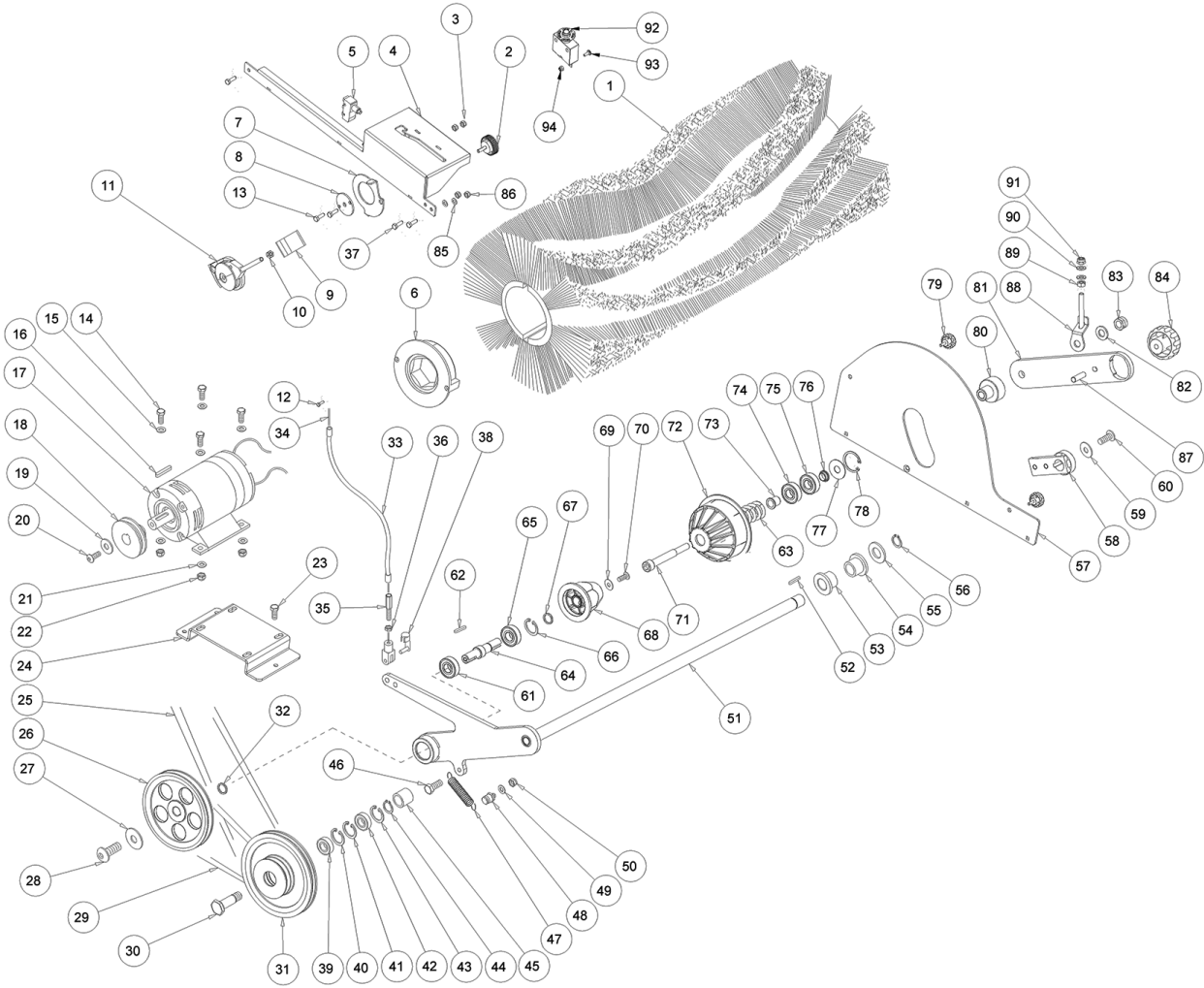
IPC Sverige

Spare Parts List

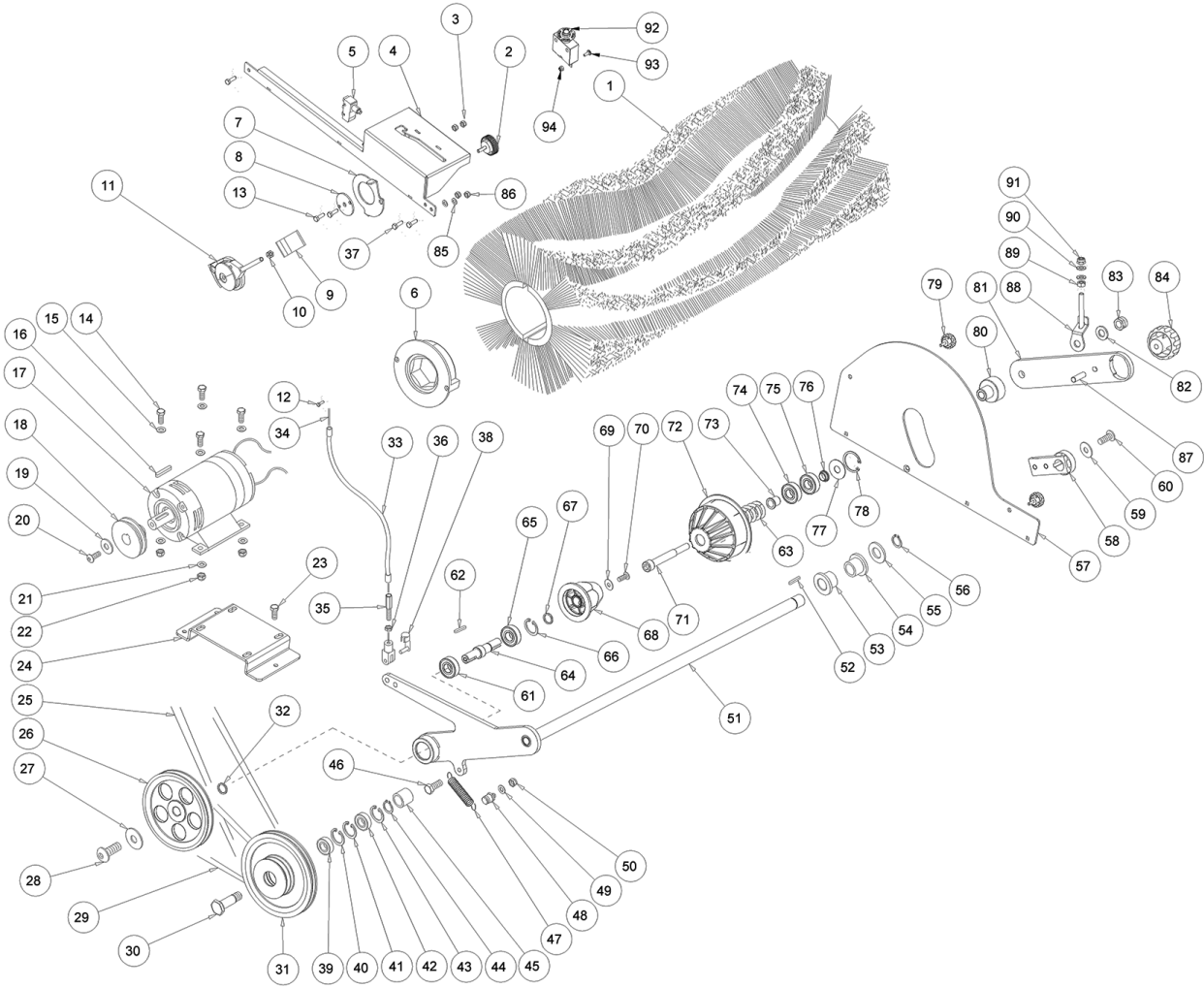
FOMA NORGE AS

Ref: MSUB00614

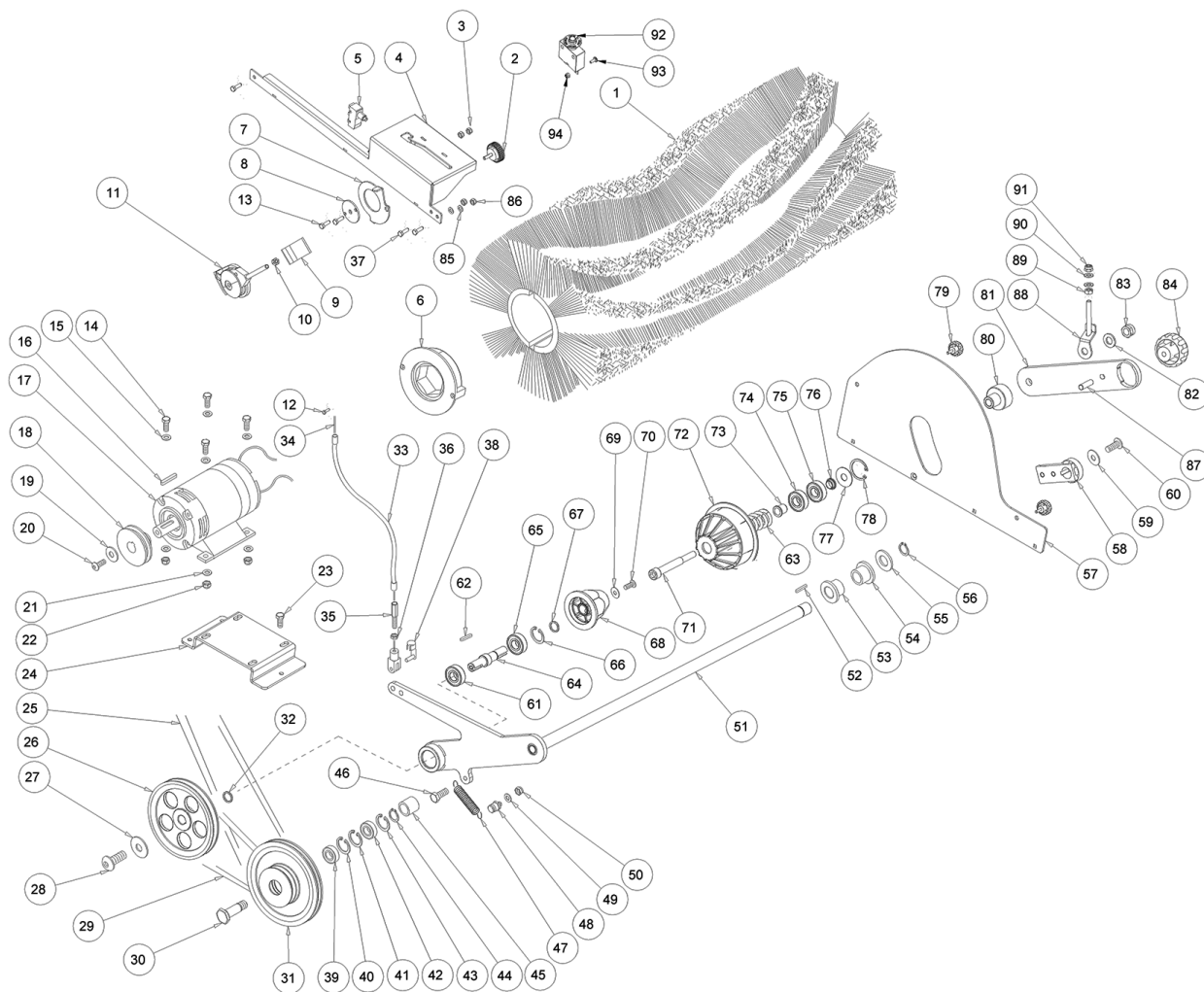
Model: 1250 DP P. F.PAN. GR/VE 2SP IPC



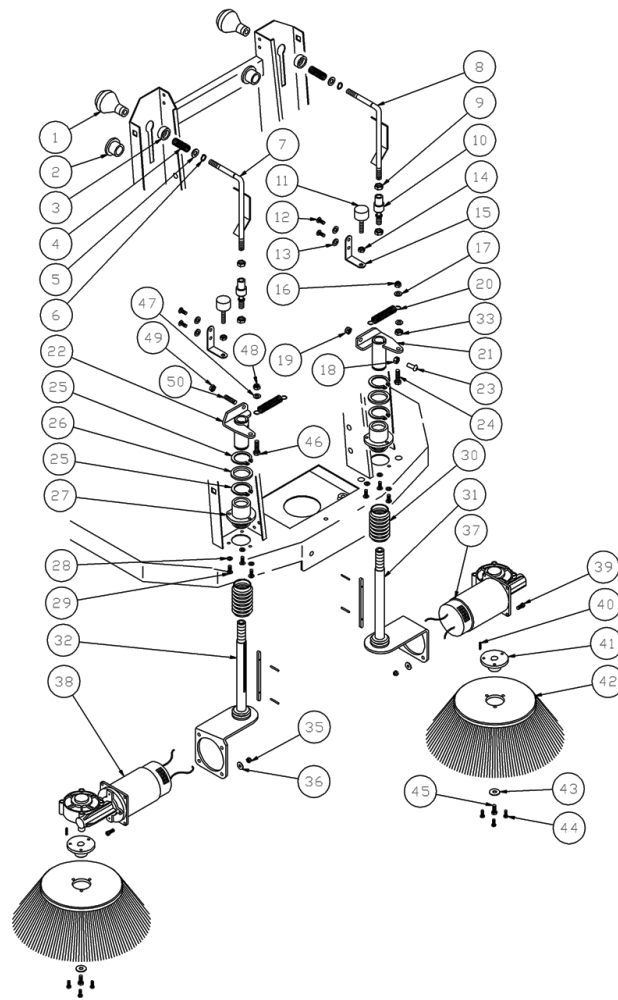
Ref.	K	Part N.	Customer Part N.	Description	Qty	Validity: From To	Price
0001		SPPV75791		CENTRAL BRUSH D.280 X680 SW1000 PPL	1,00		--
0002		VTVT00125		HANDWHEEL D.40 M6X15	1,00		--
0003		VTDD00491		NUT M 6 TEF	2,00		--
0004		LAFN08182		LEVER -	1,00		--
0005		MECI75801		MICROSWITCH TK	1,00		--
0006		LAFN45099		DRIVE DISK TK1400	1,00		--
0007		LAFN08186		SHEET METAL PA.-	1,00		--
0008		LAFN08176		THICKNESS -	1,00		--
0009		CMCV33356		MANOEUVRE LEVERINOX C/POM.SX NRO	1,00		--
0010		VTDD00483		NUT M 8 ZIN UNI 5588	1,00		--
0011		CMCV33356		MANOEUVRE LEVERINOX C/POM.SX NRO	1,00		--
0012		VTVT34115		SCREW TE M 5X 10 UNI 5739	1,00		--
0013		VTVT00444		SCREW TE 6X20 UNI5739	2,00		--
0014		VTVT00448		SCREW TE 8X30 UNI5739	4,00		--
0015		VTRS00504		WASHER D. 8 TE ZC. UNI 6592	4,00		--
0016		VTVR13165		KEY 5X5X20	1,00		--
0017		MOCC87164		MOTOR MP80 5/2 24V 3500G	1,00		--
0018		MTPL00215		PULLEY -	1,00		--
0019		VTRS63242		WASHER D. 6 X24 ZC	1,00		--
0020		VTVT01531		SCREW TE 6X 16 UNI 5739	1,00		--
0021		VTRS00504		WASHER D. 8 TE ZC. UNI 6592	4,00		--
0022		VTDD00124		NUT M 8 BASSO	4,00		--
0023		VTVT62920		SCREW TE F/ROND. M 6X 16 ZB	3,00		--
0024		LAFN08171		SHEET METAL PA.TK1000	1,00		--
0025		MTCG00139		BELT -	1,00		--
0026		MTPL75998		PULLEY SW1000	1,00		--
0027		VTRS00513		WASHER D. 8 X32 P.	1,00		--
0028		VTVT87271		SCREW TBEI M 8X 16 ISO 7380	1,00		--
0029		MTCG00138		BELT -	1,00		--
0030		LAFN00465		PIN FISSAG.PULEGGIA RINVIO	1,00		--
0031		MTPL75999		PULLEY SWEPP1000ET	1,00		--
0032		LAFN06823		SPACER L.14	1,00		--
0033		CMCV75904		BRAKE SHEATH TK 1000E/S	1,00		--
0034		CMCV00451		CABLE -	1,00		--
0035		LAFN76659		PIN -	1,00		--
0036		VTDD86871		NUT M7 UNI5589	1,00		--
0037		VTVT62920		SCREW TE F/ROND. M 6X 16 ZB	3,00		--
0038		CMCV75718		CLIP UNI 1676 M8	1,00		--
0039		CUVR00005		BEARING 6202 2RS	1,00		--



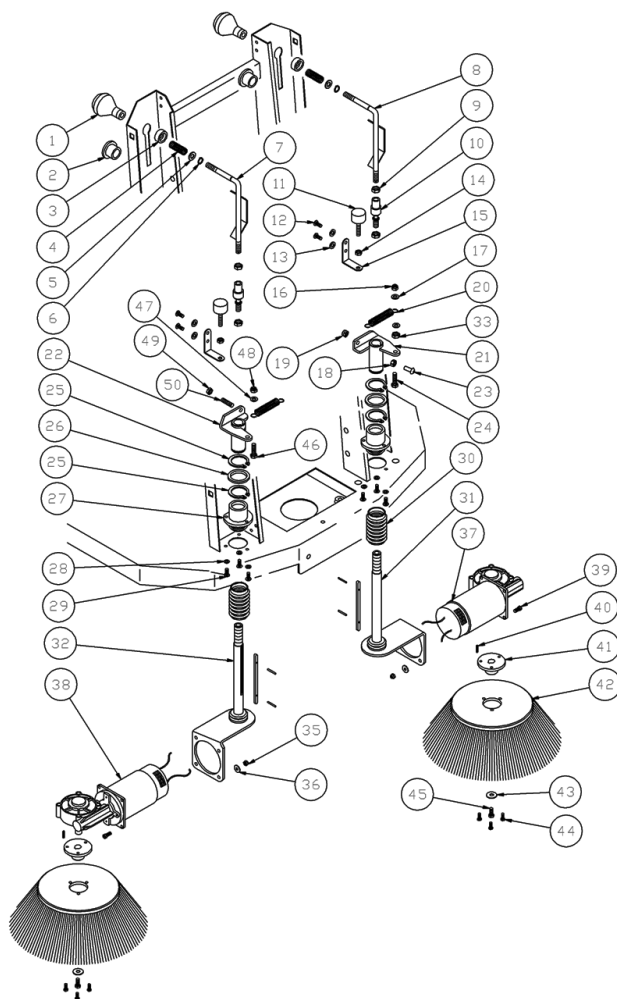
Ref.	K	Part N.	Customer Part N.	Description	Qty	Validity: From To	Price
0040		VTAE17002		CIRCLIP D. 35 UNI 7437	1,00		--
0041		VTAE17002		CIRCLIP D. 35 UNI 7437	1,00		--
0042		CUVR00005		BEARING 6202 2RS	1,00		--
0043		VTAE17002		CIRCLIP D. 35 UNI 7437	1,00		--
0044		VTAE17003		CIRCLIP D. 15 UNI 7435	1,00		--
0045		LAFN00091		BUSHING PER PULEGGIA TRAINO	1,00		--
0046		VTVT63129		SCREW TE F/ROND. M 8X16 ZB	1,00		--
0047		MLML87162		SPRING D. 17X150 X 2	1,00		--
0048		LAFN00464		PIN MOLLA RITORN.SPazz.CENTR.	1,00		--
0049		VTRS00504		WASHER D. 8 TE ZC. UNI 6592	1,00		--
0050		VTDD00124		NUT M 8 BASSO	1,00		--
0051		LAFN08197		ARM -	1,00		--
0052		VTVR28706		KEY 6X 6X20 UNI 6604A	1,00		--
0053		MPVR85319		BUSHING SW1000 NYL 21101013	1,00		--
0054		MPVR85319		BUSHING SW1000 NYL 21101013	1,00		--
0055		VTRS00509		WASHER D.20 PIANA Z. UNI6592	1,00		--
0056		VTAE06193		CIRCLIP D. 20 UNI 7435	1,00		--
0057		LAFN36064		CLOSURE BRUSH COMPARTMENT	1,00		--
0058		LAFN00699		CLAMP BRACCIO BLOC.SPazz.TK1000	1,00		--
0059		VTRS00514		WASHER D.10X30X11.4	1,00		--
0060		VTVT47025		SCREW TBEI M 10X 16 ISO 7380 ZB	1,00		--
0061		CUVR17004		BALL BEARING 6202 -2RS1	1,00		--
0062		VTVR13165		KEY 5X5X20	1,00		--
0063		MLML00295		SPRING SPAZZOLA CENTRALE	1,00		--
0064		LAFN08198		SHAFT -	1,00		--
0065		CUVR17004		BALL BEARING 6202 -2RS1	1,00		--
0066		VTAE17002		CIRCLIP D. 35 UNI 7437	1,00		--
0067		LAFN06823		SPACER L.14	1,00		--
0068		MPVR04915		HUB TRASCINATORE SPAZZ. CENT.	1,00		--
0069		VTRS04026		WASHER D. 6X18X2.38	1,00		--
0070		VTVT62920		SCREW TE F/ROND. M 6X 16 ZB	1,00		--
0071		VTVT01128		SCREW TCCE UNI 5931 12X120 ZB	1,00		--
0072		MPVR04923		SUPPORT SPAZZOLA CENTRALE	1,00		--
0073		LAFN06782		BUSHING PER CUSCINETTO	1,00		--
0074		CUVR17004		BALL BEARING 6202 -2RS1	1,00		--
0075		CUVR17004		BALL BEARING 6202 -2RS1	1,00		--
0076		LAFN06783		BUSHING PER CUSCINETTO 1	1,00		--
0077		VTRS00553		WASHER PARAPOLVERE	1,00		--
0078		VTAE17002		CIRCLIP D. 35 UNI 7437	1,00		--



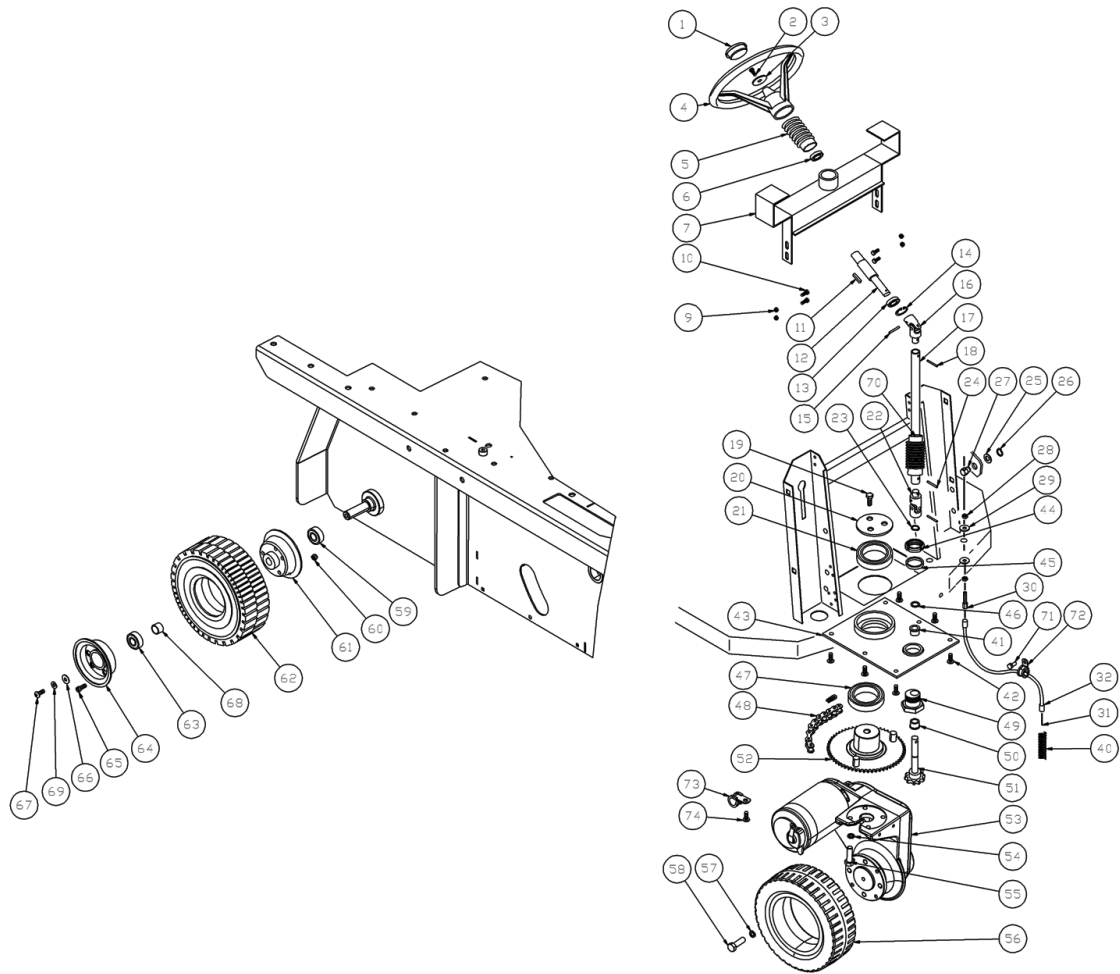
Ref. K	Part N.	Customer Part N.	Description	Qty	Validity:		Price
					From	To	
0079	RTRT00022		HANDWHEEL D.30 M6X15	2,00			--
0080	LAFN06836		PIN CENTRAGGIO PROTEZIONE	1,00		09/2015	--
0080	LAFN09473		BUSHING -	1,00	09/2015		--
0081	LAFN08193		ARM -	1,00			--
0082	VTRS00506		WASHER D.12 UNI 6592	1,00			--
0083	VTDD00012		NUT AUTOBLOK DIN 985 M12 ZB	1,00			--
0084	VTVR00047		HANDWHEEL D.50 M8	1,00			--
0085	VTRS00504		WASHER D. 8 TE ZC. UNI 6592	2,00			--
0086	VTDD00491		NUT M 6 TEF	2,00			--
0087	VTVT00046		GRUB SCREW UNI 5923 8X35 ZB	1,00			--
0088	LAFN08826		REGISTER -	1,00	05/2015		--
0089	VTDD00483		NUT M 8 ZIN UNI 5588	1,00	05/2015		--
0090	VTRS00504		WASHER D. 8 TE ZC. UNI 6592	2,00	05/2015		--
0091	VTDD00124		NUT M 8 BASSO	1,00	05/2015		--
0092	MEVR02899		FUSE 35A	1,00	12/2016		--
0093	VTVT00722		SCREW	2,00	12/2016		--
0094	VTDD00210		NUT M 3 AUTOBL.DIN 985 IX.A2	2,00	12/2016		--



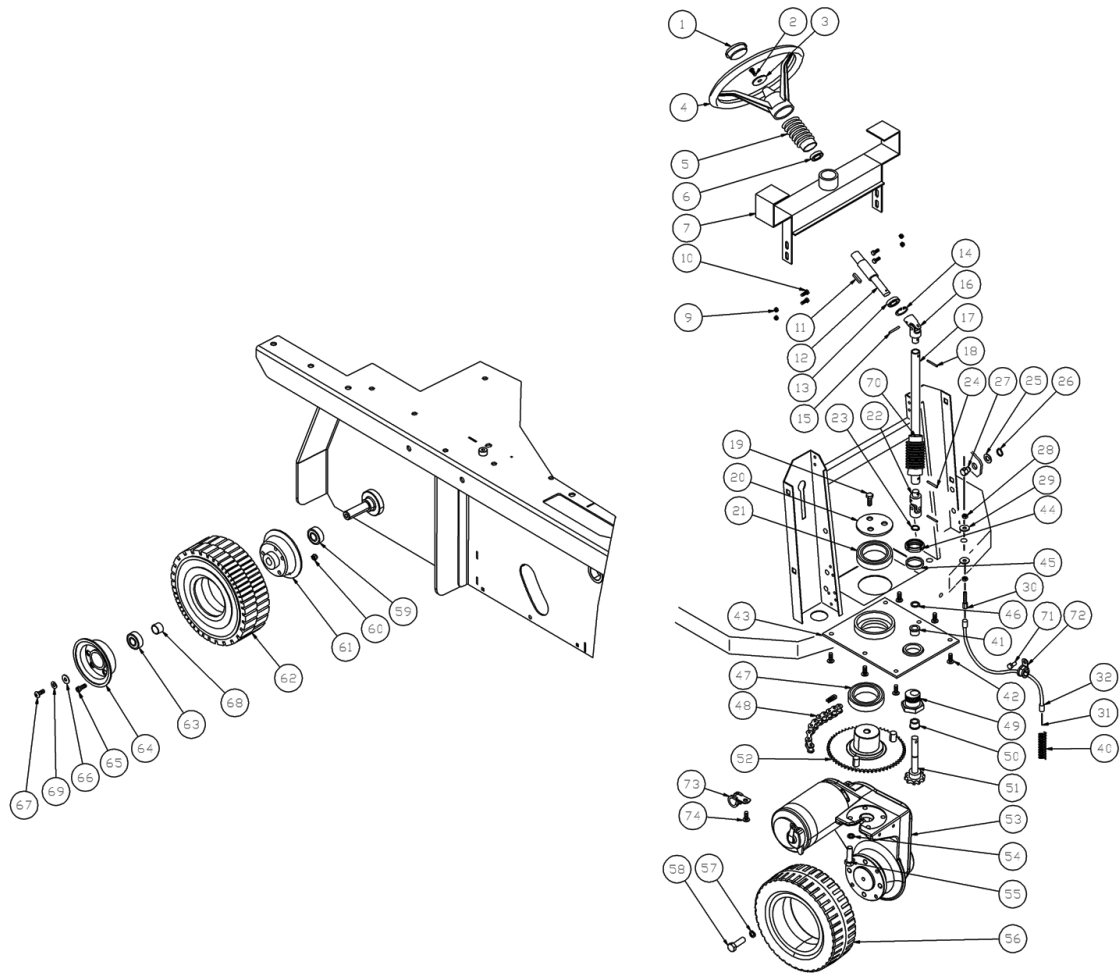
Ref.	K	Part N.	Customer Part N.	Description	Qty	Validity:		Price
						From	To	
0001		MPVR87264		KNOB ALZASPAZZ.LAT.TK1000	2,00			--
0002		MPVR47076		BUSHING L.14 EXT.	2,00			--
0003		MPVR47074		BUSHING L.14 INT.	2,00			--
0004		MLML47075		SPRING D.15X 24 X1.5	2,00			--
0005		VTRS00505		WASHER D.10 TE UNI 6592	2,00			--
0006		VTAE87276		SEEGER EXT. D10 DIN471	2,00			--
0007		LAFN00700		ARM DX ALZA SPAZ. TK1000 ZINC	1,00			--
0008		LAFN87265		ARM ALZASP.LAT.SX TK1000 ZN	1,00			--
0009		VTDD00008		NUT M10 UNI 5589 ZB	4,00	12/2014		--
0009		VTDD00484		NUT M10 ZIN UNI 5588	2,00		12/2014	--
0010		VTVR47072		ARTICULATION AS M10	2,00			--
0011		ABGO00008		VIBRATION DAMP.PM 20X20 M6X20	2,00	12/2014		--
0011		MPVR75799		FOOT 20x9 M 6x18	2,00		12/2014	--
0012		VTVT75726		SCREW TBEI M 6X 16 ISO 7380 ZB	4,00			--
0013		VTRS04026		WASHER D. 6X18X2.38	4,00			--
0014		VTDD00482		NUT M 6 ZIN UNI 5588	2,00			--
0015		MPVR86579		SUPPORT TK	2,00			--
0016		VTDD00124		NUT M 8 BASSO	2,00			--
0017		VTRS00504		WASHER D. 8 TE ZC. UNI 6592	2,00			--
0018		VTDD00483		NUT M 8 ZIN UNI 5588	1,00			--
0019		VTDD00124		NUT M 8 BASSO	1,00			--
0020		MLML00015		SPRING RIT.BR.LAT.D.19X3,25X57zb	2,00			--
0021		LAFN08975		GUIDE -	1,00			--
0022		LAFN08974		GUIDE -	1,00			--
0023		VTVT75724		SCREW TBEI M 8X 22 ISO 7380 ZB	1,00			--
0024		VTVT00447		SCREW TE 8X25 UNI5739	1,00			--
0025		VTAE12644		CIRCLIP D. 30 UNI 7435	4,00			--
0026		LAFN47081		SPACER L.14	2,00			--
0027		LAFN08973		FLANGE -	2,00			--
0028		VTRS00504		WASHER D. 8 TE ZC. UNI 6592	6,00			--
0029		VTVT75725		SCREW TBEI M 6X 10 ISO 7380 ZB	6,00			--
0030		MPVR47066		PROTECTOR L.14	2,00			--
0031		LAFN08196		SUPPORT -	1,00			--
0032		LAFN08195		SUPPORT -	1,00			--
0033		VTDD00483		NUT M 8 ZIN UNI 5588	1,00			--
0035		VTDD00491		NUT M 6 TEF	8,00		11/2016	--
0036		VTRS00503		WASHER D. 6 TE UNI 6798	8,00			--
0037		MOCC00443		MOTOR LEFT SIDE BRUSH MOT.1250B	1,00	03/2015		--
0037		RDGR75785		MOTOR.GEARBOX AOMP140 24V 90W SX	1,00		03/2015	--



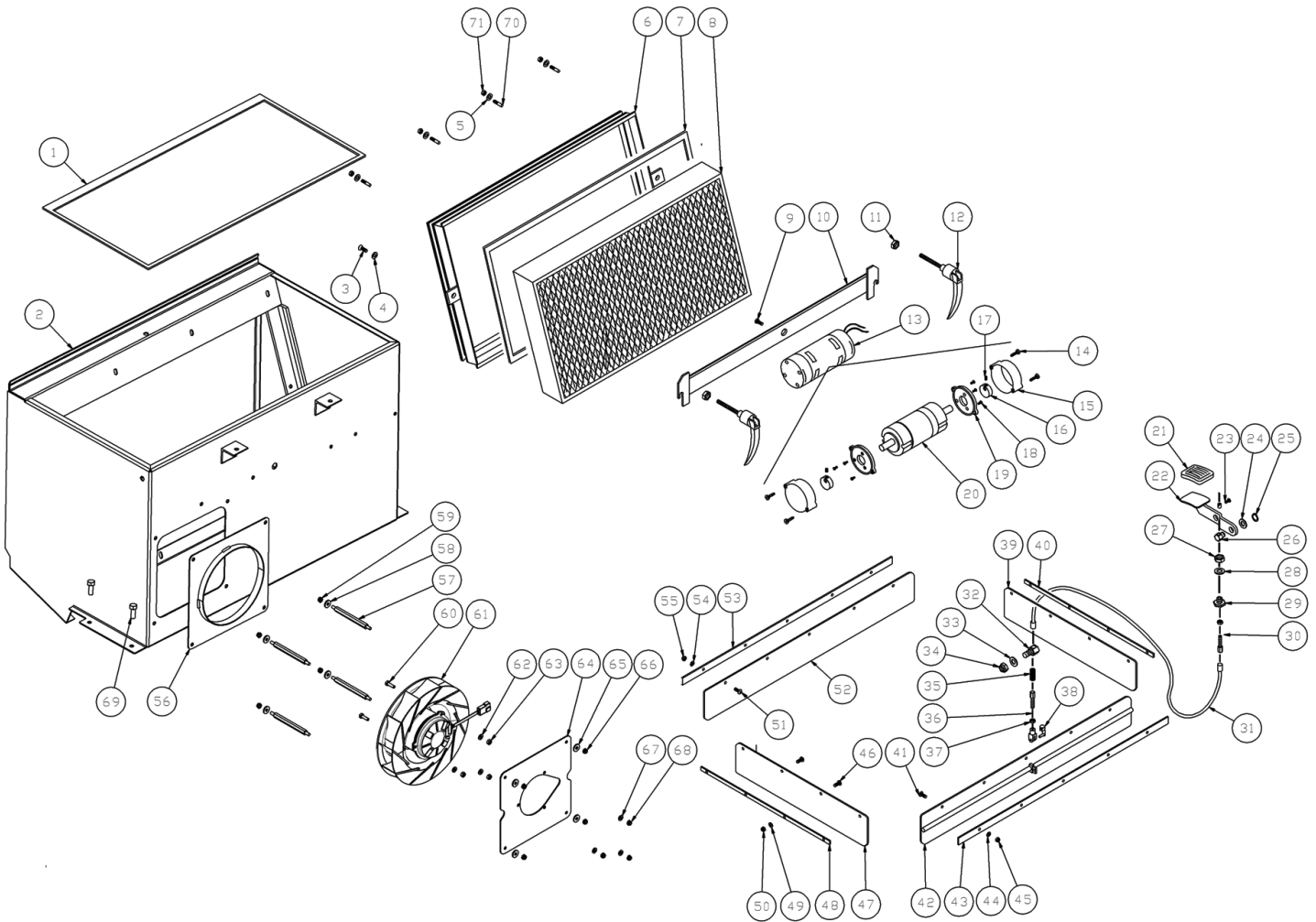
Ref. K	Part N.	Customer Part N.	Description	Qty	Validity:		Price
					From	To	
0038	MCCC00442		MOTOR RIGHT SIDE BRUSH MOT.1250	1,00	03/2015		--
0038	RDGR75784		MOTOR.GEARBOX AOMP140 24V TK1000	1,00		03/2015	--
0039	VTVT06237		SCREW TCEI 6X20 UNI5931	8,00		11/2016	--
0039	VTVT09913		SCREW TCEI 6X16 UNI5931	8,00	11/2016		--
0040	VTVR33667		KEY 5x 5x25 UNI 6604A	2,00			--
0041	LAFN45010		FLANGE L.1400 LT.	2,00			--
0042	SPPV00018		BRUSH LATERALE TK1300/TK1200	2,00			--
0043	VTRS63242		WASHER D. 6 X24 ZC	2,00			--
0044	VTVT62920		SCREW TE F/ROND. M 6X 16 ZB	6,00			--
0045	VTVT00527		SCREW TE FR 6X10 ZB ZIG.	2,00			--
0046	VTVT63129		SCREW TE F/ROND. M 8X16 ZB	1,00			--
0047	VTRS00504		WASHER D. 8 TE ZC. UNI 6592	1,00			--
0048	VTDD00492		NUT M 8 ZINC	1,00			--
0049	VTDD00483		NUT M 8 ZIN UNI 5588	1,00			--
0050	VTVT00046		GRUB SCREW UNI 5923 8X35 ZB	1,00			--



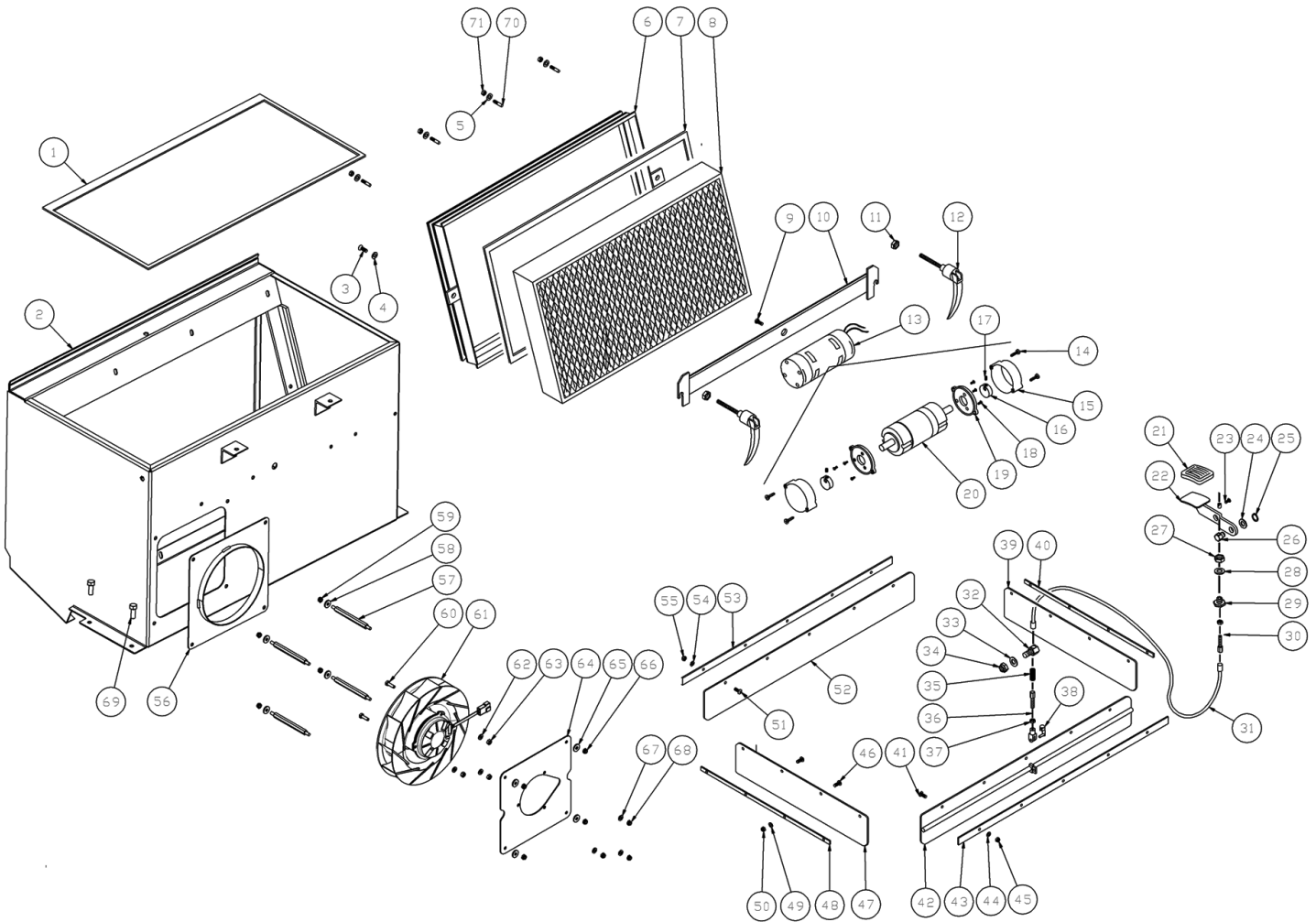
Ref.	K	Part N.	Customer Part N.	Description	Qty	Validity:		Price
						From	To	
0001		MPVR47026		BLACK CAP L.14	1,00			--
0002		VTVT47025		SCREW TBEI M 10X 16 ISO 7380 ZB	1,00			--
0003		VTRS44254		WASHER D.10 X40X2.5 UNI6593	1,00			--
0004		MPVR47027		STEERING WHEEL D. 320 L.14	1,00			--
0005		MPVR47066		PROTECTOR L.14	1,00			--
0006		CUVR00005		BEARING 6202 2RS	1,00			--
0007		LAFN09337		SUPPORT 1250-1280	1,00			--
0009		VTDD07887		NUT M 6 SERPRESS	4,00			--
0010		VTVT62920		SCREW TE F/ROND. M 6X 16 ZB	4,00			--
0011		VTVR13164		KEY 5X5X30	1,00			--
0012		ALTR00011		SHAFT PER VOLANTE TK1000	1,00			--
0013		CUVR00005		BEARING 6202 2RS	1,00			--
0014		VTAE17002		CIRCLIP D. 35 UNI 7437	1,00			--
0015		VTVR46987		ELASTIC PLUG 5X25 UNI 6873	1,00			--
0016		VTVR00562		ARTICULATION -	1,00			--
0017		PMTR00021		SHAFT STERZO 1000 T.NUOVO COMPL	1,00			--
0018		VTVR46987		ELASTIC PLUG 5X25 UNI 6873	1,00			--
0019		VTVT00014		SCREW TE UNI 5739 8X20 CL.10.9	3,00			--
0020		LAFN47004		FLANGE TK1400	1,00			--
0021		CUVR75816		BEARING 51112	1,00			--
0022		VTVR00562		ARTICULATION -	1,00			--
0023		VTAE17003		CIRCLIP D. 15 UNI 7435	1,00			--
0024		VTVR46987		ELASTIC PLUG 5X25 UNI 6873	1,00			--
0025		VTRS00506		WASHER D.12 UNI 6592	1,00			--
0026		VTAE14016		CIRCLIP D. 12 UNI 7435	1,00			--
0027		LAFN75973		PIN FLAP TK	1,00			--
0028		VTDD00482		NUT M 6 ZIN UNI 5588	2,00			--
0029		VTRS04026		WASHER D. 6X18X2.38	2,00			--
0030		CMCV02396		REGISTER CH. 8X 6MAX30	1,00			--
0031		CMCV00468		CABLE 1250-1280 E-DP	1,00			--
0032		CMCV00467		SHEATH 1250-1280 E-DP	1,00			--
0040		MLML00033		SPRING ALZAFLAP SILVER ZB	1,00			--
0041		LAFN75841		BUSHING TK 1000	1,00			--
0042		VTVT00456		SCREW TE 10X25 UNI5739	6,00			--
0043		LAFN85521		FLANGE SW1000 21501004	1,00			--
0044		VTVR75747		RING NUT AUTOBLOK M 35 X 1,5 GUK	1,00			--
0045		LAFN75913		SPACER TK	1,00			--
0046		MPVR75734		THICKNESS D.15X22X0.5	1,00			--
0047		CUVR75816		BEARING 51112	1,00			--



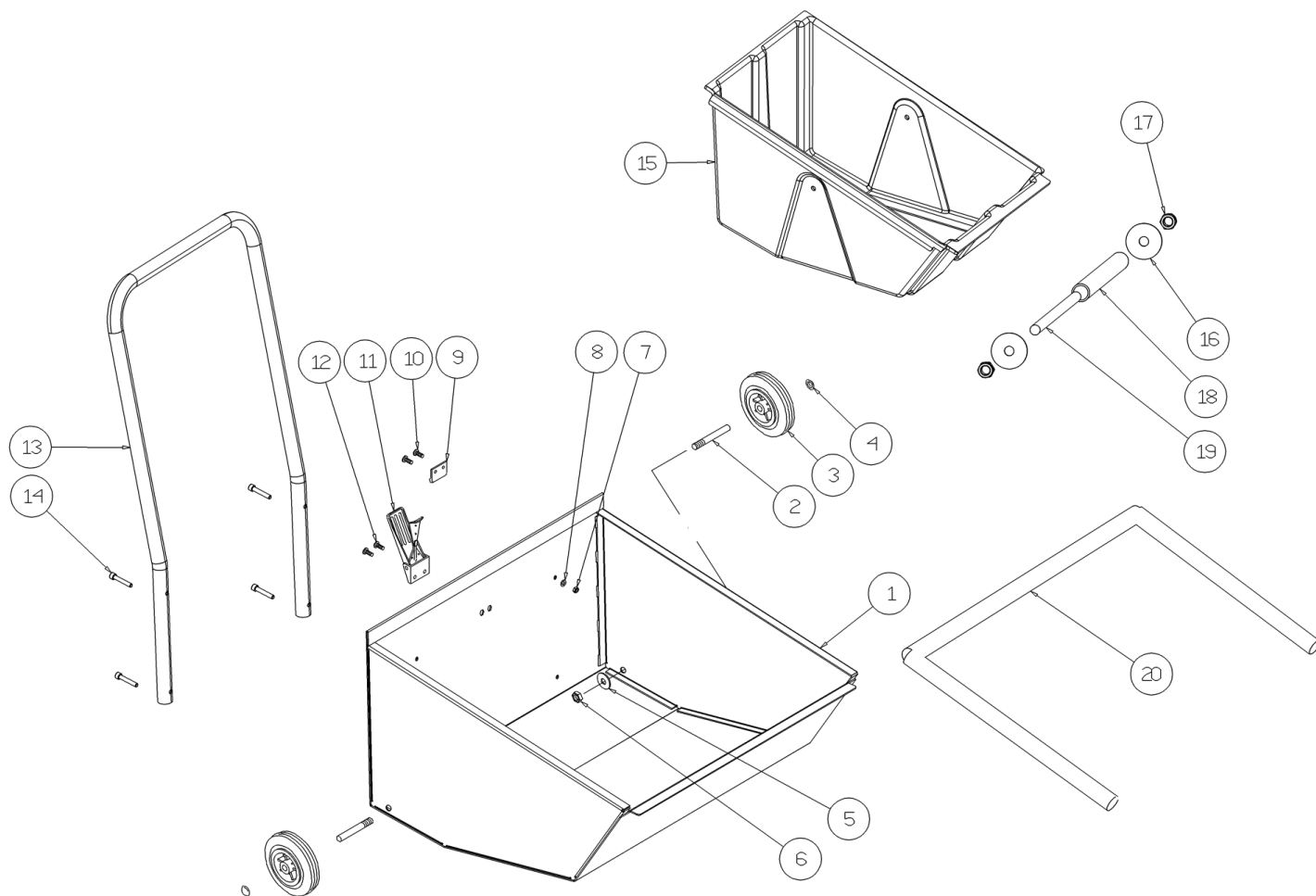
Ref.	K	Part N.	Customer Part N.	Description	Qty	Validity:		Price
						From	To	
0048		MTCR85008		CHAIN SWEEP 1000 ET	1,00			--
0049		LAFN75842		BUSHING TK 1000	1,00			--
0050		LAFN75841		BUSHING TK 1000	1,00			--
0051		KTRI46514		PIN TK 1000 + BUSCH.	1,00			--
0052		LAFN08185		BRAKE -	1,00			--
0053		MOCC00434		MOTOR CM1	1,00			--
0054		VTRS00107		WASHER M10 Grower	4,00			--
0055		VTVT00456		SCREW TE 10X25 UNI5739	4,00			--
0056		RTRT00548		WHEEL FRONT 1250-1280 E-DP	1,00			--
0057		VTRS15919		WASHER D.12 GROVER UNI 1751 INX	4,00			--
0058		VTVT00025		SCREW TE UNI 5739 12X16 ZB	4,00			--
0059		CUVR00008		BEARING 6003 2RS	2,00		07/2016	--
0059		CUVR00104		BEARING SKF 6003- 2RSH	2,00	07/2016		--
0060		VTDD00124		NUT M 8 BASSO	10,00			--
0061		LAFN85380		HUB SW 1000E/S 22501005	2,00			--
0062		KTRI75744		REAR WHEELS TK1000	2,00			--
0063		CUVR00008		BEARING 6003 2RS	2,00		07/2016	--
0063		CUVR00104		BEARING SKF 6003- 2RSH	2,00	07/2016		--
0064		LAFN85290		HUB SW 1000 22501004	2,00			--
0065		VTVT00066		SCREW TCCE UNI 5931 8X25 ZB	10,00			--
0066		VTRS00512		WASHER D. 8 X24 ZC.	2,00			--
0067		VTVT01110		SCREW TE 8X16 UNI5739	2,00			--
0068		LAFN00275		SPACER INTERNO RUOTA POST.TK1300	2,00			--
0069		VTRS01080		WASHER D. 8 GRW	2,00			--
0070		MPVR47066		PROTECTOR L.14	1,00			--
0071		VTVT62920		SCREW TE F/ROND. M 6X 16 ZB	1,00			--
0072		FSVR00005		CLAMP TIPO "ECO"FORO MM8 D.1 W0	1,00			--
0073		FSVR00043		CLAMP d.16	1,00			--
0074		VTVT62920		SCREW TE F/ROND. M 6X 16 ZB	1,00			--



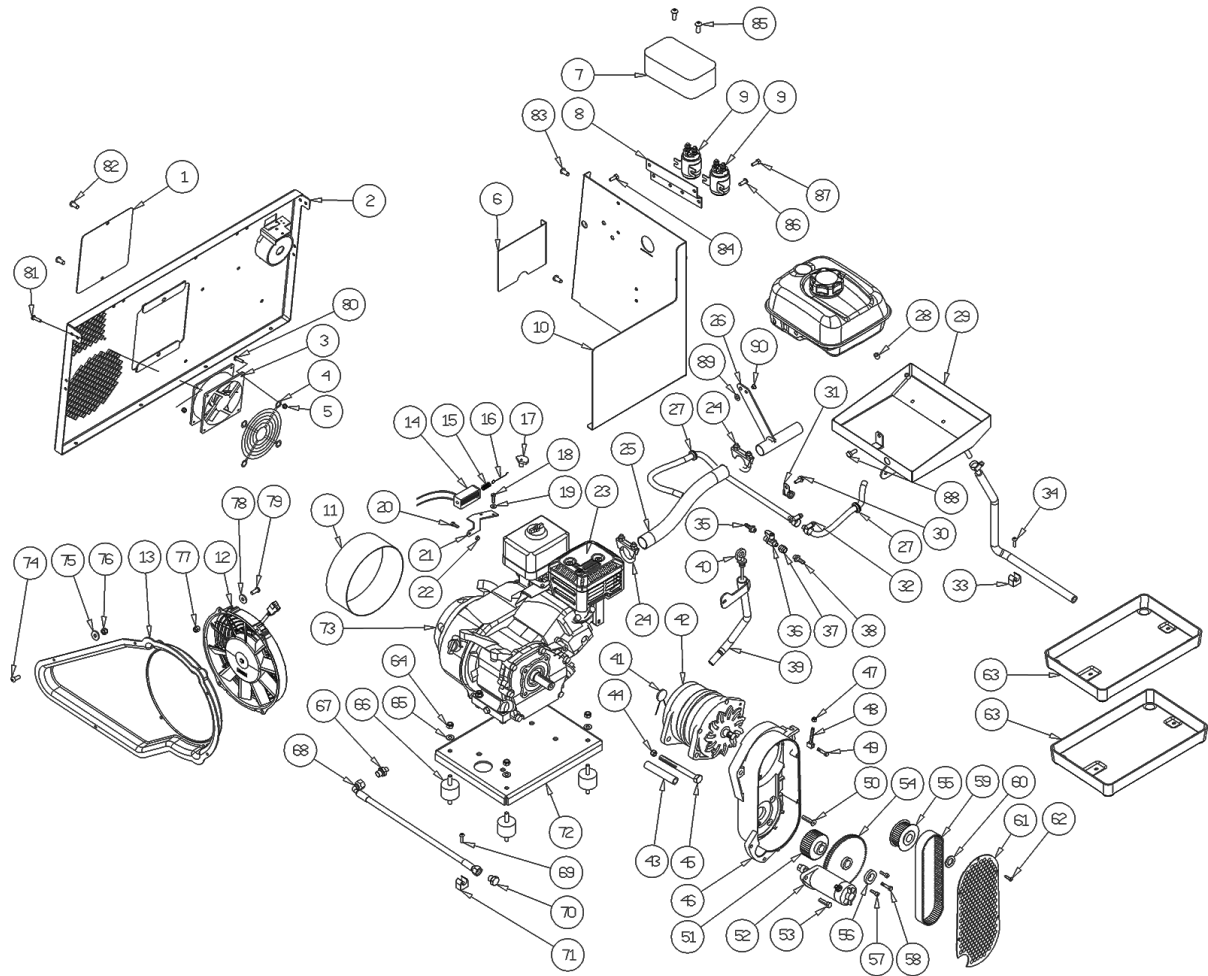
Ref.	K	Part N.	Customer Part N.	Description	Qty	Validity: From To	Price
0001		MPVR86607		KIT KIT GUARN.MOUSSE FILTRO	1,00		--
0002		LAFN36059		CONTAINER FILTER PANEL	1,00		--
0003		VTVT75726		SCREW TBEI M 6X 16 ISO 7380 ZB	4,00		--
0004		VTRS04026		WASHER D. 6X18X2.38	4,00		--
0005		VTRS04026		WASHER D. 6X18X2.38	6,00		--
0006		LAFN01014		FRAME PORTA FILTRO TK1000 VIBR.	1,00		--
0007		MPVR86606		KIT KIT GUARN.MOUSSE FILTRO	1,00		--
0008		FTDP76067		FILTER SW1000	1,00		--
0009		VTVT47143		SCREW TSPEI M 10X 16 ZC UNI5933	1,00		--
0010		LAFN00720		MOTOR SUPPORT S/FILTRO TK1000 NUOVO VER	1,00		--
0011		VTDD00057		NUT UNI 5589 M8 BASSO ZB	2,00		--
0012		PMVR00215		HANDLE BLOCCAGGIO FILTR.1000E-S	2,00		--
0013		MOCC45112		MOTOR FILTER SHAKER 24V	1,00		--
0014		VTVT47138		SCREW TSP-TC 3,9X32 ZC. UNI6955	4,00		--
0015		LAFN47139		MOTOR COVER L.14 FILT.	2,00		--
0016		LAFN47140		BUSHING L.14	2,00		--
0017		VTVT75731		SCREW UNI 5923 6 X5	2,00		--
0018		VTVT00474		SCREW TSCE uni 5933 4x12 ZB	6,00		--
0019		MFVR47141		FLANGE MOTOR L.14	2,00		--
0020		MOCC00004		MOTOR D.63 24V G3800 W35	1,00		--
0021		MPVR45096		RUBBER V 1201 GR.	1,00		--
0022		LAFN76008		PEDALE FLAP TK1000	1,00		--
0023		VTVR00028		CLAMP PER CASSETTO G1300	1,00		--
0024		VTRS00506		WASHER D.12 UNI 6592	1,00		--
0025		VTAE14016		CIRCLIP D. 12 UNI 7435	1,00		--
0026		LAFN75973		PIN FLAP TK	1,00		--
0027		VTDD01682		NUT M12 ZC UNI 5588	1,00		--
0028		VTRS00505		WASHER D.10 TE UNI 6592	1,00		--
0029		LAFN75975		PIN TK	1,00		--
0030		CMCV75723		REGISTER D.7	1,00		--
0031		CMCV75905		SHEATH X CABLE	1,00		--
0032		LAFN75976		SPRING GUIDE TK 1000	1,00		--
0033		VTRS00506		WASHER D.12 UNI 6592	1,00		--
0034		VTDD00012		NUT AUTOBLOK DIN 985 M12 ZB	1,00		--
0035		MLML75962		SPRING	1,00		--
0036		CMCV45110		CORD D. 2.5 FLAP L.14	1,00		--
0037		VTDD00482		NUT M 6 ZIN UNI 5588	1,00		--
0038		CMCV75717		CLIP UNI 1676 M6	1,00		--
0039		MPVR75936		RUBBER FLAP DX/SX TK1000	1,00		--



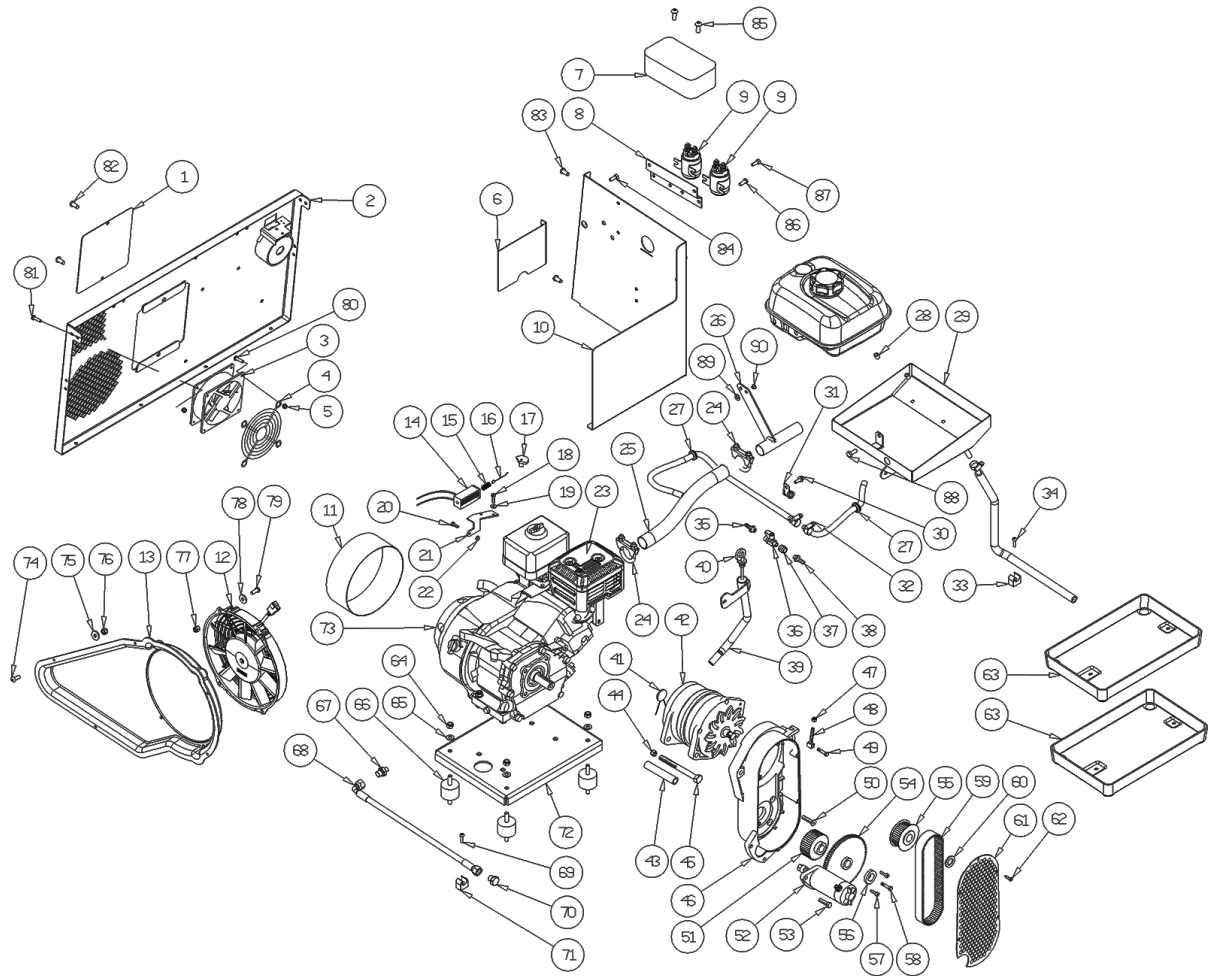
Ref.	K	Part N.	Customer Part N.	Description	Qty	Validity:		Price
						From	To	
0040		LAFN00305		CLAMP FLAP DX/SX TK1000 NERO	1,00			--
0041		VTVT75721		SCREW TTDE UNI 5732 6 X 16 ZB	8,00			--
0042		MPVR75935		RUBBER FLAP TK1000	1,00			--
0043		LAFN86529		CLAMP FLAP	1,00			--
0044		VTRS00503		WASHER D. 6 TE UNI 6798	8,00			--
0045		VTDD00491		NUT M 6 TEF	8,00			--
0046		VTVT75721		SCREW TTDE UNI 5732 6 X 16 ZB	4,00			--
0047		MPVR75936		RUBBER FLAP DX/SX TK1000	1,00			--
0048		LAFN00305		CLAMP FLAP DX/SX TK1000 NERO	1,00			--
0049		VTRS00503		WASHER D. 6 TE UNI 6798	4,00			--
0050		VTDD00491		NUT M 6 TEF	4,00			--
0051		VTVT75721		SCREW TTDE UNI 5732 6 X 16 ZB	5,00			--
0052		MPVR75934		RUBBER FLAP TK1000	1,00			--
0053		LAFN86529		CLAMP FLAP	1,00			--
0054		VTRS00503		WASHER D. 6 TE UNI 6798	5,00			--
0055		VTDD00491		NUT M 6 TEF	5,00			--
0056		LAFN08170		ADAPTER TK1000	1,00			--
0057		LAFN06757		SPACER 1450	4,00			--
0058		VTRS04026		WASHER D. 6X18X2.38	4,00			--
0059		VTDD00491		NUT M 6 TEF	4,00			--
0060		VTVT00444		SCREW TE 6X20 UNI5739	3,00			--
0061		VEVR00070		IMPELLER -	1,00			--
0062		VTRS00503		WASHER D. 6 TE UNI 6798	3,00			--
0063		VTDD00482		NUT M 6 ZIN UNI 5588	3,00			--
0064		LAFN06854		SHEET METAL PA.1450	1,00			--
0065		VTRS04026		WASHER D. 6X18X2.38	4,00			--
0066		VTDD00491		NUT M 6 TEF	4,00			--
0067		VTRS00503		WASHER D. 6 TE UNI 6798	3,00			--
0068		VTDD00482		NUT M 6 ZIN UNI 5588	3,00			--
0069		VTVT62920		SCREW TE F/ROND. M 6X 16 ZB	4,00			--
0070		VTVT01699		STUD BOLT M6X20	6,00			--
0071		VTDD00491		NUT M 6 TEF	6,00			--



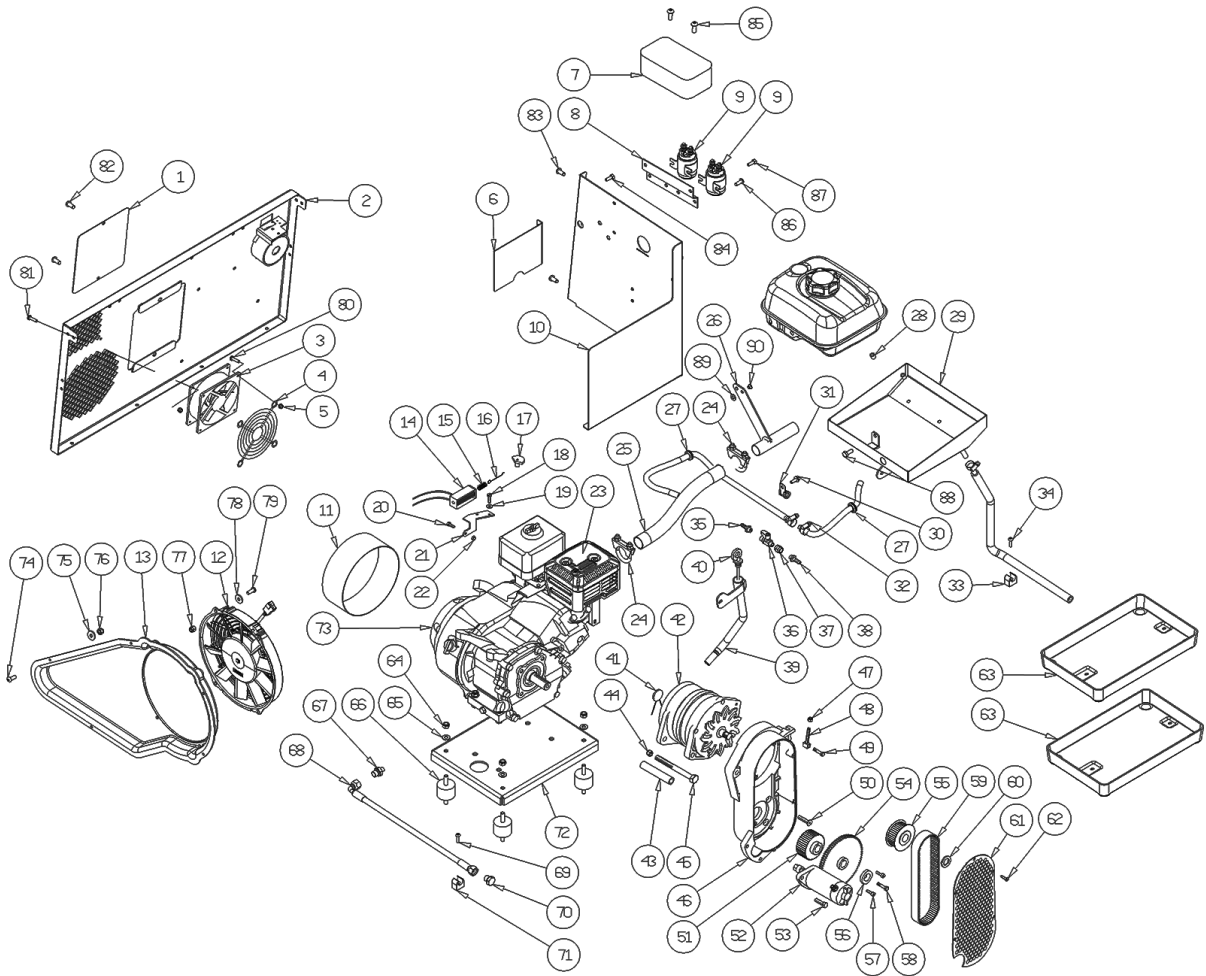
Ref.	K	Part N.	Customer Part N.	Description	Qty	Validity:		Price
						From	To	
0001		LAFN08175		DRAWER TK1000	1,00			--
0002		LAFN00433		WHEEL PIN D.15 L.70,5	2,00			--
0003		RTRT00013		WHEEL GOMMA D.125	2,00			--
0004		VTVR26502		HUB CAP D. 15	2,00			--
0005		VTRS00505		WASHER D.10 TE UNI 6592	2,00			--
0006		VTDD00042		NUT AUT.M10 UNI7474	2,00			--
0007		VTDD00491		NUT M 6 TEF	4,00			--
0008		VTRS04026		WASHER D. 6X18X2.38	4,00			--
0009		CHVR76643		SUPP.HOLDER	1,00			--
0010		VTVT75726		SCREW TBEI M 6X 16 ISO 7380 ZB	2,00			--
0011		CHVR76642		CLOSURE SW1000	1,00			--
0012		VTVT75726		SCREW TBEI M 6X 16 ISO 7380 ZB	2,00			--
0013		LAFN08194		HANDLE -	1,00			--
0014		VTVT63029		SCREW TCEI M 6X 35 UNI 5931 ZB	4,00			--
0015		MPVR06100		DRAWER -	2,00			--
0016		VTRS00512		WASHER D. 8 X24 ZC.	4,00			--
0017		VTDD00057		NUT UNI 5589 M8 BASSO ZB	4,00			--
0020		GUVR00010		GASKET	1,80			--



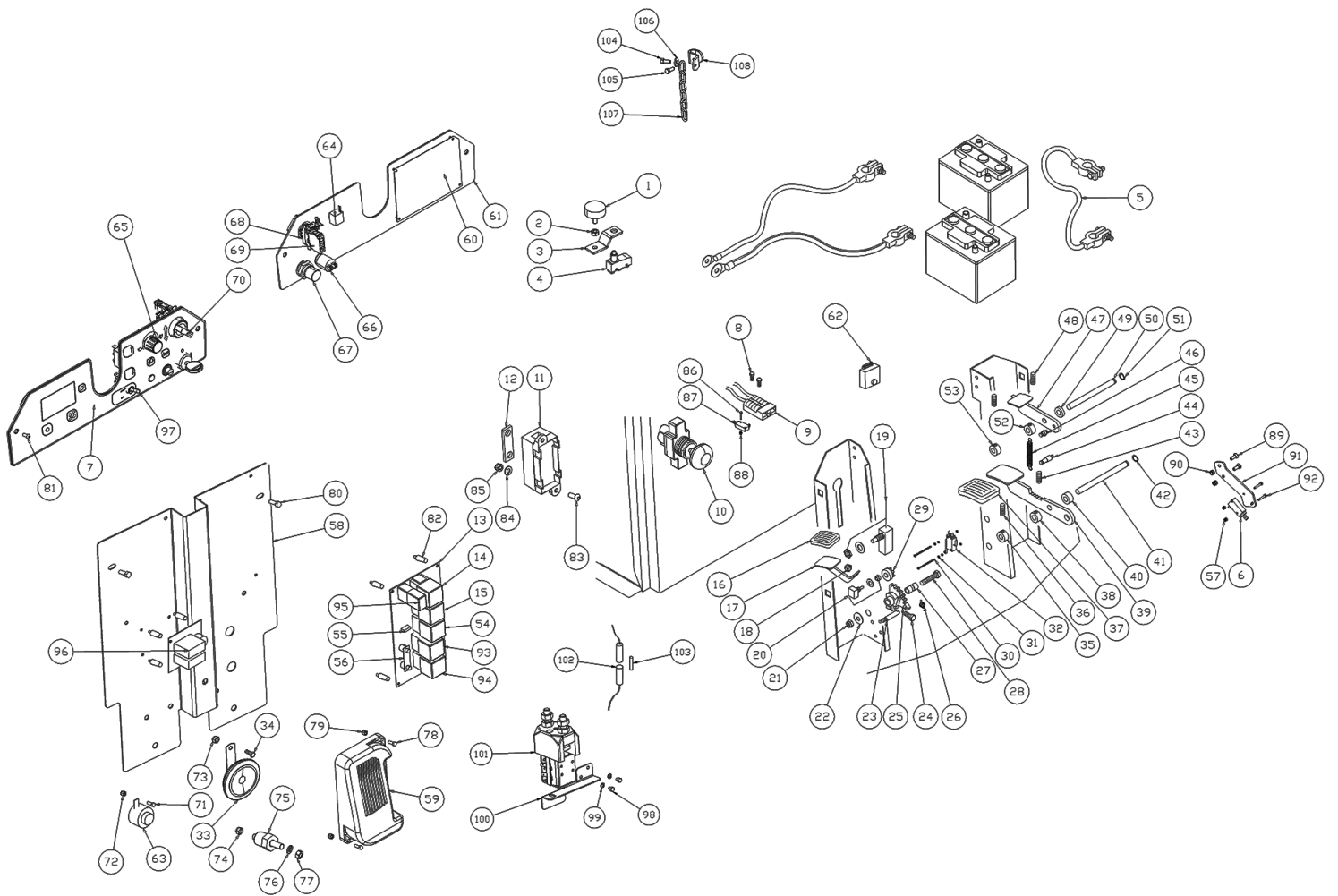
Ref.	K	Part N.	Customer Part N.	Description	Qty	Validity: From To	Price
0001		LAFN08122		BULKWARD -	1,00		--
0002		LAFN08179		PANEL -	1,00		--
0003		VEVR45113		VENTILATOR 24V RF.	1,00		--
0004		LAFN00009		BRACKET PROTEZIONE	1,00		--
0006		LAFN08125		BULKWARD -	1,00		--
0007		MPVR47166		PROTECTION L.14 TLR.	1,00		--
0008		LAFN47167		BRACKET L.14	1,00		--
0009		METT45116		CONTACTOR 24V T106 P	2,00		--
0010		LAFN08123		SPACER -	1,00		--
0011		GUVR45977		GASKET L.14	1,00		--
0012		VEVR00078		IMPELLER -	1,00		--
0013		MPVR06411		CONVEYOR -	1,00		--
0014		MEVR02100		SOLENOID -	1,00		--
0015		MLML00348		SPRING -	1,00		--
0016		MEVR45118		CONNECTING ROD L.14	1,00		--
0017		MEVR45117		BALANCER L.14	1,00		--
0018		VTVT10068		SCREW TC-TC 3X 6 UNI 7687	1,00		--
0019		VTRS27296		WASHER GROWER 3 ZNT	1,00		--
0020		VTVT00107		SCREW TCTC UNI 7687 3X12 ZB	1,00		--
0021		LAFN47155		BRACKET L.14	1,00		--
0022		VTDD00001		NUT UNI 5588 M3 ZB	1,00		--
0023		MRSC00092		SILENCER -	1,00		--
0024		LAFN02858		CLAMP D.32	2,00		--
0025		TBFX00057		FLEXIBLE HOSE	0,38		--
0026		LAFN08128		TUBE -	1,00		--
0027		MEVR00686		FAIR-LEAD DIAMETER 15.5	2,00		--
0028		LAFN47095		SPACER D. 6-10 L= 8	2,00		--
0029		LAFN08126		BRACKET -	1,00		--
0031		FSVR00005		CLAMP TIPO "ECO"FORO MM8 D.1 W0	2,00		--
0032		FSVR19692		CLAMP D. 11-16 VT	2,00		--
0033		FSVR00024		HOSE COLLAR	1,00		--
0035		RCVR00004		CONNECTOR PORTAGOMMA 1/8" D.7	1,00		--
0036		RCGR00008		VALVE A SFERA MF 1/8"	1,00		--
0037		RCVR00019		SLEEVE 1/8"	1,00		--
0038		RCVR00004		CONNECTOR PORTAGOMMA 1/8" D.7	1,00		--
0039		LAFN08129		TUBE -	1,00		--
0040		TBBP00383		ROD LIVELLO OLIO	1,00		--
0041		METK47170		PROBE F11-140° NC	1,00		--
0042		ARGN00004		ALTERNATOR 28V-80A	1,00		--



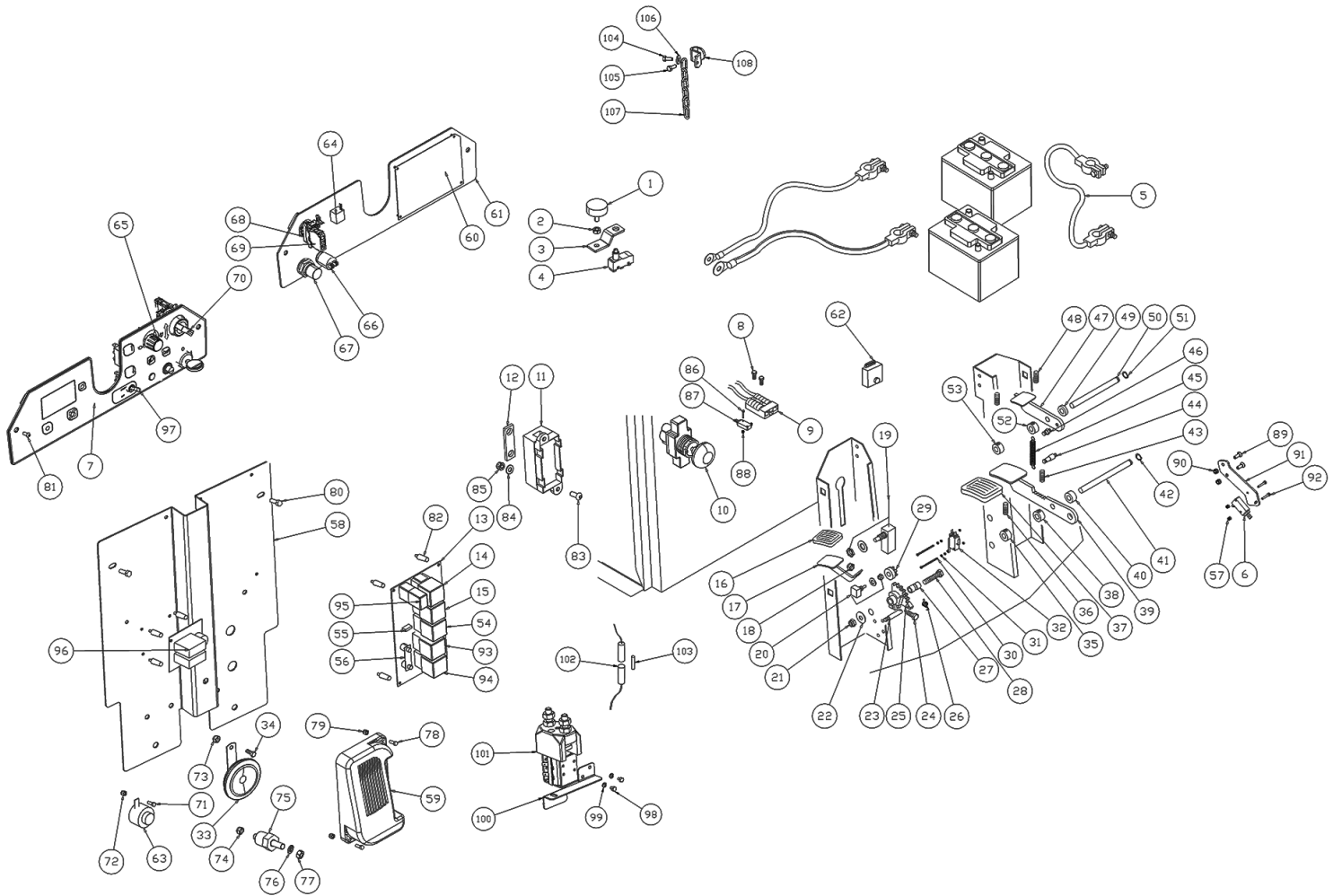
Ref.	K	Part N.	Customer Part N.	Description	Qty	Validity:		Price
						From	To	
0043		LAFN47157		SPACER L.14	1,00			--
0044		VTDD00042		NUT AUT.M10 UNI7474	1,00			--
0045		VTVT16260		SCREW TE M 10X160 UNI 5737 ZC	1,00			--
0046		MFVR47154		CRANKCASE L.14	1,00			--
0047		VTDD00491		NUT M 6 TEF	1,00			--
0048		LAFN47168		BELT-STRETCHER L.14	1,00			--
0049		VTVT28307		SCREW TCCE UNI 5931 10X70 ZN	1,00			--
0050		VTVT63134		SCREW M 8X25 TSPEI ZC UNI 5933	4,00			--
0051		MTPL45323		PULLEY L.14 6.5HP	1,00			--
0052		MOCC45115		MOTOR 24V 300W SX	1,00			--
0053		VTVT01119		SCREW TCEI 8X20 UNI5931	1,00			--
0054		MTCR45720		TOOTHED WHEEL Z. 80 P. 1.75	1,00			--
0055		MTPL45322		PULLEY HTD 40-5M 25 6F TK14	1,00			--
0056		LAFN06832		WASHER BLOCCA INGRANAGGIO	1,00			--
0057		VTVT00066		SCREW TCCE UNI 5931 8X25 ZB	2,00			--
0058		VTVT00448		SCREW TE 8X30 UNI5739	1,00			--
0059		MTCG44555		BELT HTD 565-5M 25	1,00			--
0060		LAFN00271		NUT FISSA PULEGGIA ALTERNA.	1,00			--
0061		LAFN47152		BRACKET PROTEZIONE	1,00			--
0062		VTVT00005		SCREW TE FR 5X12 ZB	5,00			--
0063		LAFN87156		CONTAINER BATTERY	2,00			--
0064		VTDD00124		NUT M 8 BASSO	4,00			--
0065		VTRS00504		WASHER D. 8 TE ZC. UNI 6592	4,00			--
0066		ABGO00009		VIBRATION DAMP.MM 40X30 8MAX25	4,00			--
0067		RCDS47173		NIPPLE 1/4 -M10X1.25	1,00			--
0068		TBBP00514		TUBE -	1,00			--
0070		RCDS00002		CAP 1/4"	1,00			--
0071		FSVR00024		HOSE COLLAR	1,00			--
0072		LAFN08184		PLATE -	1,00			--
0073		MOSC47149		ENGINE MOTOR HONDA GX200 QM- 4-OH	1,00			--
0074		VTVT75726		SCREW TBEI M 6X 16 ISO 7380 ZB	5,00			--
0075		VTRS04026		WASHER D. 6X18X2.38	5,00			--
0076		VTDD00491		NUT M 6 TEF	5,00			--
0077		VTDD00491		NUT M 6 TEF	4,00			--
0078		VTRS00503		WASHER D. 6 TE UNI 6798	4,00			--
0079		VTVT75726		SCREW TBEI M 6X 16 ISO 7380 ZB	4,00			--
0080		VTVT15924		SCREW M 4X 16 TCB-TC UNI 7687	4,00			--
0081		VTVT15924		SCREW M 4X 16 TCB-TC UNI 7687	4,00			--
0082		VTVT75726		SCREW TBEI M 6X 16 ISO 7380 ZB	2,00			--



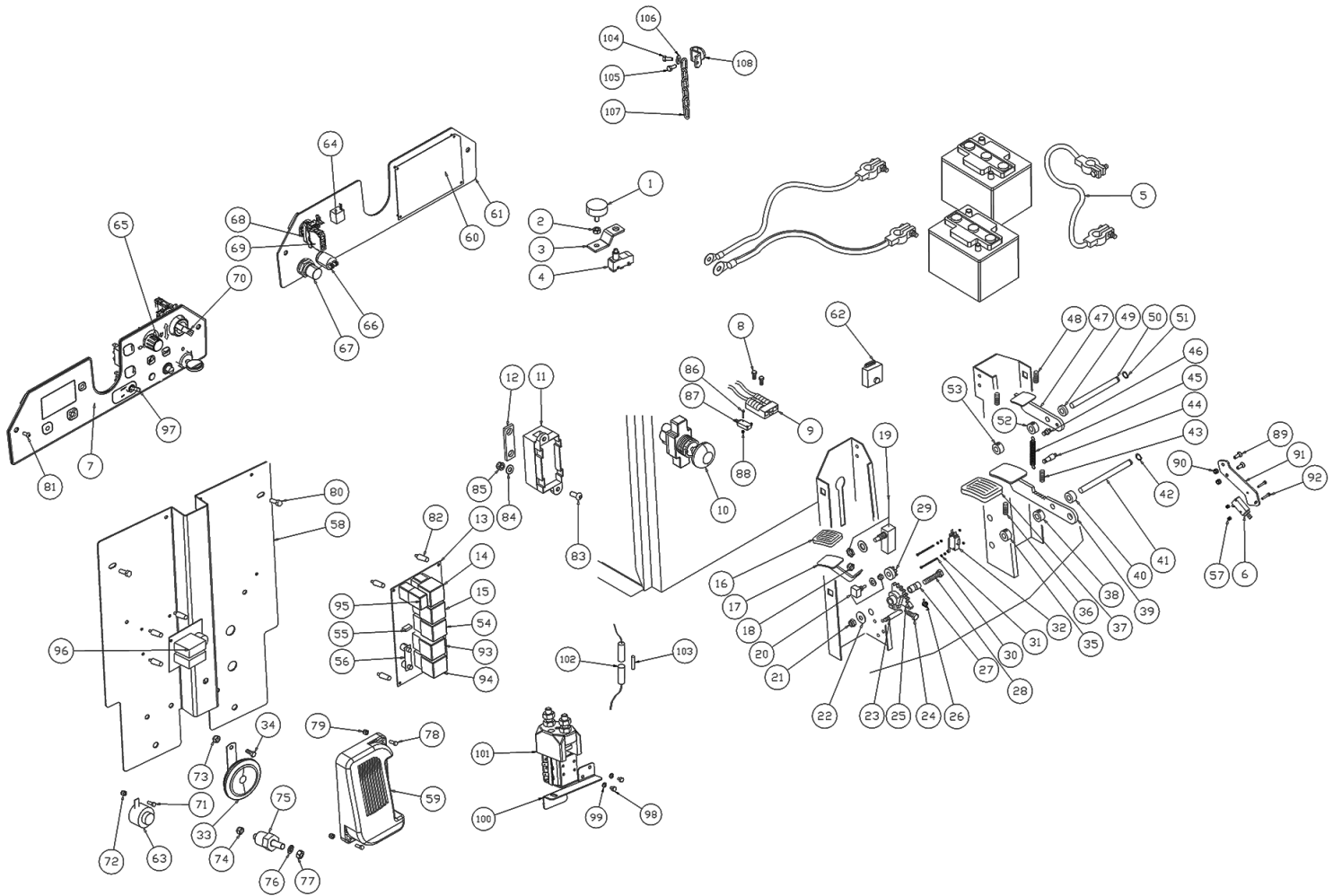
Ref.	K	Part N.	Customer Part N.	Description	Qty	Validity:		Price
						From	To	
0083		VTVT75726		SCREW TBEI M 6X 16 ISO 7380 ZB	2,00			--
0084		VTVT62920		SCREW TE F/ROND. M 6X 16 ZB	2,00			--
0085		VTVT75725		SCREW TBEI M 6X 10 ISO 7380 ZB	2,00			--
0086		VTVT75725		SCREW TBEI M 6X 10 ISO 7380 ZB	2,00			--
0087		VTVT62920		SCREW TE F/ROND. M 6X 16 ZB	2,00			--
0088		VTVT00527		SCREW TE FR 6X10 ZB ZIG.	1,00			--
0089		VTRS00274		WASHER NYLON 66 D.8,4-17-2 UNI	2,00	12/2015		--
0090		LAFN09413		BUSHING -	2,00	12/2015		--



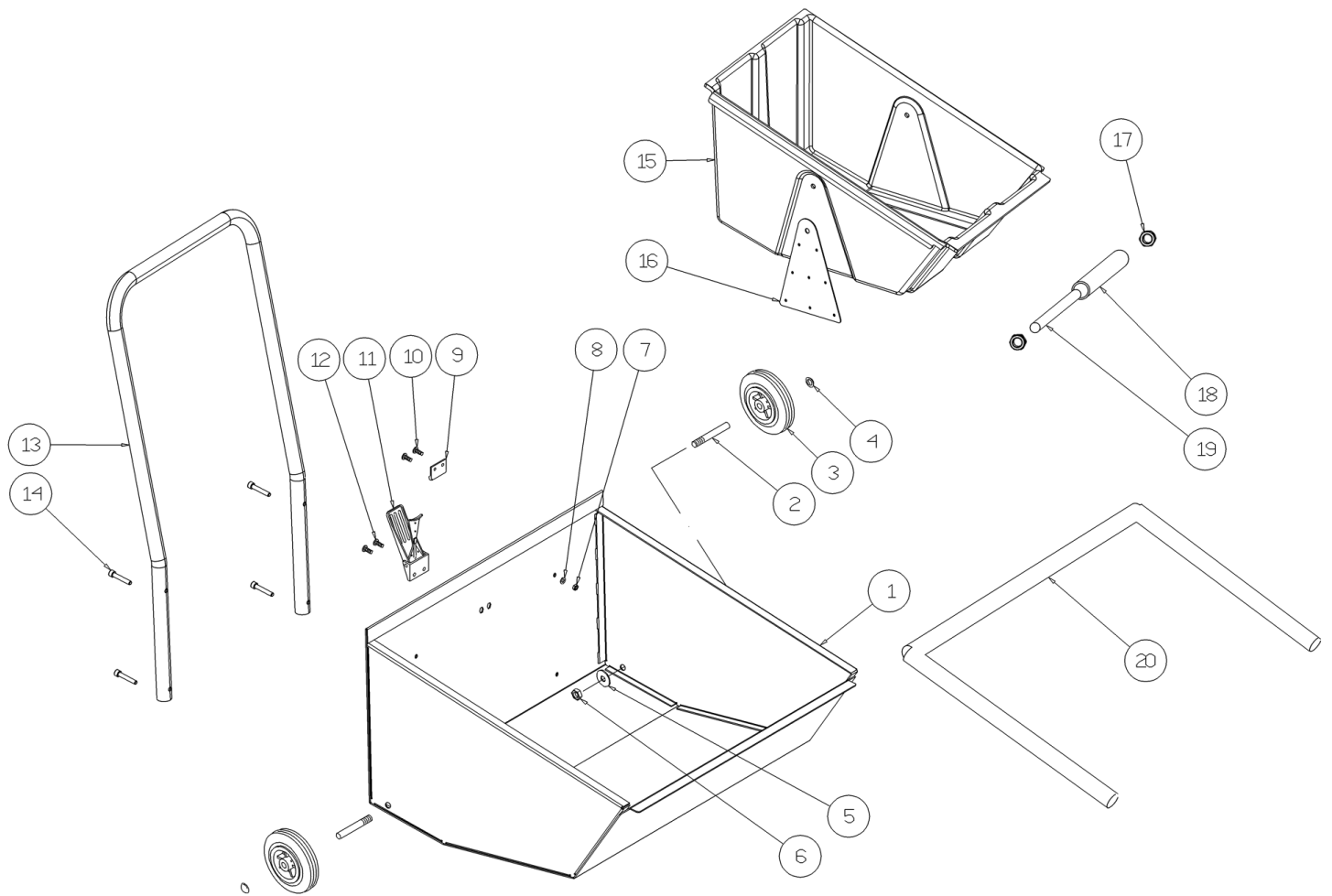
Ref.	K	Part N.	Customer Part N.	Description	Qty	Validity:		Price
						From	To	
0001		ABGO00026		VIBRATION DAMP.	2,00			--
0002		VTDD10776		NUT M 8 X1 UNI 5588	4,00			--
0003		LAFN07862		BRACKET -	1,00			--
0004		MECI75801		MICROSWITCH TK	1,00			--
0005		MEVR34820		WIRING B 450 BT	3,00			--
0006		MECI00114		MICROSWITCH	1,00			--
0007		ETET01798		LABEL -	1,00			--
0008		VTVT19236		SCREW TCEI 5X20 UNI 5931	2,00			--
0009		MEVR01079		PLUG M CB50 A 600V RD.	1,00			--
0010		MECI00571		BUTTON -	1,00			--
0011		MEVR00146		FUSE-HOLDER MEGA	1,00			--
0012		MEVR00145		FUSE 100A	1,00			--
0013		MECE00592		BOARD POWER SERVICE 1250-1280	1,00			--
0014		MECE00201		RELAIS 24V 10-20 A	1,00			--
0015		MECE00201		RELAIS 24V 10-20 A	1,00			--
0016		MPVR85654		RUBBER SWEEP 1000 TK13201006	1,00			--
0017		LAFN08220		PEDALE -	1,00			--
0018		VTDD00124		NUT M 8 BASSO	1,00			--
0019		MECI75801		MICROSWITCH TK	2,00			--
0020		KTRI02289		KIT 1250-80	1,00			--
0021		VTDD00124		NUT M 8 BASSO	1,00			--
0022		VTRS00504		WASHER D. 8 TE ZC. UNI 6592	1,00			--
0023		LAFN75969		PIN D.9 H.33	1,00			--
0024		VTVT01688		SCREW TBEI M 8X 30 ISO 7380 IX	1,00			--
0025		MTIG85317		GEAR SW 1000	1,00			--
0026		MLML85997		SPRING D. 2 TK1000	1,00			--
0027		LAFN47084		BUSHING L.14	1,00			--
0028		VTVT00017		SCREW TE UNI 5739 8X35 ZB	1,00			--
0029		MTIG85318		GEAR SW 1000	1,00			--
0030		VTVT00021		SCREW TE UNI 5739 3X25 ZB	2,00			--
0031		VTDD00001		NUT UNI 5588 M3 ZB	4,00			--
0032		MECI30642		MICRO-SWITCH 11A 0.33HP	1,00			--
0033		MEVR02112		HORN 24V	1,00	10/2015		--
0033		MEVR33430		KLAXON K100/Y 1A 24V	1,00		10/2015	--
0034		VTVT00527		SCREW TE FR 6X10 ZB ZIG.	1,00			--
0035		LAFN47030		BUSHING L.14	1,00			--
0036		VTVT75731		SCREW UNI 5923 6 X5	1,00			--
0037		MPVR45096		RUBBER V 1201 GR.	1,00			--
0038		LAFN47030		BUSHING L.14	1,00			--



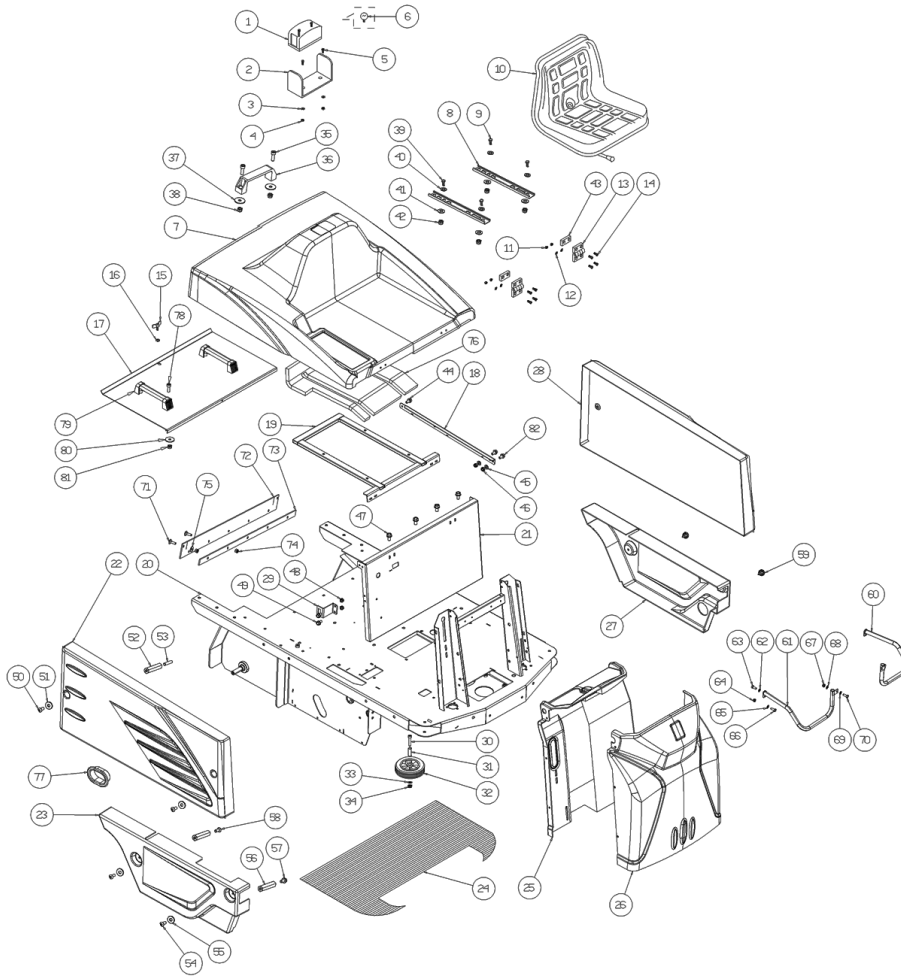
Ref.	K	Part N.	Customer Part N.	Description	Qty	Validity:		Price
						From	To	
0039		LAFN09344		PEDALE -	1,00			--
0040		LAFN47019		BUSHING L.14	1,00			--
0041		LAFN47036		PIN BRK.+FLAP L.14	1,00			--
0042		VTAE87276		SEEGER EXT. D10 DIN471	1,00			--
0043		VTVT75731		SCREW UNI 5923 6 X5	1,00			--
0044		LAFN47035		PIN CH.10 H.26	1,00			--
0045		MLML75960		SPRING D. 8 X1 X32	1,00			--
0046		LAFN47029		PIN CH.10 H.16	1,00			--
0047		LAFN47032		PEDALE L.14	1,00			--
0048		VTVT75731		SCREW UNI 5923 6 X5	1,00			--
0049		LAFN47033		BUSHING L.14	1,00			--
0050		LAFN47031		PIN L.14	1,00			--
0051		VTAE87276		SEEGER EXT. D10 DIN471	1,00			--
0052		LAFN47030		BUSHING L.14	1,00			--
0053		LAFN47030		BUSHING L.14	1,00			--
0054		MECE00201		RELAIS 24V 10-20 A	1,00			--
0055		MEVR01136		FUSE 30A	1,00			--
0056		MEVR02060		FUSE 40A	1,00			--
0057		VTDD21115		NUT M 3 INOX	2,00			--
0058		LAFN08202		PLATE -	1,00			--
0059		MECE00601		BOARD 1250-1280	1,00			--
0060		MECE00591		BOARD LOGIC 1250-1280	1,00			--
0061		LAFN08204		BOARD -	1,00			--
0062		MEVR02017		BEEPER -	1,00			--
0063		MECE00182		BUZZER	1,00			--
0064		MEVR01941		POTENTIOMETER 100K	1,00			--
0065		KTRI01935		KIT 1050-1202	1,00			--
0066		MEVR85330		BUTTON -	1,00			--
0067		MECI75805		SWITCH TK	1,00			--
0068		MECI00520		SMALL BASKET FIX TO FIX CONTACT	1,00			--
0069		MECI00518		CONTACT NC	1,00			--
0070		MECI00572		SELECTOR -	1,00			--
0071		VTVT00311		SCREW TE M4X12	1,00			--
0072		VTDD04368		NUT M 4 ZIN UNI 5588	1,00			--
0073		VTDD00491		NUT M 6 TEF	1,00			--
0074		VTDD00124		NUT M 8 BASSO	2,00			--
0075		MEVR01116		SUPPORT FUSIBILE 120 A	2,00			--
0076		VTRS01080		WASHER D. 8 GRW	2,00			--
0077		VTDD00483		NUT M 8 ZIN UNI 5588	2,00			--



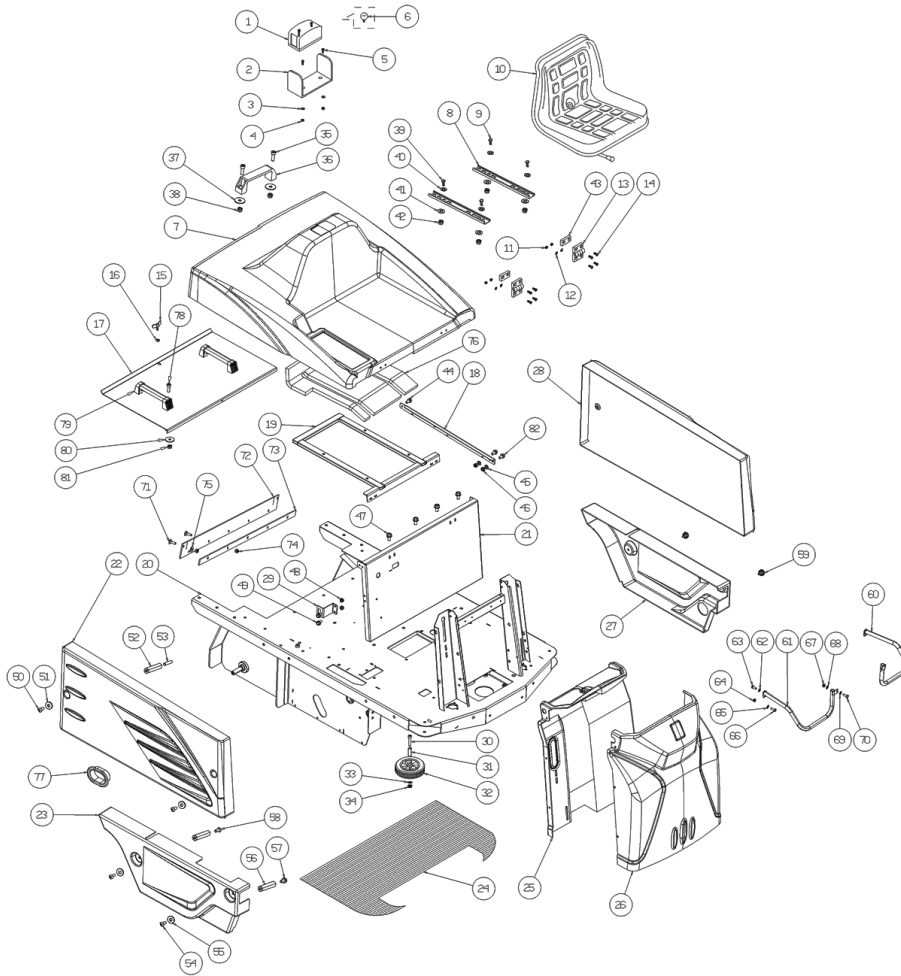
Ref.	K	Part N.	Customer Part N.	Description	Qty	Validity:		Price
						From	To	
0078		VTVT01529		SCREW TE M4X20 ZINC. UNI 5739	2,00			--
0079		VTDD04369		NUT M 4 TEF UNI 7473	2,00			--
0080		VTVT00527		SCREW TE FR 6X10 ZB ZIG.	3,00			--
0081		VTVT00659		SCREW TC+ M. 4-15	8,00			--
0082		MEVR01708		COLUMN -	4,00			--
0083		VTVT75726		SCREW TBEI M 6X 16 ISO 7380 ZB	2,00			--
0084		VTRS00503		WASHER D. 6 TE UNI 6798	2,00			--
0085		VTDD00491		NUT M 6 TEF	2,00			--
0086		VTVT01170		SCREW TC 2X16	2,00			--
0087		MERL00018		MICROSWITCH	1,00			--
0088		VTDD00213		NUT M2	2,00			--
0089		VTVT16939		SCREW M 4X 16 TSPEI UNI 5933	2,00			--
0090		VTDD04369		NUT M 4 TEF UNI 7473	2,00			--
0091		LAFN09383		BRACKET -	1,00			--
0092		VTVT01350		SCREW M3-20 INOX	2,00			--
0093		MERL00016		SWITCH RELAY 24V	1,00			--
0094		MERL00016		SWITCH RELAY 24V	1,00			--
0095		MECE00456		RELAY CT110	1,00			--
0096		MECE45124		PCB RELE' L.1400	1,00			--
0097		MECI75945		COMMUTAT.SWITCH3 POS. TK	1,00			--
0099		VTRS00501		WASHER D. 4 0.232 UNI 6592	2,00	10/2015		--
0100		LAFN09488		PLATE	1,00	10/2015		--
0101		MECI00532		CONTACTOR 24V-100A	1,00	10/2015		--
0102		MEVR00080		FUSE-HOLDER PV610 10A	1,00	10/2015		--
0103		MEVR00072		FUSE 2.5A F6.3X32-100/110V	1,00	10/2015		--
0104		VTVT34115		SCREW TE M 5X 10 UNI 5739	1,00	10/2015		--
0105		VTVT00005		SCREW TE FR 5X12 ZB	1,00	10/2015		--
0106		VTRS15958		WASHER D. 5 X15 UNI 6593	1,00	10/2015		--
0107		MTCR00029		SMALL CHAIN	0,17	10/2015		--
0108		LAFN07380		BRACKET G1050	1,00	10/2015		--



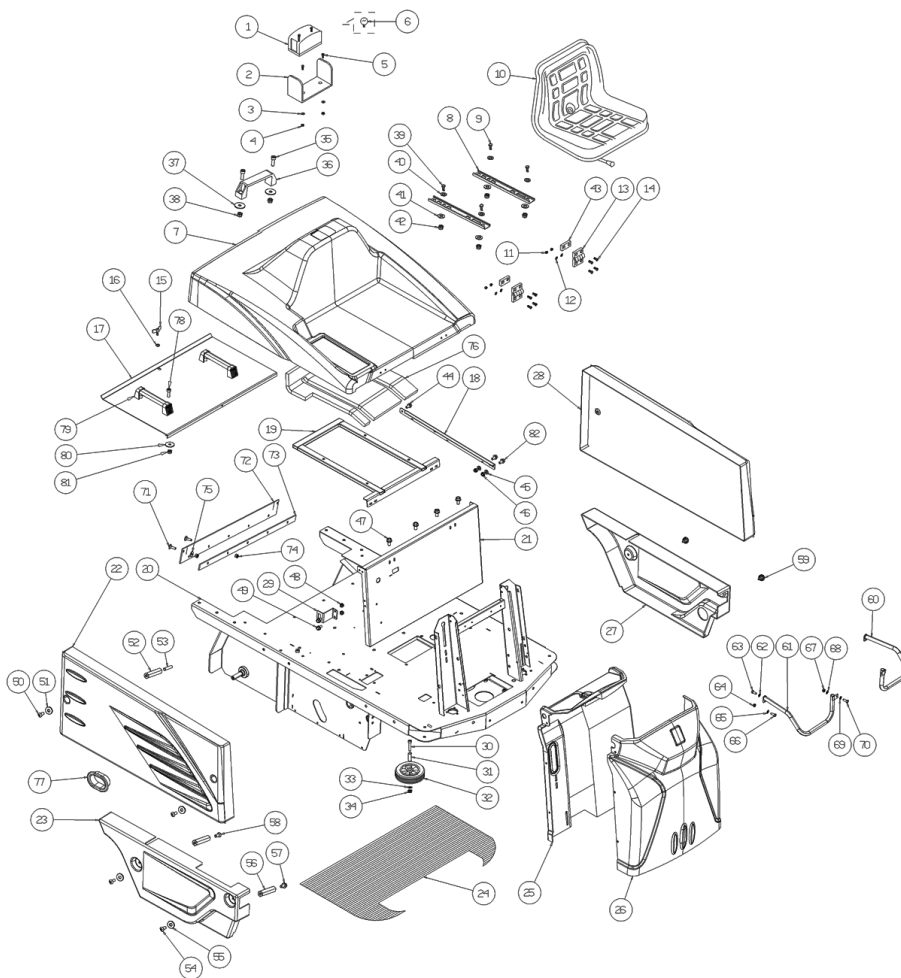
Ref.	K	Part N.	Customer Part N.	Description	Qty	Validity:		Price
						From	To	
0001		LAFN08175		DRAWER TK1000	1,00			--
0002		LAFN00433		WHEEL PIN D.15 L.70,5	2,00			--
0003		RTRT00013		WHEEL GOMMA D.125	2,00			--
0004		VTVR26502		HUB CAP D. 15	2,00			--
0005		VTRS00505		WASHER D.10 TE UNI 6592	2,00			--
0006		VTDD00042		NUT AUT.M10 UNI7474	2,00			--
0007		VTDD00491		NUT M 6 TEF	4,00			--
0008		VTRS04026		WASHER D. 6X18X2.38	4,00			--
0009		CHVR76643		SUPP.HOLDER	1,00			--
0010		VTVT75726		SCREW TBEI M 6X 16 ISO 7380 ZB	2,00			--
0011		CHVR76642		CLOSURE SW1000	1,00			--
0012		VTVT75726		SCREW TBEI M 6X 16 ISO 7380 ZB	2,00			--
0013		LAFN08194		HANDLE -	1,00			--
0014		VTVT63029		SCREW TCEI M 6X 35 UNI 5931 ZB	4,00			--
0015		MPVR06100		DRAWER -	2,00			--
0016		LAFN08149		REINFORCEMENT -	8,00			--
0017		VTDD00057		NUT UNI 5589 M8 BASSO ZB	4,00			--
0018		LAFN11080		HANDLE -	2,00			--
0020		GUVR00010		GASKET	1,80			--



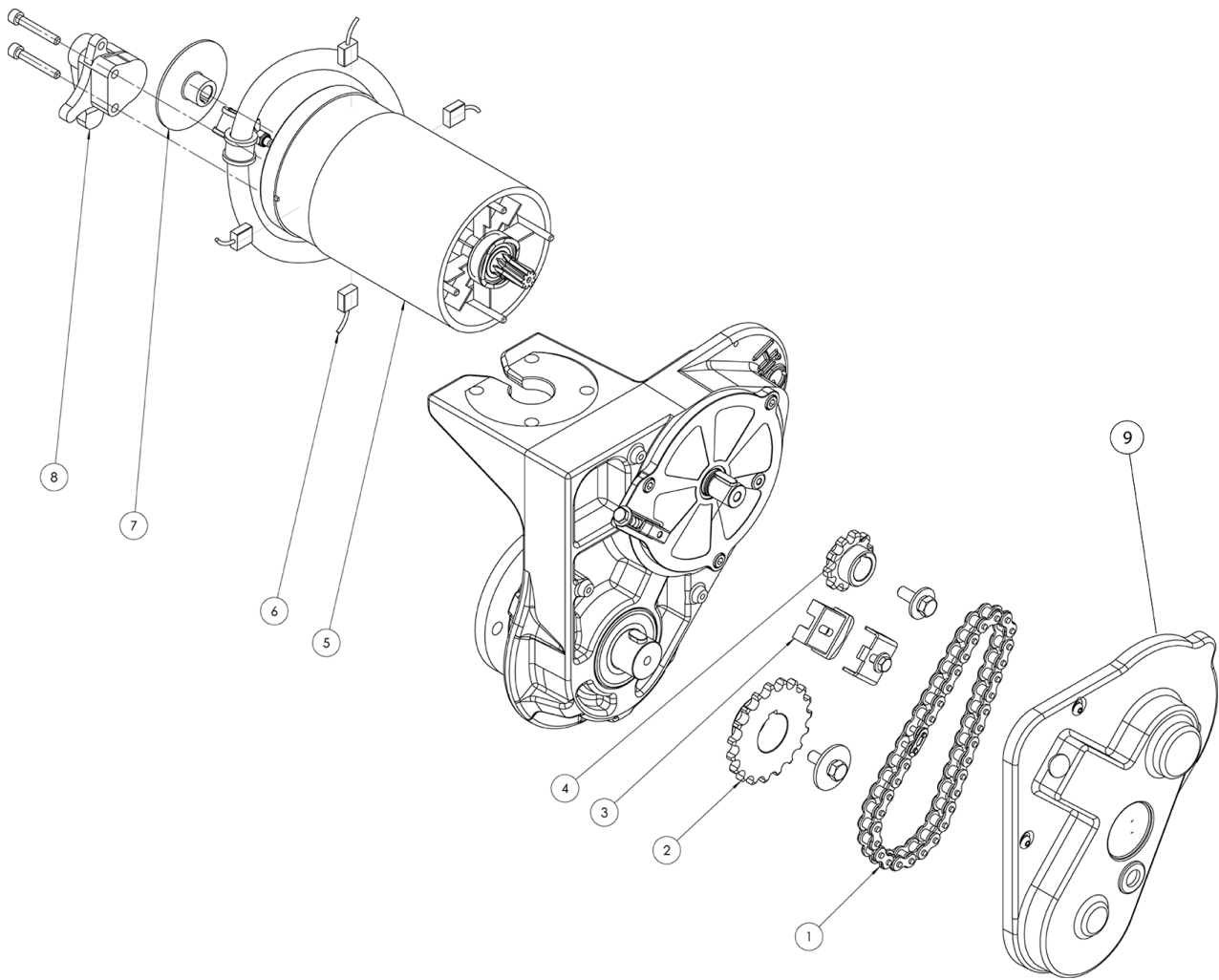
Ref.	K	Part N.	Customer Part N.	Description	Qty	Validity:		Price
						From	To	
0001		KTRI00103		LAMP FLASH 24V ORANGE	1,00			--
0002		KTRI00103		LAMP FLASH 24V ORANGE	1,00			--
0003		VTRS15958		WASHER D. 5 X15 UNI 6593	2,00			--
0004		VTDD08171		NUT M 5 TEF	2,00			--
0005		VTVT45339		SCREW TBEI M 5X 16 ISO 7380 ZB	2,00			--
0006		MELF33431		LAMP 24 V 21 W	1,00			--
0007		MPVR06087		HOOD -	1,00			--
0008		SESD45981		SEAT SC 73 L.14	1,00			--
0009		VTVT00017		SCREW TE UNI 5739 8X35 ZB	4,00			--
0010		SESD45981		SEAT SC 73 L.14	1,00			--
0011		VTDD00491		NUT M 6 TEF	4,00			--
0012		VTRS00503		WASHER D. 6 TE UNI 6798	4,00			--
0013		CEVR85332		HINGE MEB F D.6 TK	2,00			--
0014		VTVT06237		SCREW TCEI 6X20 UNI5931	4,00			--
0015		VTVR00044		WING NUT D.30 M6X20	1,00			--
0016		VTRS63242		WASHER D. 6 X24 ZC	1,00			--
0017		LAFN85308		COVER SW 1000 21201003	1,00			--
0018		LAFN08190		SHEET METAL PA.-	1,00			--
0019		LAFN08178		SUPPORT -	1,00			--
0020		LAFN36061		FRAME 1250-1280	1,00			--
0021		LAFN08179		PANEL -	1,00			--
0022		MPVR07159		BODY SIDE DX	1,00			--
0023		MPVR06096		CRANKCASE -	1,00			--
0024		MPVR00738		PLANE MILLERIG.1000E CON BIADES	1,00			--
0025		MPVR06094		SIDE PANEL -	1,00			--
0026		MPVR06093		SIDE PANEL -	1,00			--
0027		MPVR06095		CRANKCASE -	1,00			--
0028		MPVR06125		CONVEYOR SX	1,00			--
0029		LAFN08210		BRACKET -	2,00			--
0030		VTVT28307		SCREW TCCE UNI 5931 10X70 ZN	2,00			--
0031		LAFN47011		BUSHING L.14	2,00			--
0032		RTRT00013		WHEEL GOMMA D.125	2,00			--
0033		VTRS00505		WASHER D.10 TE UNI 6592	2,00			--
0034		VTDD00042		NUT AUT.M10 UNI7474	2,00			--
0035		VTVT00066		SCREW TCCE UNI 5931 8X25 ZB	2,00			--
0036		MPVR00411		HANDLE TRG	1,00			--
0037		VTRS00513		WASHER D. 8 X32 P.	2,00			--
0038		VTDD00124		NUT M 8 BASSO	2,00			--
0039		VTVT00017		SCREW TE UNI 5739 8X35 ZB	4,00			--



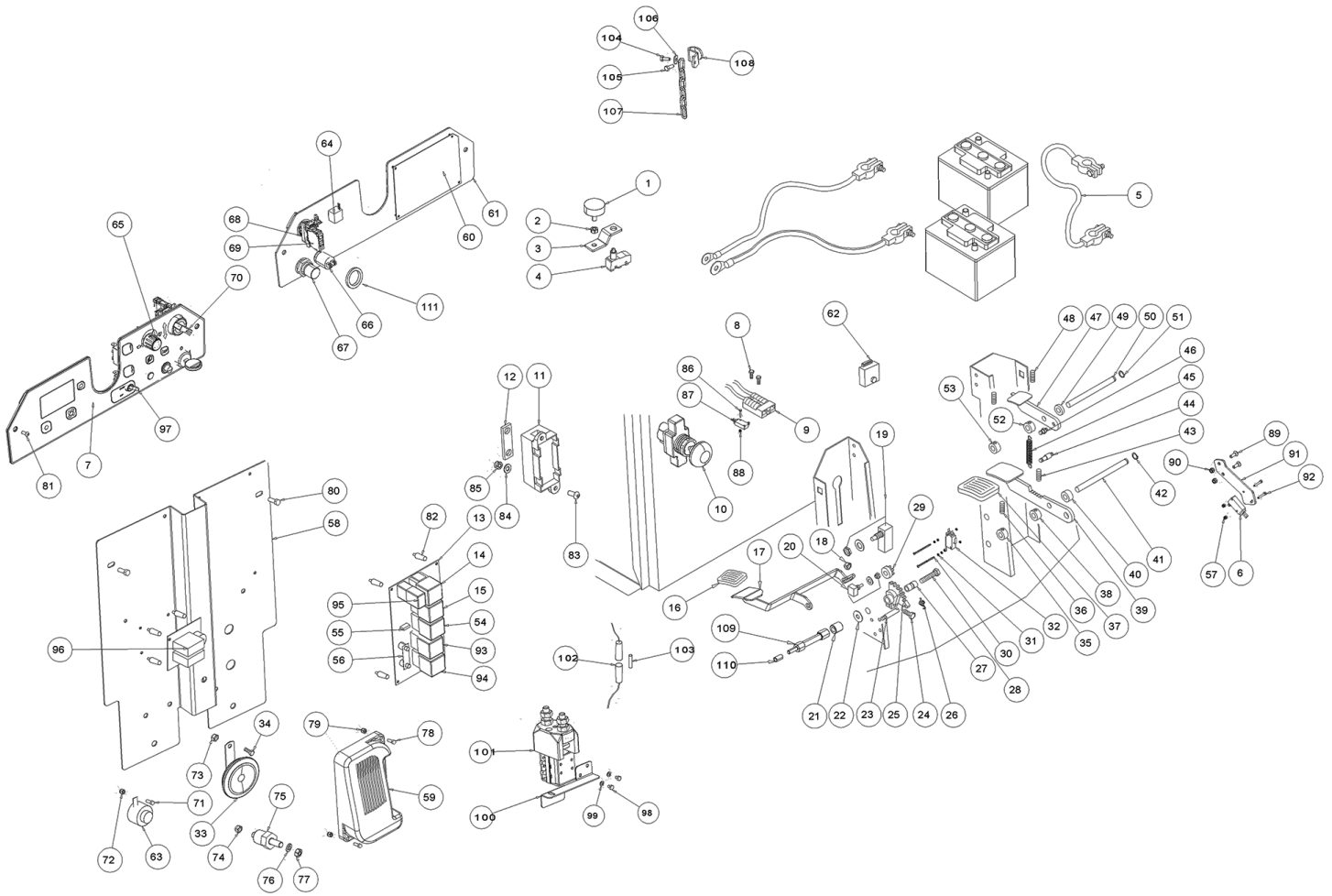
Ref.	K	Part N.	Customer Part N.	Description	Qty	Validity:		Price
						From	To	
0040		VTRS00504		WASHER D. 8 TE ZC. UNI 6592	2,00			--
0041		VTRS00512		WASHER D. 8 X24 ZC.	4,00			--
0042		VTDD00124		NUT M 8 BASSO	4,00			--
0043		LAFN07909		BRACKET -	2,00			--
0044		VTVT62920		SCREW TE F/ROND. M 6X 16 ZB	1,00			--
0045		VTRS00503		WASHER D. 6 TE UNI 6798	2,00			--
0046		VTDD00491		NUT M 6 TEF	2,00			--
0047		VTVT62920		SCREW TE F/ROND. M 6X 16 ZB	4,00			--
0048		VTDD00491		NUT M 6 TEF	4,00			--
0049		VTVT62920		SCREW TE F/ROND. M 6X 16 ZB	4,00			--
0050		VTVT75726		SCREW TBEI M 6X 16 ISO 7380 ZB	4,00			--
0051		VTRS04026		WASHER D. 6X18X2.38	4,00			--
0052		LAFN08211		SPACER -	4,00			--
0053		VTVT00900		GRUB SCREW M 6-30 CON ES	2,00			--
0054		VTVT75726		SCREW TBEI M 6X 16 ISO 7380 ZB	2,00			--
0055		VTRS04026		WASHER D. 6X18X2.38	2,00			--
0056		LAFN08211		SPACER -	2,00			--
0057		VTVT00527		SCREW TE FR 6X10 ZB ZIG.	2,00			--
0058		VTVT13515		SCREW TSPEI M6x16 UNI5933 10.9	2,00			--
0059		RTRT00022		HANDWHEEL D.30 M6X15	2,00			--
0060		LAFN08200		BUMPER -	1,00			--
0061		LAFN08201		BUMPER -	1,00			--
0062		VTRS00504		WASHER D. 8 TE ZC. UNI 6592	2,00			--
0063		VTVT00446		SCREW TE 8X20 UNI5739	2,00			--
0064		VTDD00124		NUT M 8 BASSO	2,00			--
0065		VTRS00504		WASHER D. 8 TE ZC. UNI 6592	2,00			--
0066		VTVT00446		SCREW TE 8X20 UNI5739	1,00			--
0067		VTDD00124		NUT M 8 BASSO	2,00			--
0068		VTRS00504		WASHER D. 8 TE ZC. UNI 6592	2,00			--
0069		VTRS00504		WASHER D. 8 TE ZC. UNI 6592	2,00			--
0070		VTVT00446		SCREW TE 8X20 UNI5739	2,00			--
0071		VTVT75721		SCREW TTDE UNI 5732 6 X 16 ZB	7,00	10/2014		--
0072		MPVR06431		FLAP -	1,00	10/2014		--
0073		LAFN86529		CLAMP FLAP	1,00	10/2014		--
0074		VTDD00491		NUT M 6 TEF	7,00	10/2014		--
0075		VTRS04026		WASHER D. 6X18X2.38	2,00	10/2014		--
0076		ITSO00074		INSULATOR -	1,00			--
0077		MPVR04698		FRAME FORO	1,00			--
0078		VTVT00066		SCREW TCCE UNI 5931 8X25 ZB	4,00	03/2015		--



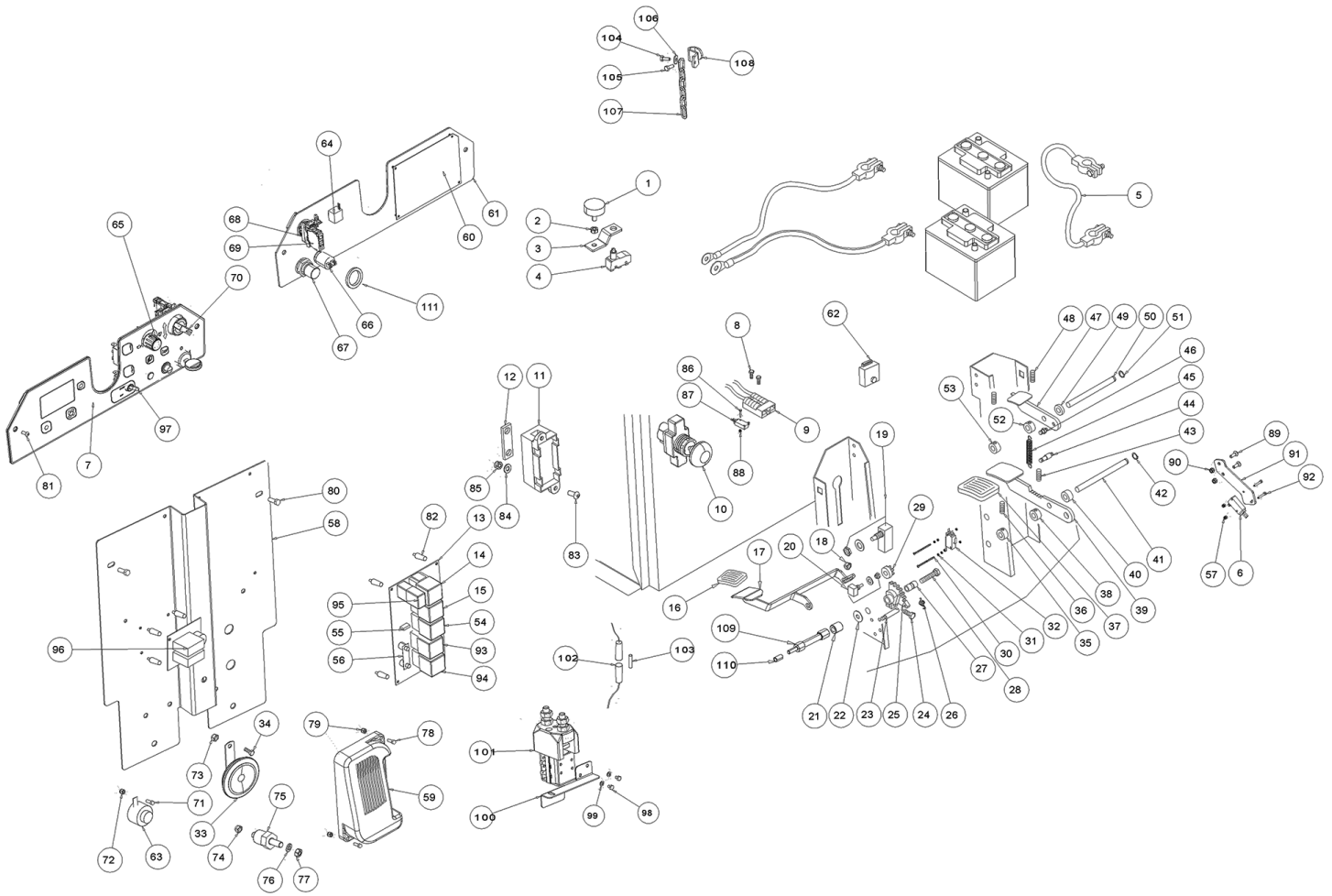
Ref. K	Part N.	Customer Part N.	Description	Qty	Validity:		Price
					From	To	
0079	MPVR00411		HANDLE TRG	2,00	03/2015		--
0080	VTRS00513		WASHER D. 8 X32 P.	4,00	03/2015		--
0081	VTDD00124		NUT M 8 BASSO	4,00	03/2015		--
0082	VTVT00527		SCREW TE FR 6X10 ZB ZIG.	2,00			--



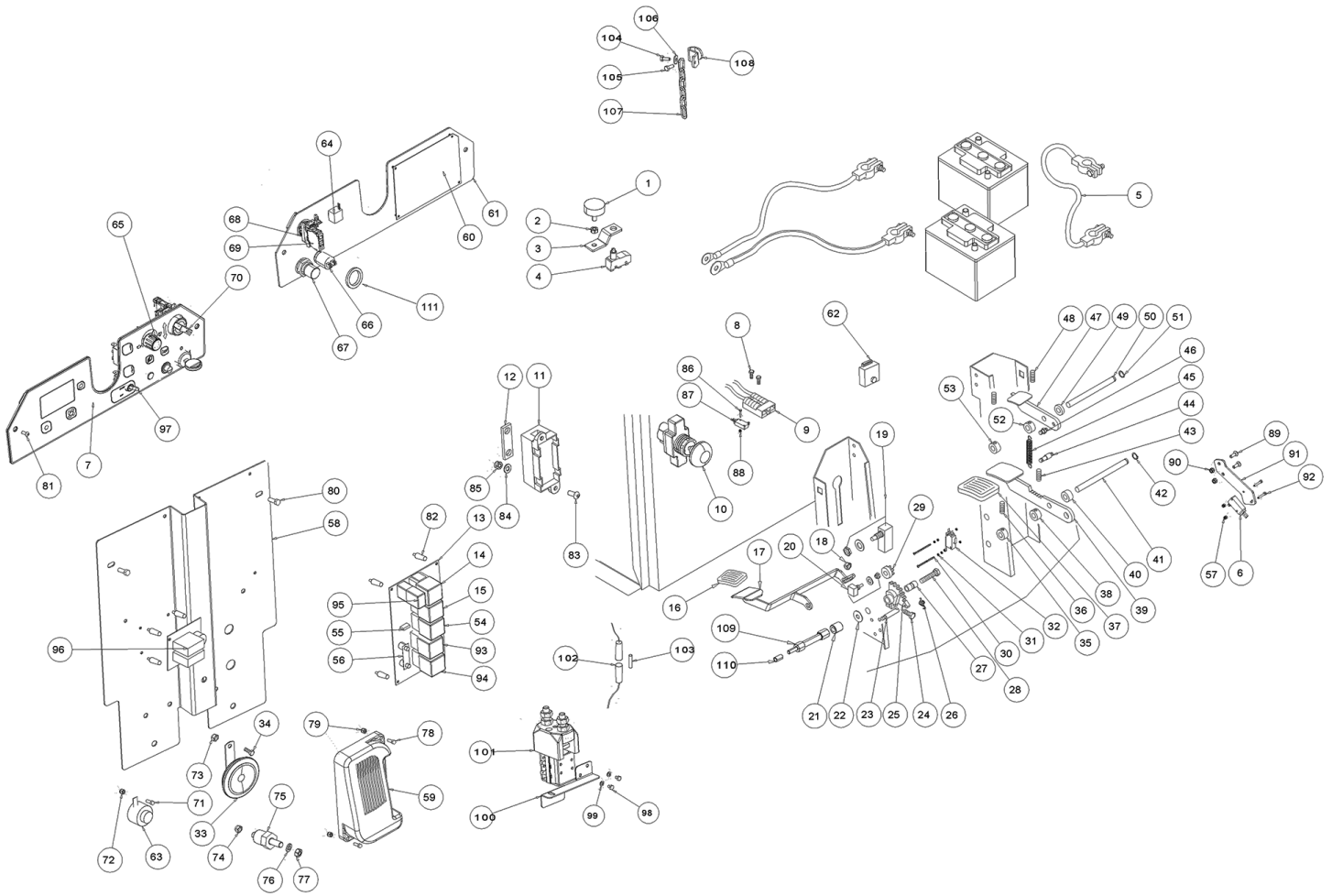
Ref.	K	Part N.	Customer Part N.	Description	Qty	Validity:		Price
						From	To	
0001		MTCR00104		CHAIN -	1,00			--
0002		MTIG00130		PINION 1/2"x5/16" Z19	1,00			--
0003		LAFN08226		CHAIN STRECHER -	1,00			--
0004		MTIG00129		PINION 1/2"x5/16" Z10	1,00			--
0005		MOCC00445		MOTOR 500W	1,00			--
0006		MEVR02107		KIT BRUSH	1,00			--
0007		LAFN08224		DISC -	1,00			--
0008		LAFN08225		PLIERS -	1,00			--
0009		MPVR11196		CRANKCASE MOTORWHEEL MOCC00434	1,00			--



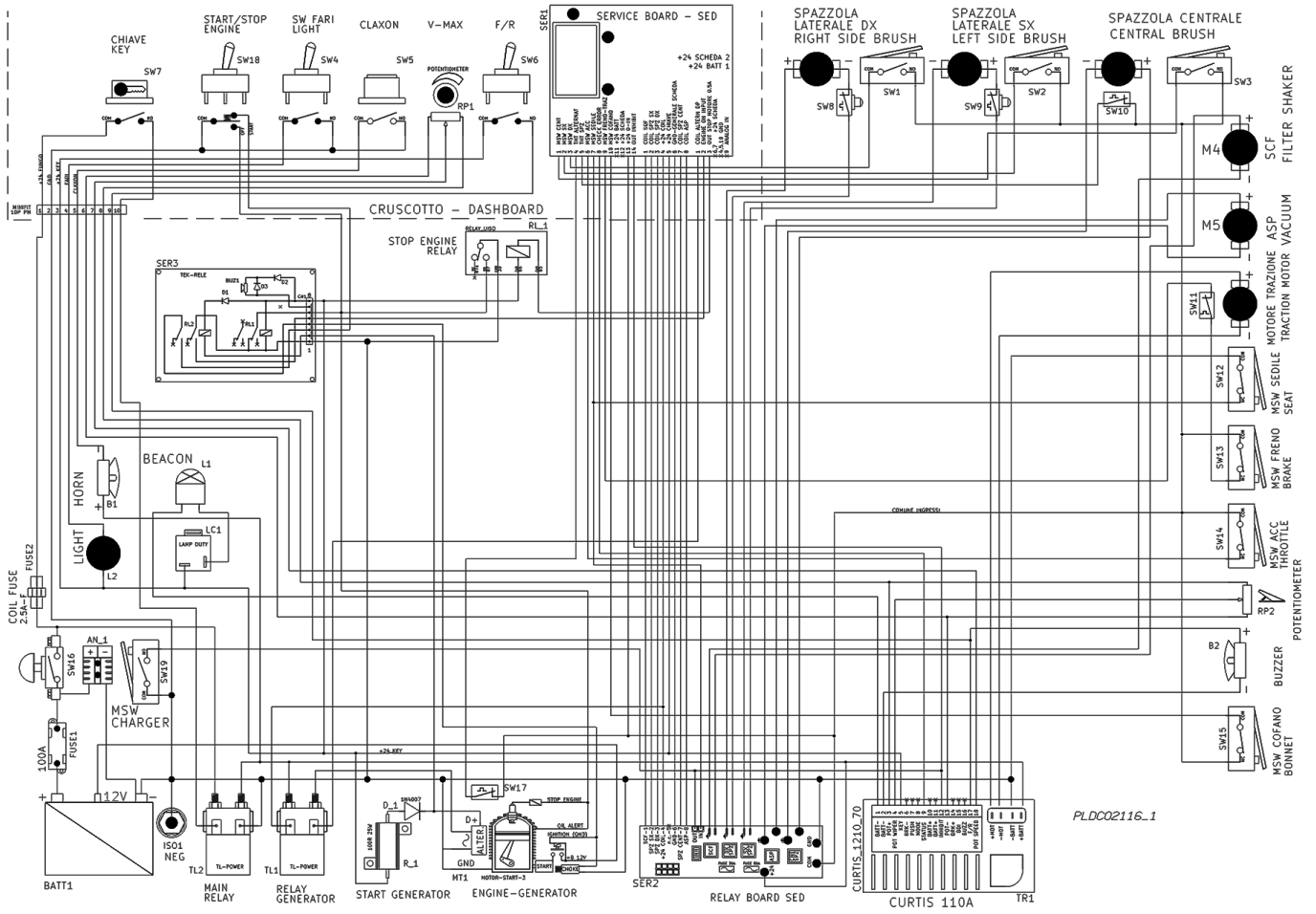
Ref.	K	Part N.	Customer Part N.	Description	Qty	Validity:		Price
						From	To	
0001		ABGO00026		VIBRATION DAMP.	2,00			--
0002		VTDD10776		NUT M 8 X1 UNI 5588	4,00			--
0003		LAFN07862		BRACKET -	1,00			--
0004		MECI75801		MICROSWITCH TK	1,00			--
0005		MEVR34820		WIRING B 450 BT	3,00			--
0006		MECI00114		MICROSWITCH	1,00			--
0007		ETET01798		LABEL -	1,00			--
0008		VTVT19236		SCREW TCEI 5X20 UNI 5931	2,00			--
0009		MEVR01079		PLUG M CB50 A 600V RD.	1,00			--
0010		MECI00571		BUTTON -	1,00			--
0011		MEVR00146		FUSE-HOLDER MEGA	1,00			--
0012		MEVR00145		FUSE 100A	1,00			--
0013		MECE00592		BOARD POWER SERVICE 1250-1280	1,00			--
0014		MECE00201		RELAIS 24V 10-20 A	1,00			--
0015		MECE00201		RELAIS 24V 10-20 A	1,00			--
0016		MPVR85654		RUBBER SWEEP 1000 TK13201006	1,00			--
0017		LAFN08165		PEDALE -	1,00			--
0018		VTDD00124		NUT M 8 BASSO	1,00			--
0019		MECI75801		MICROSWITCH TK	2,00			--
0020		KTRI02289		KIT 1250-80	1,00			--
0021		LAFN04042		SPACER D8.5-15	1,00			--
0022		VTRS00504		WASHER D. 8 TE ZC. UNI 6592	1,00			--
0023		LAFN75969		PIN D.9 H.33	1,00			--
0024		VTVT01688		SCREW TBEI M 8X 30 ISO 7380 IX	1,00			--
0025		MTIG85317		GEAR SW 1000	1,00			--
0026		MLML85997		SPRING D. 2 TK1000	1,00			--
0027		LAFN47084		BUSHING L.14	1,00			--
0028		VTVT00452		SCREW TE 8X 50 UNI 5739	1,00			--
0029		MTIG85318		GEAR SW 1000	1,00			--
0030		VTVT00021		SCREW TE UNI 5739 3X25 ZB	2,00			--
0031		VTDD00001		NUT UNI 5588 M3 ZB	4,00			--
0032		MECI30642		MICRO-SWITCH 11A 0.33HP	1,00			--
0033		MEVR02112		HORN 24V	1,00	10/2015		--
0033		MEVR33430		KLAXON K100/Y 1A 24V	1,00		10/2015	--
0034		VTVT00527		SCREW TE FR 6X10 ZB ZIG.	1,00			--
0035		LAFN47030		BUSHING L.14	1,00			--
0036		VTVT75731		SCREW UNI 5923 6 X5	1,00			--
0037		MPVR45096		RUBBER V 1201 GR.	1,00			--
0038		LAFN47030		BUSHING L.14	1,00			--



Ref.	K	Part N.	Customer Part N.	Description	Qty	Validity:		Price
						From	To	
0039		LAFN09344		PEDALE -	1,00			--
0040		LAFN47019		BUSHING L.14	1,00			--
0041		LAFN47036		PIN BRK.+FLAP L.14	1,00			--
0042		VTAE87276		SEEGER EXT. D10 DIN471	1,00			--
0043		VTVT75731		SCREW UNI 5923 6 X5	1,00			--
0044		LAFN47035		PIN CH.10 H.26	1,00			--
0045		MLML75960		SPRING D. 8 X1 X32	1,00			--
0046		LAFN47029		PIN CH.10 H.16	1,00			--
0047		LAFN47032		PEDALE L.14	1,00			--
0048		VTVT75731		SCREW UNI 5923 6 X5	1,00			--
0049		LAFN47033		BUSHING L.14	1,00			--
0050		LAFN47031		PIN L.14	1,00			--
0051		VTAE87276		SEEGER EXT. D10 DIN471	1,00			--
0052		LAFN47030		BUSHING L.14	1,00			--
0053		LAFN47030		BUSHING L.14	1,00			--
0054		MECE00201		RELAIS 24V 10-20 A	1,00			--
0055		MEVR01136		FUSE 30A	1,00			--
0056		MEVR02060		FUSE 40A	1,00			--
0057		VTDD21115		NUT M 3 INOX	2,00			--
0058		LAFN08202		PLATE -	1,00			--
0059		MECE00601		BOARD 1250-1280	1,00			--
0060		MECE00591		BOARD LOGIC 1250-1280	1,00			--
0061		LAFN08204		BOARD -	1,00			--
0062		MEVR02017		BEEPER -	1,00			--
0063		MECE00182		BUZZER	1,00			--
0064		MEVR01941		POTENTIOMETER 100K	1,00			--
0065		KTRI01935		KIT 1050-1202	1,00			--
0066		MEVR85330		BUTTON -	1,00			--
0067		MECI75805		SWITCH TK	1,00			--
0068		MECI00520		SMALL BASKET FIX TO FIX CONTACT	1,00			--
0069		MECI00518		CONTACT NC	1,00			--
0070		MECI00572		SELECTOR -	1,00			--
0071		VTVT00311		SCREW TE M4X12	1,00			--
0072		VTDD04368		NUT M 4 ZIN UNI 5588	1,00			--
0073		VTDD00491		NUT M 6 TEF	1,00			--
0074		VTDD00124		NUT M 8 BASSO	2,00			--
0075		MEVR01116		SUPPORT FUSIBILE 120 A	2,00			--
0076		VTRS01080		WASHER D. 8 GRW	2,00			--
0077		VTDD00483		NUT M 8 ZIN UNI 5588	2,00			--



Ref.	K	Part N.	Customer Part N.	Description	Qty	Validity:		Price
						From	To	
0078		VTVT01529		SCREW TE M4X20 ZINC. UNI 5739	2,00			--
0079		VTDD04369		NUT M 4 TEF UNI 7473	2,00			--
0080		VTVT00527		SCREW TE FR 6X10 ZB ZIG.	3,00			--
0081		VTVT00659		SCREW TC+ M. 4-15	8,00			--
0082		MEVR01708		COLUMN -	4,00			--
0083		VTVT75726		SCREW TBEI M 6X 16 ISO 7380 ZB	2,00			--
0084		VTRS00503		WASHER D. 6 TE UNI 6798	2,00			--
0085		VTDD00491		NUT M 6 TEF	2,00			--
0086		VTVT01170		SCREW TC 2X16	2,00			--
0087		MERL00018		MICROSWITCH	1,00			--
0088		VTDD00213		NUT M2	2,00			--
0089		VTVT16939		SCREW M 4X 16 TSPEI UNI 5933	2,00			--
0090		VTDD04369		NUT M 4 TEF UNI 7473	2,00			--
0091		LAFN09383		BRACKET -	1,00			--
0092		VTVT01350		SCREW M3-20 INOX	2,00			--
0093		MERL00016		SWITCH RELAY 24V	1,00			--
0094		MERL00016		SWITCH RELAY 24V	1,00			--
0095		MECE00456		RELAY CT110	1,00			--
0096		MECE45124		PCB RELE' L.1400	1,00			--
0097		MECI75945		COMMUTAT.SWITCH3 POS. TK	1,00			--
0099		VTRS00501		WASHER D. 4 0.232 UNI 6592	2,00	10/2015		--
0100		LAFN09488		PLATE	1,00	10/2015		--
0101		MECI00532		CONTACTOR 24V-100A	1,00	10/2015		--
0102		MEVR00080		FUSE-HOLDER PV610 10A	1,00	10/2015		--
0103		MEVR00072		FUSE 2.5A F6.3X32-100/110V	1,00	10/2015		--
0104		VTVT34115		SCREW TE M 5X 10 UNI 5739	1,00	10/2015		--
0105		VTVT00005		SCREW TE FR 5X12 ZB	1,00	10/2015		--
0106		VTRS15958		WASHER D. 5 X15 UNI 6593	1,00	10/2015		--
0107		MTCR00029		SMALL CHAIN	0,17	10/2015		--
0108		LAFN07380		BRACKET G1050	1,00	10/2015		--
0109		LAFN08166		PIN -	1,00			--
0110		LAFN03742		SPACER SILENZIATORE	1,00			--
0111		VTRS00023		WASHER DENTATA INT.UNI 6798 D.18	1,00	11/2016		--



Ref.	K	Part N.	Customer Part N.	Description	Qty	Validity:		Price
						From	To	
SER1		MECE00591		BOARD LOGIC 1250-1280	1,00			--
SER2		MECE00592		BOARD POWER SERVICE 1250-1280	1,00			--
TR1		MECE00601		BOARD 1250-1280	1,00			--