

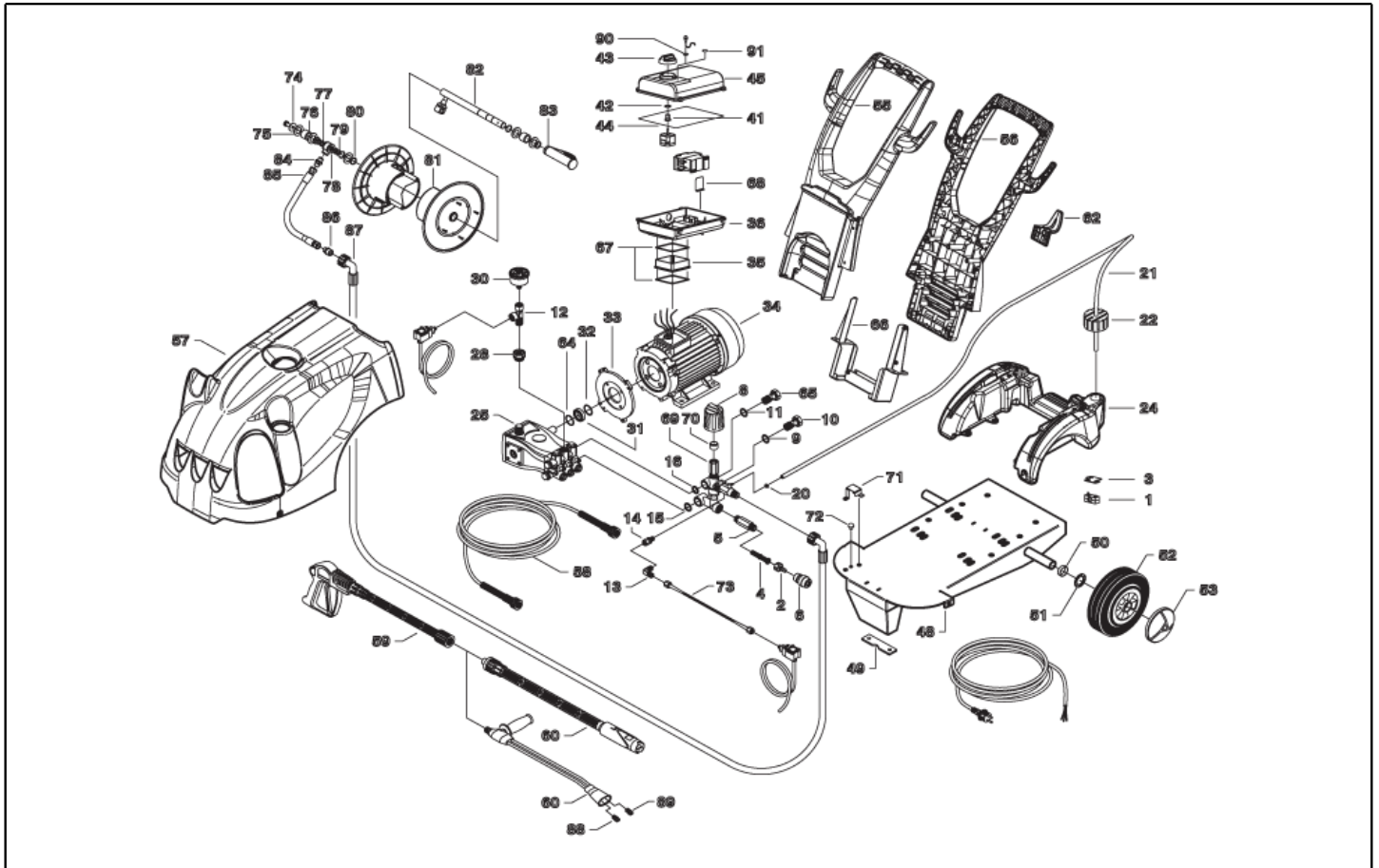


IPC

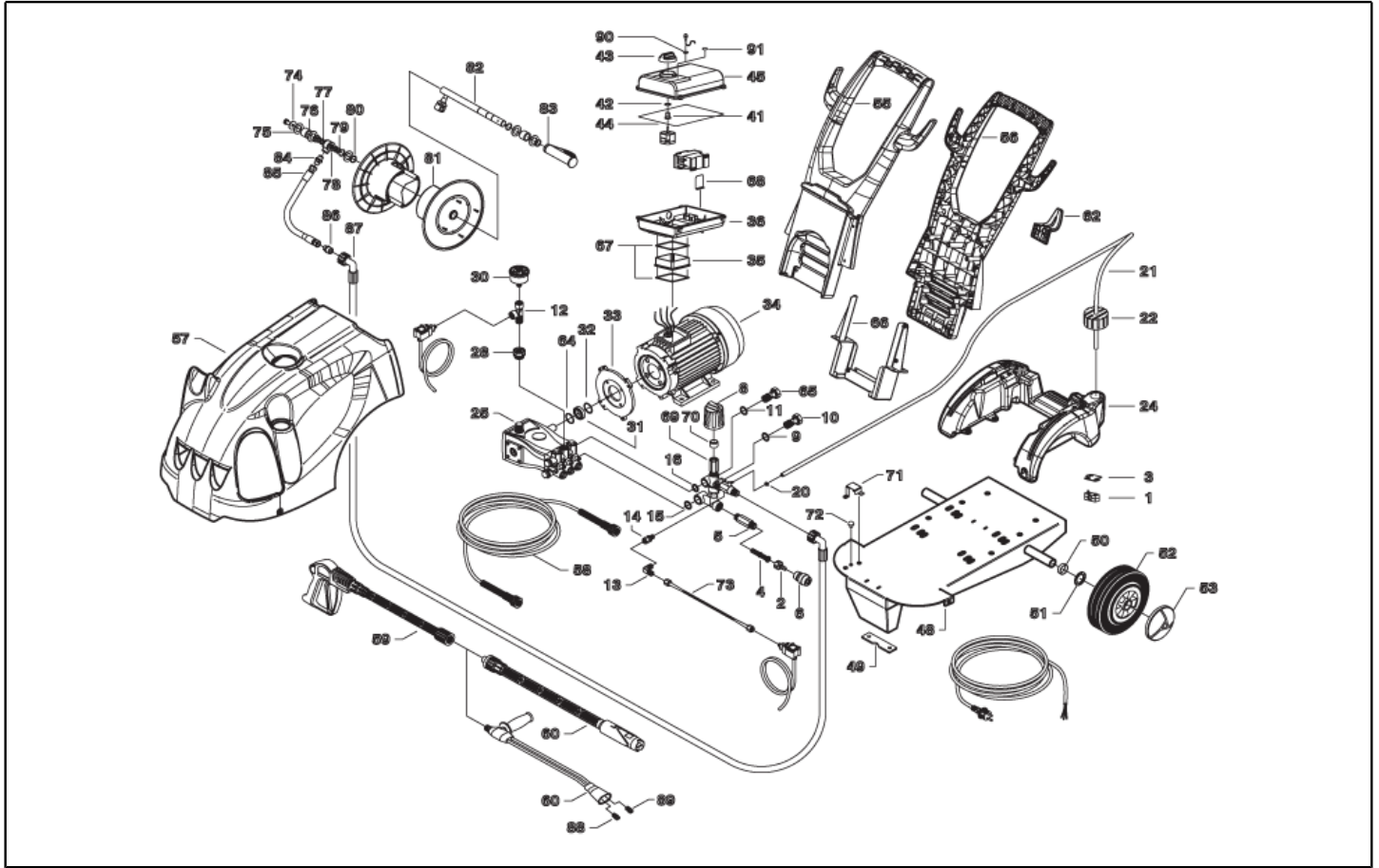
Spare parts list

Ref: IDAF40330

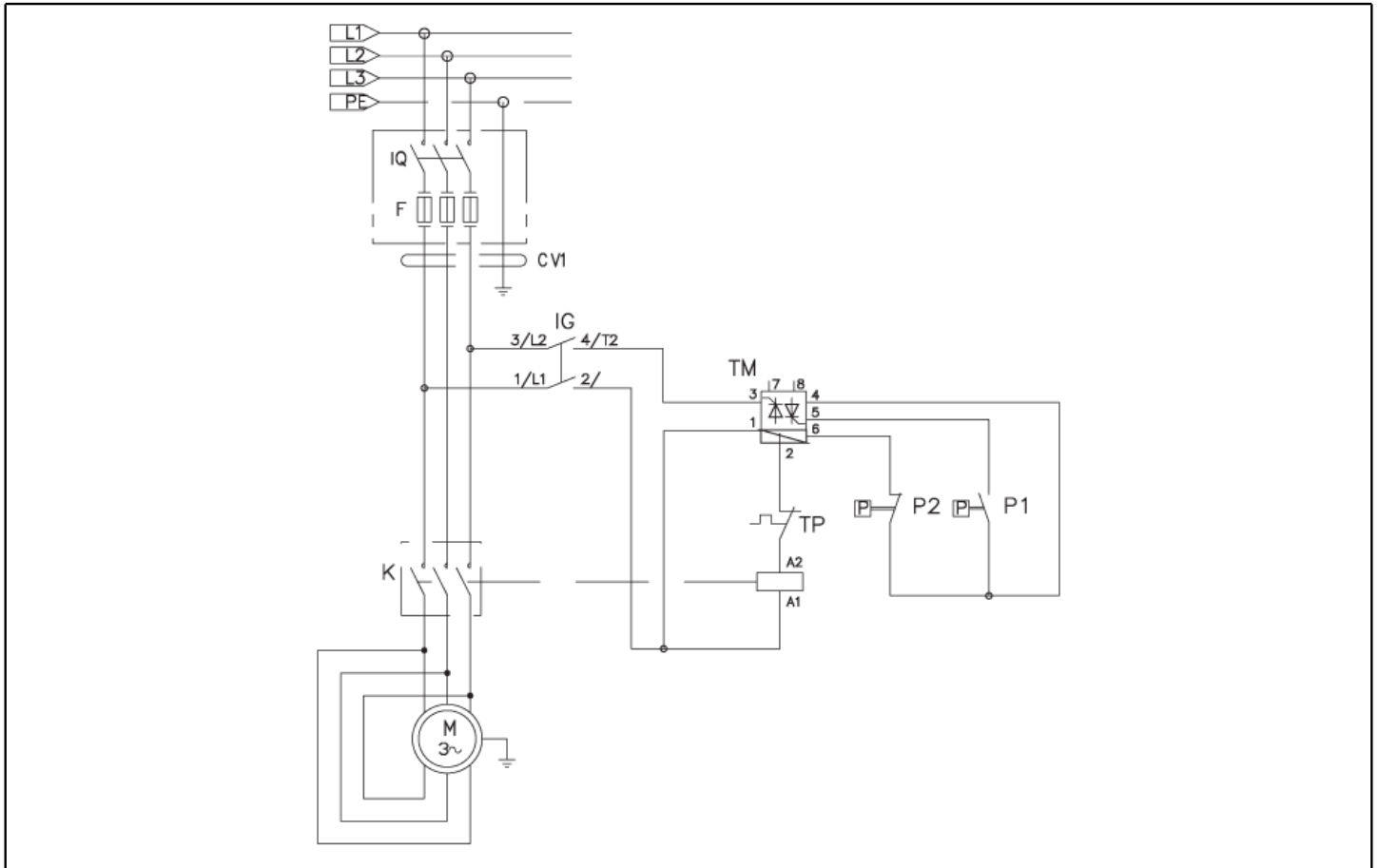
Model: H.P. CLEANER PW-C50P D2117P T230/50IPC



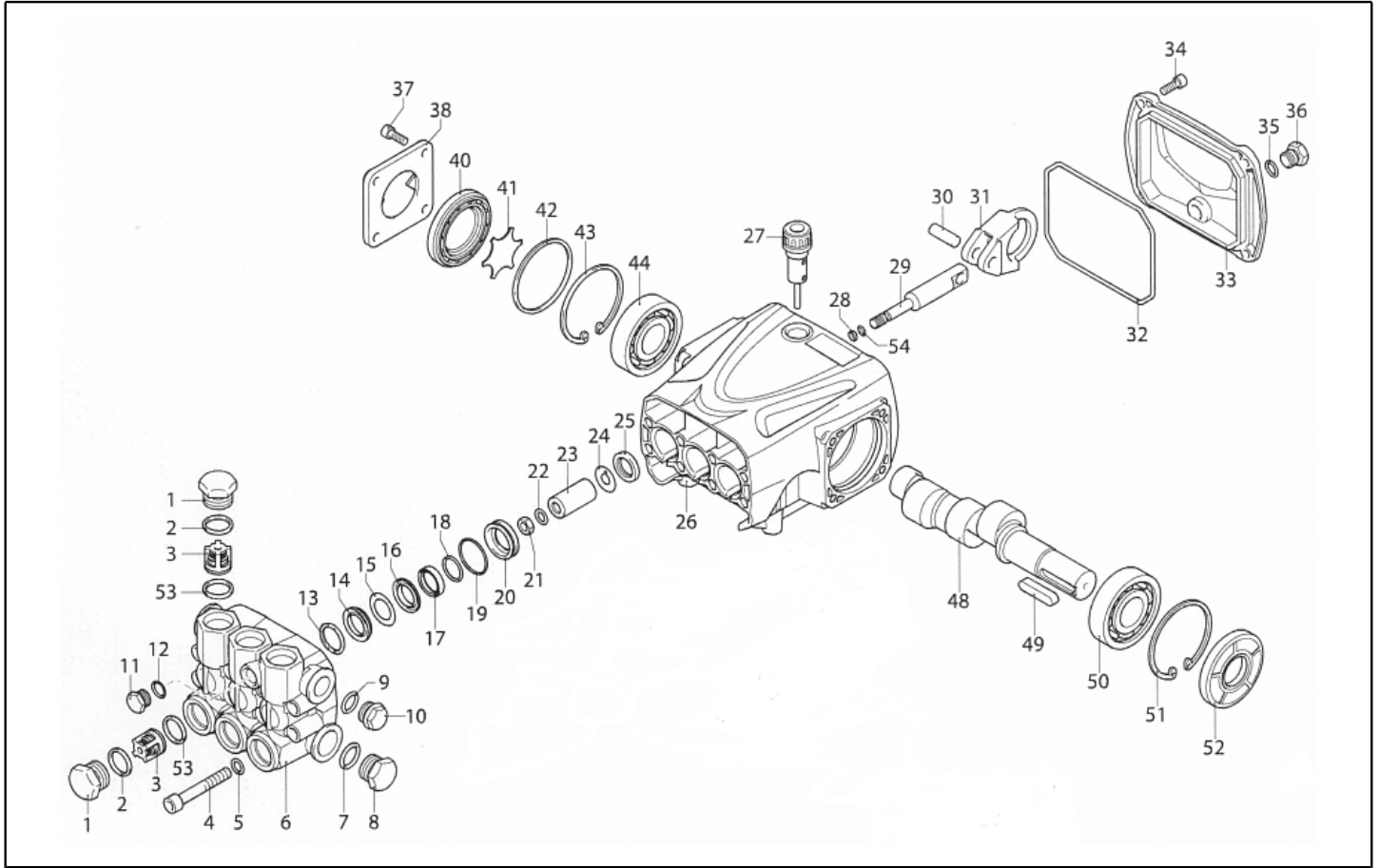
Ref. K	Part n.	Customer part n.	Description	Quantity	Validity		Price
					From	To	
0001	MEVR20906	00020906	CABLE CLAMP KSM	1,00			--
0002	RCVR29600	00029600	SOCKET PTC 3/4 F	1,00			--
0003	LAFN40457		SUPPORT PW-C40	1,00			--
0004	FTAC30214	00030214	FILTER D.15X67	1,00		31/07/2012	--
0004	FTDT12702	00012702	FILTER PA	1,00	01/08/2012		--
0005	RCDS42051	00042051	NIPPLE 3/4 - 1/2 RYL	1,00		31/07/2012	--
0005	RCDS87610	00087610	NIPPLE 3/4 - 1/2 CB D.13.0	1,00	01/08/2012		--
0006	RCVR29602	00029602	CONNECTOR D. 1/2"-5/8" PTC	1,00			--
0008	MPVR09436	00009436	BLACK KNOB ST 260	1,00		20/06/2014	--
0008	MPVR40589		BLACK KNOB ST 260 IPC	1,00	21/06/2014		--
0009	GUGO01048	00001048	O-RING D. 15.88 X 2.62 NBR 70SH	2,00	10/07/2013		--
0009	VTRS00549	00000549	WASHER D.21,5X27X1.5 (1/2) RM	2,00		09/07/2013	--
0010	RCDS12486	00012486	SCREW G 1/2 L=48.5	1,00		09/07/2013	--
0010	RCDS40171		SCREW G 1/2 VRF-2 OT. 2F.	1,00	10/07/2013		--
0011	GUGO03510	00003510	O-RING D. 12.37 X 2.62 NBR 70SH	2,00	10/07/2013		--
0011	VTRS00548	00000548	WASHER D.17,5X23X1.5 (3/8)RM	2,00		09/07/2013	--
0012	RCVR72867		CONNECTOR A "T" 1/8" FFM	1,00			--
0013	RCVR35844	00035844	ELBOW 1/4-1/8 M/M NIK	1,00		31/03/2013	--
0013	RCVR34780	00034780	ELBOW 1/8" M/F A10	1,00	01/04/2013	11/06/2013	--
0013	RCDS40176		ELBOW 1/8" M/F CN. L=24 OT.	1,00	01/10/2013		--
0014	RCVR02589	00002589	SLEEVE 1/8-1/4 F A6	1,00	01/10/2013		--
0021	TBBP62474	00062474	L.P. HOSE D. 7-10 CR.	0,45			--
0022	MPVR60848	00060848	TANK CAP 1-1/4F	1,00			--
0024	MPVR40353		TANK PW-C50 PEHD	1,00			--
0025	PPAP40058		PUMP RR 15.20 DX N	1,00			--
0028	PVVR40175		CAP AR RR C/F. 1/8F+OR	1,00			--
0030	MNMN18650	00018650	PRESSURE GAUGE 0-300 D.40	1,00			--
0031	RCDS25578	00025578	BUSHING IP WW141 OT.	1,00			--
0032	GUGO21339	00021339	O-RING D. 29.82 X 2.62 VIT 70SH	1,00			--
0033	MFVR21309	00021309	COUNTERFLANGE MEC 90-100-112	1,00			--
0034	MOTR40030		3PH MOTOR C50 HP7.5 23-400/50C RR/K	1,00			--
0035	MPVR40348		SPACER C50 H.22 PP	1,00			--
0036	MPVR40334		CONTROL BOX PW-C4/50 ABS BK.	1,00			--
0041	MPVR23482	00023482	SWITCH TANG TEC. TUV	1,00			--
0042	GUGO25527	00025527	O-RING D. 14 X 3 NBR 70SH	1,00			--
0043	MPVR49057	00049057	BLACK KNOB P176-M.RACE PA6	1,00			--
0044	GUGO33675	00033675	JOINT MOUSSE D. 4	0,90			--
0045	MPVR40335		BOX COVER PW-C40 ABS BK.	1,00			--
0048	LAFN40472		CHASSIS PW-C50	1,00			--
0049	MPVR10079	00010079	FOOT SUPPORT N S.JET	1,00			--
0050	MPVR29447	00029447	SPACER D. 26-30 L=10 PVC	4,00			--
0051	VTRS09813	00009813	WASHER D.25	2,00			--
0052	RTRT40002		WHEEL D.260 3.00-4 D.25 S.PI.NY	2,00			--
0053	MPVR28995	00028995	GREY HUB CAP D. 110	2,00			--



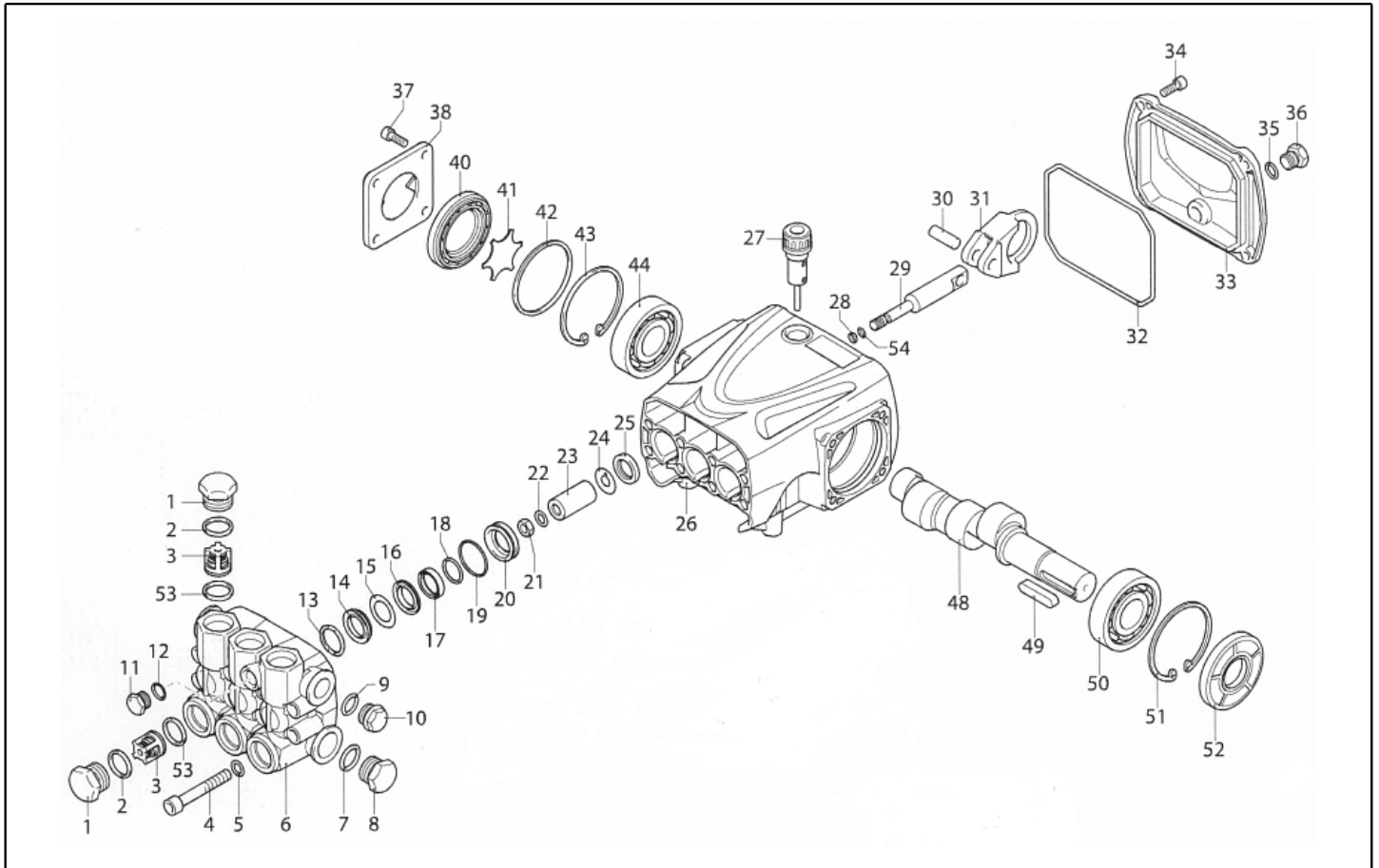
Ref. K	Part n.	Customer part n.	Description	Quantity	Validity		Price
					From	To	
0055	MPVR40332		HANDLE PW-C4/50 ANT. PP BK.	1,00			--
0056	MPVR40331		HANDLE PW-C4/50 PST. PP BK.	1,00			--
0057	MPVR40342		GREEN COVER PW-C50 PPL V.368C	1,00			--
0058	TBAP40062		H.P. HOSE R1 MT 15 5/16" C/2 IRV ZC	1,00			--
0059	IPPR40010		GRIP G 5100+P.330 +M22 SW.M V	1,00		29/02/2016	--
0059	IPPR40020		GRIP G 6000+P.330 +M22 SW.M V	1,00	01/03/2016		--
0060	LCPR40047		EXTENSION P 580 - T10P 1.45 GIO	1,00			--
0060	LCPR40054		LANCE TURBO TPR-25+SF230 D.1,30	1,00	17/02/2012		--
0062	MPVR80139	00080139	HOSE REEL H110	1,00		04/05/2012	--
0062	MPVR80139	00080139	HOSE REEL H110	1,00	05/05/2012		--
0064	GUGO21337	00021337	O-RING D. 25.07 X 2.62 VIT 70SH	1,00			--
0065	RCDS12495	00012495	SCREW G 3/8 L=48.5	1,00		09/07/2013	--
0065	RCDS40172		SCREW 3/8 VRF-2 OT 4F.	1,00	10/07/2013		--
0066	LAFN40456		BRACKET PW-C40 BK.	1,00			--
0067	GUGO10881	00010881	GASKET M.EL. 73X73	1,00			--
0067	GUGO10881	00010881	GASKET M.EL. 73X73	1,00			--
0068	LAFN40458		SUPPORT PW-C40 INX	1,00			--
0069	VVAZ40018		VALVE MV 625 AR-R AF I.2.1 RG.	1,00		31/01/2013	--
0069	VVAZ40029		VALVE VRF-2 AR-R AF I.2.1	1,00	01/10/2013		--
0070	PVVR40273		ADAPTER VRF-2 RG.	1,00	01/02/2013		--
0071	LAFN40478		BRACKET PW-C50	1,00		31/03/2013	--
0072	MPVR40391		FOOT GM. TY.2 D.13.5/6 L.6 TPE	1,00		31/03/2013	--
0073	TBAP40087		POLYAMIDE HOSE L=320 1/4 F-F	1,00		31/03/2013	--
0073	RCDS40167		CONNECTOR L= 70 2X1/8M CN. IX.	1,00	01/10/2013		--
0074	VTRS40016		WASHER D.22 X32 X1.2 ZC.	2,00	26/01/2012		--
0075	VTRS04924	00004924	WASHER D.23X 39	2,00			--
0076	MPVR40333		SPACER D. 20.5-30 L=23 POM	2,00			--
0077	GUGO01032	00001032	O-RING D. 17.13 X 2.62 NBR 70SH	2,00			--
0078	RCDS89862		BLOCK PRT-P237 G3/8 OT.	1,00			--
0079	GUVR37665	00037665	ANTI-EXTR.RING D.17.8X22 X1.5 PTFE	2,00			--
0080	VTAE33674	00033674	CIRCLIP D. 22 UNI 7435	6,00			--
0081	MPVR37152	00037152	HOSE REEL PRT PP	2,00		30/09/2013	--
0081	MPVR40581		HOSE REEL PRT.ANM PP	2,00	01/10/2013		--
0082	LAFN48953	00048953	AXLE PRT 2V. 3PZ.	1,00	10/06/2003		--
0083	MPVR31495	00031495	HANDLE PRT D. 3.5	1,00			--
0084	RCDS00610	00000610	NIPPLE 3/8 - 3/8 SV	1,00			--
0085	TBAP40083		HOSE-FITTING 3/ 8 R2 L=460 0- 0° 3/8F	1,00			--
0086	RCIN09348	00009348	MALE COUPLING 3/8MA L=32	1,00			--
0087	TBAP40092		HOSE-FITTING 3/ 8 R1 L=660 2/IRV F 90°	1,00			--



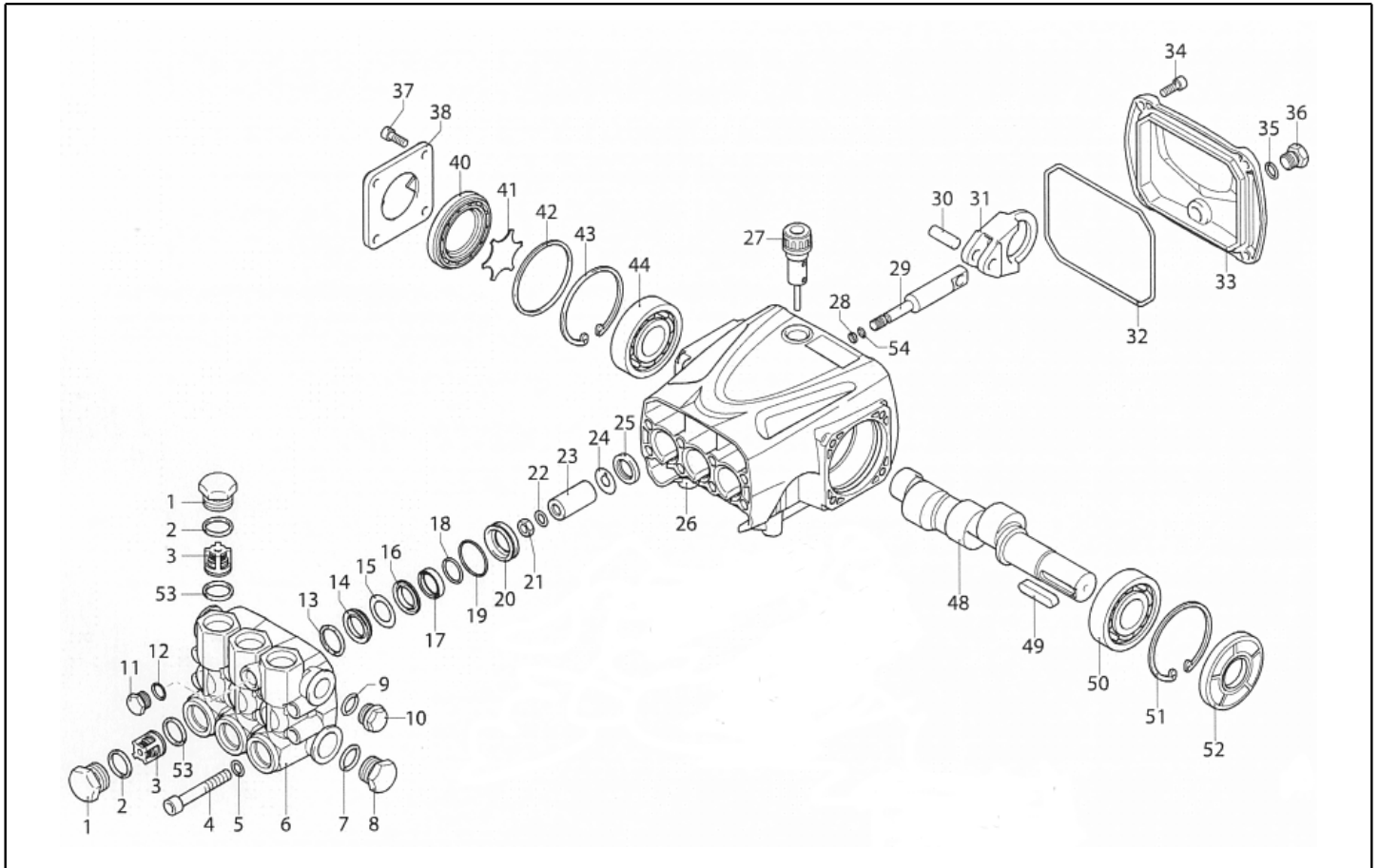
Ref. K	Part n.	Customer part n.	Description	Quantity	Validity		Price
					From	To	
K	METT40023		CONTACTOR SIE 3RT 2026-1AL20 230V	1,00	20/11/2014		--
K	METT41887	00041887	CONTACTOR SIE 3RT 1026 1AL20 230V	1,00		19/11/2014	--
IG	MECI40020		SWITCH BRM BP. 0-1 12A	1,00			--
P1	MEPF39741	00039741	PRESSURE SWITCH MTM 1/8M NA/NC 25B. MICRO	1,00			--
P2	MEPF39902	00039902	PRESSURE SWITCH MTM 1/4M NA/NC 25B. MICRO	1,00			--
TM	METY37440	00037440	TIMER THV/1S 150-250V 30S.5/60	1,00		31/08/2015	--
TM	METY40002		TIMER THV/1 220-5/60 30S. 2P	1,00	01/09/2015		--
CV1	MECB89888		CABLE H07 RNF 4X2.5 L=6.500	1,00			--



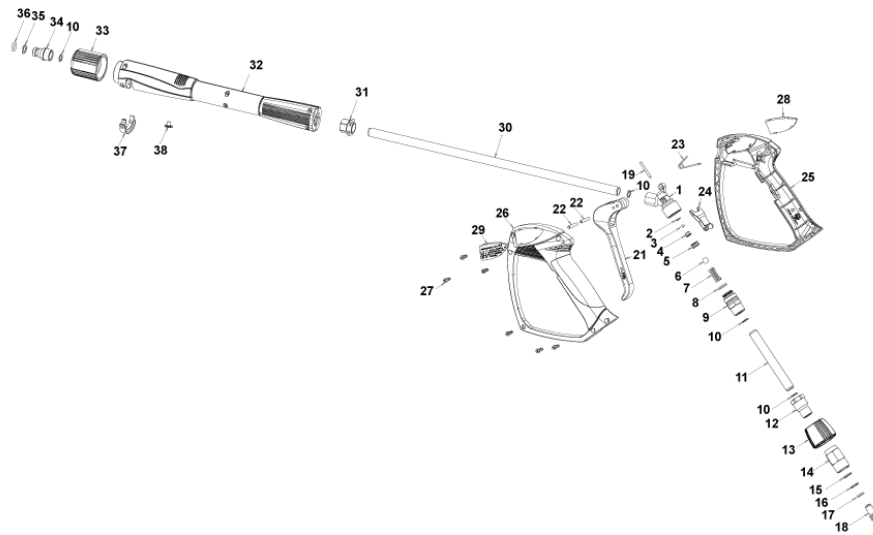
Ref. K	Part n.	Customer part n.	Description	Quantity	Validity		Price
					From	To	
0001	PVVR40161		CAP AR RR	6,00			--
0002	GUGO03502	00003502	O-RING D. 17.86 X 2.62 NBR 70SH	6,00			--
0003	S VVAM40003		VALVE UNIT RR	6,00			--
0004	VTVT63018		SCREW TCEI M 8X55 ZC U.5931	8,00			--
0005	VTRS14242	00014242	WASHER D. 8.4X13X0.8 UNI7064 SCH	8,00			--
0006	MFVR40028		HEAD AR RR OT.	1,00			--
0007	GUGO19245	00019245	O-RING D. 17.5 X 2 NBR 70SH	1,00			--
0008	PVVR40121		CAP 1/2 M RC	1,00			--
0009	GUGO09720	00009720	O-RING D. 14 X 1.78 NBR 70SH	1,00			--
0010	PVVR40099		CAP 3/8 M HRM	1,00			--
0011	PVVR40129		CAP 1/4 M RC	1,00			--
0012	GUGO01036	00001036	O-RING D. 10.82 X 1.78 NBR 70SH	1,00			--
0013	S PVVR40122		HEAD RING D. 18 RC	3,00			--
0014	S GUVR40035		PACKING D. 18 RC H.P.	3,00			--
0015	S GUVR40043		ANTI-EXTR.RING D.18X28	3,00			--
0016	S PVVR40162		INTERMED. RING D. 18 RR	3,00			--
0017	S GUVR40036		PACKING D. 18 RC L.P.	3,00			--
0018	S GUVR40037		ANTI-EXTR.RING D.21	3,00			--
0019	S GUGO19290	00019290	O-RING D. 23.52 X 1.78 NBR 70SH	3,00			--
0020	S PVVR40163		PACKING RETAIN. D. 18 RR	3,00			--
0021	VTDD00483	00000483	NUT M 8 ZIN UNI 5588	3,00			--
0022	VTRS19394	00019394	WASHER D. 8X13X0.5	3,00			--
0023	S PIVR40007		PISTON D.18 RR	3,00			--
0024	PVVR19233	00019233	DISC XTS	3,00			--
0025	S GUGO09690	00009690	OIL SEAL 15X 24X 5 NBR70	3,00			--
0026	MFVR40030		PUMP CRANKCASE AR RR	1,00			--
0027	PVVR19231	00019231	OIL CAP XTS	1,00			--
0028	GUGO08071	00008071	O-RING D. 4.48 X 1.78 NBR 70SH	3,00			--
0029	PVVR40176		PISTON GUIDE RR	3,00			--
0030	PVVR40178		GUDGEON D. 9 RR	3,00			--
0031	BLVR40002		CONNECTING ROD RR	3,00			--
0032	GUGO40017		O-RING D. 107.62 X 2.62 NBR 70SH	1,00			--
0033	MFVR40029		CRANKCASE COVER AR RR	1,00			--
0034	VTVT09913	00009913	SCREW TCEI 6X16 UNI5931	4,00			--
0035	GUGO01036	00001036	O-RING D. 10.82 X 1.78 NBR 70SH	1,00			--
0036	PVVR40129		CAP 1/4 M RC	1,00			--
0037	VTVT09913	00009913	SCREW TCEI 6X16 UNI5931	4,00			--
0038	MFVR40021		CRANKCASE COVER AR RC LT.	1,00			--
0040	PVVR40179		OIL INDICATOR RR	1,00			--
0041	PVVR40125		DISC RC	1,00			--
0042	GUGO09030	00009030	O-RING 56X82 X2.62 - NBR	1,00			--
0043	VTAE10405	00010405	CIRCLIP D. 62 UNI 7437	1,00			--
0044	CUVR09654	00009654	BALL BEARING 6305	1,00			--
0048	ALMO40012		SHAFT AR RR 15LT VRS. N	1,00			--



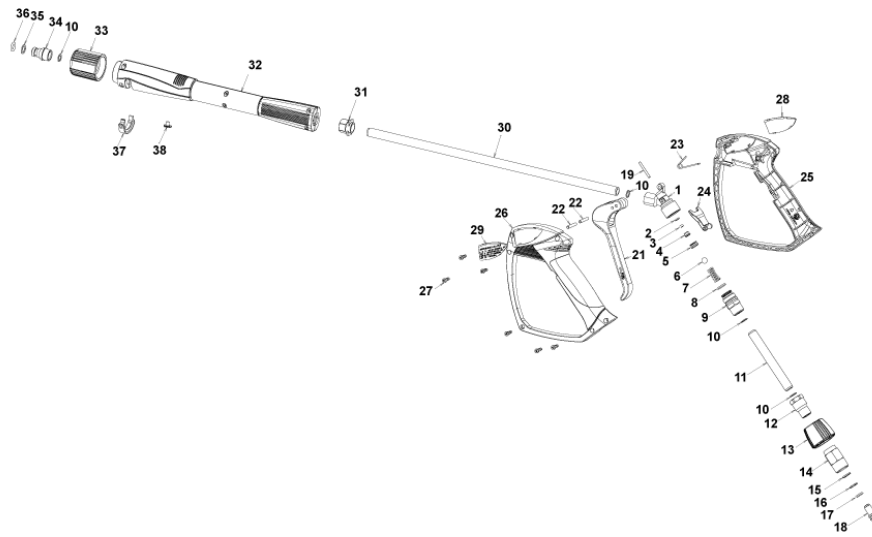
Ref. K	Part n.	Customer part n.	Description	Quantity	Validity		Price
					From	To	
0049	VTVR41531	00041531	KEY 8X 7X35 UNI 6604A	1,00			--
0050	CUVR09654	00009654	BALL BEARING 6305	1,00			--
0051	VTAE10405	00010405	CIRCLIP D. 62 UNI 7437	1,00			--
0052	S GUGO40018		OIL SEAL 25X 62X 8 NBR70	1,00			--
0053	S GUGO02259	00002259	O-RING D. 15.54 X 2.62 NBR 70SH	6,00			--
0054	GUVR40044		ANTI-EXTR.RING D. 5 X 8 X1	3,00			--



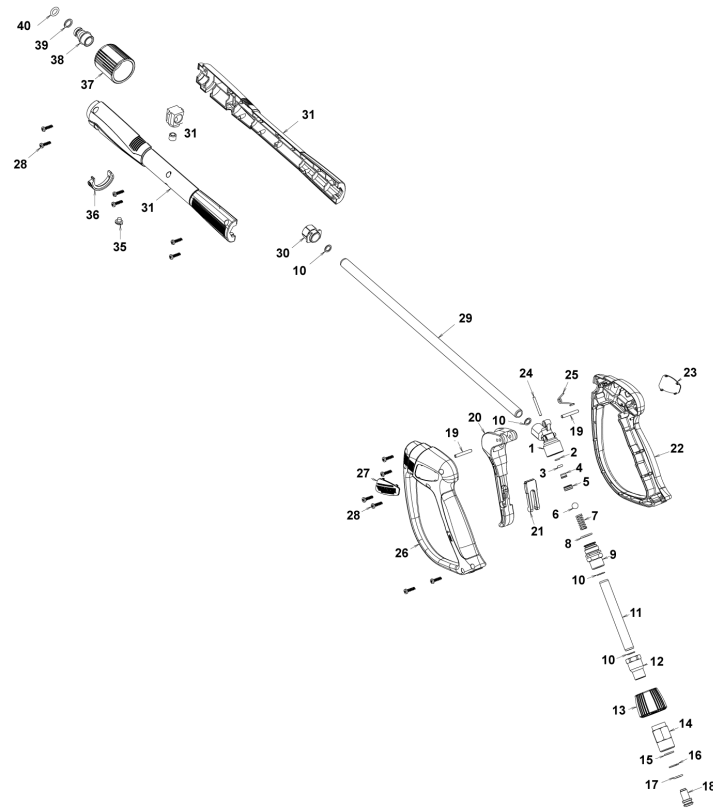
Ref. Part n.	Cust. part n.	Description	Reference	Price
KTRI40142		KIT P 15-42909 RR	0003 0053	--
KTRI40143		KIT P 15-42904 D.18 RR	0023	--
KTRI40144		KIT P 15-42922 RR	0025 0052	--
KTRI40145		KIT P 15-42924 D.18 RR	0014 0015 0017 0018 0019	--
KTRI40095		KIT P 15-42903 D.18 RC	0013	--
KTRI40146		KIT P 15-42923 D.18 RR	0016 0020	--



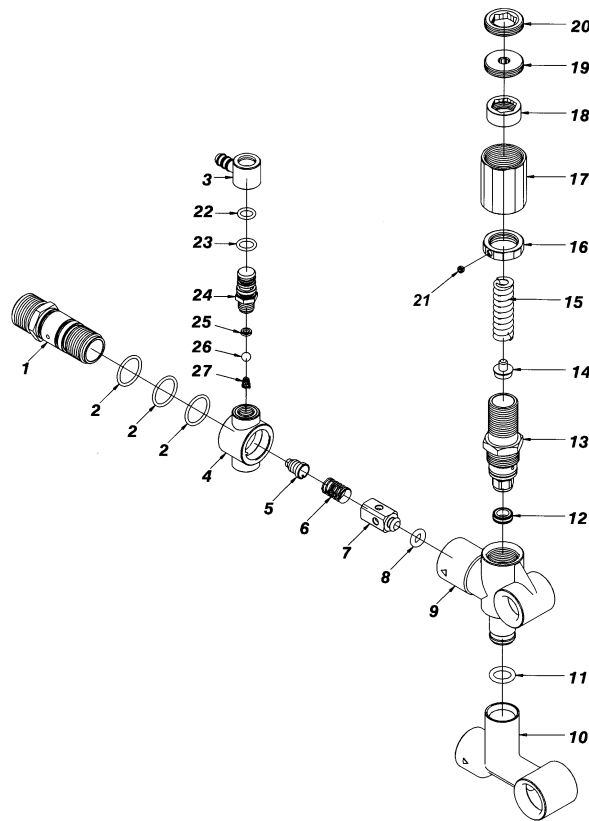
Ref. K	Part n.	Customer part n.	Description	Quantity	Validity		Price
					From	To	
0001	PVVR40381		GUN BODY G 5100 G1/4F	1,00			--
0002	S GUVR40074		ANTI-EXTR.RING D. 3 X 7.4X1.3	1,00			--
0003	S GUGO21835	00021835	O-RING D. 2.84 X 2.62 VIT. 80SH	1,00			--
0004	PVVR40382		PISTON GUIDE G 5100	1,00			--
0005	S PVVR40112		BALL SEAT G 5000	1,00			--
0006	S SFVR27026	00027026	BALL D.11/32" INX	1,00			--
0007	MLML40016		SPRING D. 9.4 x21.5x1.6 G5000	1,00			--
0008	GUGO12322	00012322	O-RING D. 14 X 1.78 NBR 90SH	1,00			--
0009	PVVR40383		CONNECTOR COLL.G5100 1/4F	1,00			--
0010	VTRS40017		WASHER D. 8.2X11,4X1.00	4,00			--
0011	PVVR40384		TUBE G 1/4" L.105	1,00			--
0012	RCIN40022		CONNECTOR SWIV G5100 1/4F	1,00			--
0013	MPVR40486		RING NUT G 5100 SW. GR.	1,00			--
0014	RCIN40021		JOINT SWIV 5100 M22	1,00			--
0015	S GUVR40075		ANTI-EXTR.RING D. 10 X14X1.5	1,00			--
0016	S GUVR40076		ANTI-EXTR.RING D. 11.2X14X1.2	1,00			--
0017	S GUGO15295	00015295	O-RING D. 10.82 X 1.78 VIT 80SH	1,00			--
0018	PVVR40386		SCREW SW. G 5100	1,00			--
0019	PVVR40387		SMALL PISTON G 5100	1,00			--
0021	MPVR40487		TRIGGER G 5100-SW	1,00			--
0022	VTVR40047		PLUG D. 4X29	2,00			--
0023	MLML40029		SPRING G 5100	1,00			--
0024	MPVR40488		SAFETY-DEVICE G 5100-SW	1,00			--
0025	MPVR40489		SHELL G 5100-SW DX	1,00			--
0026	MPVR40490		SHELL G 5100-SW SX	1,00			--
0027	VTVT40043		SCREW AF 4X 14 HILO ZN.N	6,00			--
0028	MPVR40491		PLATE G 5100 GR.DX	1,00			--
0029	MPVR40492		PLATE G 5100 GR.SX	1,00			--
0030	LCPR40086		TUBE 1/4 L=420 ZC. 0°	1,00			--
0031	MPVR40493		CONNECTOR G 5100-SW	1,00			--
0032	MPVR40494		PROTECTION P 420 C/AN.	1,00			--
0033	PVVR40119		CONNECTION M22X1.5 IRV G5000	1,00			--
0034	RCIN40009		GUDGEON G 1/4 F IRV G5000	1,00			--
0035	GUVR40034		ANTI-EXTR.RING D. 10 X14	1,00			--
0036	GUGO01946	00001946	O-RING D. 9.13 X 2.62 VIT 70SH	1,00			--
0037	MPVR40495		CAP G 5100 REM.	1,00			--
0038	MPVR40198		CAP G 5000	1,00			--



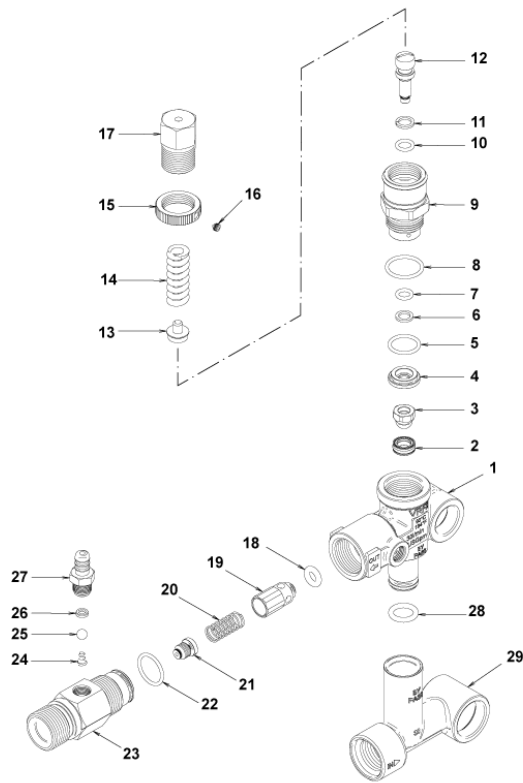
Ref. Part n.	Cust. part n.	Description	Reference	Price
KTRI40242		KIT P 26- 25 G 5100	0002 0003 0005 0006	--
KTRI40243		KIT P 26- 26 SWIVEL G 5100	0015 0016 0017	--



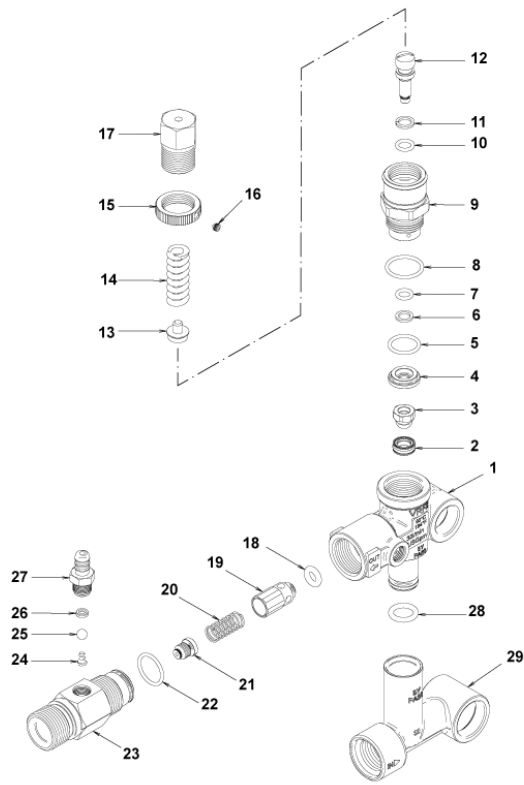
Ref. K	Part n.	Customer part n.	Description	Quantity	Validity		Price
					From	To	
0001	PVVR40381		GUN BODY G 5100 G1/4F	1,00			--
0002	S GUVR40074		ANTI-EXTR.RING D. 3 X 7.4X1.3	1,00			--
0003	S GUGO21835	00021835	O-RING D. 2.84 X 2.62 VIT. 80SH	1,00			--
0004	PVVR40382		PISTON GUIDE G 5100	1,00			--
0005	S PVVR40112		BALL SEAT G 5000	1,00			--
0006	S SFVR40002		BALL D.11/32" ALL GR16	1,00			--
0007	MLML40016		SPRING D. 9.4 x21.5x1.6 G5000	1,00			--
0008	GUGO12322	00012322	O-RING D. 14 X 1.78 NBR 90SH	1,00			--
0009	PVVR40383		CONNECTOR COLL.G5100 1/4F	1,00			--
0010	VTRS40017		WASHER D. 8.2X11,4X1.00	4,00			--
0011	PVVR40384		TUBE G 1/4" L.105	1,00			--
0012	RCIN40022		CONNECTOR SWIV G5100 1/4F	1,00			--
0013	MPVR40819		RING NUT G 5100 SW. BK.	1,00			--
0014	RCIN40021		JOINT SWIV 5100 M22	1,00			--
0015	S GUVR40075		ANTI-EXTR.RING D. 10 X14X1.5	1,00			--
0016	S GUVR40076		ANTI-EXTR.RING D. 11.2X14X1.2	1,00			--
0017	S GUGO15295	00015295	O-RING D. 10.82 X 1.78 VIT 80SH	1,00			--
0018	PVVR40386		SCREW SW. G 5100	1,00			--
0019	VTVR40047		PLUG D. 4X29	2,00			--
0020	MPVR40820		TRIGGER G 6000-SW	1,00			--
0021	MPVR40821		SAFETY-DEVICE G 6000-SW	1,00			--
0022	MPVR40822		SHELL G 6000-SW DX	1,00			--
0023	MPVR40823		PLATE G 6000 GR.DX	1,00			--
0024	PVVR40387		SMALL PISTON G 5100	1,00			--
0025	MLML40029		SPRING G 5100	1,00			--
0026	MPVR40824		SHELL G 6000-SW SX	1,00			--
0027	MPVR40825		PLATE G 6000 GR.SX	1,00			--
0028	VTVT40043		SCREW AF 4X 14 HILO ZN.N	12,00			--
0029	LCPR40086		TUBE 1/4 L=420 ZC. 0°	1,00			--
0030	MPVR40493		CONNECTOR G 5100-SW	1,00			--
0031	MPVR40494		PROTECTION P 420 C/AN.	1,00			--
0035	MPVR40198		CAP G 5000	1,00			--
0036	MPVR40495		CAP G 5100 REM.	1,00			--
0037	PVVR40119		CONNECTION M22X1,5 IRV G5000	1,00			--
0038	RCIN40009		GUDGEON G 1/4 F IRV G5000	1,00			--
0039	GUVR40034		ANTI-EXTR.RING D. 10 X14	1,00			--
0040	GUGO01946	00001946	O-RING D. 9.13 X 2.62 VIT 70SH	1,00			--



Ref. K	Part n.	Customer part n.	Description	Quantity	Validity		Price
					From	To	
0001	PVVR47993	00047993	METERING. BODY MV 625 M22	1,00			--
0002	GUGO01058	00001058	O-RING D. 17.17 X 1.78 NBR 70SH	3,00			--
0003	PVVR47999	00047999	HOSE FITTING MV 625	1,00			--
0004	PVVR47995	00047995	METERING. BODY MV 625 GIR.	1,00			--
0005	UGEI46790	00046790	NOZZLE D. 2.1 MV625	1,00			--
0006	MLML47978	00047978	SPRING MV 625	1,00			--
0007	PVVR47979	00047979	PIN MV 625	1,00			--
0008	GUGO46053	00046053	O-RING D. 6 X 3 NBR 90SH	1,00			--
0009	PVVR47980	00047980	VALVE BODY MV 625	1,00			--
0010	PVVR40271		CONNECTOR MV 625-RR	1,00			--
0011	GUGO11225	00011225	O-RING D. 10.78 X 2.62 NBR 70SH	1,00			--
0012	PVVR47985	00047985	VALVE SEAT MV 625 + O-RING	1,00			--
0013	PVVR47988	00047988	CONNECTOR MV 625 REG.	1,00			--
0014	PVVR47986	00047986	SPRING PLATE MV 625	1,00			--
0015	MLML47987	00047987	SPRING D. 3.25X41.1 MV 625	1,00			--
0016	PVVR47984	00047984	RING NUT MV 625	1,00			--
0017	PVVR47989	00047989	CAP MV 625 REG.	1,00			--
0018	PVVR47990	00047990	RING NUT MV 625 REG.	1,00			--
0019	PVVR47991	00047991	REGISTER MV 625 REG.	1,00			--
0020	PVVR47992	00047992	CLAMP MV 625 REG.	1,00			--
0021	VTVT24918	00024918	SCREW EI-ST 4X 4 UNI5927	1,00			--
0022	GUGO06988	00006988	O-RING D. 7.66 X 1.78 NBR 70SH	1,00			--
0023	GUGO12490	00012490	O-RING D. 8.74 X 1.78 NBR 70SH	1,00			--
0024	PVVR47998	00047998	CONNECTOR MV 625	1,00			--
0025	PVVR47994	00047994	BALL SEAT MV 625	1,00			--
0026	SFVR04274	00004274	BALL D. 7/32	1,00			--
0027	MLML47996	00047996	SPRING D. 5.5	1,00			--



Ref. K	Part n.	Customer part n.	Description	Quantity	Validity		Price
					From	To	
0001	PVVR40375		VALVE BODY VRF2 +G1/8 F	1,00			--
0002	S PVVR40363		VALVE SEAT MV124 +OR	1,00			--
0003	S PVVR40364		COUPLING MV124	1,00			--
0004	S PVVR40365		SPACER MV124	1,00			--
0005	S GUGO12322	00012322	O-RING D. 14 X 1.78 NBR 90SH	1,00			--
0006	S GUVR40072		ANTI-EXTR.RING D. 6.5X 9.4	1,00			--
0007	S GUGO83861		O-RING D. 6.07 X 1.78 NBR 90SH	1,00			--
0008	S GUGO24913	00024913	O-RING D. 17.17 X 1.78 NBR 90SH	1,00			--
0009	S PVVR40366		CONNECTOR VRF2 D.10	1,00			--
0010	S GUGO03500	00003500	O-RING D. 6.75 X 1.78 NBR 70SH	1,00			--
0011	S GUVR40073		ANTI-EXTR.RING D. 7.1X10 X1.2 TBT	1,00			--
0012	S PVVR40367		SMALL PISTON D.10 VRF2	1,00			--
0013	PVVR40368		SPRING PLATE MV124 25B	1,00			--
0014	MLML40027		SPRING D. 3.0/6.0 X38.85	1,00			--
0015	PVVR40369		RING NUT MV167.09	1,00			--
0016	VTVT89696		SCREW EI-ST 4X 4 UNI5927 ZC	1,00			--
0017	PVVR40370		CAP VRF2 M18X1	1,00			--
0018	S GUGO46053	00046053	O-RING D. 6 X 3 NBR 90SH	1,00			--
0019	S PVVR40349		COUPLING VRT3	1,00			--
0020	S MLML40026		SPRING VRT3	1,00			--
0021	S UGEI40010		NOZZLE D. 2.1 VRF-2	1,00			--
0022	S GUGO12321	00012321	O-RING D. 15.6 X 1.78 NBR 90SH	1,00			--
0023	S PVVR40376		METERING. BODY VRF-2 M22 M	1,00			--
0024	S MLML47996	00047996	SPRING D. 5.5	1,00			--
0025	S SFVR40001		BALL D. 7/32" AISI 316/L	1,00			--
0026	S PVVR47994	00047994	BALL SEAT MV 625	1,00			--
0027	S PVVR40014		HOSE FITTING P237-MV	1,00			--
0028	GUGO11225	00011225	O-RING D. 10.78 X 2.62 NBR 70SH	1,00			--
0029	PVVR40373		CONNECTOR VRF2.24	1,00			--



Ref. Part n.	Cust. part n.	Description	Reference	Price
KTRI40236		KIT P 14-103 VRF2	0002 0003 0004 0005 0006 0007 0008 0009 0010 0011 0012 0018 0019 0020 0021 0022	--
KTRI40237		KIT P 14-104 SEAL VRF2	0002 0003 0005 0006 0007 0008 0010 0011 0018 0021 0022	--
KTRI40259		KIT P 14-106 VRF2 I.2.1	0018 0019 0020 0021 0022 0023 0024 0025 0026 0027	--