



IPC

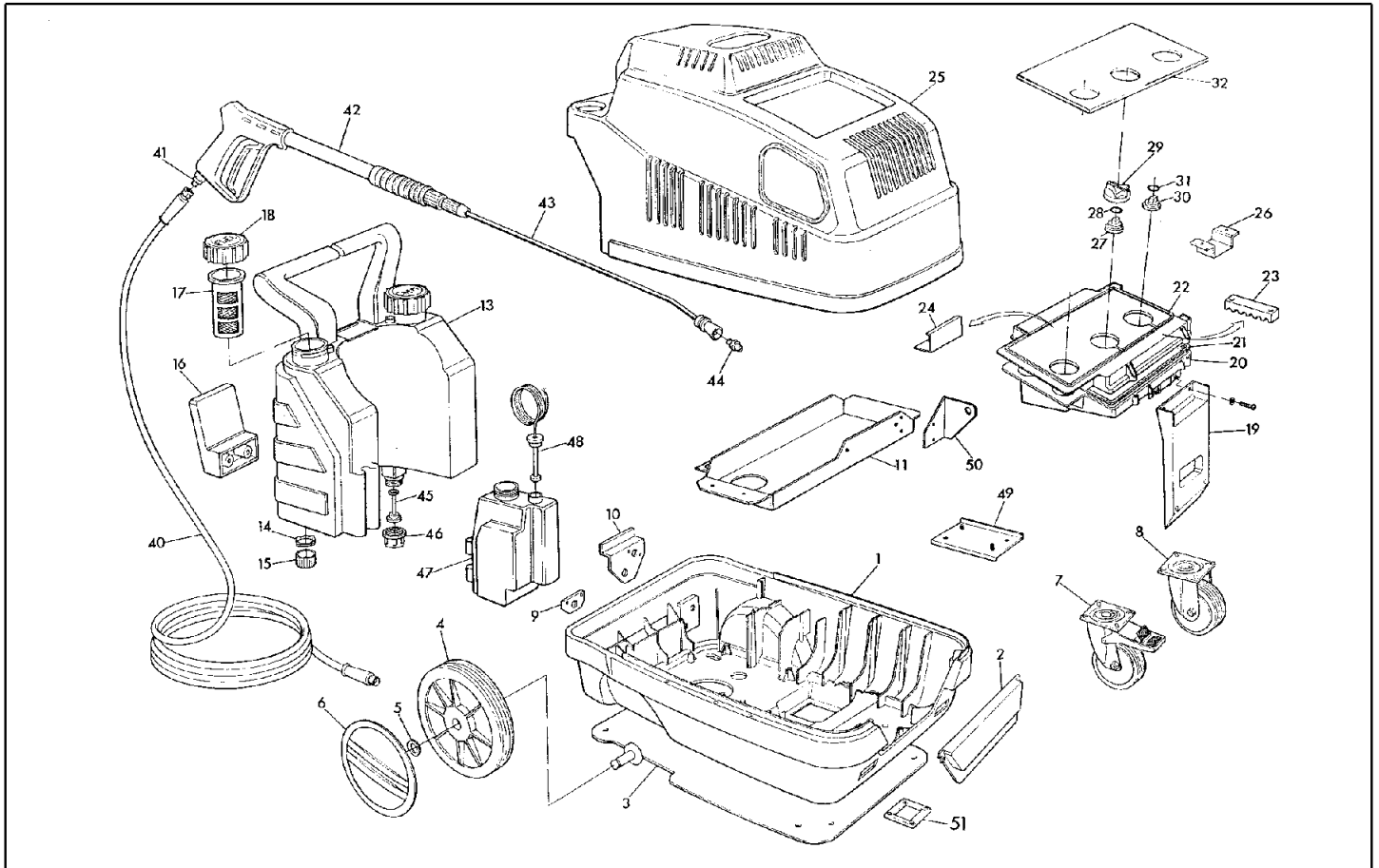
Spare parts list

Ref: IDAC46243

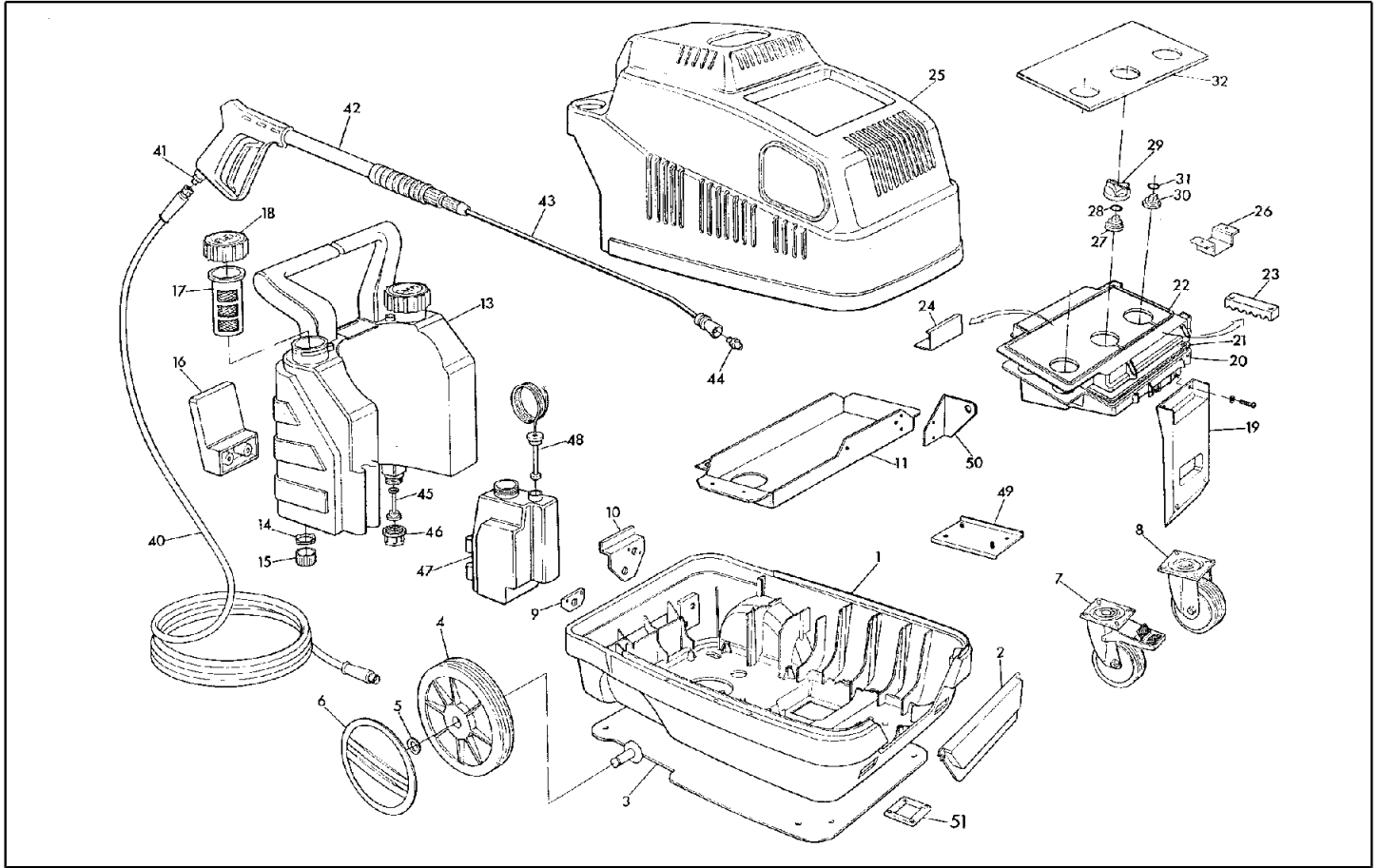
Cust.ref: 121175

Model: H.P. CLEANER MIS.P DS 2960T 230/50 FOM

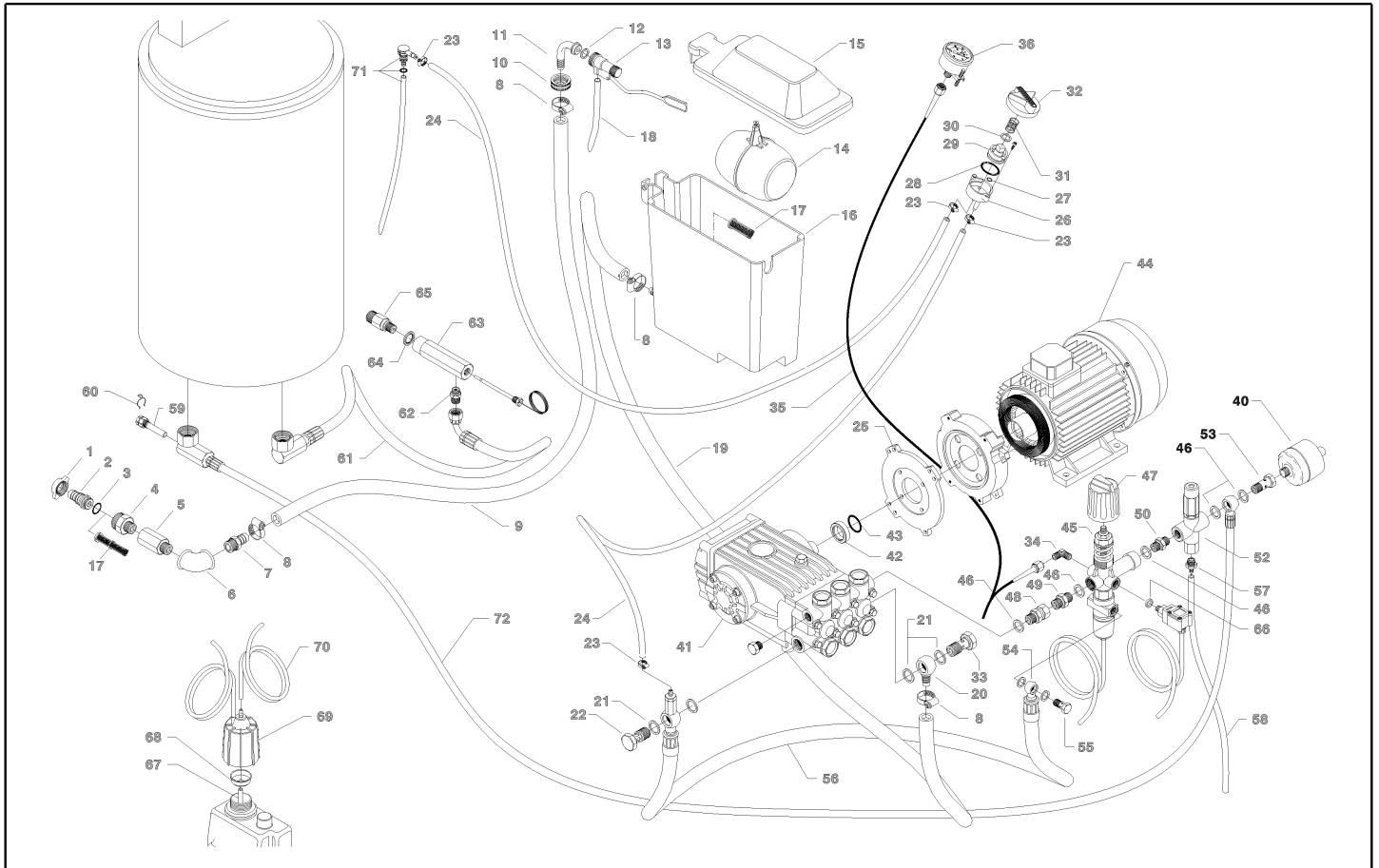
Cust.model: HPS 940 TST



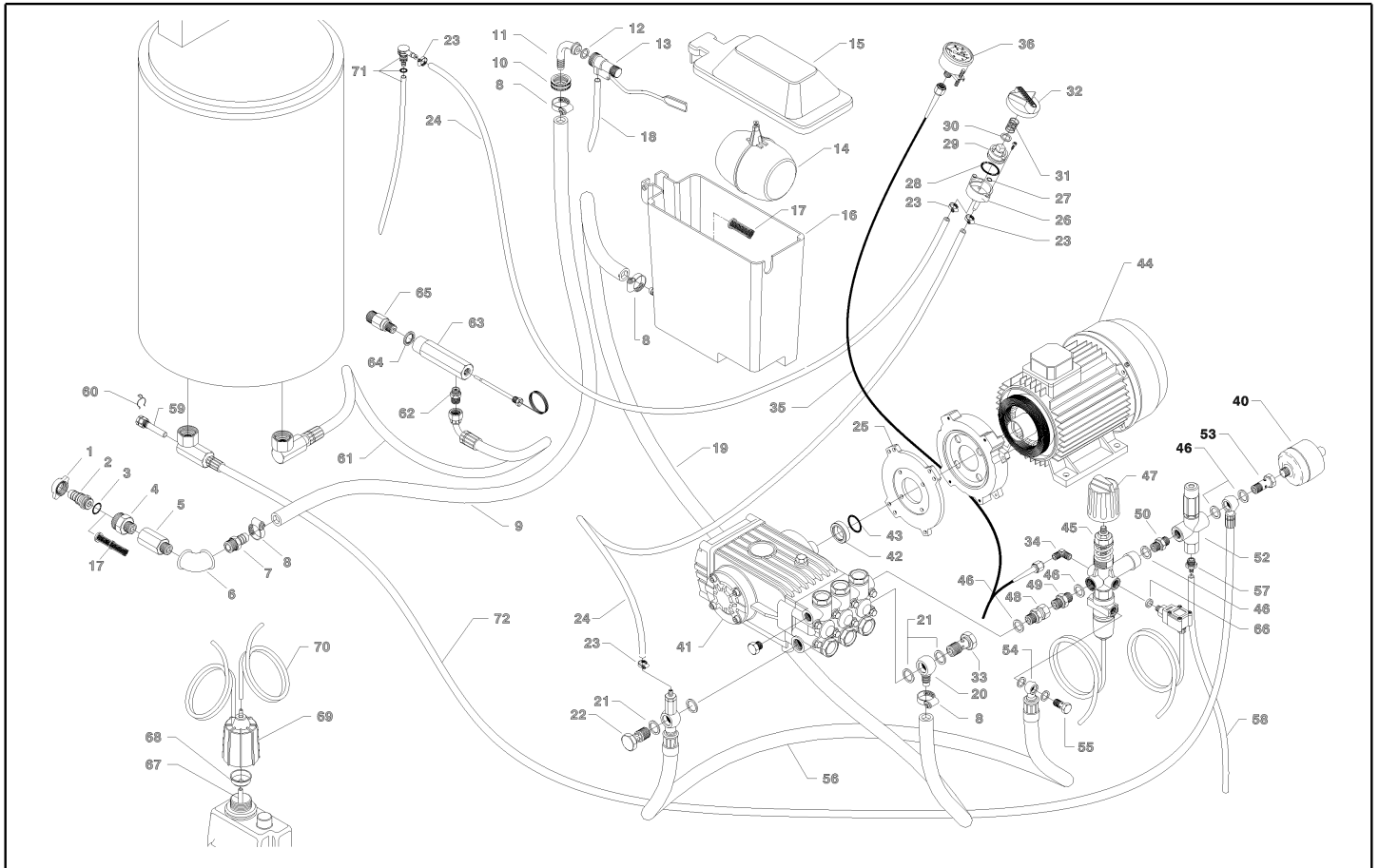
Ref. K	Part n.	Part n. 2	Description	Quantity	Validity		Price
					From	To	
0001	MPVR33490		CARRIAGE MISTRAL PP	1,00			--
0002	MPVR34168		DOOR MISTRAL PP	1,00			--
0003	LAFN33489		SUPPORT MST	1,00			--
0004	RTRT24320		WHEEL D.250-D.25 RT-PRT	2,00			--
0005	VTRS09813		WASHER D.25	2,00			--
0006	MPVR25910		RED HUB CAP D. 250 RT/PRT	2,00			--
0007	RTRT13708		TURNING WHEEL D.125 P. MZ.PLS	1,00			--
0008	RTRT07480		TURNING WHEEL D.125 P MZ.PLS.	1,00			--
0009	LAFN34637		SUPPORT MST	1,00			--
0010	LAFN34052		SUPPORT MST	1,00			--
0011	LAFN40508		MOTOR PLATE MST S/BLC.	1,00	01/02/1999		--
0013	MPVR37512		FUEL TANK MISTR.DS/GT.	1,00			--
0014	GUGO11489		GASKET D.22X1,5	2,00			--
0015	PVVR11806		DISCHARGE CAP FLL	2,00			--
0016	LAFN20105		HOSE SUPPORT KSM	1,00			--
0017	FTCO17698		FILTER 121X54	2,00			--
0018	MPVR20418		TANK CAP KSM	2,00			--
0019	MPVR33534		BOX SUPPORT MST PA 66	2,00			--
0020	MPVR33248		CONTROL BOX MISTRAL PP	1,00			--
0021	GUGO11309		JOINT MOUSSE D. 3	1,20			--
0022	MPVR40023		BOX COVER MISTRAL C/F.MN.BK	1,00			--
0023	MPVR33250		CABLE CLAMP COV MISTRAL	1,00			--
0024	LAFN34423		SUPPORT BRACKET MST.S-P	1,00			--
0025	MPVR33318		RED COVER MISTRAL PP	1,00			--
0027	MPVR23482		SWITCH TANG TEC. TUV	1,00			--
0028	GUGO23079		V-SEAL RING VA0014 13.5- 15.5	1,00			--
0030	MPVR23484		TAIL PIECE THERM.KSM TUV	1,00			--
0031	GUGO25527		O-RING D. 14 X 3 NBR 70SH	1,00			--
0032	ETET40687		LABEL MST PR.II DS PLC	1,00			--
0040	TBAP15631		H.P. HOSE R2 MT 10 5/16" IRV F-SWIV	1,00		14/03/2007	--
0040	TBAP40009		H.P. HOSE R2 MT 10 5/16" C/2 IRV IX	1,00	15/03/2007		--
0042	IPPR12973		GRIP ST 2000 - P 330 - M22 M V	1,00		14/03/2007	--
0042	IPPR89429		GRIP G 4500 - P.330 -M22SW.M V	1,00	15/03/2007		--
0043	LCPR12976		EXTENSION P 70	1,00	29/04/2006		--
0044	UGLN03327		NOZZLE 1/4 25045	1,00		28/04/2006	--
0044	UGLN49992		NOZZLE LECH 1/4 25045	1,00	29/04/2006		--
0045	MECI34446		SWITCH REED N.A.H115	1,00			--
0046	LAFN34356		RING NUT M 39X3 MST.G	1,00			--
0047	MPVR20903		TANK KSM	1,00			--
0048	MECI34444		SWITCH REED N.C.H185 L=1300	1,00			--
0049	LAFN35778		B.TANK BRACKET MST INX	1,00			--
0050	LAFN33976		FILTER BRACKET MST SP.	1,00			--
0051	LAFN40224		PLATE MST	1,00	21/10/1998		--
0052	MEVR27264		FUSE-HOLDER 031-1081	3,00			--



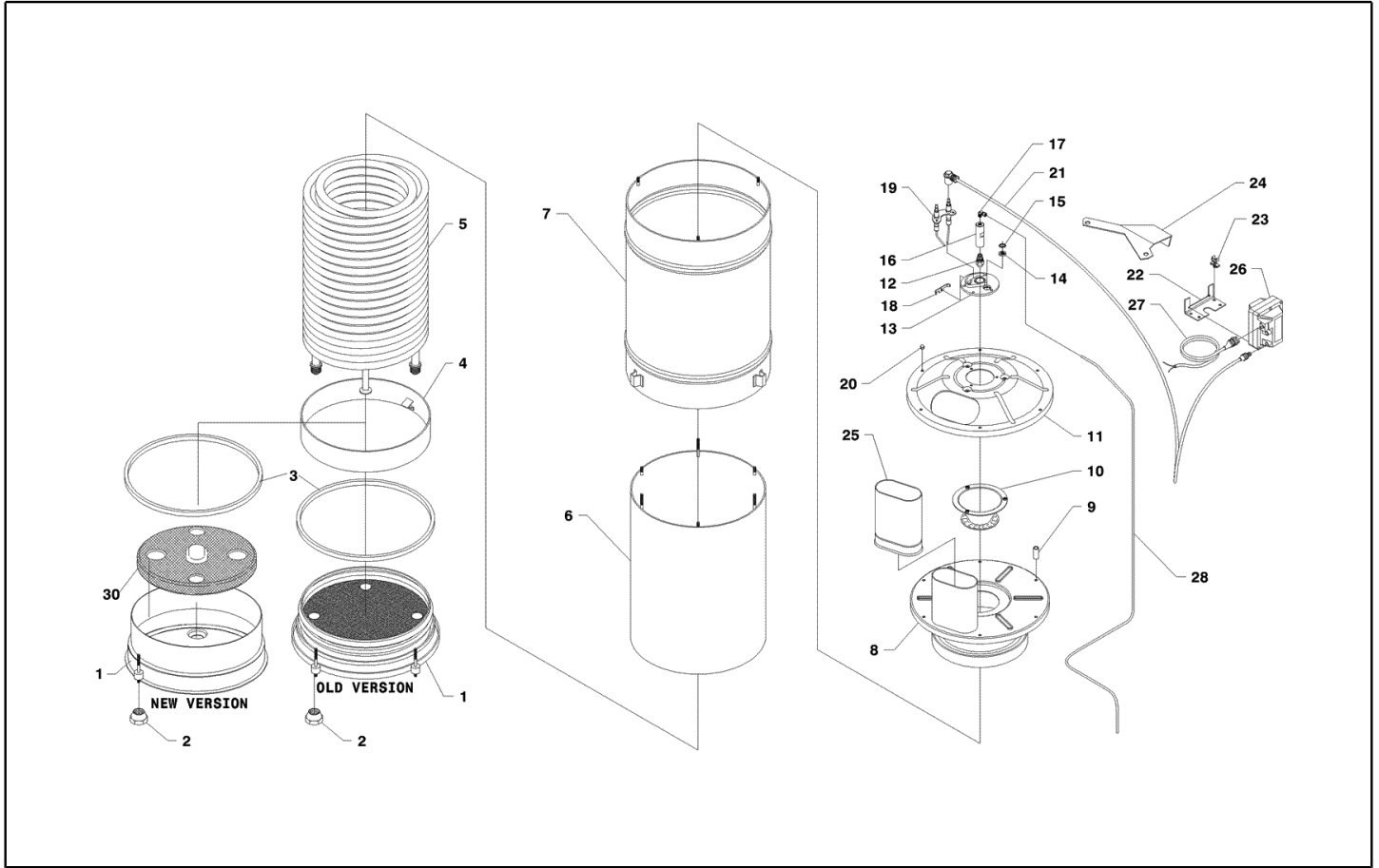
Ref. K	Part n.	Part n. 2	Description	Quantity	Validity		Price
					From	To	
9999	KTRI16996		KIT P 33- 1	1,00	04/10/1996		--



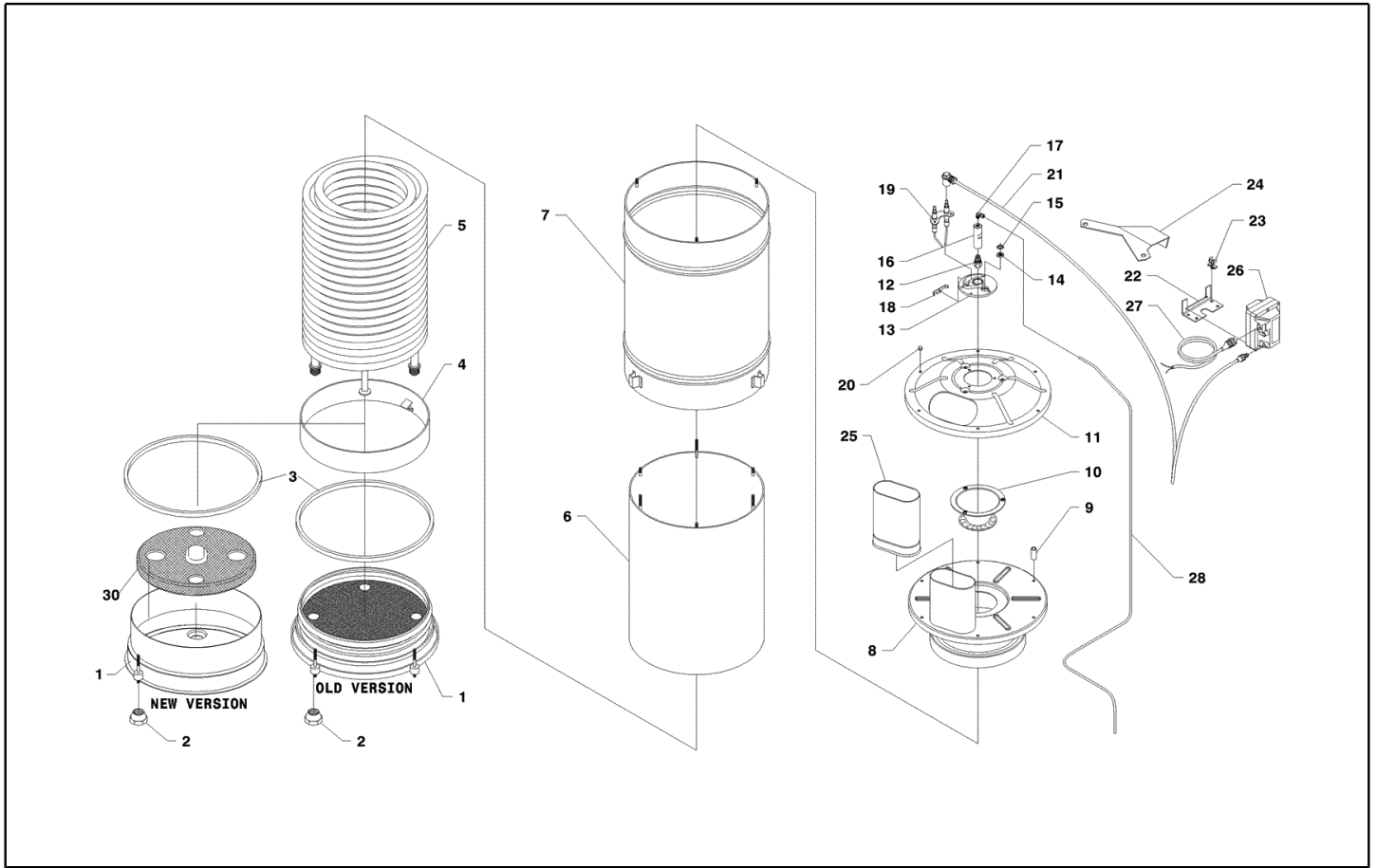
Ref. K	Part n.	Part n. 2	Description	Quantity	Validity		Price
					From	To	
0001	RCDS09316		CONNECTION G. 3/4	1,00	04/10/1996	--	--
0002	RCDS08965		HOSE FITTING OTT.	1,00	04/10/1996	--	--
0003	GUGO01054		O-RING D. 15.08 X 2.62 NBR 70SH	1,00	04/10/1996	--	--
0004	RCDS35797		NIPPLE 3/4 - 1/2 OTT MST	1,00	--	--	--
0005	RCDS17206		SLEEVE 1/2 M/F L= 50-65	1,00	--	--	--
0006	RCVR00578		ELBOW 1/2" F	1,00	--	--	--
0007	RCDS02689		HOSE FITTING 1/2 M D.12-16	1,00	--	--	--
0009	TBBP00055		L.P. HOSE D.15-23 10BAR AYOK.	0,62	--	--	--
0010	RCDS10356		RING NUT FUT	1,00	--	--	--
0011	RCDS10357		HOSE FITTING FUT 90°	1,00	--	--	--
0013	RCGR10358		TAP UG. D. 7	1,00	--	--	--
0014	RCGR01387		PLASITC BALL D.104	1,00	--	--	--
0015	MPVR10353		TANK COVER FUT PPL BK.	1,00	--	--	--
0016	MPVR22117		WATER TANK FUT PPL BK.	1,00	--	--	--
0017	FTDT21315		FILTER D.20X45 18LT	1,00	--	--	--
0018	TBBP17436		L.P. HOSE D.12-14 RILSAN NT.	0,17	--	--	--
0019	TBBP15656		L.P. HOSE D.16-26 20BAR	1,41	22/02/2001	--	--
0020	RCDS16544		CONNECTOR O. 1/2 - 9.5-16	1,00	--	--	--
0021	VTRS12491		WASHER 1/2	2,00	--	--	--
0022	RCDS16328		SCREW G 1/2 D.8	1,00	--	--	--
0023	FSVR15255		CLAMP D. 8-12	6,00	--	--	--
0024	TBBP00051		DETERGENT HOSE D. 6-12	1,40	16/12/1999	--	--
0025	MFVR21735		COUNTERFLANGE MEC 112 2.V	1,00	--	--	--
0026	RCGR08069		TAP BODY DET. PRT	1,00	--	--	--
0027	GUGO08071		O-RING D. 4.48 X 1.78 NBR 70SH	1,00	--	--	--
0028	GUGO12183		O-RING D. 23.4 X 3.53 VIT 70SH	1,00	--	--	--
0029	RCGR08070		ADJUSTER PRT	1,00	--	--	--
0030	VTRS00542		WASHER D.14X20	1,00	--	--	--
0031	MLML08068		SPRING D.1,5 L.23	1,00	--	--	--
0032	MPVR20190		GREY KNOB KSM	1,00	--	--	--
0033	RCDS33982		SCREW 1/2 C/SC. L=41.5 D.13.5	1,00	--	--	--
0034	RCVR12430		ELBOW 1/4" M/M A15	1,00	--	--	--
0035	TBAP04437		POLYAMIDE HOSE L=420 1/4-1/4 F-F	1,00	--	28/02/2007	--
0035	TBAP40006		POLYAMIDE HOSE L=420 1/4 F-F	1,00	01/03/2007	--	--
0036	MNMN07992		PRESSURE GAUGE 0-250 D.50	1,00	--	18/11/2003	--
0036	MNMN49621		PRESSURE GAUGE 0-250 D.50 INOX	1,00	19/11/2003	--	--
0037	GUGO01033		O-RING D. 20.24 X 2.62 NBR 90SH	1,00	--	--	--
0038	RCDS09059		CAP M24X2X16 + 1/4F OTT	1,00	01/02/1999	--	--
0039	RCDS13818		SLEEVE 1/4-M14X1.5 M/F	1,00	20/10/1999	--	--
0040	ACID08195		ACCUMULATOR M 14X1.5 30BAR	1,00	01/02/1999	--	--
0041	PPAP02643		PUMP WS151 DX LT 15	1,00	--	14/06/2001	--
0041	PPAP42031		PUMP WS151 DX LT 15 -150B. USA	1,00	15/06/2001	--	--
0042	RCDS34756		BUSHING IP W15 OT	1,00	--	--	--
0043	GUGO42285		O-RING D. 35 X 2.5 VIT.70SH	1,00	05/11/1999	--	--



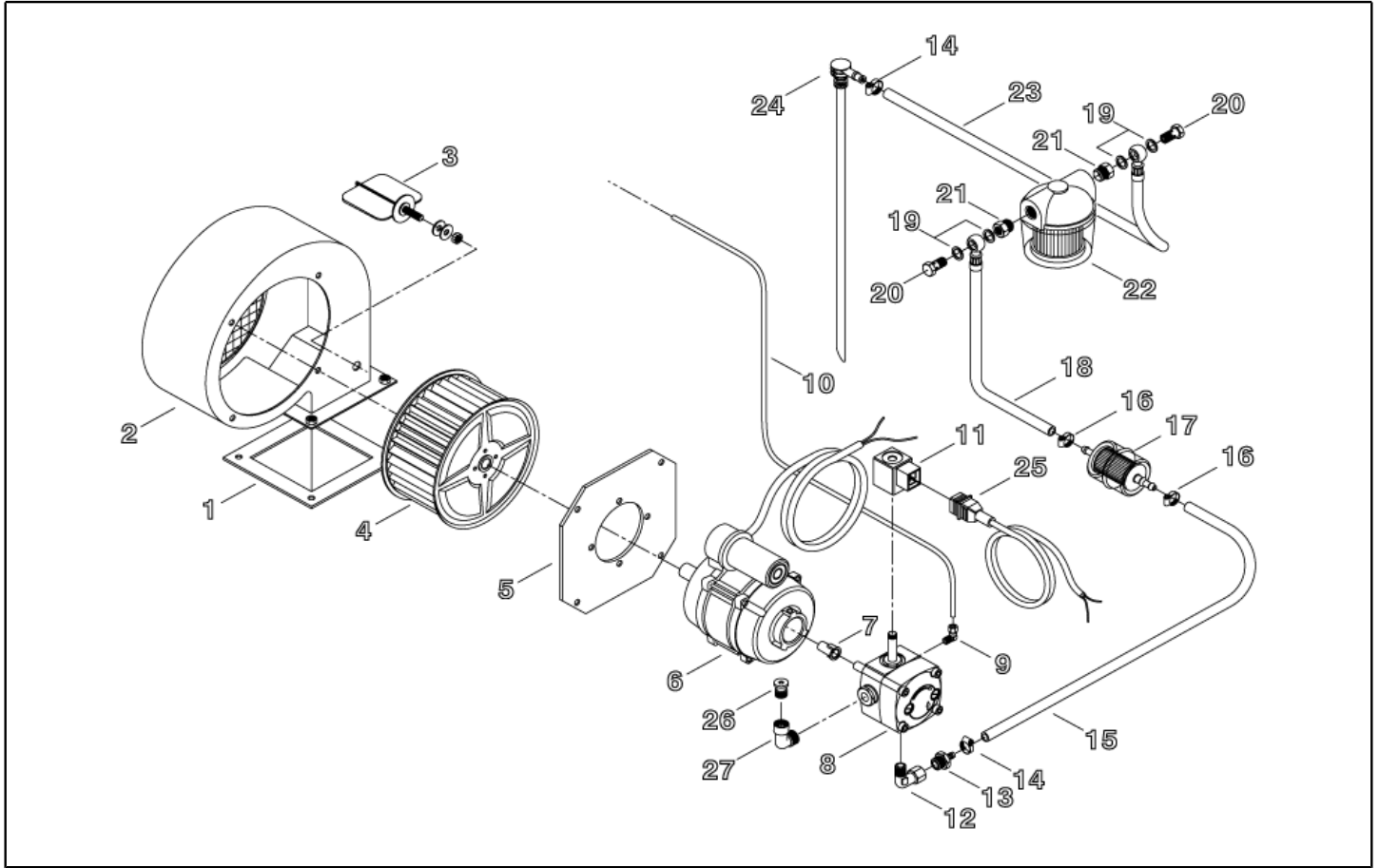
Ref. K	Part n.	Part n. 2	Description	Quantity	Validity		Price
					From	To	
0044	MOTR06345		3PH MOTOR AC HP 7.5 2/460-5/60 C.ED	1,00	01/07/2006		--
0044	MOTR21305		3PH MOTOR HP7.5 230-400/50 - CU. GR	1,00		30/06/2006	--
0045	VVAZ15529		VALVE ST 261 - SWITCH	1,00		31/05/2004	--
0045	VVAZ88040		VALVE ST 261 - S.REED N.C.	1,00	01/06/2004		--
0046	VTRS12492		WASHER 3/8	2,00	01/02/1999		--
0047	MPVR09436		BLACK KNOB ST 260	1,00			--
0048	RCVR00563		SWIVEL RACCORD 3/8 M/F	1,00			--
0049	RCDS00610		NIPPLE 3/8 - 3/8 SV	1,00			--
0050	RCDS12121		NIPPLE 3/8 - 3/8 SV/CN	1,00	01/02/1999		--
0051	MEPF39902		PRESSURE SWITCH MTM 1/4M NA/NC 25B. MICRO	1,00	01/02/1999		--
0052	VVSC40541		VALVE VS 220 2 G3/8 F	1,00	01/02/1999		--
0053	RCDS01371		SCREW G 3/8 A.P.	1,00	01/02/1999		--
0054	VTRS12821		WASHER D.14X18,7X1,25 1/4 GM	4,00			--
0055	RCDS02612		SCREW G 1/4 A.P.	2,00			--
0056	TBBP41686		BY-PASS HOSE L=390 1/2+V.NRT-1/4OC 90°	1,00			--
0057	RCDS03514		HOSE FITTING 3/8 M D. 5- 7	1,00	01/02/1999		--
0058	TBBP04917		L.P. HOSE D. 6- 9	1,30	04/10/2004		--
0059	RCDS00593		SUMP IM 0-120 L=50	1,00			--
0060	MLML02623		SPRING IMT	1,00			--
0061	TBAP33971		HOSE-FITTING 3/ 8 L=275 R2 3/8F -1/2P.	1,00			--
0062	RCDS34050		NIPPLE 3/8-14X1.5 L=61	1,00			--
0063	RCDS34048		BLOC BODY 3/8F MST	1,00			--
0064	VTRS22537		WASHER D. 16	1,00			--
0065	RCDS13012		NIPPLE M22-3/8 D. 7.5	1,00			--
0066	VTRS40960		WASHER D.13.5X19 X4 AL.	1,00			--
0067	TBBP00058		L.P. HOSE D. 4- 7	0,24	02/10/2003		--
0067	TBBP11756		L.P. HOSE D. 4- 6 RILSAN NTR	0,24	02/12/1997	01/10/2003	--
0068	MPVR20904		CAP KSM	1,00			--
0069	MEPD25575		DESCALING PUMP NME-1 24V CPL.	1,00			--
0070	TBBP00058		L.P. HOSE D. 4- 7	1,10			--
0071	RCDS20136		SUCTION L= 355 C.	2,00	01/11/1996		--
0072	TBAP40552		HOSE-FITTING 3/ 8 R2 L=880 O3/8-1/2PMG	1,00	01/02/1999		--



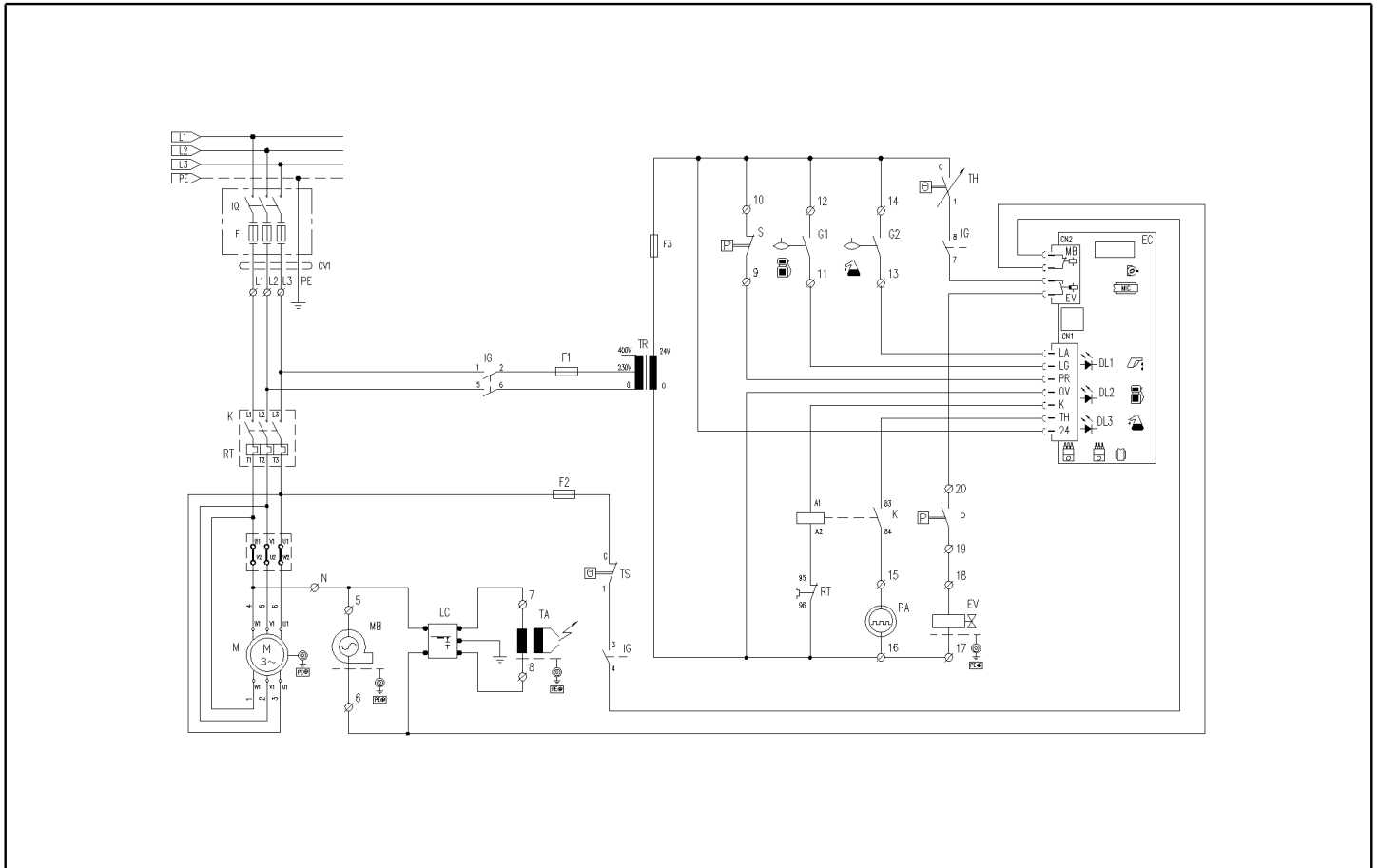
Ref. K	Part n.	Part n. 2	Description	Quantity	Validity		Price
					From	To	
0001	LAFN12715		BOILER BOTTOM FUT	1,00		31/10/2007	--
0001	S LAFN40038		BOILER BOTTOM FUT. 2V. BK	1,00	01/11/2007		--
0002	RCDS00561		RING NUT 1/2 OTT	2,00			--
0003	S GUVR35205		GASKET D. 7 FIB.	1,02	28/02/1996		--
0004	LAFN11708		METAL STRIP FUT	1,00		31/10/2007	--
0005	LAFN11329		DOUBLE COIL 3/8 FUTURA 200	1,00			--
0006	LAFN07969		INT. CYLINDER FUT INX	1,00		31/10/2007	--
0006	S LAFN40077		INT. CYLINDER FUT 2V.INX	1,00	01/11/2007		--
0007	LAFN07674		EXT. CYLINDER FUT INX	1,00			--
0008	LAFN42581		BOILER COVER SI MST INX	1,00	08/07/2000		--
0009	LAFN09096		SPACER 10X28,5	3,00			--
0010	LAFN08042		BAFFLE FUT	1,00			--
0011	LAFN07676		BOILER COVER SE FUT INX	1,00			--
0012	UGBR22576		BURNER NOZZLE 1.35 60 S	1,00			--
0013	MFVR18226		ELECTR.HOLDER FUT 3°V	1,00			--
0014	MPVR18228		OIL WARN-LIGHT D.17 X3	1,00			--
0015	VTAE22633		SEEGER 0.4 X18,30X10,5	1,00			--
0016	RCDS07642		NOZZLE HOLDER FUT	1,00			--
0017	RCVR08954		ELBOW 1/8"-4 B5	1,00			--
0018	LAFN07641		PLATE INX	1,00			--
0019	MECA12525		ELECTRODE FUT	1,00			--
0020	VTDD05907		NUT M 6 CIE.	6,00			--
0021	MECV35334		CABLE A.T. 9,8-23KOHM/M L= 400P	2,00	13/07/1999		--
0022	LAFN33974		SUPPORT BRACKET MST	1,00			--
0023	MEVR15389		CLIP F-0201	1,00			--
0024	LAFN34806		BRACKET MST 30MT	1,00			--
0027	MECB34463		CABLE BT L=800 SP. FD	1,00			--
0030	S ITTE48421		BOTTOM FUT C.TE	1,00	01/11/2007		--



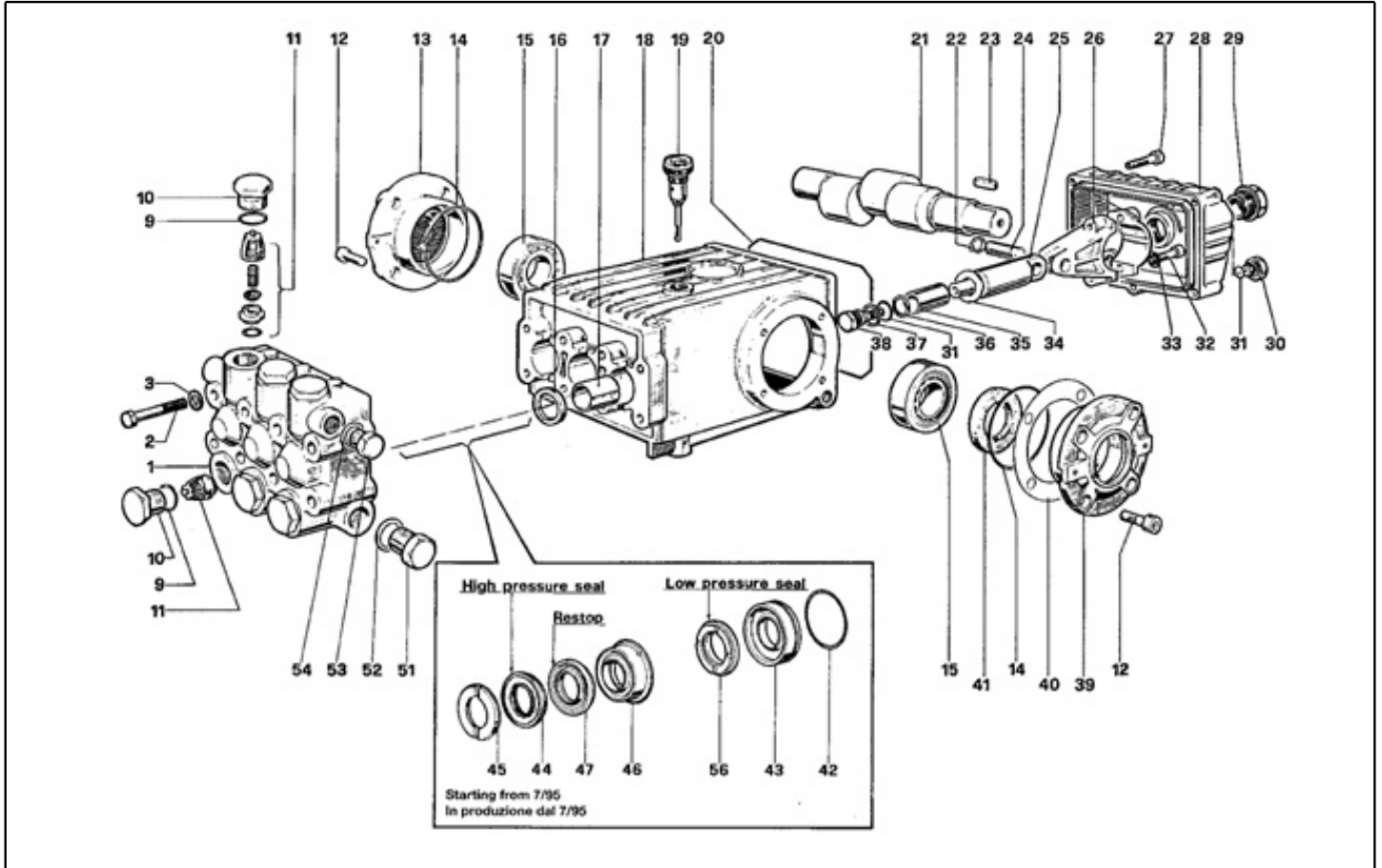
Ref. Part n.	Part n. 2	Description	Reference	Price
9999 KTRI40022		KIT PX 1- 36 FT.30MT	0001 0003 0006 0030	--



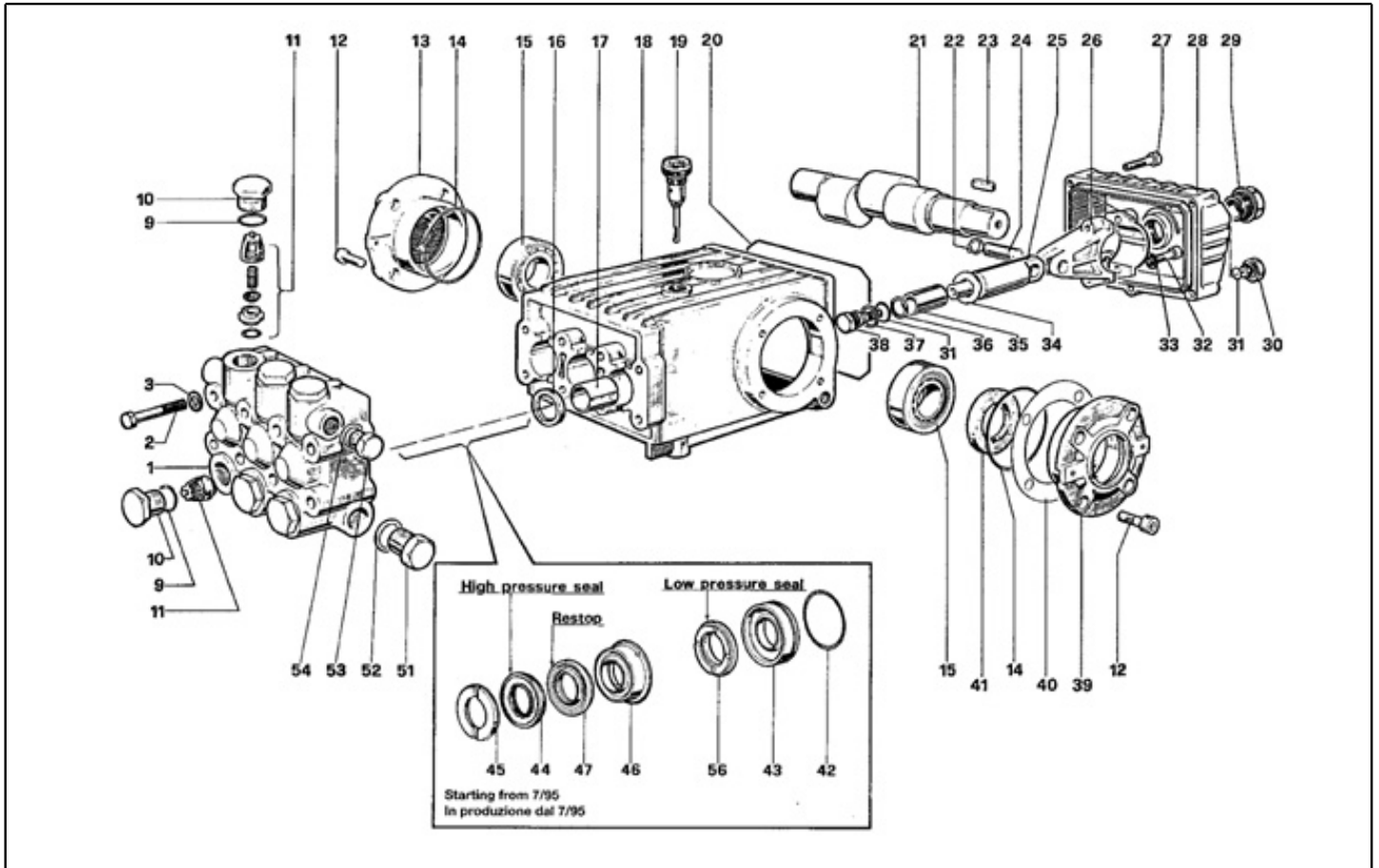
Ref. K	Part n.	Part n. 2	Description	Quantity	Validity		Price
					From	To	
0001	GUGO11214		GASKET FLL	1,00		31/05/2007	--
0001	GUGO40003		GASKET CB4	1,00	01/06/2007		--
0002	LAFN33967		SCROLL CB4 -MST	1,00		31/05/2007	--
0002	MPVR40010		SCROLL CB4 -2PZ.CP	1,00	01/06/2007		--
0003	LAFN11160		THROTTLE FLL	1,00			--
0004	VEVR34275		IMPELLER D.160-80 D.12.7 36P B.SX	1,00			--
0005	LAFN10272		MOTOR PLATE CB 3	1,00	11/04/2000		--
0006	MOMB34119		BURNER MOTOR 230-50 IP44 150W A.OR	1,00			--
0007	KTRI36516		KIT P 18- 9	1,00			--
0008	PPGS40117		FUEL PUMP DLT VM1LR15	1,00	23/09/1998	09/01/2005	--
0008	PPGS88084		FUEL PUMP DLT ALLUM. A1L1	1,00	10/01/2005		--
0008	FTCO88927		FUEL FILTER S.AL	1,00	10/01/2005		--
0010	TBCO33977		DIESEL HOSE MST 30MT D. 4	1,00			--
0012	RCVR00573		ELBOW 1/4" M/F A10	1,00			--
0013	RCDS00626		HOSE FITTING 1/4 M D. 5- 7	1,00			--
0014	FSVR15255		CLAMP D. 8-12	2,00			--
0015	TBCO06945		L.P. HOSE D. 6-12 10BAR C.PRESS	0,17			--
0016	FSVR11197		CLAMP D.12.9-13.6	2,00			--
0017	FTCO34840		FUEL FILTER FB 7/A NYL.	1,00			--
0018	TBBP34456		L.P. HOSE L= 180 1/4OC.-LIB.	1,00			--
0019	VTRS12821		WASHER D.14X18,7X1,25 1/4 GM	4,00			--
0020	RCDS01371		SCREW G 3/8 A.P.	2,00			--
0021	RCVR02607		REDUCTION 3/8-1/4 M/F	1,00	06/02/2002		--
0021	RCVR38072		REDUCTION 3/8-1/4 M/F A4/Z SKD.F	1,00	06/02/2002		--
0022	FTCO30578		FUEL FILTER 3/8 0.1-SP	1,00			--
0023	TBBP34457		L.P. HOSE L=1570 1/4OC.-LIB.	1,00			--
0024	RCDS20136		SUCTION L= 355 C.	1,00			--
0025	MECB18118		CABLE DLT L=1.600	1,00			--
9999	FTCO17886		FILTER VM1 RL2 H.22	1,00		09/01/2005	--
9999	GUVR02546		GASKET COVER	1,00		09/01/2005	--



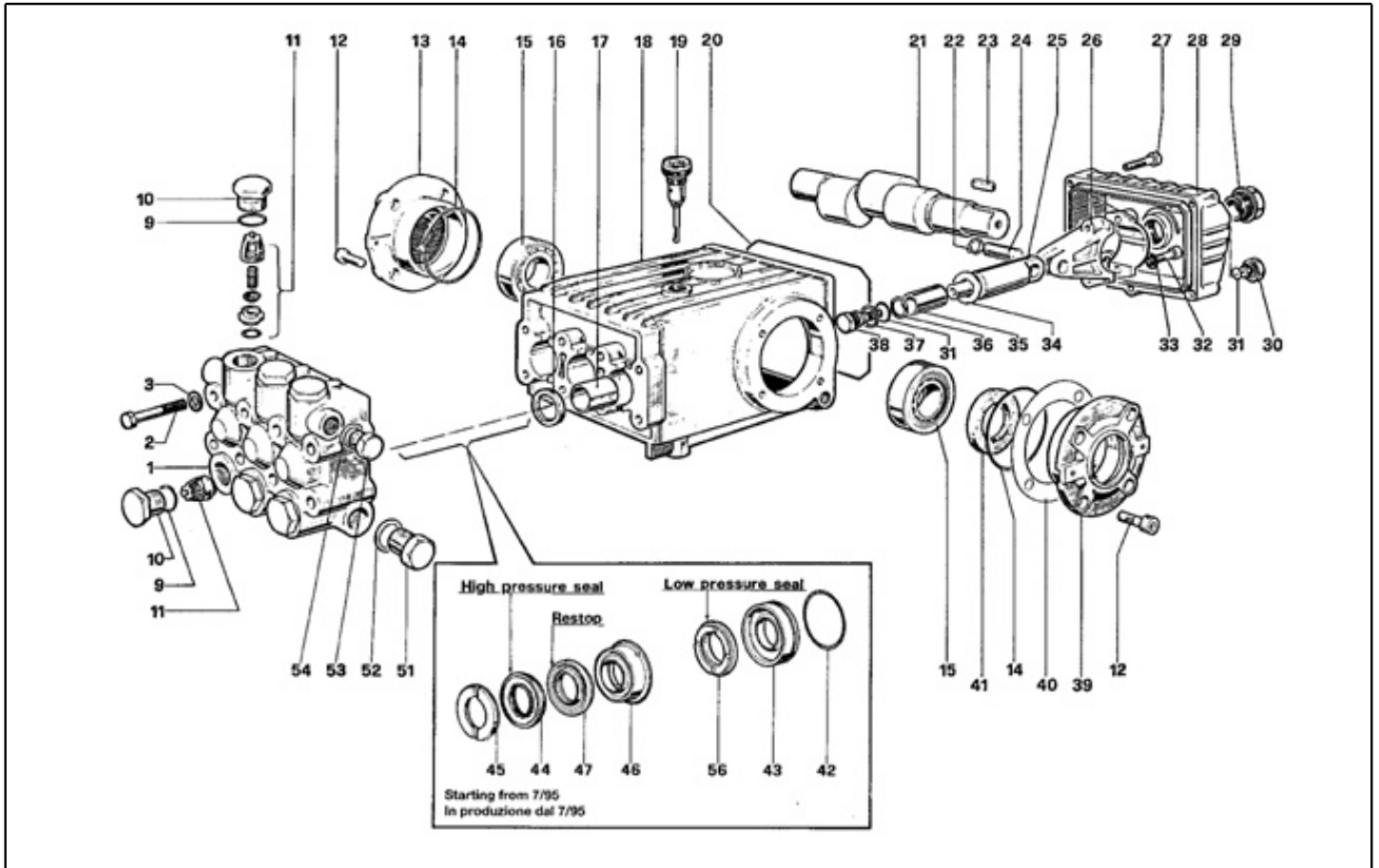
Ref. K	Part n.	Part n. 2	Description	Quantity	Validity		Price
					From	To	
K	METT41888		CONTACT SIE N.A. 3RH19 21-1EA11	1,00	01/10/2001		--
K	METT45024		CONTACTOR SIE 3RT 1026 1AC20 24V	1,00	01/10/2001		--
M	MOTR21304		3PH MOTOR HP5.5 230-400/50 - CU.	1,00			--
P	MEPF39902		PRESSURE SWITCH MTM 1/4M NA/NC 25B. MICRO	1,00			--
S	MEPF17533		PRESSURE SWITCH ST 261 N.C.	1,00		31/05/2004	--
S	MEPF88344		PROBE REED ST261.1 -2WR.	1,00	01/06/2004		--
T	METY33753		TIMER 3 S. MST 24V	1,00		13/11/2005	--
EC	MECE40708		PCB MISTRAL PR.II T-ST/MP/LIV	1,00	01/02/1999	01/12/2002	--
EC	MECE45448		PCB P105 T-ST/MP/LIV. STOP30'	1,00	02/12/2002	13/11/2005	--
EC	MECE89083		PCB P105 T-ST/MP/LIV. S30'+3"	1,00	14/11/2005		--
EV	MEBE22173		COIL DLT 24-50	1,00			--
EV	MEBE22173		COIL DLT 24-50	1,00		09/01/2005	--
EV	MEBE48504		COIL DLT 24-50 NF84	1,00	10/01/2005		--
F1	MEVR09010		FUSE 5X20 0,5A	1,00			--
F2	MEVR00237		FUSE 5X20 3,15A	1,00	04/06/1999		--
F3	MEVR02824		FUSE 5X20 1A	1,00			--
G1	MECI34446		SWITCH REED N.A.H115	1,00			--
G2	MECI34444		SWITCH REED N.C.H185 L=1300	1,00			--
IG	MECI40544		COMMUTAT.SWITCH 0-1-2 HD12H022-R000	1,00	01/02/1999		--
LC	MECE34831		FILTER LC F.AH.DA.3100ZF 6.5A	1,00			--
MB	MOMB34119		BURNER MOTOR 230-50 IP44 150W A.OR	1,00			--
PA	MEPD25575		DESCALING PUMP NME-1 24V CPL.	1,00			--
RT	METT45033		THERMAL RELAY SIE 3RU1126-4DB0 20-25 A	1,00	01/10/2001		--
TA	METR34464		TRANSFORMER 230V-50HZ 2X4000V SP4 CM	1,00	22/09/1996		--
TH	METK19354		THERMOSTAT 0-150° L=1500	1,00	01/02/1999		--
TR	METR11977		TRANSFORMER 35VA 230-400/24 50/60HZ	1,00			--
TS	METK34839		THERMOSTAT 60°C TR/711-N C.1.5	1,00			--
CV1	MECB17414		CABLE H07 RNF 4X2.5 L=6.500	1,00			--



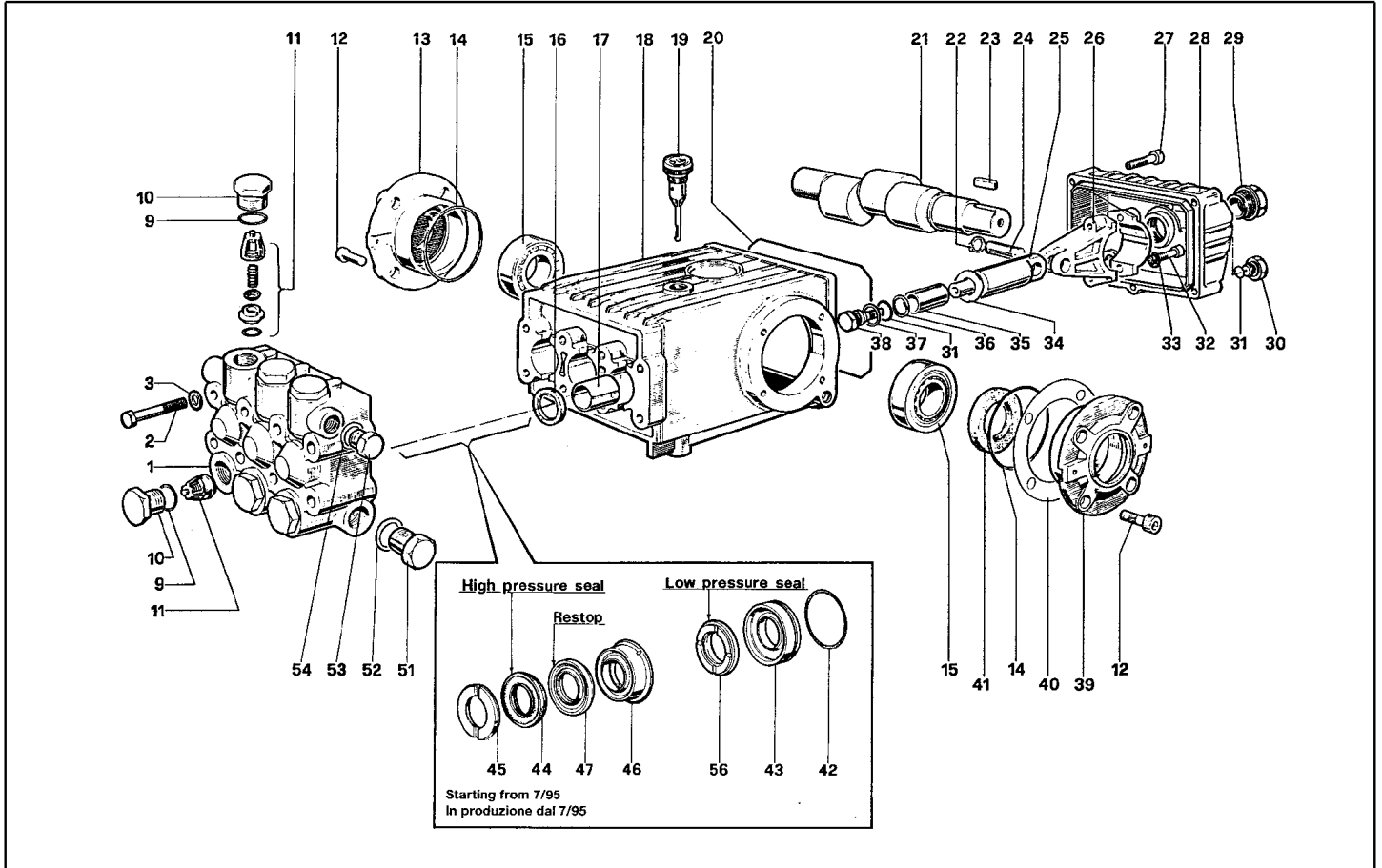
Ref. K	Part n.	Part n. 2	Description	Quantity	Validity		Price
					From	To	
0001	MFVR01097		HEAD W 151	1,00			--
0002	VTVT01111		SCREW TE M 8X70 UNI 5737 A.10.9	8,00			--
0003	VTRS01072		WASHER D. 8 TC	8,00			--
0009	S GUGO01033		O-RING D. 20.24 X 2.62 NBR 90SH	6,00			--
0010	S RCDS01087		CAP M24X2X16 OTT	6,00			--
0011	S VVAM01104		VALVE UNIT W 70-151	6,00			--
0012	VTVT01118		SCREW TCEI M 8X16 ZC. UNI 5931	8,00			--
0013	MFVR03576		CRANKASE COVER W151	1,00			--
0014	GUGO01041		O-RING D. 67.95 X 2.62 NBR 70SH	2,00			--
0015	CUVR09205		ROLLER BEARING 32206 A	2,00			--
0016	S GUGO01000		OIL SEAL 22X 32X 5 NBR70	3,00			--
0017	PVVR01011		BUSHING W 151	3,00			--
0018	MFVR01013		PUMP CRANKCASE W 151	1,00			--
0019	PVVR01092		OIL DIPSTICK W 151	1,00			--
0020	GUGO34590		O-RING D. 133.02 X 2.62 NBR 70SH	1,00			--
0021	ALMO03577		SHAFT WS151	1,00			--
0022	VTAE14016		CIRCLIP D. 12 UNI 7435	6,00			--
0023	VTVR01031		KEY 8X7X25 UNI6604	1,00			--
0024	PVVR01085		GUDGEON D.13X35 W151	3,00			--
0025	PVVR01029		PISTON GUIDE W 151	3,00			--
0026	BLVR01009		CONNECTING ROD W 151	3,00			--
0027	VTVT01116		SCREW TCEI 6X30 UNI5931	5,00			--
0028	MFVR03582		CRANKASE COVER W 151 POS	1,00			--
0029	PVVR01083		OIL INDICATOR G 3/4 W70-151	1,00			--
0030	RCDS01088		CAP 1/4X 9 M WW90	1,00			--
0031	S GUGO01036		O-RING D. 10.82 X 1.78 NBR 70SH	4,00			--
0032	VTVT01120		SCREW TCEI 8X35 UNI5931	6,00			--
0033	VTRS14242		WASHER D. 8.4X13X0.8 UNI7064 SCH	6,00			--
0034	S VTRS01753		WASHER D.14X28 X0,5	3,00			--
0035	PIVR01066		PISTON D.20X50 W 151	3,00			--
0036	S GUVR00994		ANTI-EXTR.RING W151	3,00			--
0037	S VTRS01076		WASHER D.14X18,5X0,5	3,00			--
0038	S PVVR01107		PISTON BOLT IP W151	3,00			--
0039	MFVR03583		CRANKASE COVER W151	1,00			--
0040	PVVR01016		THICKNESS 0,1 W 151	2,00			--
0041	S GUGO01003		OIL SEAL 30X 55X 7 NBR70	1,00			--
0042	S GUGO01042		O-RING D. 34.6 X 1.78 NBR 70SH	3,00			--
0043	S PVVR00977		PACKING RETAIN. W151	3,00			--
0044	S GUVR00981		PACKING W151	3,00			--
0045	S PVVR00985		HEAD RING W151	3,00			--
0046	S PVVR34589		INTERMED. RING W 151 D. 20	3,00			--
0047	S GUVR34587		PACKING D. 20 RESTOP	3,00			--
0051	RCDS01091		CAP 1/2X10 M	1,00			--
0052	VTRS01075		WASHER D.21,5X27 ALL	1,00			--



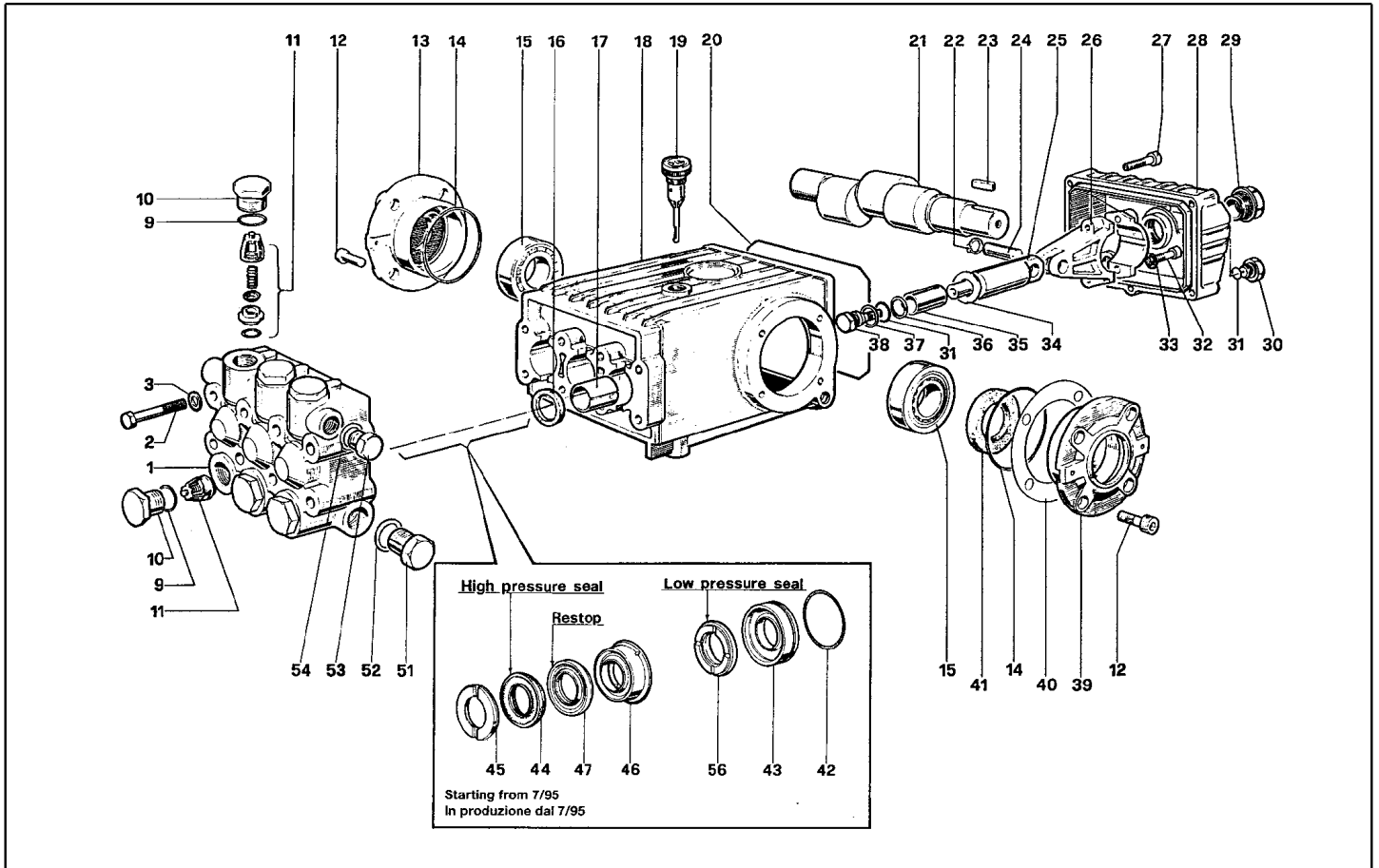
Ref. K	Part n.	Part n. 2	Description	Quantity	Validity		Price
					From	To	
0053	RCDS01090		CAP 3/8X13 M WW90	1,00			--
0054	VTRS01074		WASHER D.17,05X22,3 X1,5	1,00			--
0056	S	GUVR34585	PACKING W 151 L.P.	3,00			--



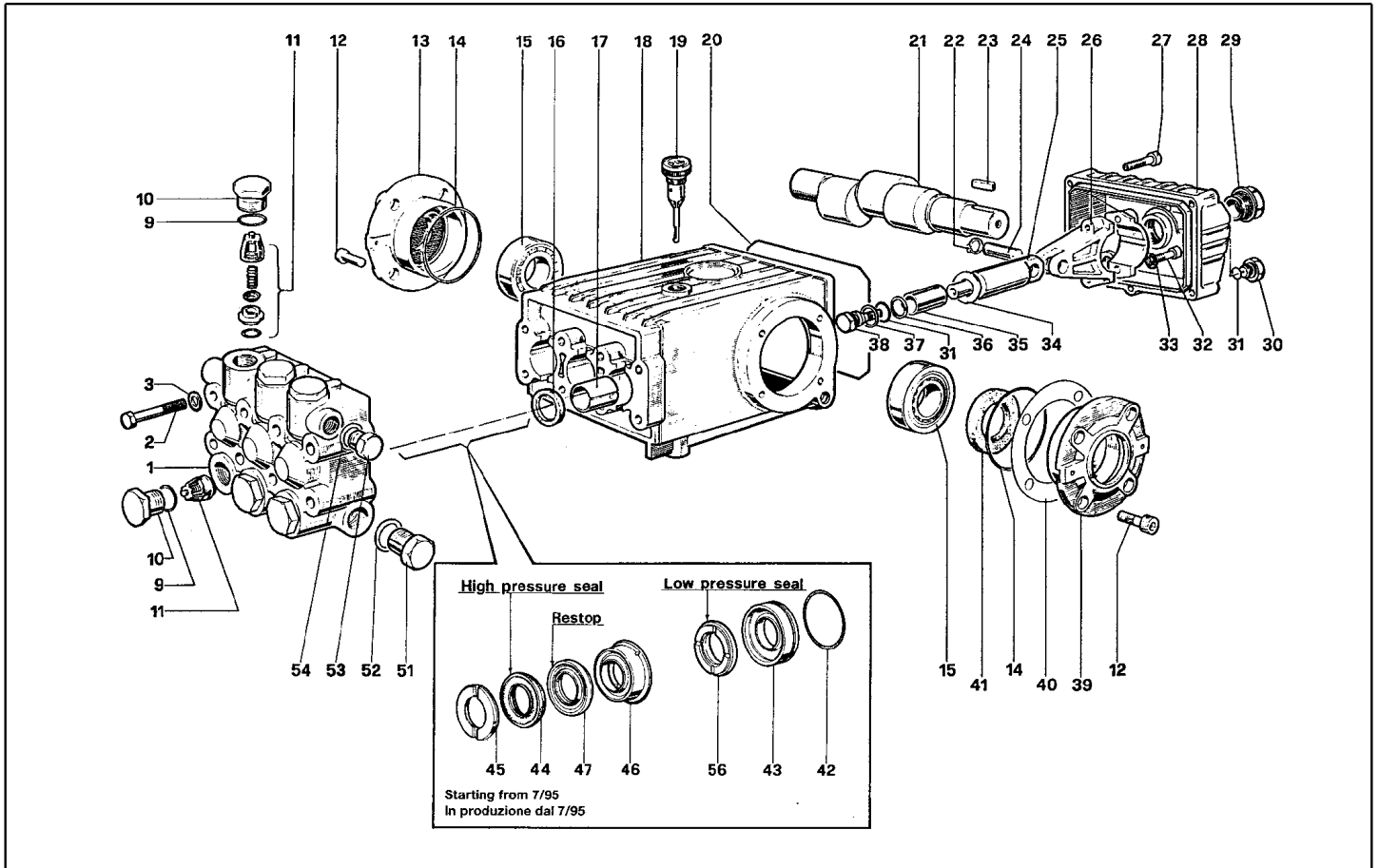
Ref. Part n.	Part n. 2	Description	Reference	Price
KTRI17795		KIT P 4	0009 0010	--
KTRI17859		KIT P 1	0011	--
KTRI17860		KIT P 15- 2	0016	--
KTRI17793		KIT P 6	0031 0034 0036 0037 0038	--
KTRI14900		KIT P 15- 3	0041	--
KTRI14901		KIT P 10	0042 0043	--
KTRI18579		KIT P 28	0042 0043 0044 0045 0046 0047 0056	--
KTRI18574		KIT P 7	0045	--



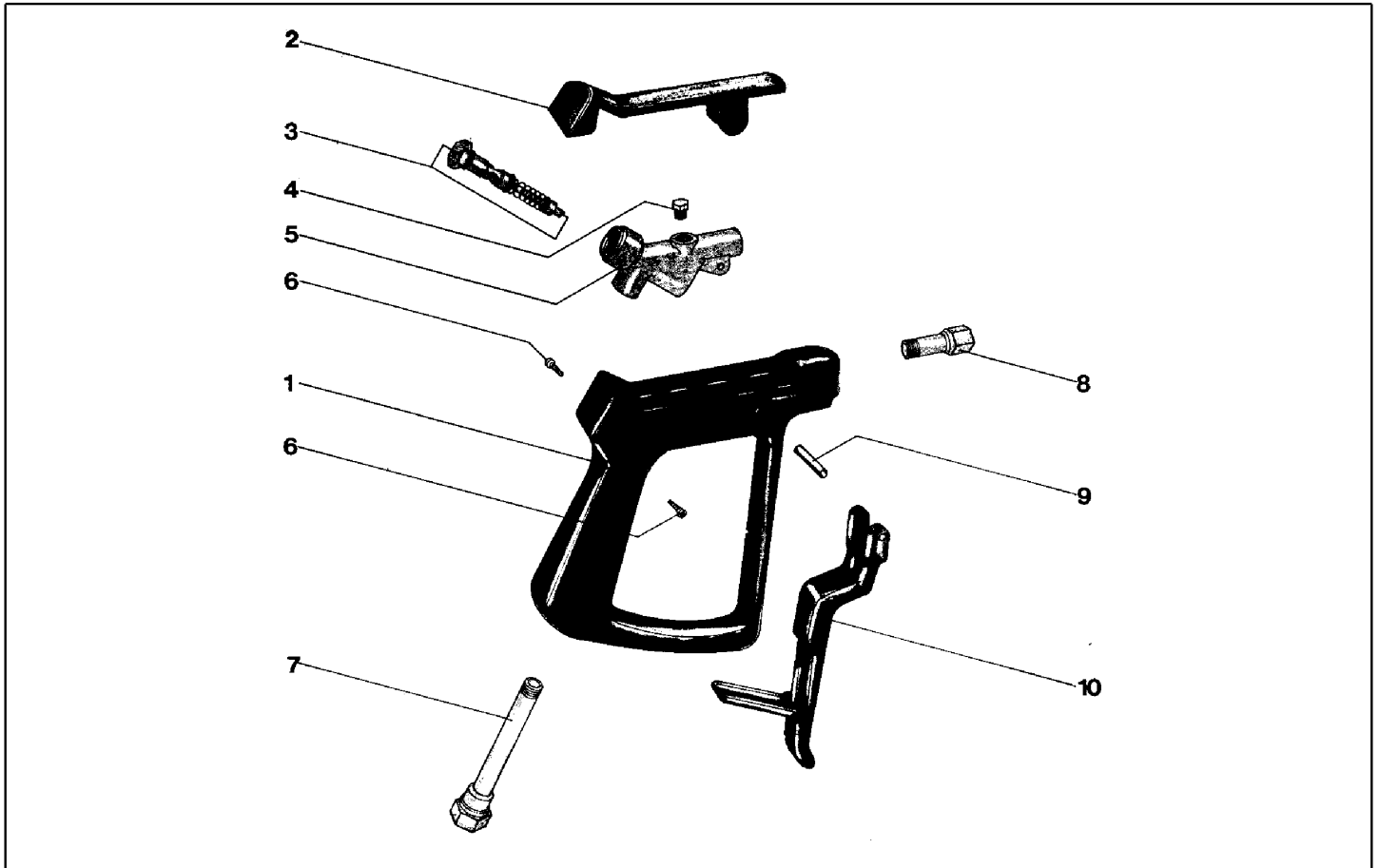
Ref. K	Part n.	Part n. 2	Description	Quantity	Validity		Price
					From	To	
0001	MFVR01097		HEAD W 151	1,00			--
0002	VTVT01111		SCREW TE M 8X70 UNI 5737 A.10.9	8,00			--
0003	VTRS01072		WASHER D. 8 TC	8,00			--
0009	S GUGO01033		O-RING D. 20.24 X 2.62 NBR 90SH	6,00			--
0010	S RCDS01087		CAP M24X2X16 OTT	6,00			--
0011	S VVAM01104		VALVE UNIT W 70-151	6,00			--
0012	VTVT01118		SCREW TCEI M 8X16 ZC. UNI 5931	8,00			--
0013	MFVR03576		CRANKASE COVER W151	1,00			--
0014	GUGO01041		O-RING D. 67.95 X 2.62 NBR 70SH	2,00			--
0015	CUVR09205		ROLLER BEARING 32206 A	2,00			--
0016	S GUGO01000		OIL SEAL 22X 32X 5 NBR70	3,00			--
0017	PVVR01011		BUSHING W 151	3,00			--
0018	MFVR01013		PUMP CRANKCASE W 151	1,00			--
0019	PVVR01092		OIL DIPSTICK W 151	1,00			--
0020	GUGO34590		O-RING D. 133.02 X 2.62 NBR 70SH	1,00			--
0021	ALMO41530		SHAFT TS 1511 USA	1,00			--
0022	VTAE14016		CIRCLIP D. 12 UNI 7435	6,00			--
0023	VTVR41531		KEY 8X 7X35 UNI 6604A	1,00			--
0024	PVVR01085		GUDGEON D.13X35 W151	3,00			--
0025	PVVR01029		PISTON GUIDE W 151	3,00			--
0026	BLVR01009		CONNECTING ROD W 151	3,00			--
0027	VTVT01116		SCREW TCEI 6X30 UNI5931	5,00			--
0028	MFVR03582		CRANKASE COVER W 151 POS	1,00			--
0029	PVVR01083		OIL INDICATOR G 3/4 W70-151	1,00			--
0030	RCDS01088		CAP 1/4X 9 M WW90	1,00			--
0031	S GUGO01036		O-RING D. 10.82 X 1.78 NBR 70SH	4,00			--
0032	VTVT01120		SCREW TCEI 8X35 UNI5931	6,00			--
0033	VTRS14242		WASHER D. 8.4X13X0.8 UNI7064 SCH	6,00			--
0034	S VTRS01753		WASHER D.14X28 X0,5	3,00			--
0035	PIVR01066		PISTON D.20X50 W 151	3,00			--
0036	S GUVR00994		ANTI-EXTR.RING W151	3,00			--
0037	S VTRS01076		WASHER D.14X18,5X0,5	3,00			--
0038	S PVVR01107		PISTON BOLT IP W151	3,00			--
0039	MFVR03583		CRANKASE COVER W151	1,00			--
0040	PVVR01016		THICKNESS 0,1 W 151	2,00			--
0041	S GUGO01003		OIL SEAL 30X 55X 7 NBR70	1,00			--
0042	S GUGO01042		O-RING D. 34.6 X 1.78 NBR 70SH	3,00			--
0043	S PVVR00977		PACKING RETAIN. W151	3,00			--
0044	S GUVR00981		PACKING W151	3,00			--
0045	S PVVR00985		HEAD RING W151	3,00			--
0046	S PVVR34589		INTERMED. RING W 151 D. 20	3,00			--
0047	S GUVR34587		PACKING D. 20 RESTOP	3,00			--
0051	RCDS01091		CAP 1/2X10 M	1,00			--
0052	VTRS01075		WASHER D.21,5X27 ALL	1,00			--



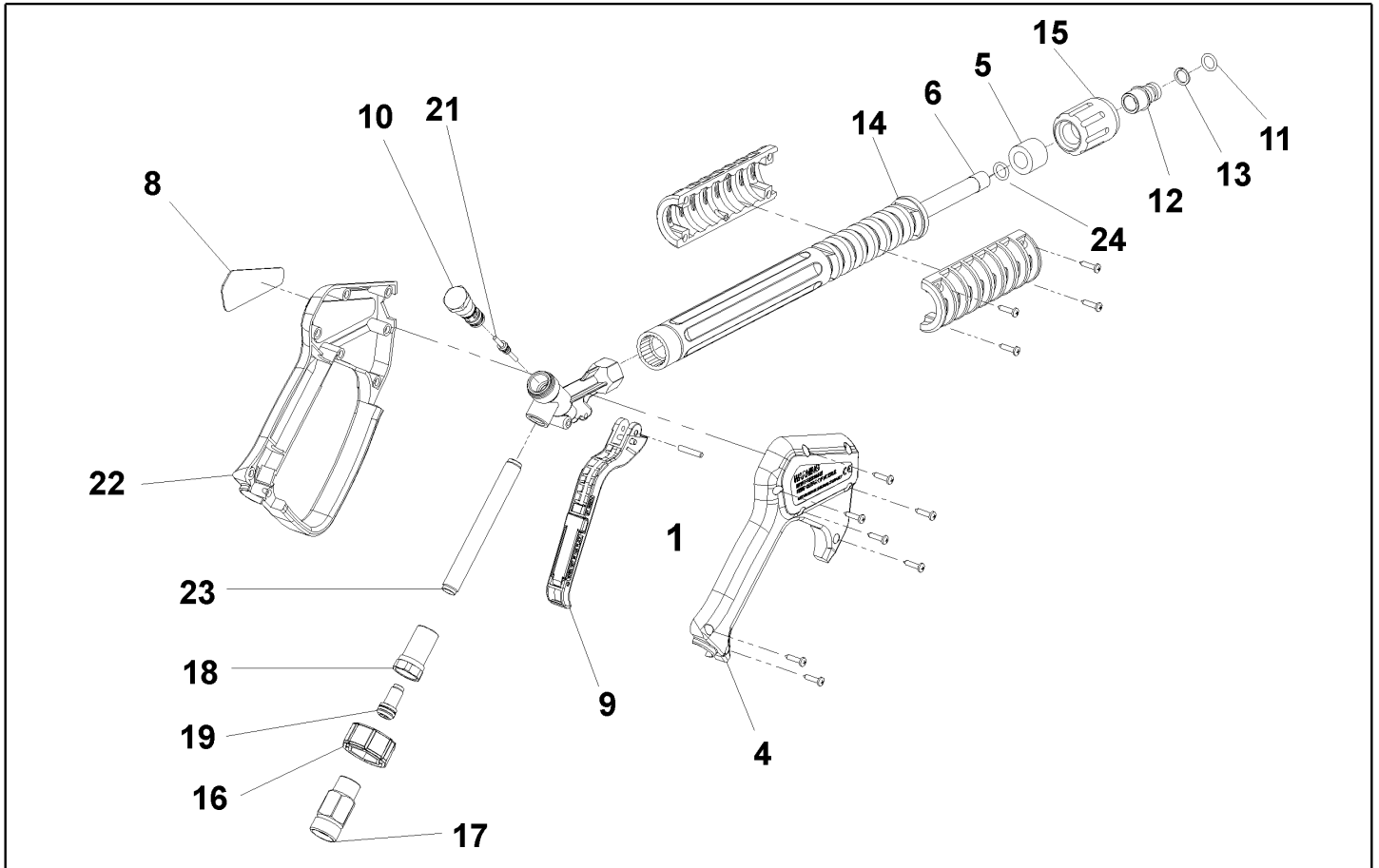
Ref. K	Part n.	Part n. 2	Description	Quantity	Validity		Price
					From	To	
0053	RCDS01090		CAP 3/8X13 M WW90	1,00			--
0054	VTRS01074		WASHER D.17,05X22,3 X1,5	1,00			--
0056	S	GUVR34585	PACKING W 151 L.P.	3,00			--



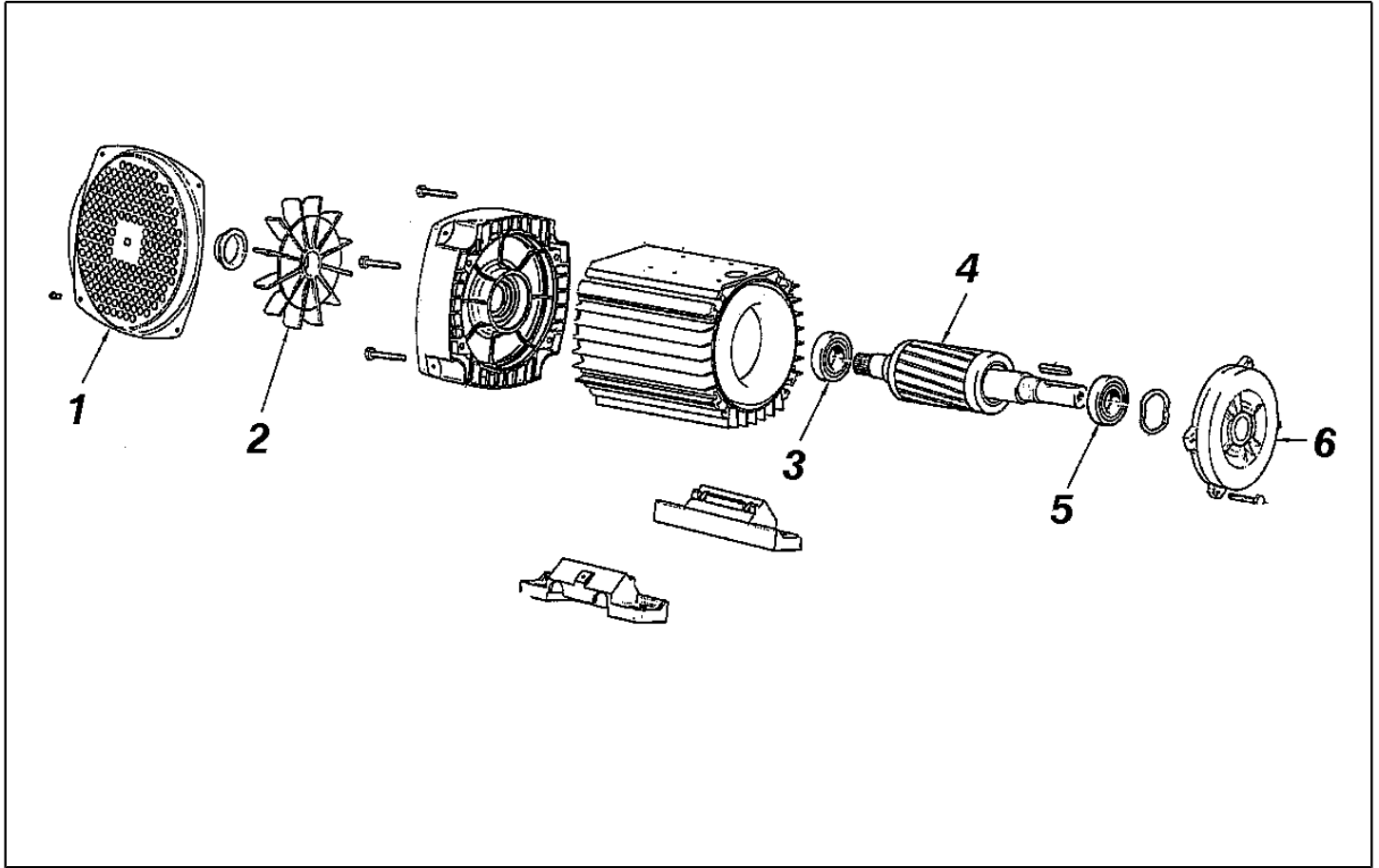
Ref. Part n.	Part n. 2	Description	Reference	Price
KTRI17795		KIT P 4	0009 0010	--
KTRI17859		KIT P 1	0011	--
KTRI17860		KIT P 15- 2	0016	--
KTRI17793		KIT P 6	0031 0034 0036 0037 0038	--
KTRI14900		KIT P 15- 3	0041	--
KTRI14901		KIT P 10	0042 0043	--
KTRI18579		KIT P 28	0042 0043 0044 0045 0046 0047 0056	--
KTRI18574		KIT P 7	0045	--
KTRI36927		KIT P 69	0044 0047 0056	--
KTRI35429		KIT P 71	0046 0047	--



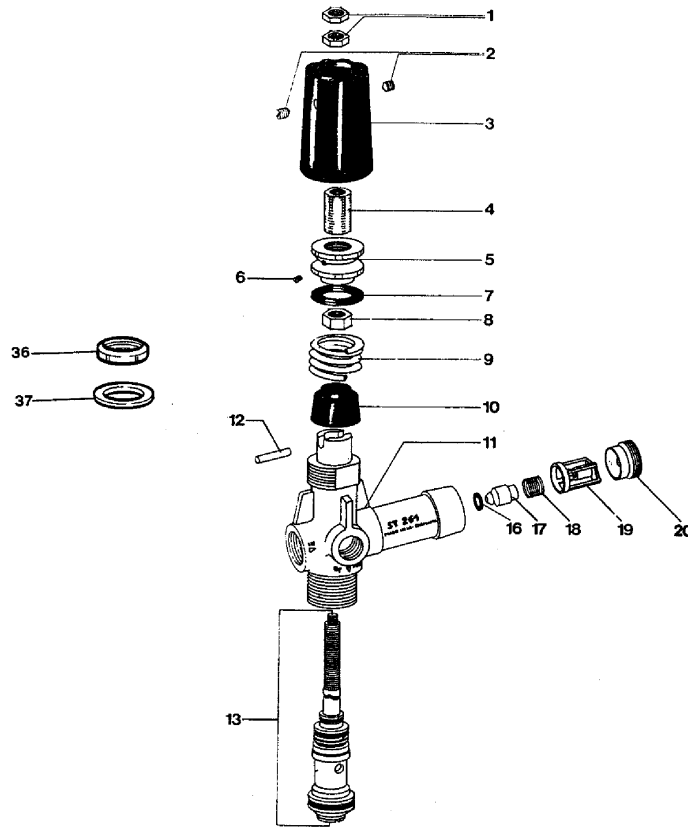
Ref. K	Part n.	Part n. 2	Description	Quantity	Validity		Price
					From	To	
0001	PVVR08141		BODY ST 2000	1,00			--
0002	PVVR08142		COVER ST 2000	1,00			--
0003	KTRI10689		KIT P 26- 1	1,00			--
0004	RCDS08145		CAP G 1/8" OT	1,00			--
0005	PVVR08146		BRASS HOUSING ST 2000	1,00			--
0006	VTVT28553		SCREW TCB-TC 3.5X16	2,00			--
0007	PVVR29763		PIPE G 1/4" +RCC 3/8"	1,00			--
0008	PVVR08147		CONNECTOR 1/4 ST 2000	1,00			--
0009	PVVR08149		PIN ST 2000	1,00			--
0010	PVVR08143		CONTROL LEVER	1,00			--



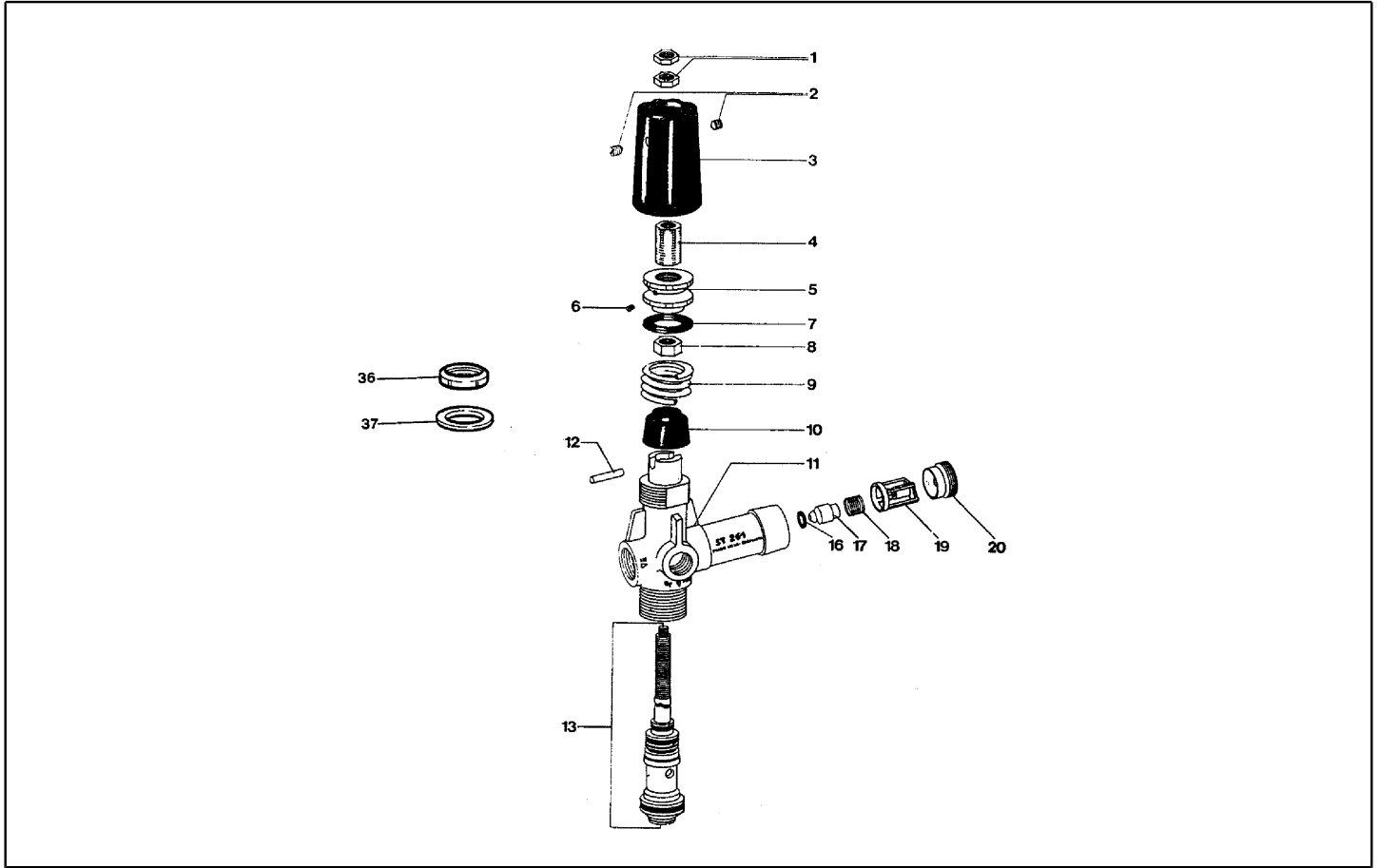
Ref. K	Part n.	Part n. 2	Description	Quantity	Validity		Price
					From	To	
0001	VTVR46568		PLUG G 4500	1,00			--
0004	MPVR46563		COVER G 4500	1,00		30/04/2008	--
0004	MPVR40157		COVER G 4500 2V.	1,00	01/05/2008		--
0005	MPVR46572		SPACER P 330 ST	1,00			--
0006	LCPR46571		TUBE 1/4 L=352 ZC.	1,00		30/04/2008	--
0006	LCPR40007		TUBE 1/4 L=352 ZC. 2V.	1,00	01/05/2008		--
0008	MPVR46569		PLATE G 4500 RD.	1,00			--
0009	MPVR40057		TRIGGER G 4500 -SW	1,00			--
0010	PVVR40030		SMALL PISTON TM ST-2300	1,00			--
0011	GUGO10384		O-RING D. 10 X 2.2 VIT 80SH	1,00			--
0012	RCVR13030		GUDGEON G 1/4 F L=31.5	1,00			--
0013	GUVR10526		ANTI-EXTR.RING D.13.9X10.2 C.BZ	1,00			--
0014	MPVR46570		PROTECTION P 330 ST	1,00			--
0015	PVVR13445		CONNECTION M 22X1,5 L=45	1,00			--
0016	MPVR40058		RING NUT G4500 SW.	1,00			--
0017	RCIN40001		JOINT SWIV 4500 3/8"F	1,00		30/04/2008	--
0017	RCIN40005		JOINT SWIV 4500 3/8"F 2V.	1,00	01/05/2008		--
0018	RCIN31641		CONNECTOR SWIV 1500 F	1,00			--
0019	KTRI31645		KIT P 26- 14	1,00			--
0021	PVVR40031		ROD ST-2300	1,00			--
0022	MPVR46562		SHELL G 4500	1,00		30/04/2008	--
0022	MPVR40156		SHELL G 4500 2V.	1,00	01/05/2008		--
0023	PVVR40023		TUBE G 1/4" M/M P/SW.	1,00			--
0024	GUGO27021		O-RING D. 11 X 2.5 EPD 70SH	1,00	01/05/2008		--



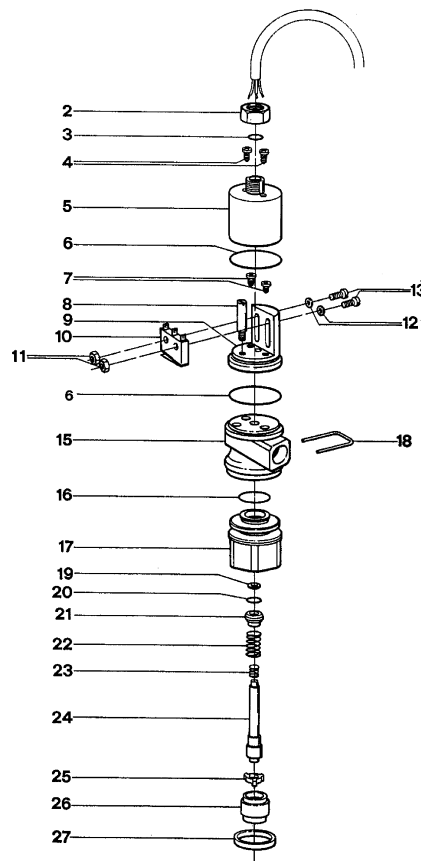
Ref. K	Part n.	Part n. 2	Description	Quantity	Validity		Price
					From	To	
0001	LAFN40007		PROTECTION ED H.112 EST. LM.BK	1,00			--
0002	VEVR48370		MOTOR FAN H 112 EST. ELD	1,00			--
0003	CUVR40002		BALL BEARING 6306 2Z	1,00			--
0004	MORT40001		EL.MOT. ROTOR 7.5HP T 4P H112 AC EST ED	1,00			--
0005	CUVR21250		BALL BEARING 6008 2Z	1,00			--
0006	MFVR48371		FLANGE MOTOR MEC 112 T. EST. ELD	1,00			--



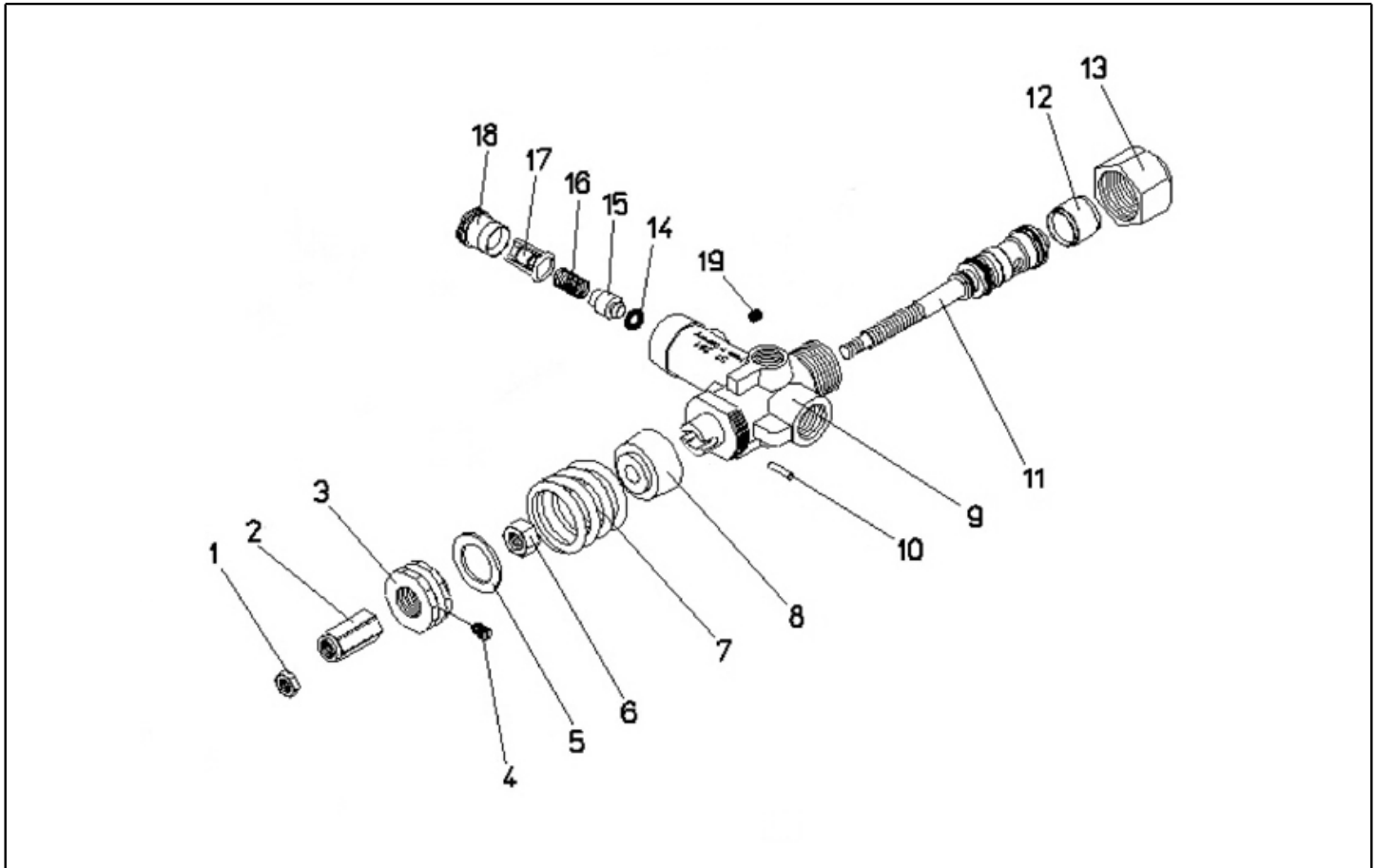
Ref. K	Part n.	Part n. 2	Description	Quantity	Validity		Price
					From	To	
0001	VTDD14926		NUT M6X1 UNI5589	2,00			--
0002	VTVT08589		SCREW EI-ST 5X 6 U.5923	2,00			--
0003	MPVR09436		BLACK KNOB ST 260	1,00			--
0004	PVVR14933		SCREW	1,00			--
0005	VTVT14927		SCREW	1,00			--
0006	VTVT14925		SCREW EI-ST 5X 6 UNI5929	2,00			--
0007	GUVR14928		RING	1,00			--
0008	VTDD14930		NUT M8X1 UNI5588	1,00			--
0009	MLML14929		SPRING D.18X4X28	1,00			--
0010	PVVR16955		SPRING SEAT ST	1,00			--
0011	PVVR16956		VALVE BODY ST 261	1,00			--
0012	PVVR16957		PIN D. 3X13 ST	1,00			--
0013	KTRI16958		KIT P 14- 20	1,00			--
0016	S GUGO10373		O-RING D. 5 X 2.5 VIT 80SH	1,00			--
0017	S PVVR08615		VALVE PART	1,00			--
0018	S MLML08616		SPRING	1,00			--
0019	S PVVR08617		VALVE CAGE	1,00			--
0020	PVVR08618		NUT	1,00			--
0036	PVVR10580		NUT	1,00			--
0037	VTRS17544		WASHER D.30X41.5X2 ST	1,00			--



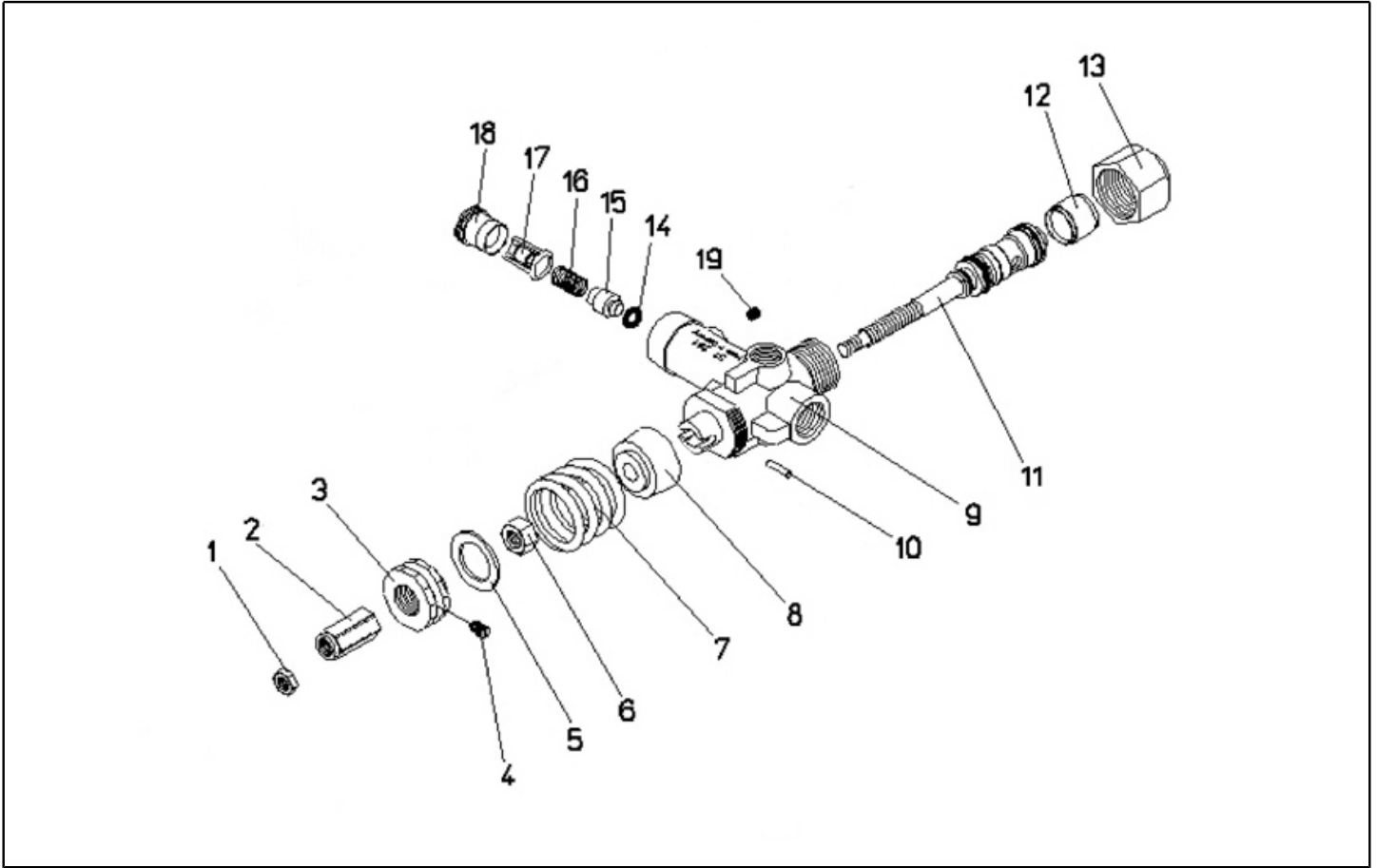
Ref. Part n.	Part n. 2	Description	Reference	Price
KTR114653		KIT P 14- 4	0016 0017 0018 0019	--



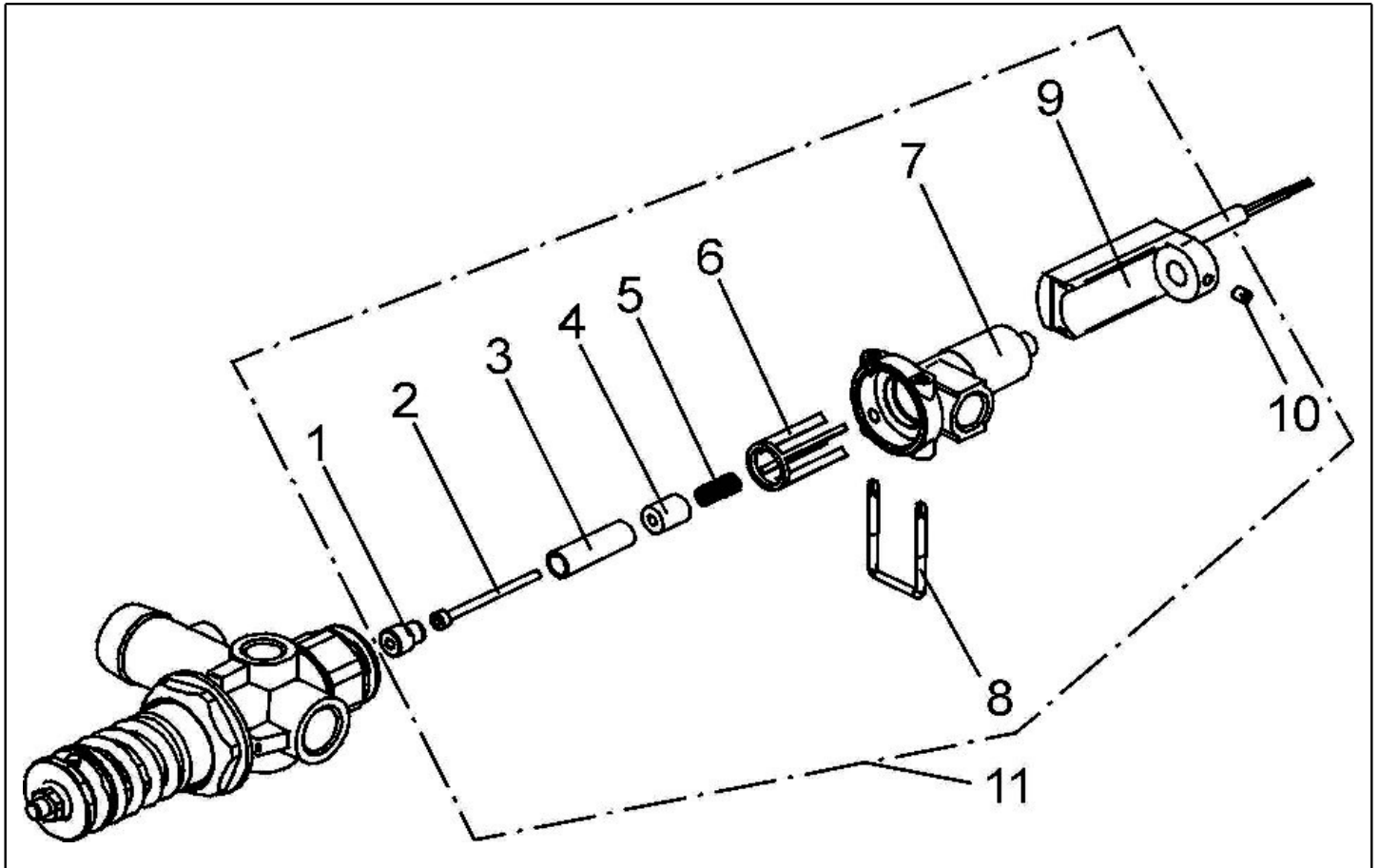
Ref. K	Part n.	Part n. 2	Description	Quantity	Validity		Price
					From	To	
0002	VTDD08624		NUT ST 260	1,00			--
0003	GUGO10373		O-RING D. 5 X 2.5 VIT 80SH	1,00			--
0004	VTVT08630		SCREW TCB 2,9 X 9,5	2,00			--
0005	PVVR08628		COVERING ST 260 S	1,00			--
0006	GUGO08629		O-RING D. 24 X 1.5 NBR 70SH	2,00			--
0007	VTVT08630		SCREW TCB 2,9 X 9,5	2,00			--
0008	PVVR08631		NUT	1,00			--
0009	PVVR08632		COVERING ST 260 M	1,00			--
0010	MECI08633		MICRO-SWITCH ST 261	1,00			--
0011	VTDD08634		NUT M2	1,00			--
0012	VTRS13332		WASHER OTT	2,00			--
0013	VTVT08643		SCREW	2,00			--
0015	PVVR17568		BODY SW 261	1,00			--
0016	GUGO08609		O-RING D. 15 X 1.5 EPDM70SH	1,00			--
0017	PVVR17569		BODY SW 261	1,00			--
0018	VTVR17570		PLUG ST	1,00			--
0019	GUVR13333		ANTI-EXTR.RING	1,00			--
0020	GUGO07014		O-RING D. 3.3 X 2.4 EPDM80SH	1,00			--
0021	PVVR13334		SPACER OTT	1,00			--
0022	MLML13335		SPRING	1,00			--
0023	MLML08639		SPRING	1,00			--
0024	PVVR17571		ROD ST 261	1,00			--
0025	PVVR08641		PIN GUIDE	1,00			--
0026	PVVR17572		SPACER ST	1,00			--
0027	VTRS17573		WASHER ST	1,00		01/01/2001	--



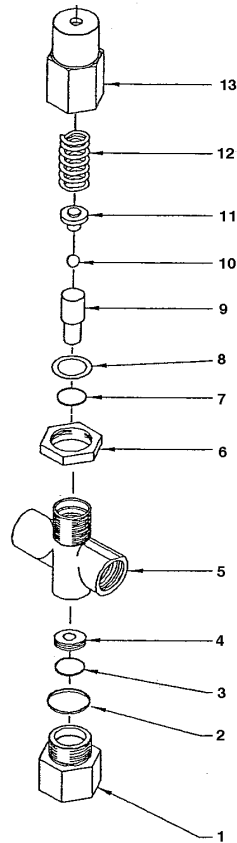
Ref. K	Part n.	Part n. 2	Description	Quantity	Validity		Price
					From	To	
0001	VTDD14926		NUT M6X1 UNI5589	1,00			--
0002	PVVR14933		SCREW	1,00			--
0003	VTVT14927		SCREW	1,00			--
0004	VTVT14925		SCREW EI-ST 5X 6 UNI5929	1,00			--
0005	GUVR14928		RING	1,00			--
0006	VTDD14930		NUT M8X1 UNI5588	1,00			--
0007	MLML14929		SPRING D.18X4X28	1,00			--
0008	PVVR16955		SPRING SEAT ST	1,00			--
0009	PVVR88455		VALVE BODY ST261.1	1,00			--
0010	PVVR16957		PIN D. 3X13 ST	1,00			--
0011	KTRI16958		KIT P 14- 20	1,00			--
0012	PVVR88456		SPACER ST261.1	1,00			--
0013	PVVR88457		CAP ST261.1	1,00			--
0014	S	GUGO10373	O-RING D. 5 X 2.5 VIT 80SH	1,00			--
0015	S	PVVR08615	VALVE PART	1,00			--
0016	S	MLML08616	SPRING	1,00			--
0017	S	PVVR08617	VALVE CAGE	1,00			--
0018	PVVR08618		NUT	1,00			--



Ref. Part n.	Part n. 2	Description	Reference	Price
KTRI14653		KIT P 14- 4	0014 0015 0016 0017	--



Ref. K	Part n.	Part n. 2	Description	Quantity	Validity		Price
					From	To	
0001	PVVR88345		PIPE RD. ST261.1	1,00			--
0002	PVVR88346		PUSH ROD REED ST261.1	1,00			--
0003	PVVR88347		BUSHING REED ST261.1	1,00			--
0004	MEEG88348		ELECTRO-MAGNET RD. ST261.1	1,00			--
0005	MLML88349		SPRING RD. ST261.1	1,00			--
0006	PVVR88350		VALVE GUIDE RD. ST261.1	1,00			--
0007	PVVR88351		BODY RD. ST261.1	1,00			--
0008	VTVR17570		PLUG ST	1,00			--
0009	MECI88352		SWITCH REED ST261.1 -2WR.	1,00			--
0010	VTVT08589		SCREW EI-ST 5X 6 U.5923	1,00			--
0011	MEPF88344		PROBE REED ST261.1 -2WR.	1,00			--



Ref. K	Part n.	Part n. 2	Description	Quantity	Validity		Price
					From	To	
0001	RCVR61105		CONNECTOR VS 220	1,00			--
0002	GUGO03505		O-RING D. 15.6 X 1.78 NBR 70SH	1,00			--
0003	GUGO10800		O-RING D. 10 X 1 NBR 70SH	1,00			--
0004	PVVR61091		VALVE SEAT 4,5X12X4 MM	1,00			--
0005	PVVR61073		VALVE BODY VS 220	1,00			--
0006	VTDD33553		LOCKNUT M 24	1,00			--
0007	GUGO63424		O-RING D. 7.66	1,00			--
0008	GUVR11936		ANTI-EXTR.RING D. 8 X11 PA	1,00			--
0009	PVVR33551		PISTON PA	1,00			--
0010	SFVR61110		BALL VS 220	1,00			--
0011	PVVR61099		SUPPORT VS 220	1,00			--
0012	MLML61052		SPRING 170 B. VS 220	1,00			--
0013	PVVR61080		SLEEVE VS 220	1,00			--