

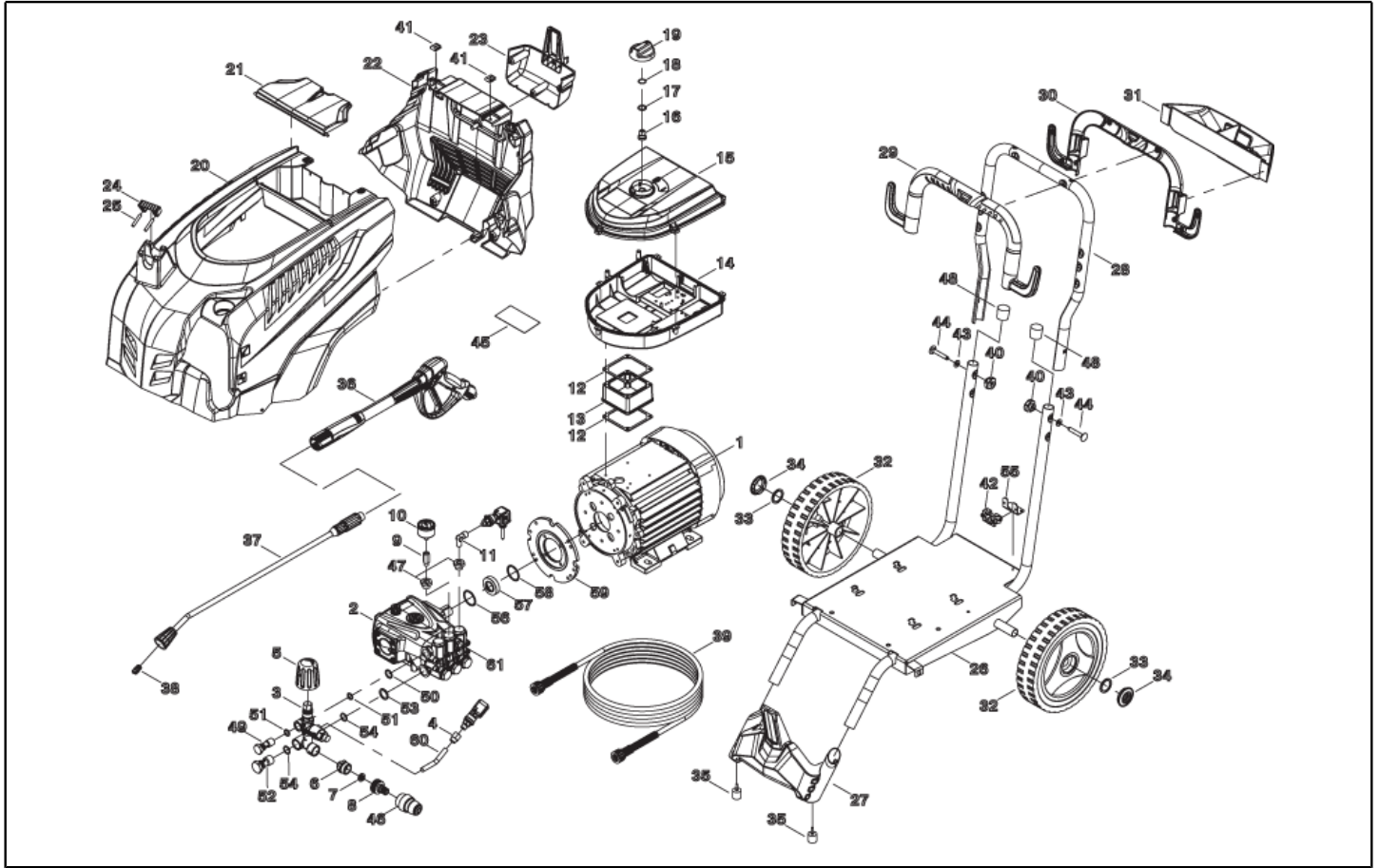


IPC

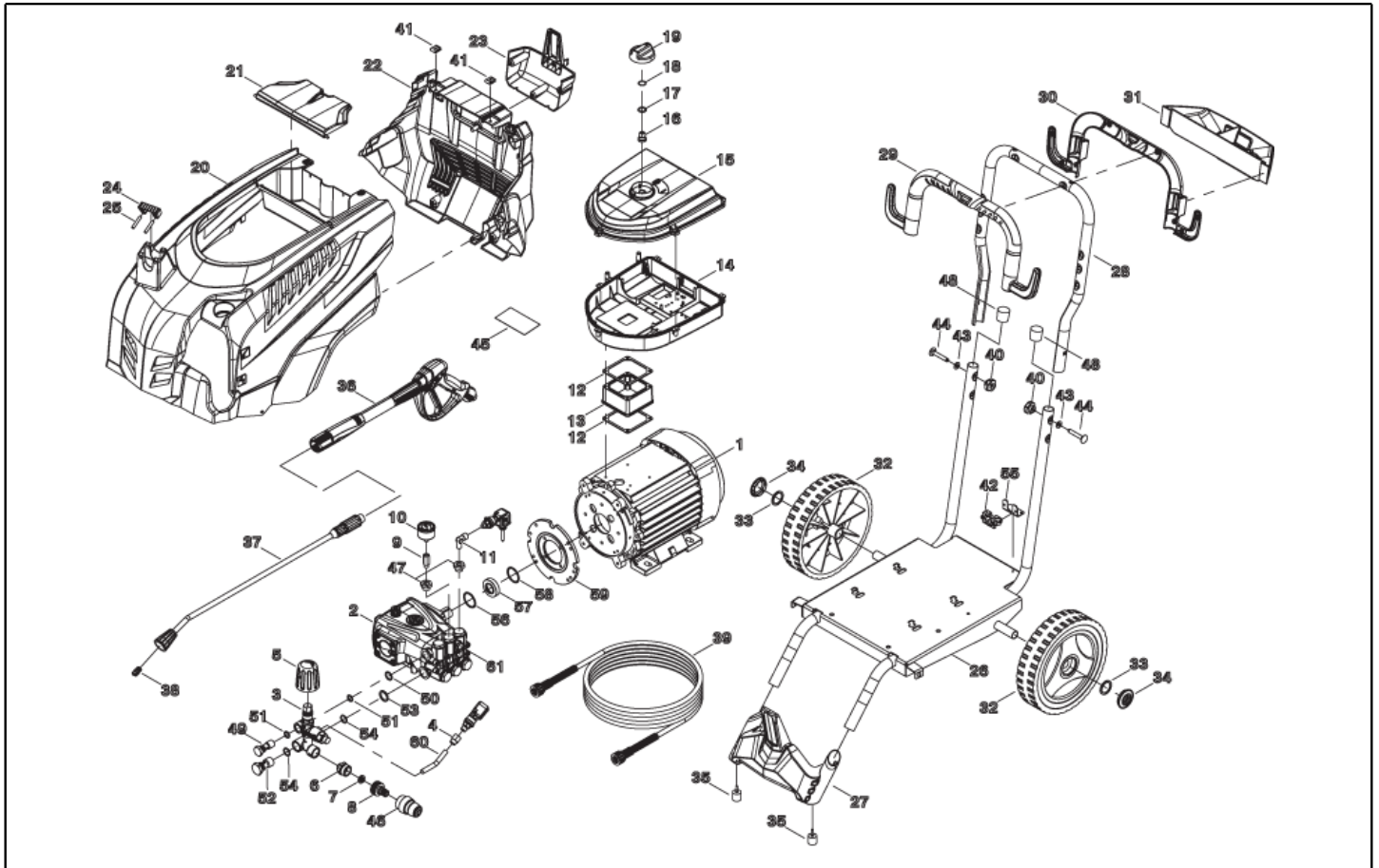
Spare parts list

Ref: IDAF41004

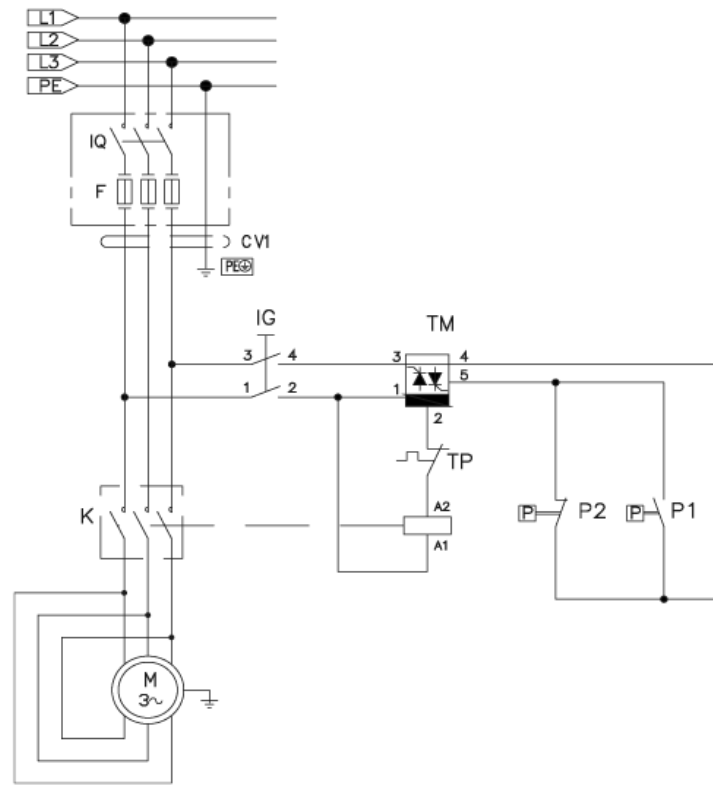
Model: H.P. CLEANER PW-C55 D2117P T230/50IPC



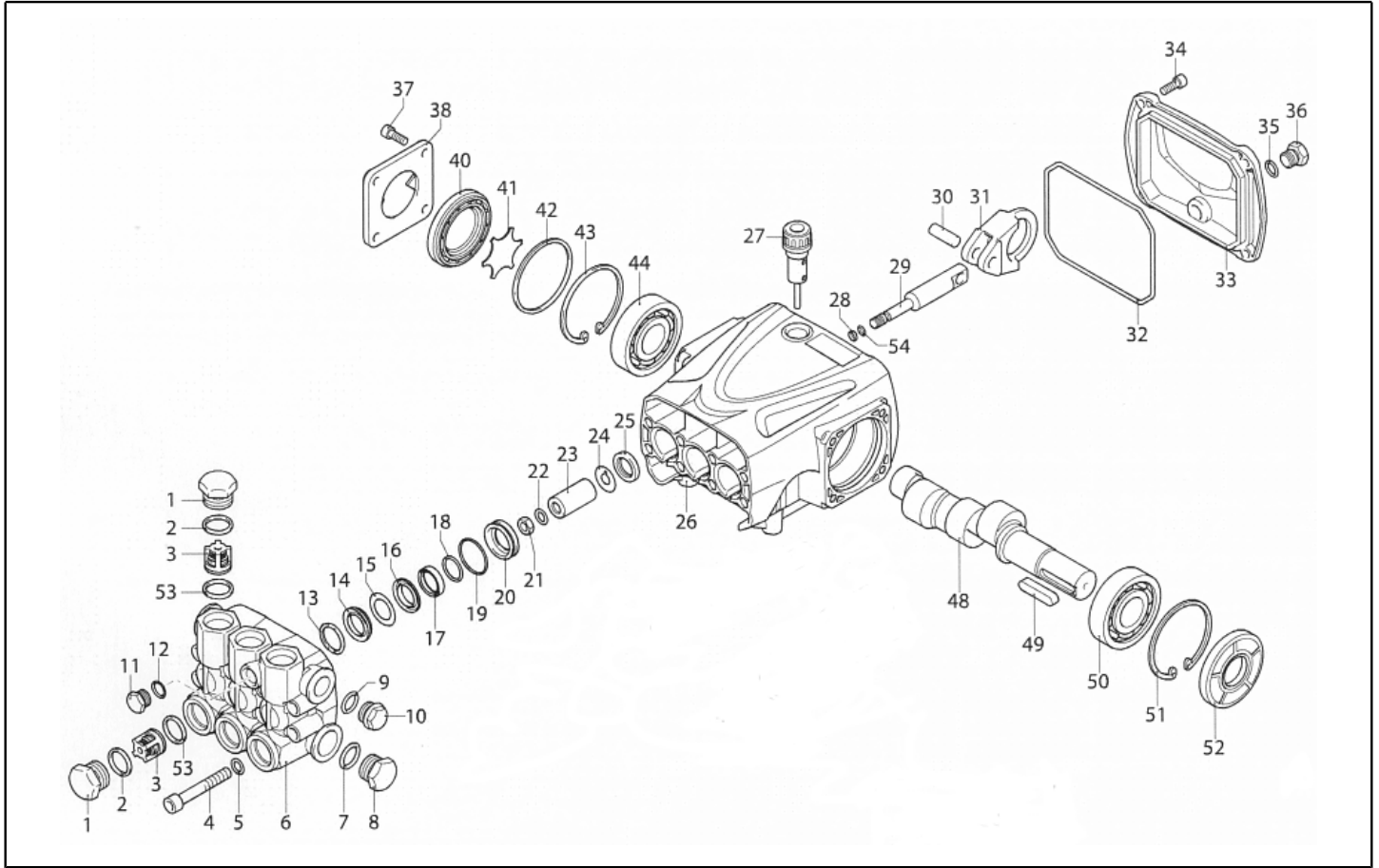
| Ref. K | Part n. | Customer part n. | Description | Quantity | Validity | | Price |
|--------|-----------|------------------|--|----------|----------|----|-------|
| | | | | | From | To | |
| 0001 | MOTR40030 | | 3PH MOTOR C50 HP7.5 23-400/50C RR/K | 1,00 | | | -- |
| 0002 | PPAP40058 | | PUMP RR 15.20 DX N | 1,00 | | | -- |
| 0003 | VVAZ40078 | | VALVE VRF-2 AR-R PPr.S/IN.M22 | 1,00 | | | -- |
| 0004 | RCVR45741 | 00045741 | NOZZLE HOLDER 1/4-1/8 F MTM | 1,00 | | | -- |
| 0005 | PVVR40471 | | KNOB VRF-2 A.sf. | 1,00 | | | -- |
| 0006 | RCDS87610 | 00087610 | NIPPLE 3/4 - 1/2 CB D.13.0 | 1,00 | | | -- |
| 0007 | FTDT12702 | 00012702 | FILTER PA | 1,00 | | | -- |
| 0008 | RCVR29600 | 00029600 | SOCKET PTC 3/4 F | 1,00 | | | -- |
| 0009 | RCDS40280 | | COLUMN M-F 1/8 L=25 MM OT. | 1,00 | | | -- |
| 0010 | MNMN93800 | | PRESSURE GAUGE 1/8 POST. 0-300 D.40 S/ST | 1,00 | | | -- |
| 0011 | RCDS40176 | | ELBOW 1/8" M/F CN. L=24 OT. | 1,00 | | | -- |
| 0012 | GUGO10881 | 00010881 | GASKET M.EL. 73X73 | 2,00 | | | -- |
| 0013 | MPVR40926 | | SPACER PW-C45 CAME H.26.0 ABS | 1,00 | | | -- |
| 0014 | MPVR40953 | | CONTROL BOX PW-C55 7.5Hp/RR ABS BK. | 1,00 | | | -- |
| 0015 | MPVR40908 | | BOX COVER PW-C45 ABS BK. | 1,00 | | | -- |
| 0016 | MPVR23482 | 00023482 | SWITCH TANG TEC. TUV | 1,00 | | | -- |
| 0017 | GUGO25527 | 00025527 | O-RING D. 14 X 3 NBR 70SH | 1,00 | | | -- |
| 0018 | VTRS40008 | | WASHER D. 3.2X 9 X0.8 NYL | 2,00 | | | -- |
| 0019 | MPVR49057 | 00049057 | BLACK KNOB P176-M.RACE PA6 | 1,00 | | | -- |
| 0020 | MPVR40920 | | GREEN COVER PW-C55 PPL V.368C | 1,00 | | | -- |
| 0021 | MPVR40906 | | DOOR PW-C45 PPL BK. | 1,00 | | | -- |
| 0022 | MPVR40921 | | BACK PANEL PW-C55 PP BK. | 1,00 | | | -- |
| 0023 | MPVR40909 | | TOOL HOLDER PW-C45 PP BK. | 1,00 | | | -- |
| 0024 | MPVR40485 | | RUBBER PW-H35 15-20BK. | 1,00 | | | -- |
| 0025 | MPVR40534 | | PIN PW-H35 PP BK. | 2,00 | | | -- |
| 0026 | LAFN40992 | | TROLLEY PW-C55 | 1,00 | | | -- |
| 0027 | MPVR40905 | | FOOT PW-C45 PP BK. | 1,00 | | | -- |
| 0028 | LAFN40991 | | HANDLE PW-C45/55 BK. | 1,00 | | | -- |
| 0029 | MPVR40910 | | HALF BEARING PW-C45 ANT. PP BK. | 1,00 | | | -- |
| 0030 | MPVR40911 | | HALF BEARING PW-C45 PST. PP BK. | 1,00 | | | -- |
| 0031 | MPVR40915 | | TOOL HOLDER PW-C45 HAN.PP BK. | 1,00 | | | -- |
| 0032 | RTRT40019 | | WHEEL D.250-D.20X 58 RES BK. | 2,00 | | | -- |
| 0033 | VTRS28558 | 00028558 | WASHER D.20 | 2,00 | | | -- |
| 0034 | MPVR40734 | | HUB CAP D.50 G-48/IPC GR.368C | 2,00 | | | -- |
| 0035 | MPVR60553 | 00060553 | FOOT GOMMA 20X20 AQ EPDR50 | 2,00 | | | -- |
| 0036 | IPPR40020 | | GRIP G 6000+P.330 +M22 SW.M V | 1,00 | | | -- |
| 0037 | LCPR40087 | | EXTENSION P 70 -P20.IX700 M22 M | 1,00 | | | -- |
| 0038 | UGLN49987 | 00049987 | NOZZLE LECH 1/4 15045 | 1,00 | | | -- |
| 0039 | TBAP25324 | 00025324 | H.P. HOSE R1 MT 10 5/16" C/2 IRV ZC | 1,00 | | | -- |
| 0040 | VTVR40062 | | HANDWHEEL F 8MA THF40 +CAP | 2,00 | | | -- |
| 0041 | VTVR40064 | | PLATE M 5 SP.1.5 BR. | 2,00 | | | -- |
| 0042 | MEVR33994 | 00033994 | CABLE FASTNER 4228 B D. 6- 18 | 1,00 | | | -- |
| 0043 | VTRS00504 | 00000504 | WASHER D. 8 TE ZC. UNI 6592 | 2,00 | | | -- |
| 0044 | VTVT40070 | | SCREW M 8X 50 TTQST UNI 5731 | 2,00 | | | -- |



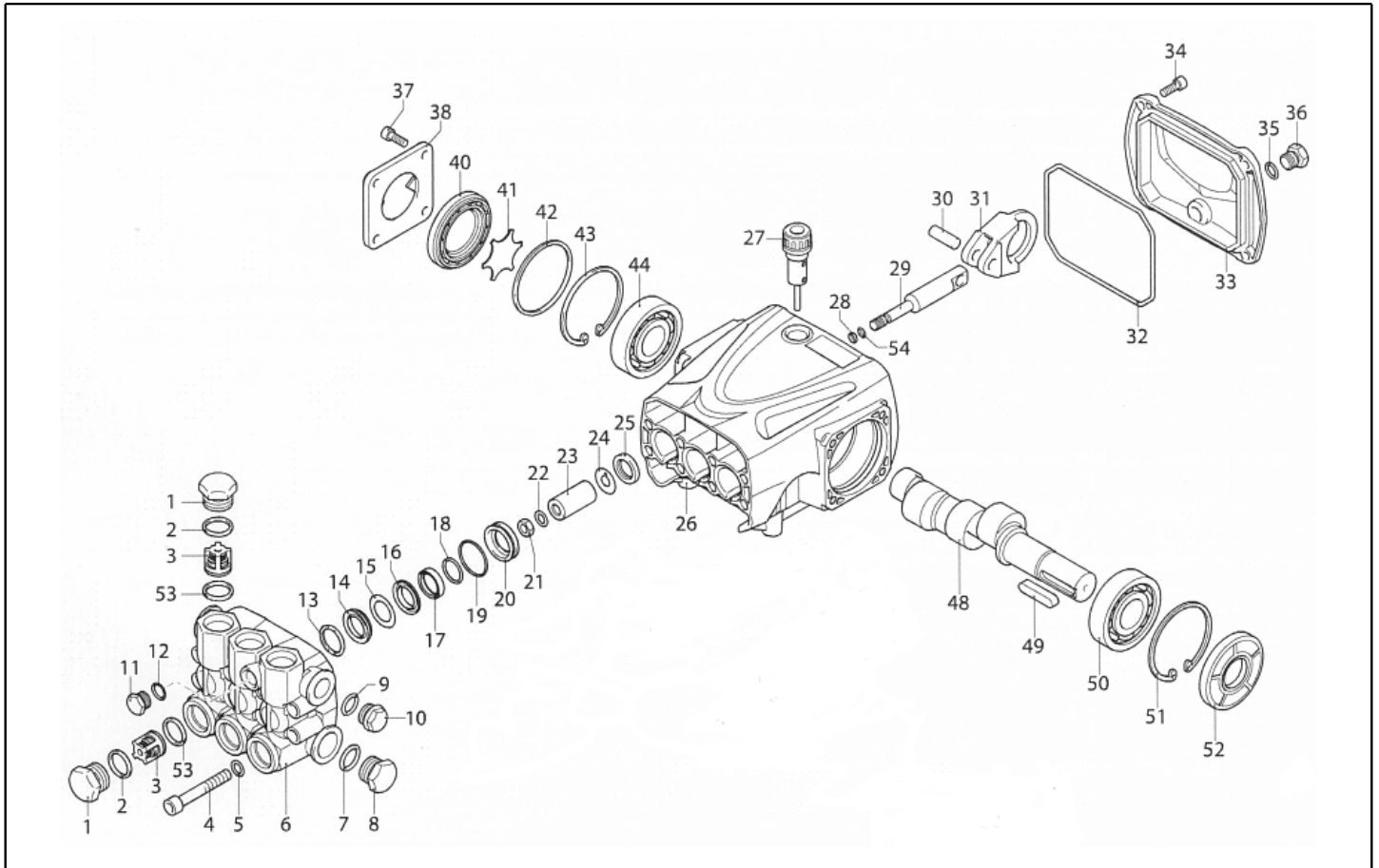
| Ref. K | Part n. | Customer part n. | Description | Quantity | Validity | | Price |
|--------|-----------|------------------|---------------------------------|----------|----------|----|-------|
| | | | | | From | To | |
| 0045 | ETET41262 | | LABEL LED PW-C45 PLC | 1,00 | | | -- |
| 0046 | RCVR29602 | 00029602 | CONNECTOR D. 1/2"-5/8" PTC | 1,00 | | | -- |
| 0047 | PVVR40175 | | CAP AR RR C/F. 1/8F+OR | 2,00 | | | -- |
| 0048 | MPVR01696 | 00001696 | PROD D.25 1.02.107 | 2,00 | | | -- |
| 0049 | RCDS40172 | | SCREW 3/8 VRF-2 OT 4F. | 1,00 | | | -- |
| 0050 | VTRS00548 | 00000548 | WASHER D.17,5X23X1,5 (3/8)RM | 1,00 | | | -- |
| 0051 | GUGO03510 | 00003510 | O-RING D. 12.37 X 2.62 NBR 70SH | 2,00 | | | -- |
| 0052 | RCDS40171 | | SCREW G 1/2 VRF-2 OT. 2F. | 1,00 | | | -- |
| 0053 | VTRS00549 | 00000549 | WASHER D.21,5X27X1,5 (1/2) RM | 1,00 | | | -- |
| 0054 | GUGO01048 | 00001048 | O-RING D. 15.88 X 2.62 NBR 70SH | 2,00 | | | -- |
| 0055 | LAFN40838 | | BRACKET PW-H100 ZC. | 1,00 | | | -- |
| 0056 | GUGO21337 | 00021337 | O-RING D. 25.07 X 2.62 VIT 70SH | 1,00 | | | -- |
| 0057 | RCDS25578 | 00025578 | BUSHING IP WW141 OT. | 1,00 | | | -- |
| 0058 | GUGO21339 | 00021339 | O-RING D. 29.82 X 2.62 VIT 70SH | 1,00 | | | -- |
| 0059 | MFVR21309 | 00021309 | COUNTERFLANGE MEC 90-100-112 | 1,00 | | | -- |
| 0060 | RCDS40281 | | CONNECTOR L=120 2X1/8M CN. IX. | 1,00 | | | -- |
| 0061 | RCVR09058 | 00009058 | CAP 1/4 M EI D. 8 NK. | 1,00 | | | -- |



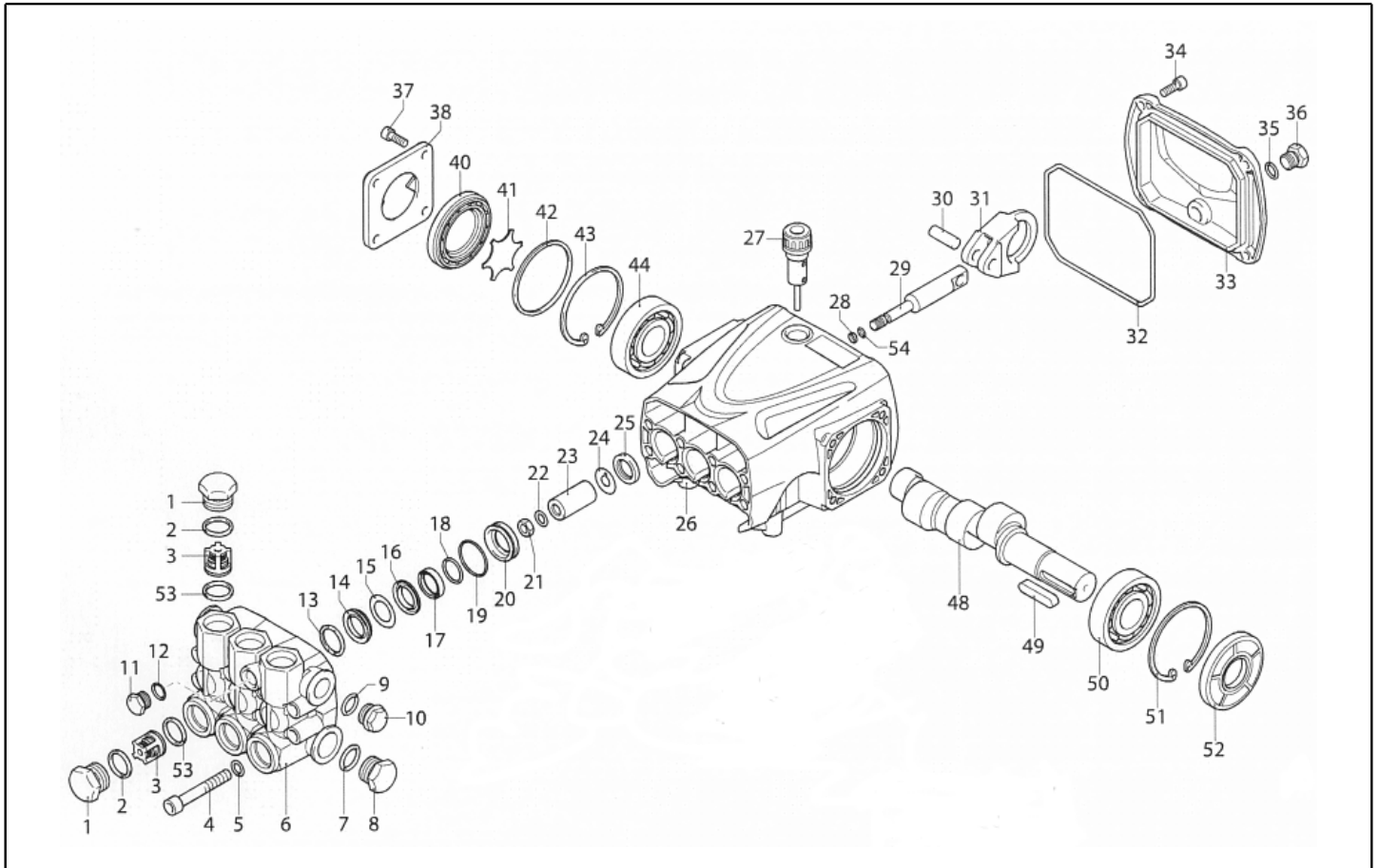
| Ref. K | Part n. | Customer part n. | Description | Quantity | Validity | | Price |
|--------|-----------|------------------|---|----------|----------|----|-------|
| | | | | | From | To | |
| K | METT40023 | | CONTACTOR SIE 3RT 2026-1AL20 230V | 1,00 | | | -- |
| IG | MECI40020 | | SWITCH BRM BP. 0-1 12A | 1,00 | | | -- |
| P1 | MEPF39741 | 00039741 | PRESSURE SWITCH MTM 1/8M NA/NC 25B. MICRO | 1,00 | | | -- |
| P2 | MEPF39902 | 00039902 | PRESSURE SWITCH MTM 1/4M NA/NC 25B. MICRO | 1,00 | | | -- |
| TM | METY40022 | | TIMER THV/1Eco. 220-5/60 30S. | 1,00 | | | -- |
| CV1 | MECB89888 | | CABLE H07 RNF 4X2.5 L=6.500 | 1,00 | | | -- |



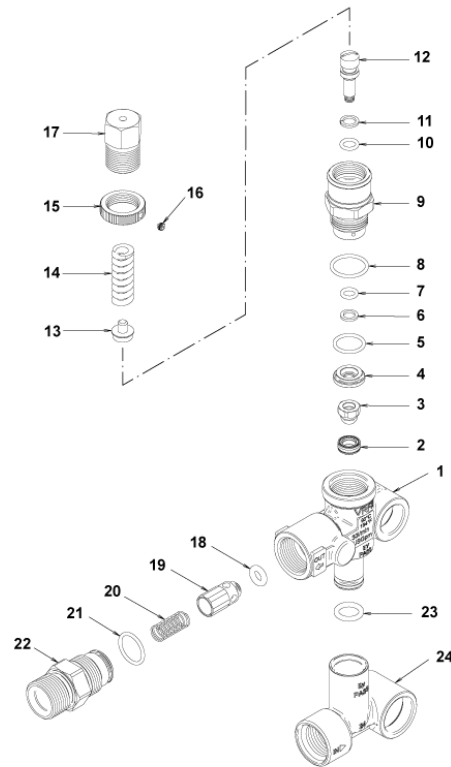
| Ref. K | Part n. | Customer part n. | Description | Quantity | Validity | | Price |
|--------|-------------|------------------|----------------------------------|----------|----------|----|-------|
| | | | | | From | To | |
| 0001 | PVVR40161 | | CAP AR RR | 6,00 | | | -- |
| 0002 | GUGO03502 | 00003502 | O-RING D. 17.86 X 2.62 NBR 70SH | 6,00 | | | -- |
| 0003 | S VVAM40003 | | VALVE UNIT RR | 6,00 | | | -- |
| 0004 | VTVT63018 | | SCREW TCEI M 8X55 ZC U.5931 | 8,00 | | | -- |
| 0005 | VTRS14242 | 00014242 | WASHER D. 8.4X13X0.8 UNI7064 SCH | 8,00 | | | -- |
| 0006 | MFVR40028 | | HEAD AR RR OT. | 1,00 | | | -- |
| 0007 | GUGO19245 | 00019245 | O-RING D. 17.5 X 2 NBR 70SH | 1,00 | | | -- |
| 0008 | PVVR40121 | | CAP 1/2 M RC | 1,00 | | | -- |
| 0009 | GUGO09720 | 00009720 | O-RING D. 14 X 1.78 NBR 70SH | 1,00 | | | -- |
| 0010 | PVVR40099 | | CAP 3/8 M HRM | 1,00 | | | -- |
| 0011 | PVVR40129 | | CAP 1/4 M RC | 1,00 | | | -- |
| 0012 | GUGO01036 | 00001036 | O-RING D. 10.82 X 1.78 NBR 70SH | 1,00 | | | -- |
| 0013 | S PVVR40122 | | HEAD RING D. 18 RC | 3,00 | | | -- |
| 0014 | S GUVR40035 | | PACKING D. 18 RC H.P. | 3,00 | | | -- |
| 0015 | S GUVR40043 | | ANTI-EXTR.RING D.18X28 | 3,00 | | | -- |
| 0016 | S PVVR40162 | | INTERMED. RING D. 18 RR | 3,00 | | | -- |
| 0017 | S GUVR40036 | | PACKING D. 18 RC L.P. | 3,00 | | | -- |
| 0018 | S GUVR40037 | | ANTI-EXTR.RING D.21 | 3,00 | | | -- |
| 0019 | S GUGO19290 | 00019290 | O-RING D. 23.52 X 1.78 NBR 70SH | 3,00 | | | -- |
| 0020 | S PVVR40163 | | PACKING RETAIN. D. 18 RR | 3,00 | | | -- |
| 0021 | VTDD00483 | 00000483 | NUT M 8 ZIN UNI 5588 | 3,00 | | | -- |
| 0022 | VTRS19394 | 00019394 | WASHER D. 8X13X0.5 | 3,00 | | | -- |
| 0023 | S PIVR40007 | | PISTON D.18 RR | 3,00 | | | -- |
| 0024 | PVVR19233 | 00019233 | DISC XTS | 3,00 | | | -- |
| 0025 | S GUGO09690 | 00009690 | OIL SEAL 15X 24X 5 NBR70 | 3,00 | | | -- |
| 0026 | MFVR40030 | | PUMP CRANKCASE AR RR | 1,00 | | | -- |
| 0027 | PVVR19231 | 00019231 | OIL CAP XTS | 1,00 | | | -- |
| 0028 | GUGO08071 | 00008071 | O-RING D. 4.48 X 1.78 NBR 70SH | 3,00 | | | -- |
| 0029 | PVVR40176 | | PISTON GUIDE RR | 3,00 | | | -- |
| 0030 | PVVR40178 | | GUDGEON D. 9 RR | 3,00 | | | -- |
| 0031 | BLVR40002 | | CONNECTING ROD RR | 3,00 | | | -- |
| 0032 | GUGO40017 | | O-RING D. 107.62 X 2.62 NBR 70SH | 1,00 | | | -- |
| 0033 | MFVR40029 | | CRANKCASE COVER AR RR | 1,00 | | | -- |
| 0034 | VTVT09913 | 00009913 | SCREW TCEI 6X16 UNI5931 | 4,00 | | | -- |
| 0035 | GUGO01036 | 00001036 | O-RING D. 10.82 X 1.78 NBR 70SH | 1,00 | | | -- |
| 0036 | PVVR40129 | | CAP 1/4 M RC | 1,00 | | | -- |
| 0037 | VTVT09913 | 00009913 | SCREW TCEI 6X16 UNI5931 | 4,00 | | | -- |
| 0038 | MFVR40021 | | CRANKCASE COVER AR RC LT. | 1,00 | | | -- |
| 0040 | PVVR40179 | | OIL INDICATOR RR | 1,00 | | | -- |
| 0041 | PVVR40125 | | DISC RC | 1,00 | | | -- |
| 0042 | GUGO09030 | 00009030 | O-RING 56X82 X2.62 - NBR | 1,00 | | | -- |
| 0043 | VTAE10405 | 00010405 | CIRCLIP D. 62 UNI 7437 | 1,00 | | | -- |
| 0044 | CUVR09654 | 00009654 | BALL BEARING 6305 | 1,00 | | | -- |
| 0048 | ALMO40012 | | SHAFT AR RR 15LT VRS. N | 1,00 | | | -- |



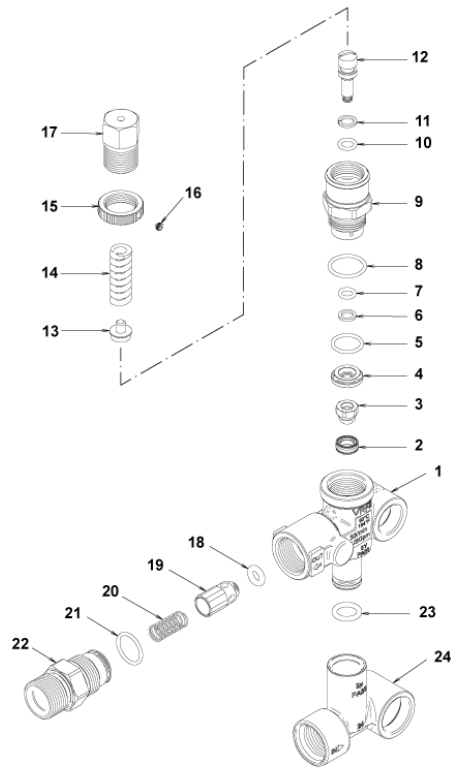
| Ref. K | Part n. | Customer part n. | Description | Quantity | Validity | | Price |
|--------|-------------|------------------|---------------------------------|----------|----------|----|-------|
| | | | | | From | To | |
| 0049 | VTVR41531 | 00041531 | KEY 8X 7X35 UNI 6604A | 1,00 | | | -- |
| 0050 | CUVR09654 | 00009654 | BALL BEARING 6305 | 1,00 | | | -- |
| 0051 | VTAE10405 | 00010405 | CIRCLIP D. 62 UNI 7437 | 1,00 | | | -- |
| 0052 | S GUGO40018 | | OIL SEAL 25X 62X 8 NBR70 | 1,00 | | | -- |
| 0053 | S GUGO02259 | 00002259 | O-RING D. 15.54 X 2.62 NBR 70SH | 6,00 | | | -- |
| 0054 | GUVR40044 | | ANTI-EXTR.RING D. 5 X 8 X1 | 3,00 | | | -- |



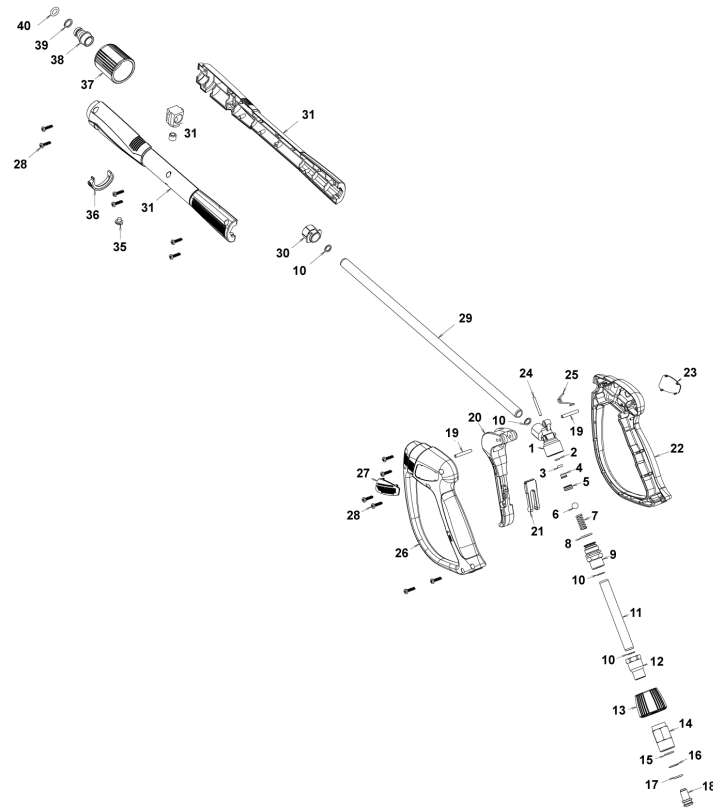
| Ref. Part n. | Cust. part n. | Description | Reference | Price |
|--------------|---------------|------------------------|--------------------------|-------|
| KTRI40142 | | KIT P 15-42909 RR | 0003 0053 | -- |
| KTRI40143 | | KIT P 15-42904 D.18 RR | 0023 | -- |
| KTRI40144 | | KIT P 15-42922 RR | 0025 0052 | -- |
| KTRI40145 | | KIT P 15-42924 D.18 RR | 0014 0015 0017 0018 0019 | -- |
| KTRI40095 | | KIT P 15-42903 D.18 RC | 0013 | -- |
| KTRI40146 | | KIT P 15-42923 D.18 RR | 0016 0020 | -- |



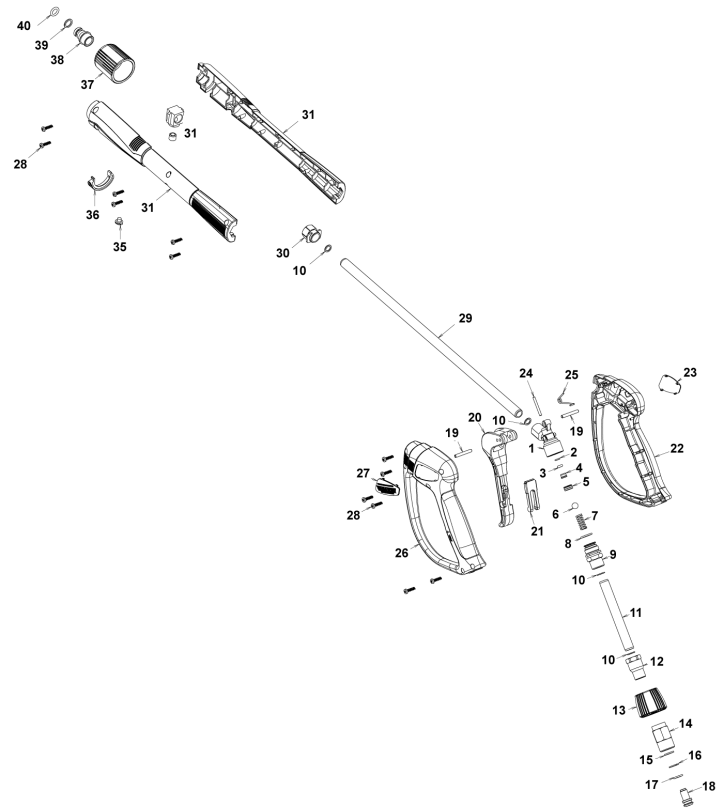
| Ref. K | Part n. | Customer part n. | Description | Quantity | Validity | | Price |
|--------|-------------|------------------|-----------------------------------|----------|----------|----|-------|
| | | | | | From | To | |
| 0001 | PVVR40375 | | VALVE BODY VRF2 +G1/8 F | 1,00 | | | -- |
| 0002 | S PVVR40363 | | VALVE SEAT MV124 +OR | 1,00 | | | -- |
| 0003 | S PVVR40364 | | COUPLING MV124 | 1,00 | | | -- |
| 0004 | S PVVR40365 | | SPACER MV124 | 1,00 | | | -- |
| 0005 | S GUGO12322 | 00012322 | O-RING D. 14 X 1.78 NBR 90SH | 1,00 | | | -- |
| 0006 | S GUVR40072 | | ANTI-EXTR.RING D. 6.5X 9.4 | 1,00 | | | -- |
| 0007 | S GUGO83861 | | O-RING D. 6.07 X 1.78 NBR 90SH | 1,00 | | | -- |
| 0008 | S GUGO24913 | 00024913 | O-RING D. 17.17 X 1.78 NBR 90SH | 1,00 | | | -- |
| 0009 | S PVVR40366 | | CONNECTOR VRF2 D.10 | 1,00 | | | -- |
| 0010 | S GUGO03500 | 00003500 | O-RING D. 6.75 X 1.78 NBR 70SH | 1,00 | | | -- |
| 0011 | S GUVR40073 | | ANTI-EXTR.RING D. 7.1X10 X1.2 TBT | 1,00 | | | -- |
| 0012 | S PVVR40367 | | SMALL PISTON D.10 VRF2 | 1,00 | | | -- |
| 0013 | PVVR40368 | | SPRING PLATE MV124 25B | 1,00 | | | -- |
| 0014 | MLML40027 | | SPRING D. 3.0/6.0 X38.85 | 1,00 | | | -- |
| 0015 | PVVR40369 | | RING NUT MV167.09 | 1,00 | | | -- |
| 0016 | VTVT89696 | | SCREW EI-ST 4X 4 UNI5927 ZC | 1,00 | | | -- |
| 0017 | PVVR40370 | | CAP VRF2 M18X1 | 1,00 | | | -- |
| 0018 | S GUGO46053 | 00046053 | O-RING D. 6 X 3 NBR 90SH | 1,00 | | | -- |
| 0019 | S PVVR40349 | | COUPLING VRT3 | 1,00 | | | -- |
| 0020 | S MLML40026 | | SPRING VRT3 | 1,00 | | | -- |
| 0021 | S GUGO12321 | 00012321 | O-RING D. 15.6 X 1.78 NBR 90SH | 1,00 | | | -- |
| 0022 | PVVR40374 | | CONNECTOR VRT3 M22 M | 1,00 | | | -- |
| 0023 | S GUGO11225 | 00011225 | O-RING D. 10.78 X 2.62 NBR 70SH | 1,00 | | | -- |
| 0024 | PVVR40373 | | CONNECTOR VRF2.24 | 1,00 | | | -- |



| Ref. Part n. | Cust. part n. | Description | Reference | Price |
|--------------|---------------|------------------------|---|-------|
| KTRI40236 | | KIT P 14-103 VRF2 | 0002 0003 0004 0005 0006 0007 0008 0009 0010 0011 0012 0018 0019 0020 0021 | -- |
| KTRI40237 | | KIT P 14-104 SEAL VRF2 | 0002 0003 0005 0006 0007 0008 0010 0011 0018 0021 | -- |



| Ref. K | Part n. | Customer part n. | Description | Quantity | Validity | | Price |
|--------|-------------|------------------|---------------------------------|----------|----------|----|-------|
| | | | | | From | To | |
| 0001 | PVVR40381 | | GUN BODY G 5100 G1/4F | 1,00 | | | -- |
| 0002 | S GUVR40074 | | ANTI-EXTR.RING D. 3 X 7.4X1.3 | 1,00 | | | -- |
| 0003 | S GUGO21835 | 00021835 | O-RING D. 2.84 X 2.62 VIT. 80SH | 1,00 | | | -- |
| 0004 | PVVR40382 | | PISTON GUIDE G 5100 | 1,00 | | | -- |
| 0005 | S PVVR40112 | | BALL SEAT G 5000 | 1,00 | | | -- |
| 0006 | S SFVR40002 | | BALL D.11/32" ALL GR16 | 1,00 | | | -- |
| 0007 | MLML40016 | | SPRING D. 9.4 x21.5x1.6 G5000 | 1,00 | | | -- |
| 0008 | GUGO12322 | 00012322 | O-RING D. 14 X 1.78 NBR 90SH | 1,00 | | | -- |
| 0009 | PVVR40383 | | CONNECTOR COLL.G5100 1/4F | 1,00 | | | -- |
| 0010 | VTRS40017 | | WASHER D. 8.2X11,4X1.00 | 4,00 | | | -- |
| 0011 | PVVR40384 | | TUBE G 1/4" L.105 | 1,00 | | | -- |
| 0012 | RCIN40022 | | CONNECTOR SWIV G5100 1/4F | 1,00 | | | -- |
| 0013 | MPVR40819 | | RING NUT G 5100 SW. BK. | 1,00 | | | -- |
| 0014 | RCIN40021 | | JOINT SWIV 5100 M22 | 1,00 | | | -- |
| 0015 | S GUVR40075 | | ANTI-EXTR.RING D. 10 X14X1.5 | 1,00 | | | -- |
| 0016 | S GUVR40076 | | ANTI-EXTR.RING D. 11.2X14X1.2 | 1,00 | | | -- |
| 0017 | S GUGO15295 | 00015295 | O-RING D. 10.82 X 1.78 VIT 75SH | 1,00 | | | -- |
| 0018 | PVVR40386 | | SCREW SW. G 5100 | 1,00 | | | -- |
| 0019 | VTVR40047 | | PLUG D. 4X29 | 2,00 | | | -- |
| 0020 | MPVR40820 | | TRIGGER G 6000-SW | 1,00 | | | -- |
| 0021 | MPVR40821 | | SAFETY-DEVICE G 6000-SW | 1,00 | | | -- |
| 0022 | MPVR40822 | | SHELL G 6000-SW DX | 1,00 | | | -- |
| 0023 | MPVR40823 | | PLATE G 6000 GR.DX | 1,00 | | | -- |
| 0024 | PVVR40387 | | SMALL PISTON G 5100 | 1,00 | | | -- |
| 0025 | MLML40029 | | SPRING G 5100 | 1,00 | | | -- |
| 0026 | MPVR40824 | | SHELL G 6000-SW SX | 1,00 | | | -- |
| 0027 | MPVR40825 | | PLATE G 6000 GR.SX | 1,00 | | | -- |
| 0028 | VTVT40043 | | SCREW AF 4X 14 HILO ZN.N | 12,00 | | | -- |
| 0029 | LCPR40086 | | TUBE 1/4 L=420 ZC. 0° | 1,00 | | | -- |
| 0030 | MPVR40493 | | CONNECTOR G 5100-SW | 1,00 | | | -- |
| 0031 | MPVR40494 | | PROTECTION P 420 C/AN. | 1,00 | | | -- |
| 0035 | MPVR40198 | | CAP G 5000 | 1,00 | | | -- |
| 0036 | MPVR40495 | | CAP G 5100 REM. | 1,00 | | | -- |
| 0037 | PVVR40119 | | CONNECTION M22X1,5 IRV G5000 | 1,00 | | | -- |
| 0038 | RCIN40009 | | GUDGEON G 1/4 F IRV G5000 | 1,00 | | | -- |
| 0039 | GUVR40034 | | ANTI-EXTR.RING D. 10 X14 | 1,00 | | | -- |
| 0040 | GUGO01946 | 00001946 | O-RING D. 9.13 X 2.62 VIT 70SH | 1,00 | | | -- |



| Ref. Part n. | Cust. part n. | Description | Reference | Price |
|--------------|---------------|----------------------------|---------------------|-------|
| KTRI40243 | | KIT P 26- 26 SWIVEL G 5100 | 0015 0016 0017 | -- |
| KTRI40414 | | KIT P 26- 34 G 6000 | 0002 0003 0005 0006 | -- |