

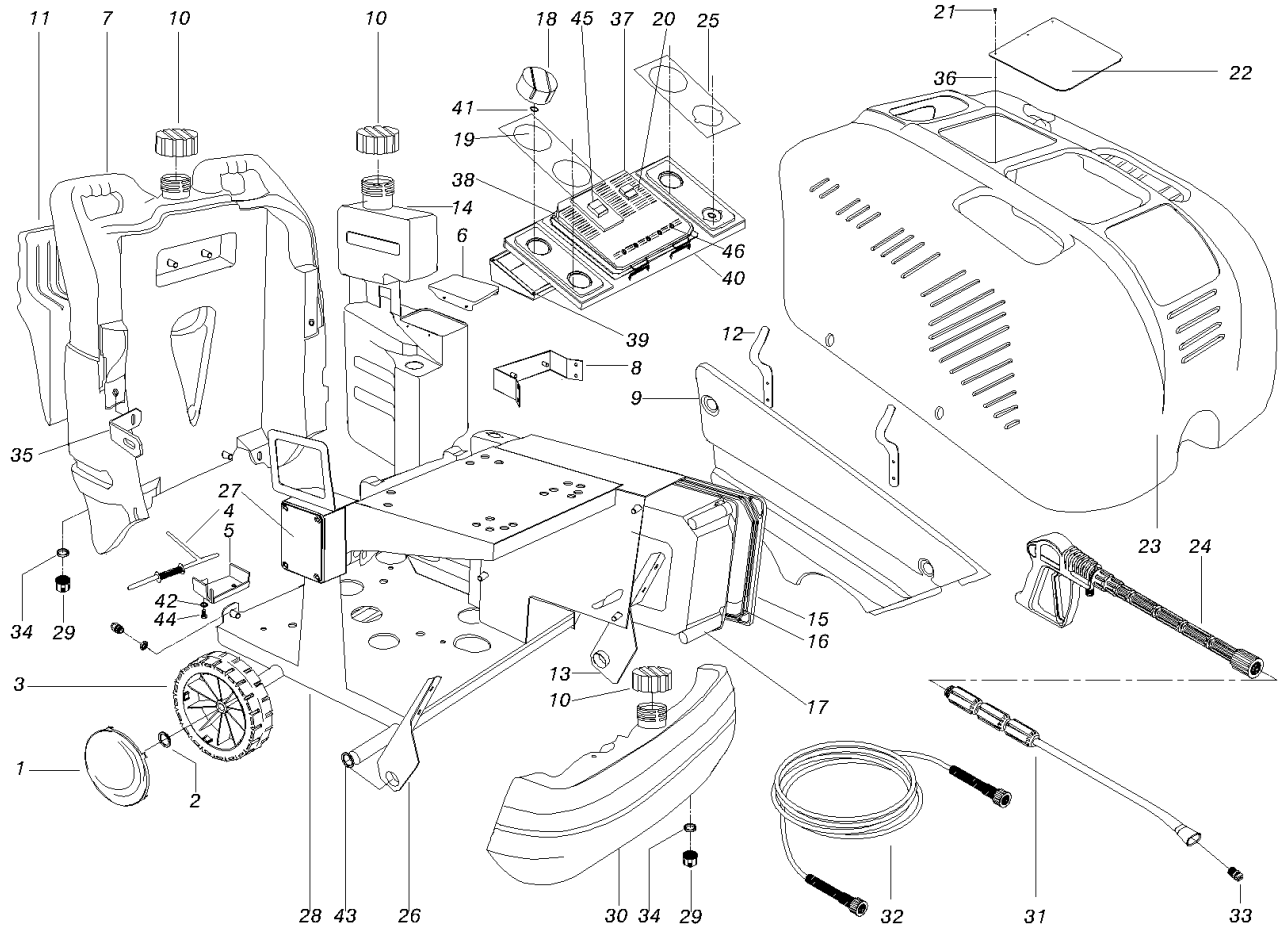


# **Spare Parts List**

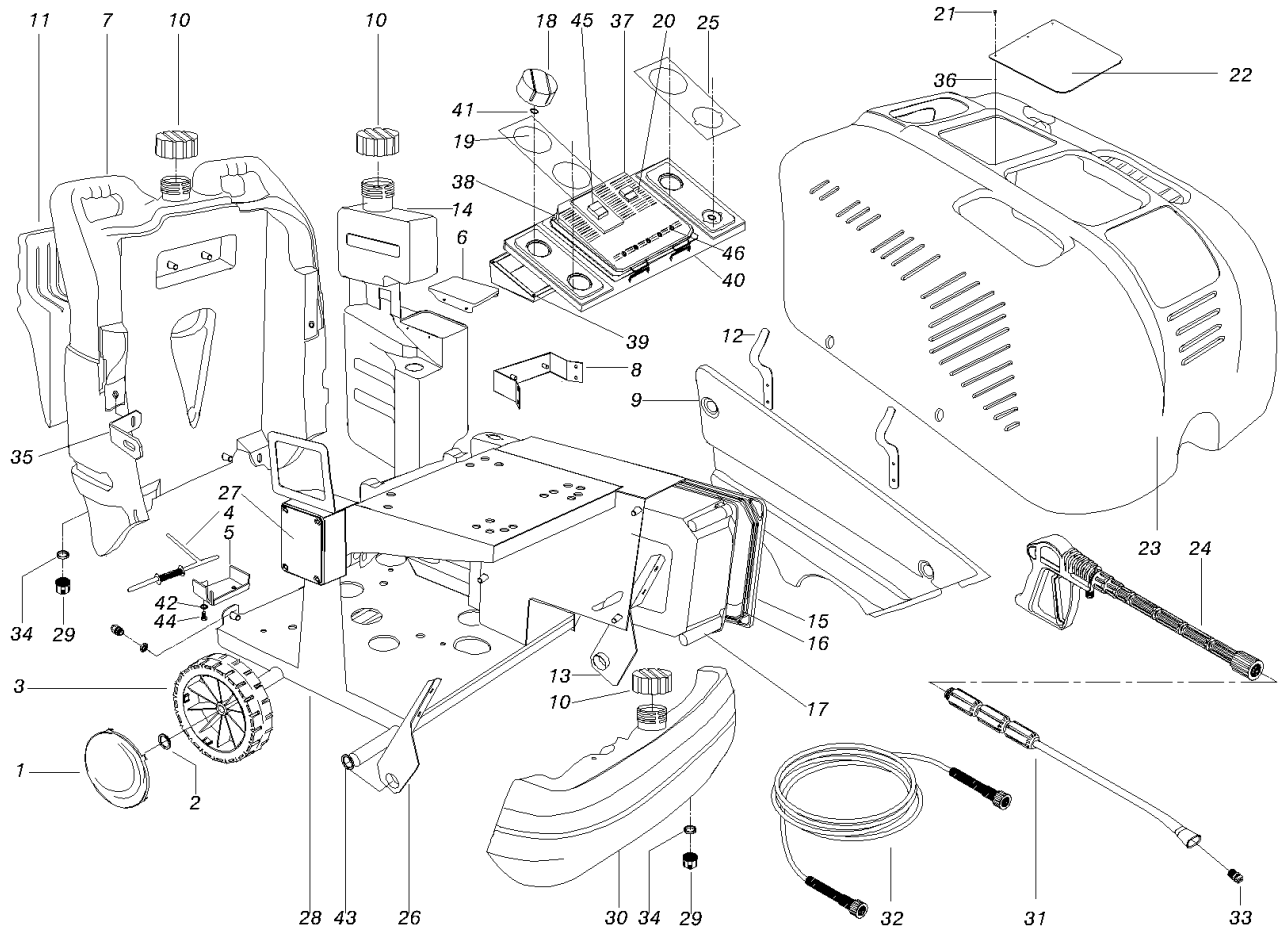
**FOMA NORGE AS**

**Ref: IDAC74509**

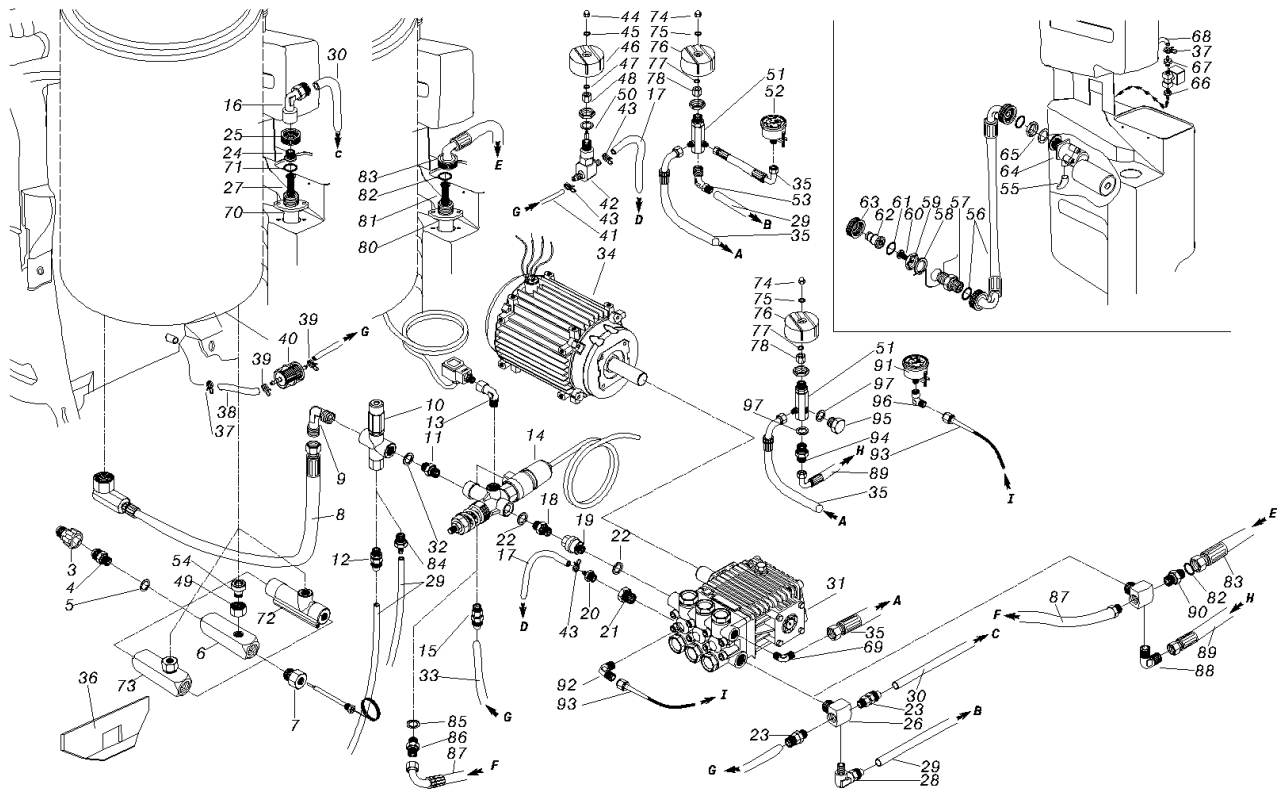
**Model: IDROP MB 121 TST M 12.100 230/50 3-01SIR**



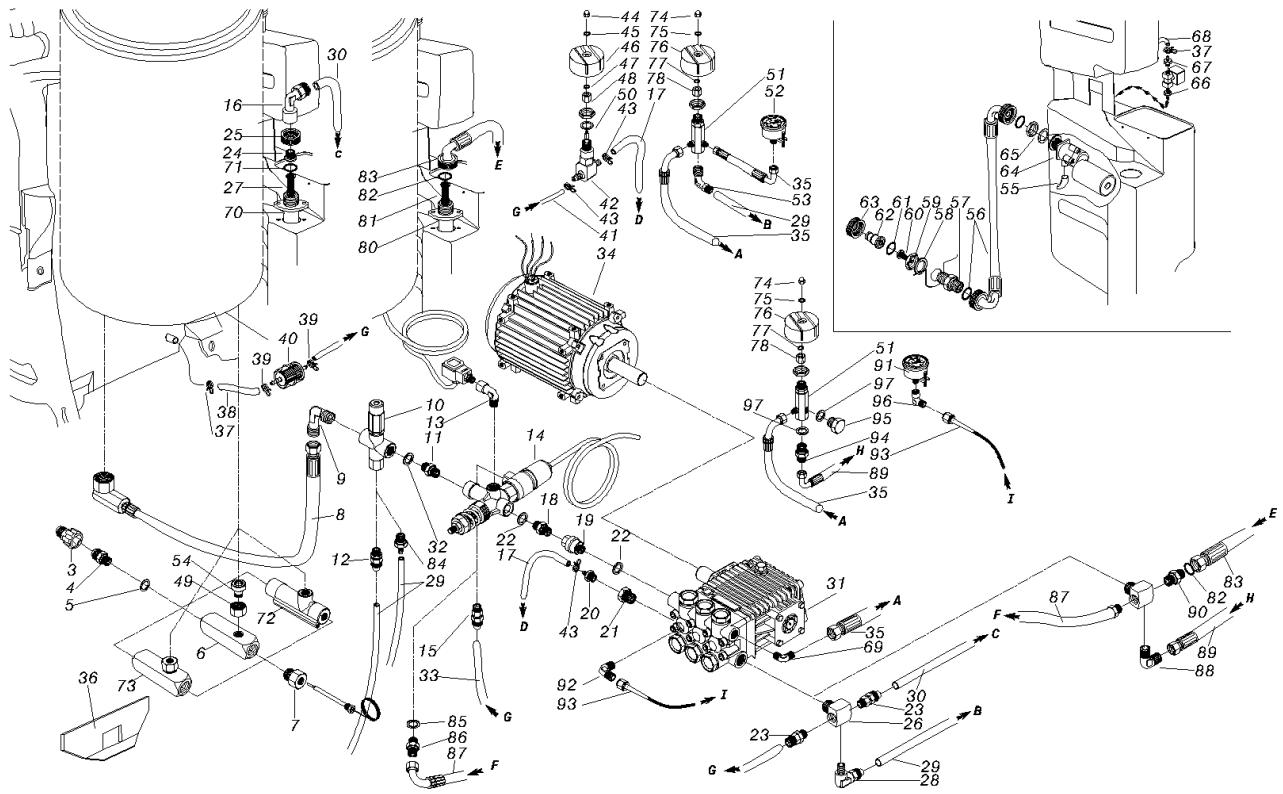
Ref. K	Part N.	Customer Part N.	Description	Qty	Validity:		Price
					From	To	
0001	MPVR86255		HUB CAP D.210 ROSS	4,00			--
0002	VTAE76173		SEEGER ZA D. 20	4,00		01/2003	--
0002	VTRS28558		WASHER D.20	4,00	01/2003		--
0003	RTRT86254		STIFF WHEEL 210x70	4,00			--
0004	LAFN73539		LEVER M.BALL	1,00			--
0005	LAFN73553		BRACKET SK-MB	1,00			--
0006	MPVR77564		COVER	1,00			--
0007	MPVR72481		TANK MATCH-BALL	1,00			--
0008	LAFN73538		BRACKET	1,00		12/2005	--
0009	MPVR74123		SIDE DX MATCH-BALL	1,00			--
0009	MPVR74124		SIDE SX MATCH-BALL	1,00			--
0010	MPVR86204		TANK CAP ROSS	3,00			--
0011	MPVR74111		WALLKIT	1,00			--
0012	MLML74502		SPRING	4,00			--
0013	LAFN73534		BRACKET MB	1,00			--
0014	MPVR85549		WATER TANK C/F D.22	1,00			--
0015	MEVR71753		COVER NICO	1,00			--
0016	GUVR71755		GASKET QUADRO EL.SK	1,00			--
0017	MEVR71752		BOX NICO	1,00			--
0018	MPVR40301		THERMOST.KNOB	1,00			--
0019	ETET74300		ADHESIVE	1,00			--
0020	GUGO72935		GASKET	1,00			--
0020	MPVR71531		CONTROL COVER	1,00		06/2003	--
0021	MPVR74151		PLUG	3,00			--
0022	MPVR74149		PROTECTION COMANDI MB-SR	1,00			--
0023	MPVR74129		COVER MATCH-BALL	1,00			--
0024	IPPR86137		GRIP ST 2300 - P 330 - M3/8 M	1,00			--
0025	ETET47911		LABEL PRESSURE GAUGE	1,00		02/2003	--
0025	ETET74301		ADHESIVE	1,00	02/2003		--
0026	LAFN73536		BRACKET MB	1,00			--
0027	MEVR71533		BOX 120X80X50	1,00			--
0028	LAFN73531		FRAME	1,00			--
0029	RCDS72851		CAP 1/2" F NYL	1,00			--
0030	MPVR85555		FUEL TANK C/F D.22 MB	1,00		04/2005	--
0030	MPVR88963		FUEL TANK MB C/F G.1/2	1,00	05/2005		--
0031	LCPR75244		PIN cm.50	1,00			--
0032	TBAP75156		H.P. HOSE 5/16" R1T mt.10 - 70091	1,00			--
0033	UGLN03327		NOZZLE 1/4 25045	1,00		04/2006	--
0033	UGLN49992		NOZZLE LECH 1/4 25045	1,00	04/2006		--



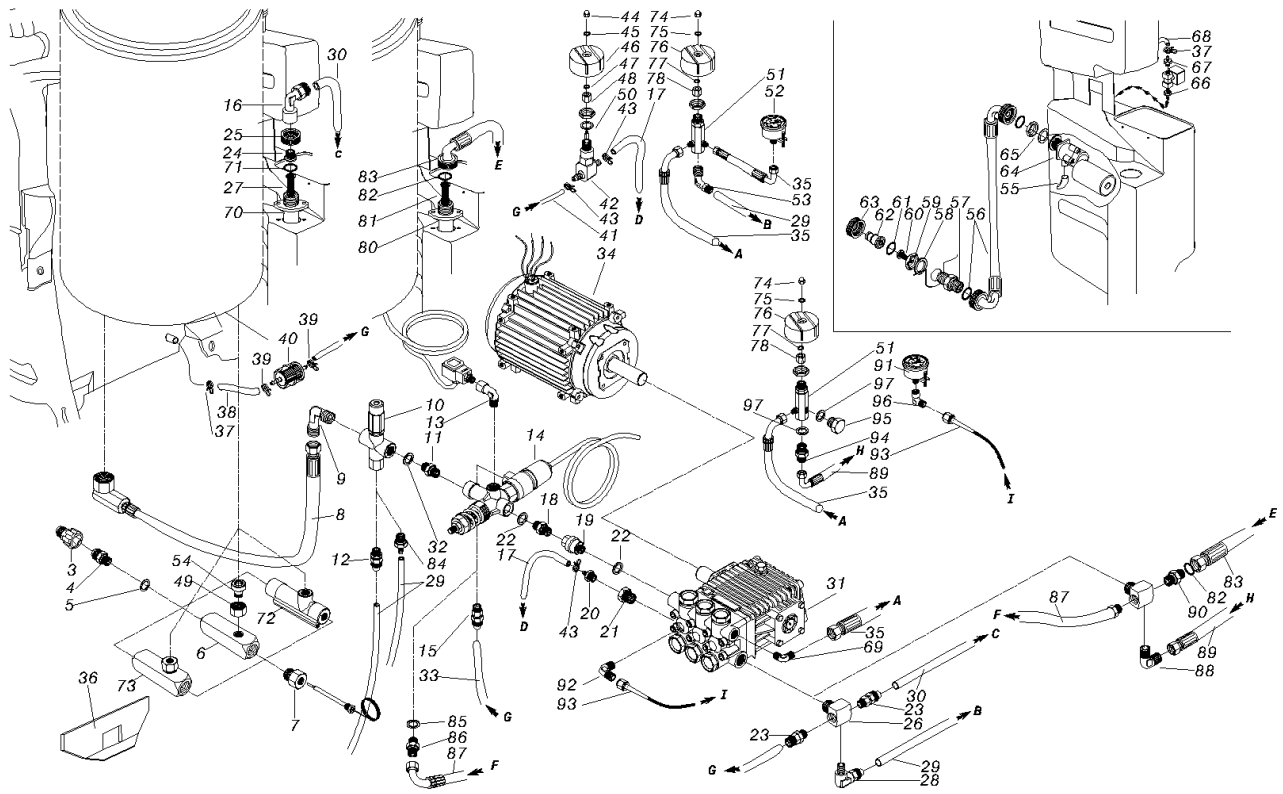
Ref. K	Part N.	Customer Part N.	Description	Qty	Validity:		Price
					From	To	
0034	GUGO72925		GASKET D. 20X7X2 NBR	2,00			--
0035	LAFN73533		BRACKET	2,00			--
0036	VTAE76174		SEEGER ZA 6	3,00			--
0037	MPVR71757		BOX COVER	1,00			--
0038	GUVR71766		GASKET MATCH-B.	1,00			--
0039	MEVR71759		COVER	1,00			--
0040	MPVR71756		BOX	1,00			--
0041	VTAE74500		CIRCLIP THR.	1,00			--
0042	VTRS01079		WASHER D. 6 GROWER	2,00			--
0043	VTRS00509		WASHER D.20 PIANA Z. UNI6592	2,00			--
0044	VTVT13693		SCREW TE 6X30 SW.FORM	2,00			--
0045	MEVR71530		MAMBRANE WMX CP.	1,00			--
0046	GUGO03496		O-RING D. 9.25 X 1.78 NBR 70SH	3,00			--



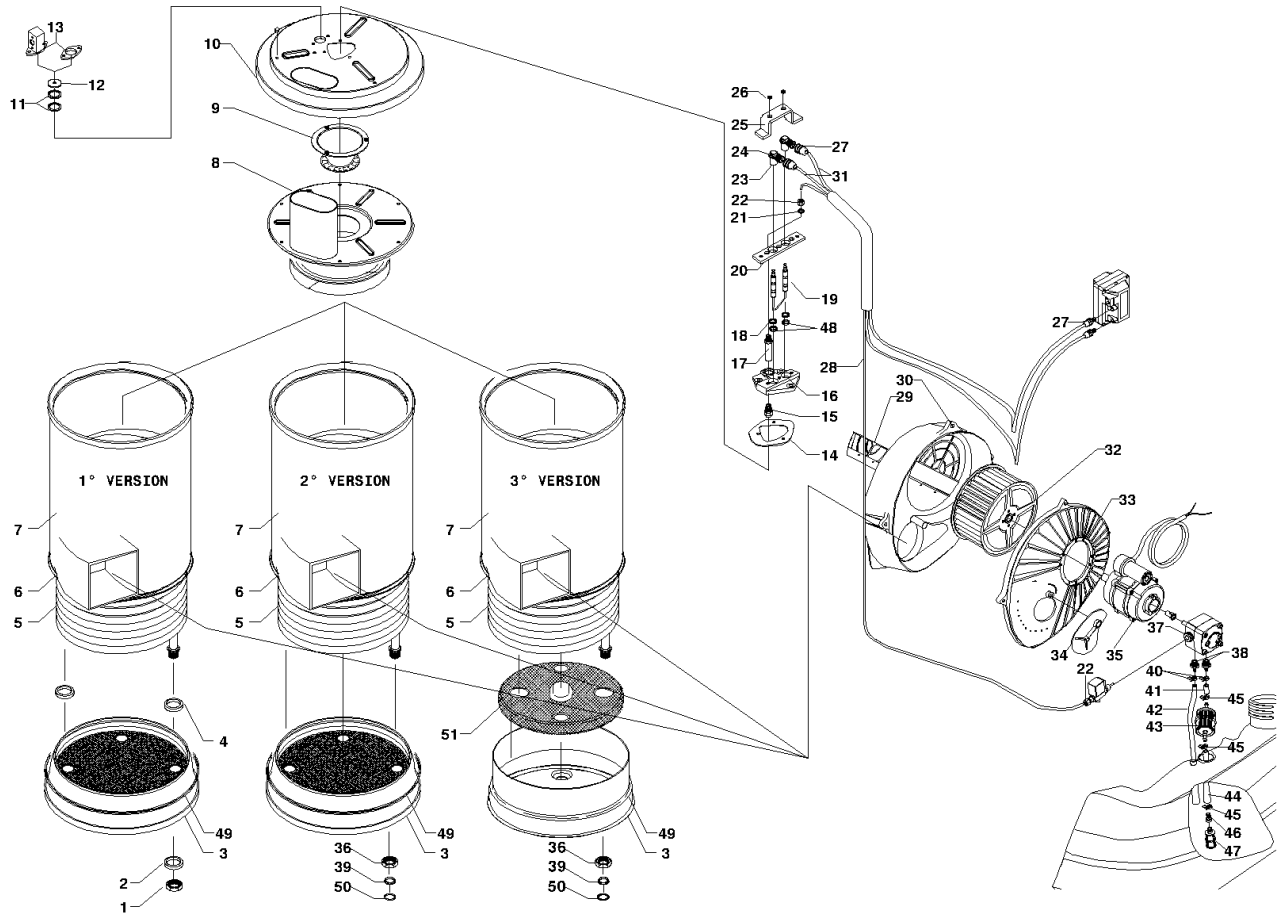
Ref.	K	Part N.	Customer Part N.	Description	Qty	Validity:		Price
						From	To	
0003		RCIN72805		SCREW CLUTCH F 3/8 M	1,00			--
0004		RCIN73013		SCREW CLUTCH M 3/8M	1,00	03/2003		--
0005		VTRS00548		WASHER D.17,5X22X1,5 (3/8)RM	1,00			--
0006		RCDS48603		BLOCK 3VIE 3/8-1/2F 1/4F ZC	1,00	03/2003		--
0007		RCDS76224		BULB HOLDER	1,00	03/2003		--
0008		TBAP48604		HOSE-FITTING 5/16 R2 L=700 3/8F0°-PM26	1,00	03/2003		--
0008		TBAP72744		H.P. HOSE 5/16" R2AT lg.700	1,00		03/2003	--
0009		RCVR40590		ELBOW 3/8" M A.P. OT.MTM	1,00			--
0010		VVSC40541		VALVE VS 220 2 G3/8 F	1,00			--
0011		RCDS12121		NIPPLE 3/8 - 3/8 SV/CN	1,00			--
0013		RCVR62670		ELBOW 1/4" M/F A.P. OT.MTM	1,00	02/2003		--
0013		RCVR72809		ELBOW 1/4" M/F A.P. OT.MTM	1,00		02/2003	--
0014		VVAZ40591		VALVE VB 9 2 3/8F + SWITCH	1,00			--
0015		RCIN40593		CONNECTOR DTT 3/8" M C1 D.12/10 NIK	1,00	05/2004	07/2004	--
0016		RCVR72831		CONNECTOR 90-3/8F D.12-10(1493)	1,00		07/2004	--
0017		TBBP85832		L.P. HOSE D. 5- 8	0,36			--
0018		RCDS00610		NIPPLE 3/8 - 3/8 SV	1,00			--
0019		RCVR00563		SWIVEL RACCORD 3/8 M/F	1,00			--
0020		RCDS72815		HOSE FITTING M1/4 D.6	1,00			--
0021		RCVR02606		REDUCTION 1/2-1/4 M/F	1,00			--
0022		VTRS00548		WASHER D.17,5X22X1,5 (3/8)RM	1,00			--
0023		RCIN40593		CONNECTOR DTT 3/8" M C1 D.12/10 NIK	1,00		05/2004	--
0023		RCIN40585		CONNECTOR DTT 3/8" M C1 D. 6/8 NIK	1,00		07/2004	--
0023		RCIN40593		CONNECTOR DTT 3/8" M C1 D.12/10 NIK	2,00		05/2004	--
0024		RCDS72882		CONNECTOR	1,00		07/2004	--
0025		RCVR48395		CONNECTION G. 3/4 ZGR.	1,00	12/2002	07/2004	--
0026		RCDS72826		CONNECTOR 4V. 1/2G -2X3/8G -1/4G	1,00			--
0027		FTAC30214		FILTER D.15X67	1,00		07/2004	--
0028		RCIN26496		CONNECTOR L 1/4" M C5 D. 6/ 8 NIK	1,00	02/2003	07/2004	--
0029		TBBP15347		L.P. HOSE D. 6- 8 RILSAN NT.	1,10		07/2004	--
0029		TBBP40594		L.P. HOSE D.10-12 RILSAN	0,30		05/2004	--
0030		TBBP40594		L.P. HOSE D.10-12 RILSAN	0,27		07/2004	--
0031		PPAP40637		PUMP "44" W 112 SX +FL."B"	1,00			--
0032		VTRS00548		WASHER D.17,5X22X1,5 (3/8)RM	1,00			--
0033		TBBP04917		L.P. HOSE D. 6- 9	0,60	07/2004		--
0034		MOMO71474		ELECTRIC ENGINEHP3 230/50M AP-A.S.-MB	1,00			--
0035		TBAP72739		H.P. HOSE 1/4 R1 L=270 0-90° 1/4 F	1,00		02/2003	--
0035		TBAP72739		H.P. HOSE 1/4 R1 L=270 0-90° 1/4 F	1,00	05/2004		--
0035		TBAP72739		H.P. HOSE 1/4 R1 L=270 0-90° 1/4 F	2,00	02/2003	05/2004	--



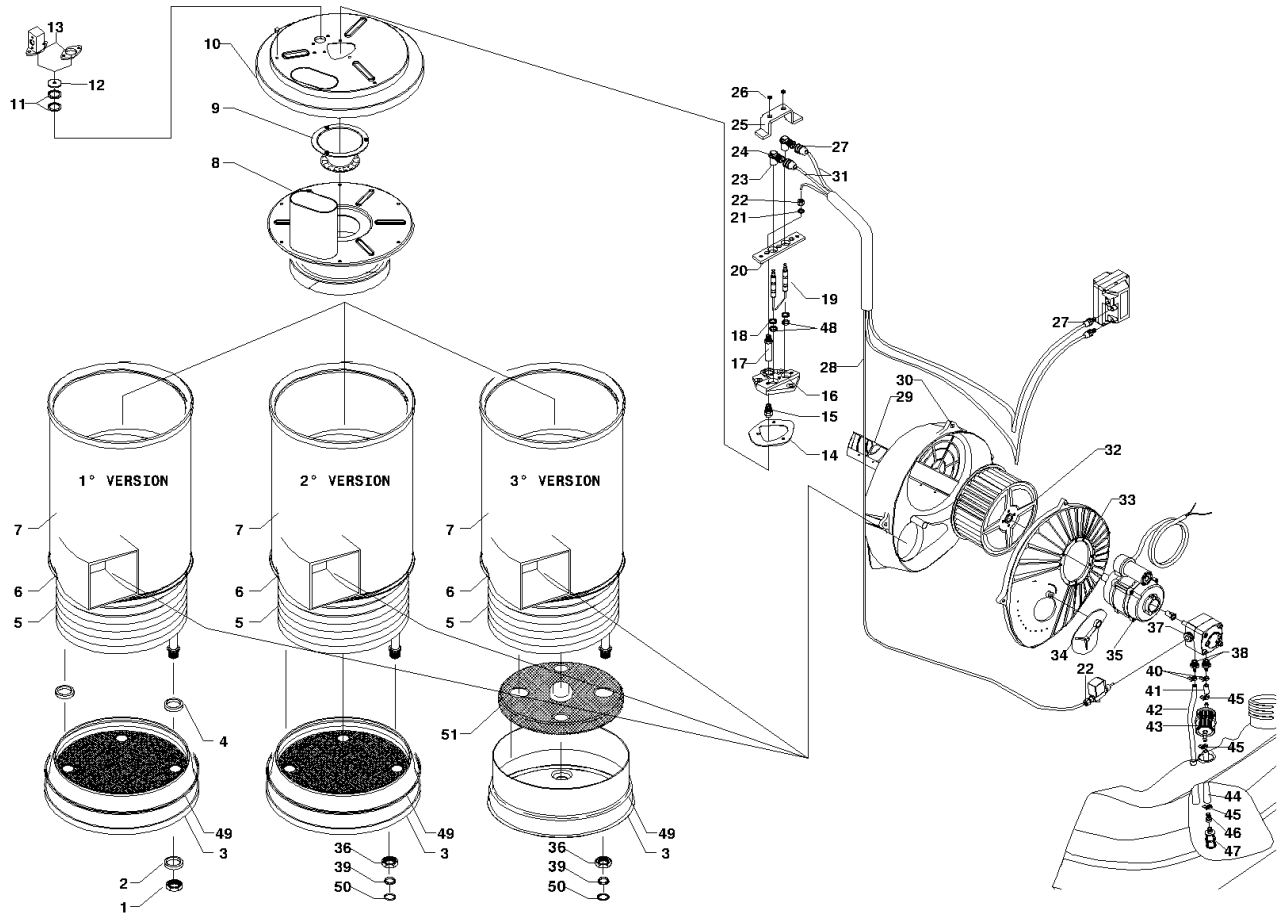
Ref. K	Part N.	Customer Part N.	Description	Qty	Validity:		Price
					From	To	
0036	LAFN48430		SUPPORT MTB BK	1,00	01/2003	03/2003	--
0036	LAFN48672		SUPPORT MTB-M26 BK	1,00	03/2003		--
0036	LAFN73550		PLATE	1,00		01/2003	--
0037	FSVR72800		CLAMP D 8.3 - 8.8	1,00			--
0038	TBBP85832		L.P. HOSE D. 5- 8	1,03			--
0039	FSVR72800		CLAMP D 8.3 - 8.8	2,00			--
0040	FTDT72506		FILTER FGN010/1	1,00			--
0041	TBBP85832		L.P. HOSE D. 5- 8	0,40			--
0042	RCGR40583		DETERGENT TAP	1,00			--
0043	FSVR72803		CLAMP D 9.3 - 9.9	3,00			--
0044	VTDD14407		NUT M 5 INX A2	1,00	07/2004		--
0044	VTDD76273		NUT M5 (002D)	1,00	02/2003	07/2004	--
0045	VTRS03590		WASHER D. 5.3X9X0.6	1,00			--
0046	MPVR40584		KNOB	1,00			--
0047	VTRS26922		WASHER D.14 X 22 X 1.2 SCHNORR	1,00			--
0048	MPVR74070		INSERT	1,00			--
0049	RCDS21119		NUT KSM	1,00	03/2003		--
0050	VTRS01079		WASHER D. 6 GROWER	1,00			--
0051	VVSF72437		PRESSURE VALVE D.1.2	1,00	02/2003		--
0053	RCVR26497		CONNECTOR L 1/8" M C5 D. 6/ 8 NIK	1,00	02/2003	07/2004	--
0054	RCDS21118		CONNECTOR KSM	1,00	03/2003		--
0055	RCVR72828		ELBOW	1,00			--
0056	TBBP72790		L.P. HOSE LG.340	1,00			--
0057	RCDS72900		NIPPLE MB	1,00			--
0058	VTRS76196		GASKET 3/4"	1,00			--
0059	RCDS40575		RING NUT G3/4 OT	1,00			--
0060	FTAC09717		FILTER D.15X37	1,00			--
0061	GUGO40579		GASKET D. 24X 13X 2	1,00			--
0062	RCDS74398		HOSE FITTING D.18	1,00			--
0063	RCVR48395		CONNECTION G. 3/4 ZGR.	1,00			--
0064	RCGR39997		FLOATER MTM 3/4G M 10BAR	1,00			--
0065	VTRS76196		GASKET 3/4"	1,00			--
0066	RCVR76179		HOSE FITTING 1/8"G D.4	1,00			--
0067	RCVR72853		HOSE FITTING 1/8"G D.6	1,00			--
0068	TBBP85832		L.P. HOSE D. 5- 8	0,07			--
0069	RCVR62671		ELBOW 3/8"-1/4" M A.P. OT-MTM	1,00	10/2003		--
0069	RCVR76213		ELBOW 3/8"-1/4" M A.P. OT-MTM	1,00		10/2003	--
0070	RCDS74105		TUBE H 20	1,00		07/2004	--
0071	GUGO40579		GASKET D. 24X 13X 2	1,00		07/2004	--



Ref.	K	Part N.	Customer Part N.	Description	Qty	Validity:		Price
						From	To	
0072		RCDS40596		BLOCK 3V. 1X1/2F-2X3/8F P.BLB	1,00		12/2002	--
0073		RCDS48158		BLOCK 3VIE 3/8 F/F 1/2F SR.	1,00	12/2002	03/2003	--
0074		VTDD14407		NUT M 5 INX A2	1,00	07/2004		--
0074		VTDD76273		NUT M5 (002D)	1,00		07/2004	--
0075		VTRS03590		WASHER D. 5.3X9X0.6	1,00	02/2003		--
0076		MPVR40584		KNOB	1,00	02/2003		--
0077		VTRS01079		WASHER D. 6 GROWER	1,00	02/2003		--
0078		MPVR74070		INSERT	1,00	02/2003		--
0080		RCDS74105		TUBE H 2O	1,00	07/2004		--
0081		FTAC30214		FILTER D.15X67	1,00	07/2004		--
0082		GUGO40579		GASKET D. 24X 13X 2	1,00	07/2004		--
0083		TBBP88292		L.P. HOSE L=300 3/4F 90° -15X26	1,00	07/2004		--
0084		RCDS03514		HOSE FITTING 3/8 M D. 5- 7	1,00	07/2004		--
0085		VTRS00548		WASHER D.17,5X22X1,5 (3/8)RM	1,00	07/2004		--
0086		RCDS12121		NIPPLE 3/8 - 3/8 SV/CN	1,00	05/2004		--
0087		TBBP87890		L.P. HOSE L= 300 3/8F90°-3/8M 0°	1,00	05/2004		--
0088		RCVR35844		ELBOW 1/4-1/8 M/M NIK	1,00	07/2004		--
0089		TBAP30223		POLYAMIDE HOSE 1/4 L=370 1/4 90° -1/40°	1,00	07/2004		--
0090		RCDS88293		NIPPLE 3/4 - 3/8 CB D. 7.5 OT	1,00	07/2004		--
0091		MNMN49703		PRESSURE GAUGE 0-160 D.50 INOX	1,00	05/2004		--
0091		MNMN72395		PRESSURE GAUGE 0-160 DIAM.50	1,00		05/2004	--
0092		RCVR76217		ELBOW 1/4" M/M A.P. OT.	1,00	07/2004		--
0093		TBAP42069		POLYAMIDE HOSE L=260 1/4-1/4 F-F	1,00	05/2004		--
0094		RCDS14563		NIPPLE 1/4 - 1/8 SV	1,00	07/2004		--
0095		RCDS88294		CAP 1/8 M	1,00	07/2004		--
0096		RCDS39911		CONNECTOR G 1/4M -1/4F 90° OT.	1,00	05/2004		--
0097		VTRS63256		WASHER D.10,3X16X1,5 1/8 RM	1,00	07/2004		--
0097		VTRS63256		WASHER D.10,3X16X1,5 1/8 RM	1,00	07/2004		--

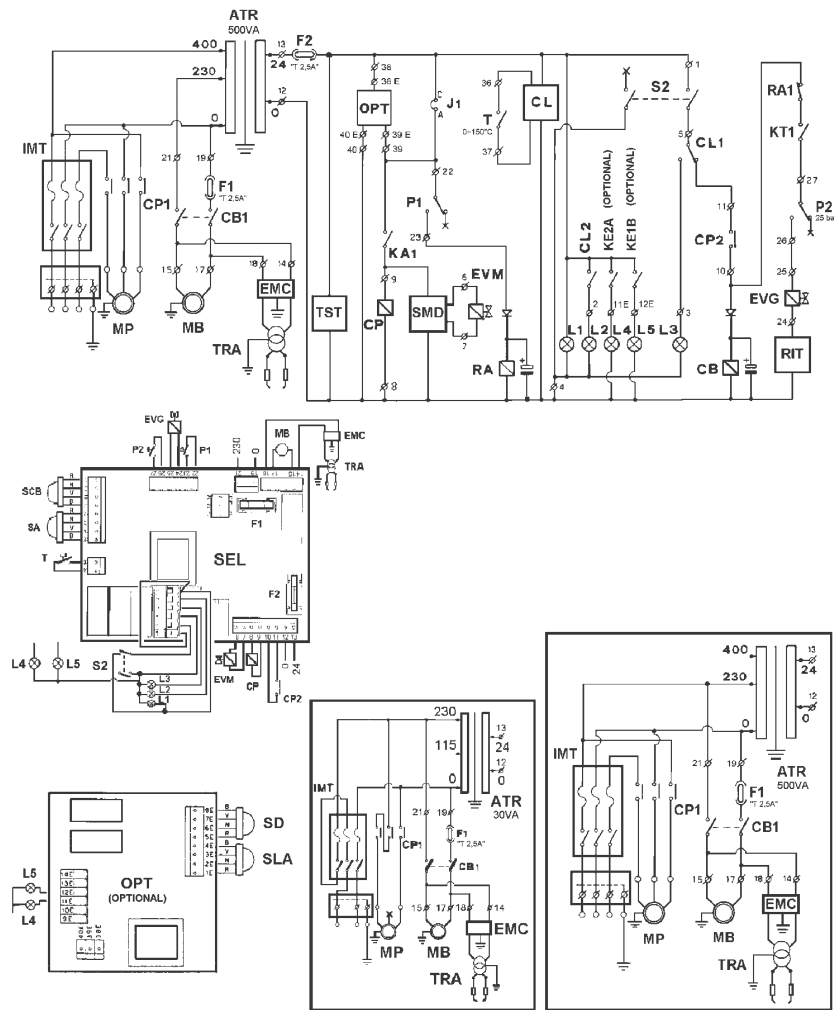


Ref. K	Part N.	Customer Part N.	Description	Qty	Validity:		Price
					From	To	
0001	VTDD74063		NUT 1/2" G	2,00		03/2003	--
0002	VTRS00549		WASHER D.21,5X27X1.5 (1/2) RM	2,00	02/2003	03/2003	--
0002	VTRS01075		WASHER D.21,5X27 ALL	2,00		02/2003	--
0003	LAFN40598		BOILER BOTTOM	1,00		12/2003	--
0003	LAFN49333		BOILER BOTTOM SK-SIR. 2V.	1,00	12/2003		--
0004	GUVR40599		GASKET D. 1/2" -1"	2,00		03/2003	--
0005	LAGR48596		DOUBLE COIL M26X1.5 MBL 27MT GRZ	1,00	03/2003		--
0005	LAFN85402		HEATING COIL 1/2 D.17.2X2.3 TD AQ	1,00		03/2003	--
0006	GUVR40601		GASKET F.VETRO L=940	1,00			--
0007	LAFN49973		BOILER BODY M.BLL	1,00	12/2005		--
0007	LAFN72941		BOILER H.468	1,00		12/2005	--
0008	LAFN40603		BOILER COVER SI	1,00			--
0009	LAFN40604		BAFFLE	1,00			--
0010	LAFN40605		BOILER COVER SE	1,00			--
0011	GUVR40627		GASKET D. 3/4"	2,00			--
0012	MPVR40626		OIL WARN-LIGHT FLOAT SK-MB	1,00			--
0013	MPVR76233		WARN.LIGHT COV.70041	1,00			--
0014	GUVR40624		GASKET	1,00			--
0015	UGBR40840		BURNER NOZZLE 1.50 60 A	1,00	12/2002		--
0016	MFVR40623		ELECTR.HOLDER	1,00	12/2002		--
0017	RCDS40622		NOZZLE HOLDER	1,00	12/2002		--
0018	VTRS48089		WASHER D.13,5X18 X1,5 RM.	2,00	12/2002		--
0019	MECA40621		ELECTRODE	2,00	12/2002		--
0020	LAFN40620		PLATE SK	1,00	12/2002		--
0021	RCVR76263		SPINNER	2,00			--
0022	VTDD40614		NUT G 1/4 D.6 OT.	2,00			--
0023	MPVR40617		PROTECTION	2,00			--
0024	MEVR40616		PIPETTE SK +RST.	2,00			--
0025	LAFN40619		BRACKET SK	1,00			--
0026	MEVR72926		FAIR-LEAD D.13x8x5	2,00			--
0027	MPVR40615		RUBBER	4,00			--
0028	TBCO72518		DIESEL HOSE	1,00			--
0029	MPVR72988		PROTECTION NYL	1,00			--
0030	MPVR40607		SCROLL	1,00		12/2004	--
0030	MPVR88475		SCROLL P245 PA6 BK.	1,00	12/2004		--
0031	MECV01642		CABLE D. 7 S.1	1,40			--
0032	VEVR76220		IMPELLER 146 X 60	1,00			--
0033	MPVR40609		VENTILATOR COV.	1,00			--
0034	MPVR40610		AIR GATE	1,00			--

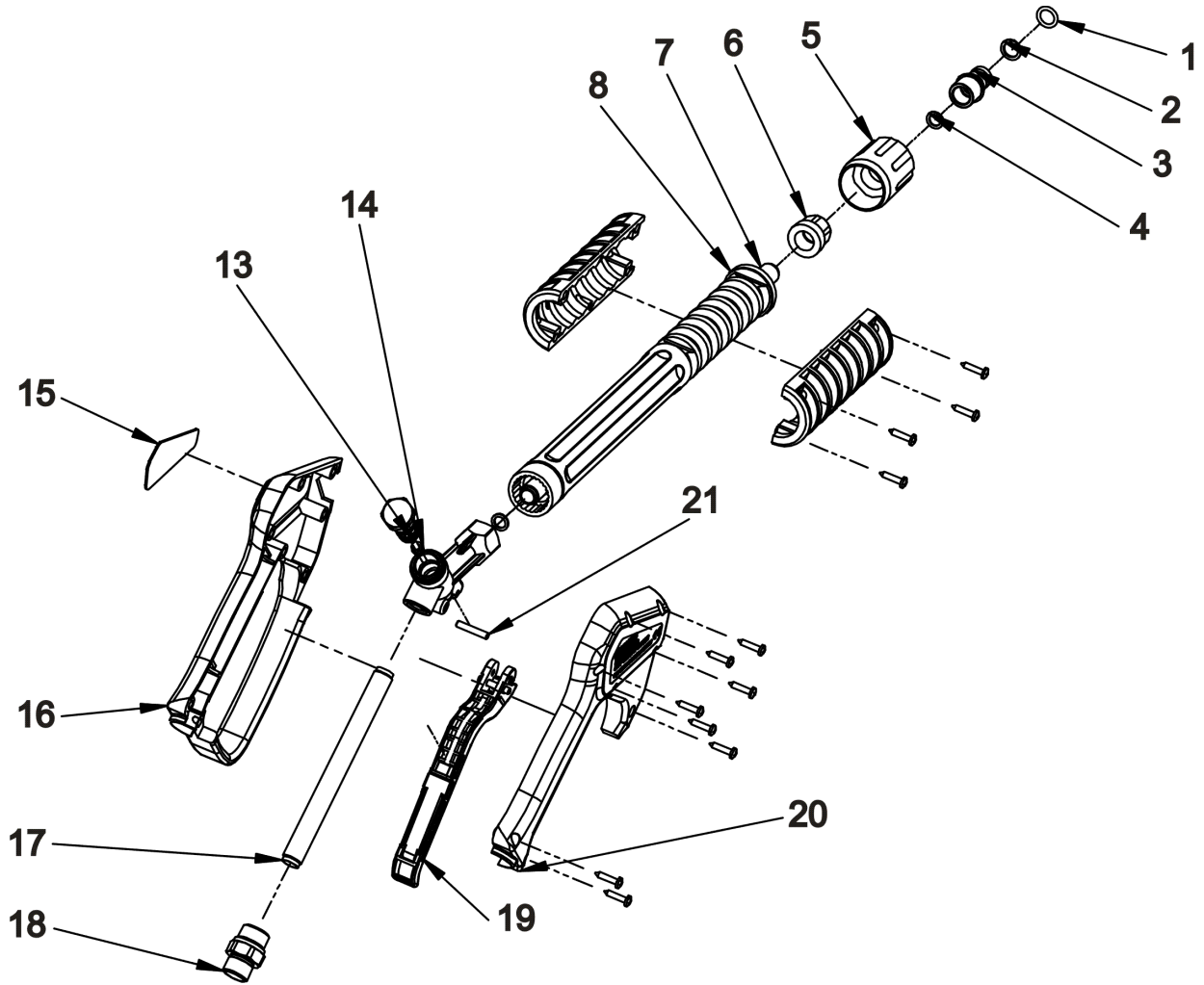


Ref. K	Part N.	Customer Part N.	Description	Qty	Validity:		Price
					From	To	
0035	MOMB40611		BURNER MOTOR 230-50 IP44 150W SIM.	1,00			--
0036	RCDS21120		RING NUT M 26 X 1,5	2,00	03/2003		--
0037	PPGS40612		FUEL PUMP DLT VD1RL24	1,00			--
0038	RCDS72815		HOSE FITTING M1/4 D.6	2,00			--
0039	GUGO21222		O-RING D. 15.54 X 2.62 VIT 80SH	2,00	03/2003		--
0040	FSVR72800		CLAMP D 8.3 - 8.8	2,00			--
0041	TBBP72695		TUBE PVC D. 5 -9 RED	0,35			--
0042	TBBP48098		TUBE PVC D. 5 -9 GREEN	0,50			--
0043	FTCO10912		FILTER FB 13/TA NYL.	1,00			--
0044	TBBP72695		TUBE PVC D. 5 -9 RED	0,30			--
0045	FSVR72803		CLAMP D 9.3 - 9.9	3,00			--
0046	RCDS72815		HOSE FITTING M1/4 D.6	1,00			--
0047	MPVR76409		FILTER	1,00			--
0048	VTRS04931		WASHER COPPER D.13X19X1.5	2,00		12/2002	--
0048	VTRS04931		WASHER COPPER D.13X19X1.5	2,00	12/2002		--
0049	GUGO00409		JOINT 15X3	1,00		06/2003	--
0050	GUVR21021		ANTI-EXTR.RING D. 21 X17 TEF.	2,00	03/2003		--
0051	ITTE49330		BOTTOM SK-SIR. C.TE	1,00	12/2003		--

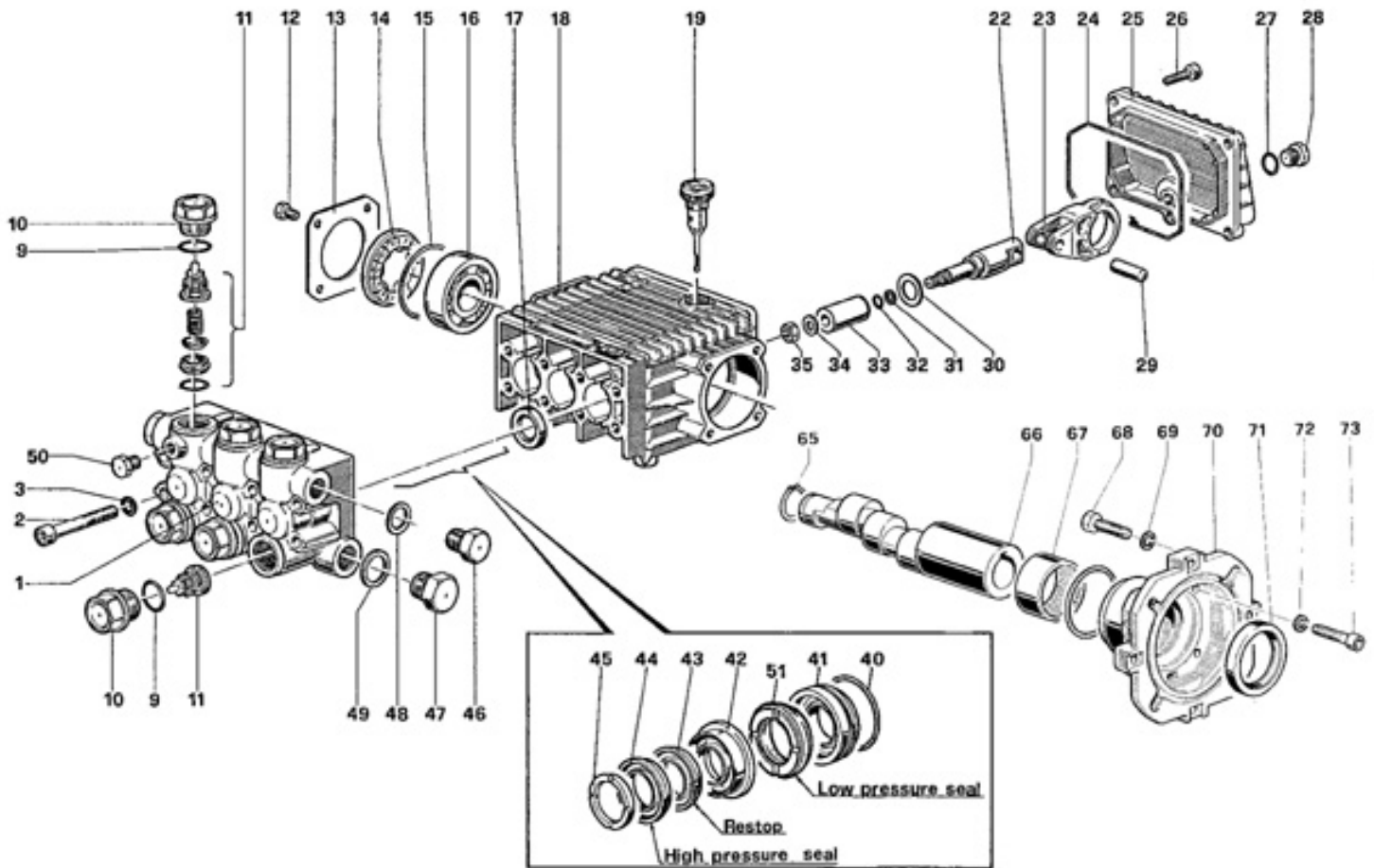




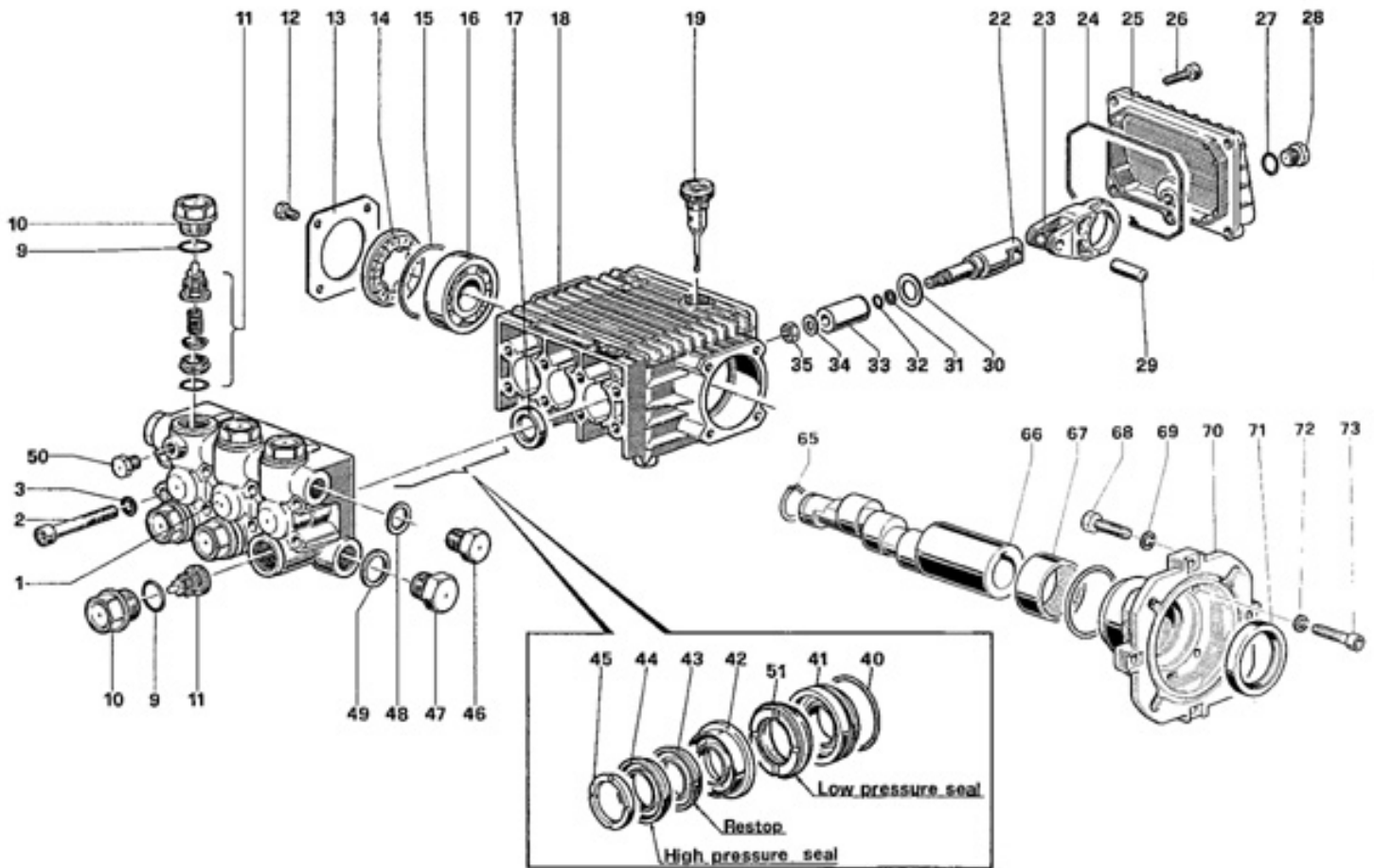
Ref.	K	Part N.	Customer Part N.	Description	Qty	Validity:		Price
						From	To	
T		METK40597		THERMOSTAT 30-150°C TR/741 L=1000	1,00			--
L1		MELF38876		LAMP 24V VRD SLX	1,00			--
P1		MEPF41516		PRESSURE SWITCH PA PR 5	1,00			--
P2		MEPF76254		PRESSURE SWITCH 25 BAR	1,00			--
S2		MECI71700		SWITCH 250V IP55 30x22	1,00			--
SA		MECI85110		SWITCH S1.PML.M16	1,00			--
ATR		METR40631		TRANSFORMER 500VA 400V/24V CE	1,00			--
CP1		METT40633		CONTACTOR CGE CL 02A 310T1 24V 5/60	1,00			--
CV1		MECB47847		CABLE H07 RNF 3X2.5 L=6.000	1,00			--
EMC		MECE34831		FILTER LC F.AH.DA.3100ZF 6.5A	1,00			--
EVG		MEEV76208		SOLENOID VALVE 24V-001	1,00			--
EVM		MEEV40574		SOLENOID VALVE CEME 2V.1/8F 24VDC V1.25	1,00			--
IMT		MECI71654		SWITCH WMX MS 25 16-20 A	1,00			--
SCB		MECI49945		SENSOR LEVEL S1.PML.15NO-FST +G.1/2	1,00	05/2005		--
SCB		MECI85110		SWITCH S1.PML.M16	1,00		04/2005	--
SEL		MECE71636		PCB TST SK-MB CE	1,00			--
TRA		METR40618		TRANSFORMER 230V-50HZ 2X5000V	1,00			--
F1,2		MEVR35744		FUSE 5X20 T 2.5A	2,00			--
L2,3		MELF76275		OIL WARN-LIGHT 24V RS	2,00			--



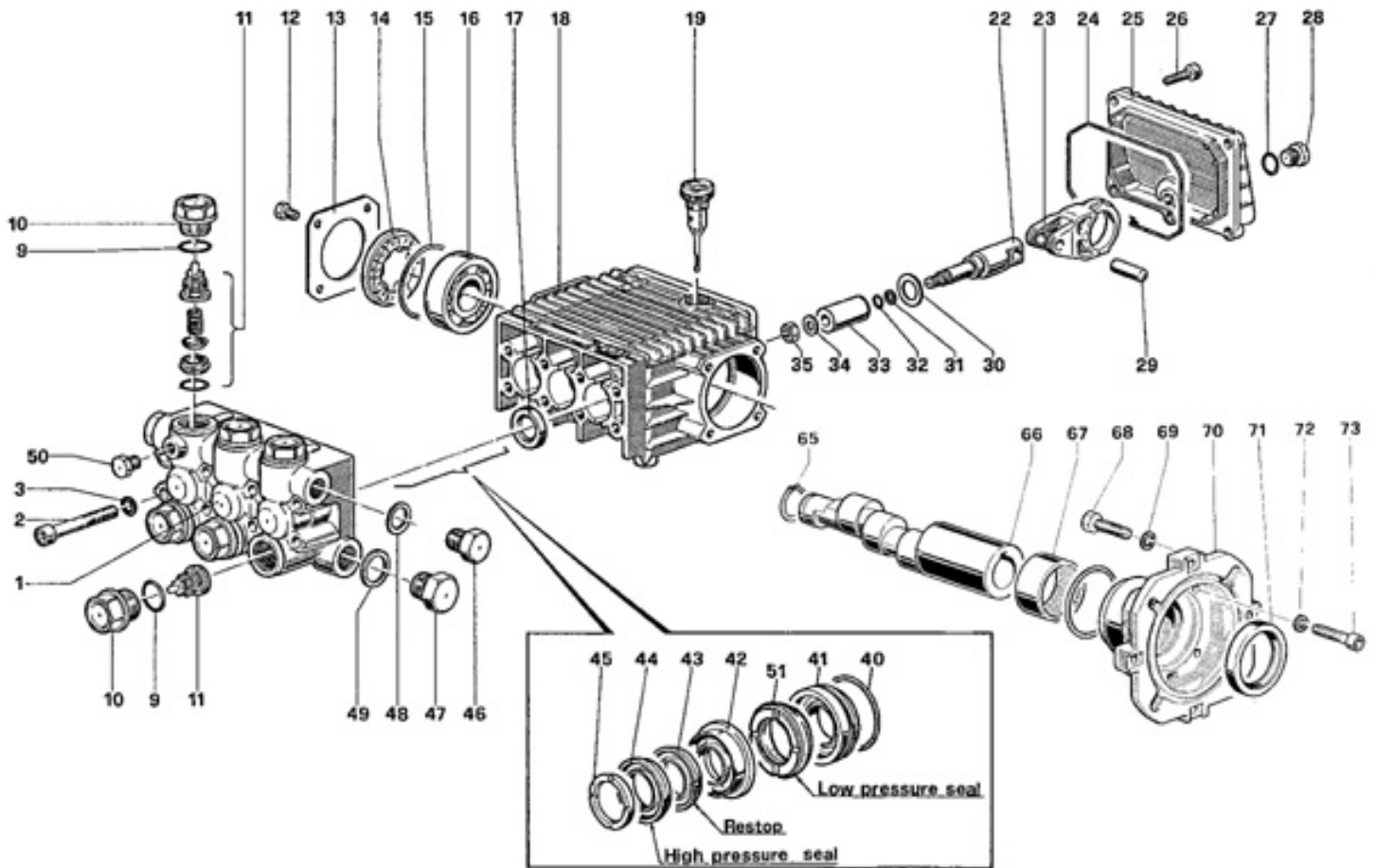
Ref. K	Part N.	Customer Part N.	Description	Qty	Validity:		Price
					From	To	
0001	GUGO10384		O-RING D. 10 X 2.2 VIT 80SH	1,00			--
0002	GUVR10526		ANTI-EXTR.RING D.13.9X10.2 C.BZ	1,00			--
0003	RCVR40008		GUDGEON G 1/4 F ST2300	1,00			--
0004	VTRS04931		WASHER COPPER D.13X19X1.5	1,00			--
0005	PVVR13445		CONNECTION M 22X1,5 L=45	1,00			--
0006	VTDD40001		NUT G 1/4 PLS.	1,00			--
0007	LCPR40004		TUBE 1/4 L=350 ZC.	1,00			--
0008	MPVR46570		PROTECTION P 330 ST	1,00			--
0013	PVVR40030		SMALL PISTON TM ST-2300	1,00			--
0014	PVVR40031		ROD ST-2300	1,00			--
0015	MPVR46569		PLATE G 4500 RD.	1,00			--
0016	MPVR46562		SHELL G 4500	1,00			--
0017	PVVR40022		TUBE G 1/4" M/M	1,00			--
0018	RCDS40005		NIPPLE G 3/8 G 1/4F ST2300	1,00			--
0019	MPVR40057		TRIGGER G 4500 -SW	1,00			--
0020	MPVR46563		COVER G 4500	1,00			--
0021	VTVR46568		PLUG G 4500	1,00			--



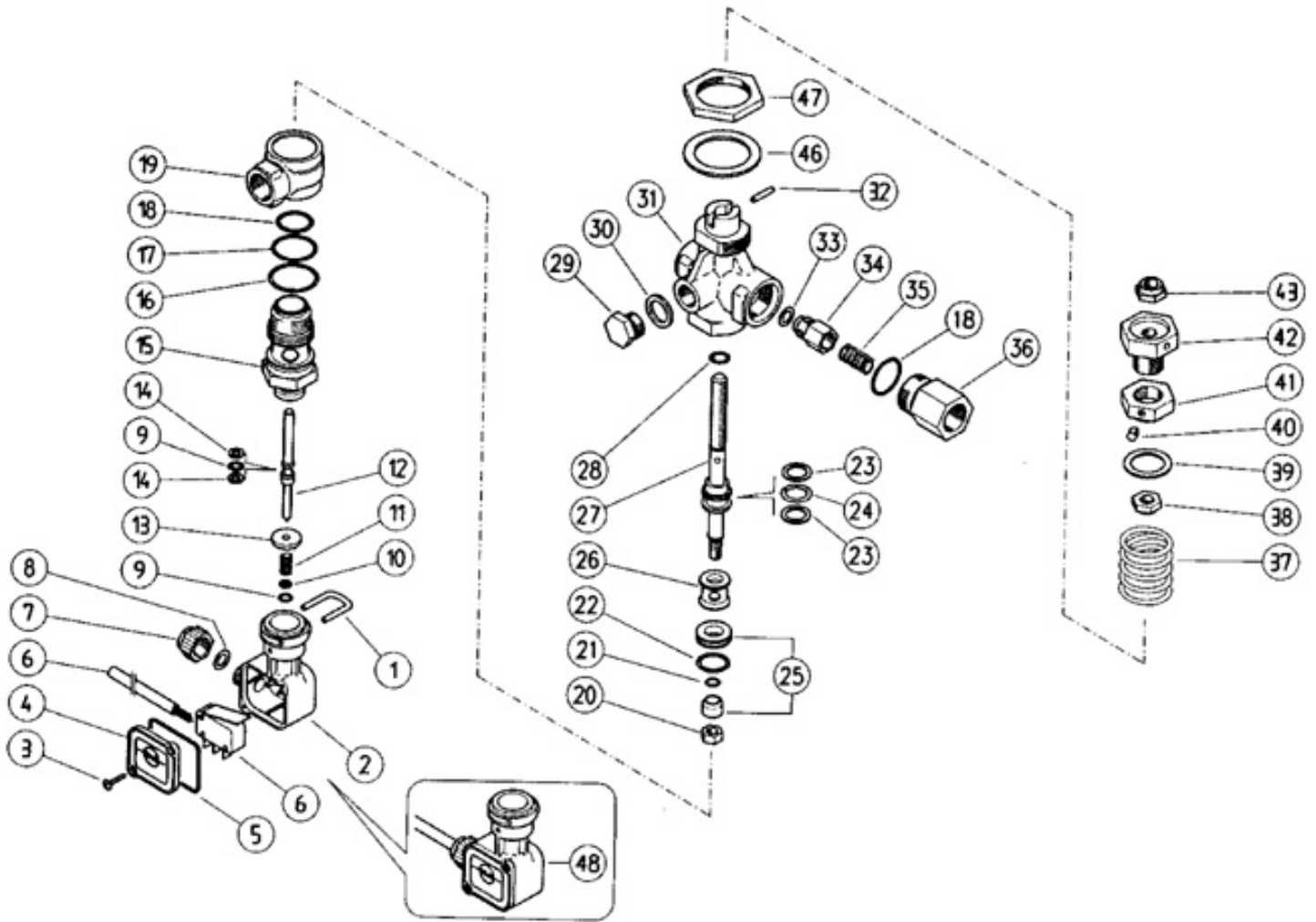
Ref.	K	Part N.	Customer Part N.	Description	Qty	Validity: From To	Price
0001		MFVR35540		HEAD "44" WW D.18 OT	1,00		--
0002		VTVT01121		SCREW TCEI 8X60 UNI5931	8,00		--
0003		VTRS01072		WASHER D. 8 TC	8,00		--
0009	S	GUGO19395		O-RING D. 20.24 X 2.62 NBR 70SH	6,00		--
0010	S	RCDS28466		CAP M24X1.5X17 "44"	6,00		--
0011	S	VVAM28467		VALVE UNIT "44" WW136-186	6,00		--
0012		VTVT01109		SCREW TE M 6X 10 ZC. UNI 5739	4,00		--
0013		MFVR03562		CRANKASE COVER W 70	1,00		--
0014		MFVR28454		SPACER "44"	1,00		--
0015		GUGO01040		O-RING D. 55.56 X 3.53 NBR 70SH	2,00		--
0016		CUVR09654		BALL BEARING 6305	1,00		--
0017	S	GUGO01001		OIL SEAL 20X 30X 5 NBR70	3,00		--
0018		MFVR28453		PUMP CRANKCASE "44"	1,00		--
0019		PVVR01089		OIL DIPSTICK W 70	1,00		--
0022		PVVR28457		PISTON GUIDE "44"	3,00		--
0023		BLVR28459		CONNECTING ROD "44"	3,00		--
0024		GUGO18695		O-RING D. 101.27 X 2.62 NBR 70SH	1,00		--
0025		MFVR28460		CRANKASE COVER "44"	1,00		--
0026		VTVT01114		SCREW TCEI 6X14 UNI 5931	5,00		--
0027		GUGO01036		O-RING D. 10.82 X 1.78 NBR 70SH	1,00		--
0028		RCDS01088		CAP 1/4X 9 M WW90	1,00		--
0029		PVVR28458		GUDGEON D.10X29.5 "44"	3,00		--
0030		VTRS28456		WASHER D.16 X28 X1 PVC	3,00		--
0031		GUVR10257		ANTI-EXTR.RING WW161	3,00		--
0032		GUGO01055		O-RING D. 5.28 X 1.78 VIT 70SH	3,00		--
0033		PIVR28455		PISTON D.18 "44"	3,00		--
0034		VTRS09321		WASHER D. 8X13X1	3,00	07/2002	--
0034		VTRS46027		WASHER D. 8 C/CLL.	3,00	07/2002	--
0035		VTDD04284		NUT M8X1,25 X13X5 S2 INX	3,00		--
0040	S	GUGO01039		O-RING D. 31.47 X 1.78 NBR 70SH	3,00		--
0041	S	PVVR28506		PACKING RETAIN.D. 18 "44"	3,00		--
0042	S	PVVR28504		INTERMED. RING D. 18 "44"	3,00		--
0043	S	GUVR28503		PACKING D. 18 RESTOP	3,00		--
0044	S	GUVR28502		PACKING D. 18	3,00		--
0045	S	PVVR28501		HEAD RING D. 18 "44"	3,00		--
0046		RCDS01090		CAP 3/8X13 M WW90	1,00		--
0047		RCDS01091		CAP 1/2X10 M	1,00		--
0048		VTRS01074		WASHER D.17,05X22,3 X1,5	1,00		--
0049		VTRS01075		WASHER D.21,5X27 ALL	1,00		--



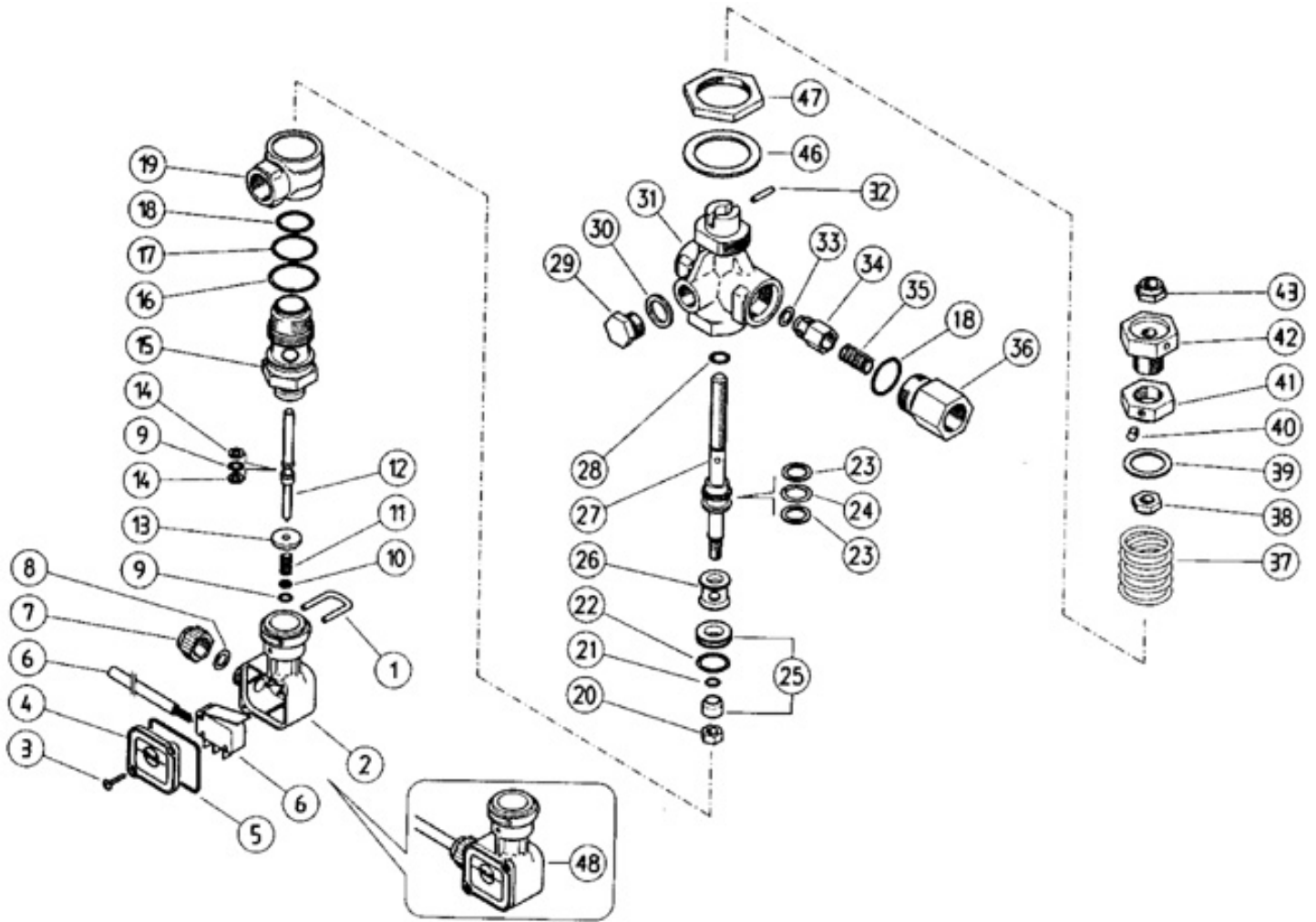
Ref.	K	Part N.	Customer Part N.	Description	Qty	Validity:		Price
						From	To	
0050		RCDS09704		CAP G 1/8 KR	1,00			--
0051	S	GUVR34583		PACKING D. 18 L.P.	3,00			--
0065		VTAE09655		CIRCLIP D. 25 UNI 7435	1,00			--
0066		ALMO41493		SHAFT "44" B C.11 D.28	1,00			--
0067		CUVR41495		ROLLER BEARING DHK 4520	1,00			--
0068		VTVT00447		SCREW TE 8X25 UNI5739	4,00			--
0069		VTRS14242		WASHER D. 8.4X13X0.8 UNI7064 SCH	4,00			--
0070		MFVR41494		FLANGE IP "44" B	1,00			--
0071		GUGO02242		OIL SEAL 45X 62X 8-L.CM-NBR70	1,00			--
0072		VTRS01077		WASHER D. 6,4X10X0,7	4,00			--
0073		VTVT01116		SCREW TCEI 6X30 UNI5931	4,00			--



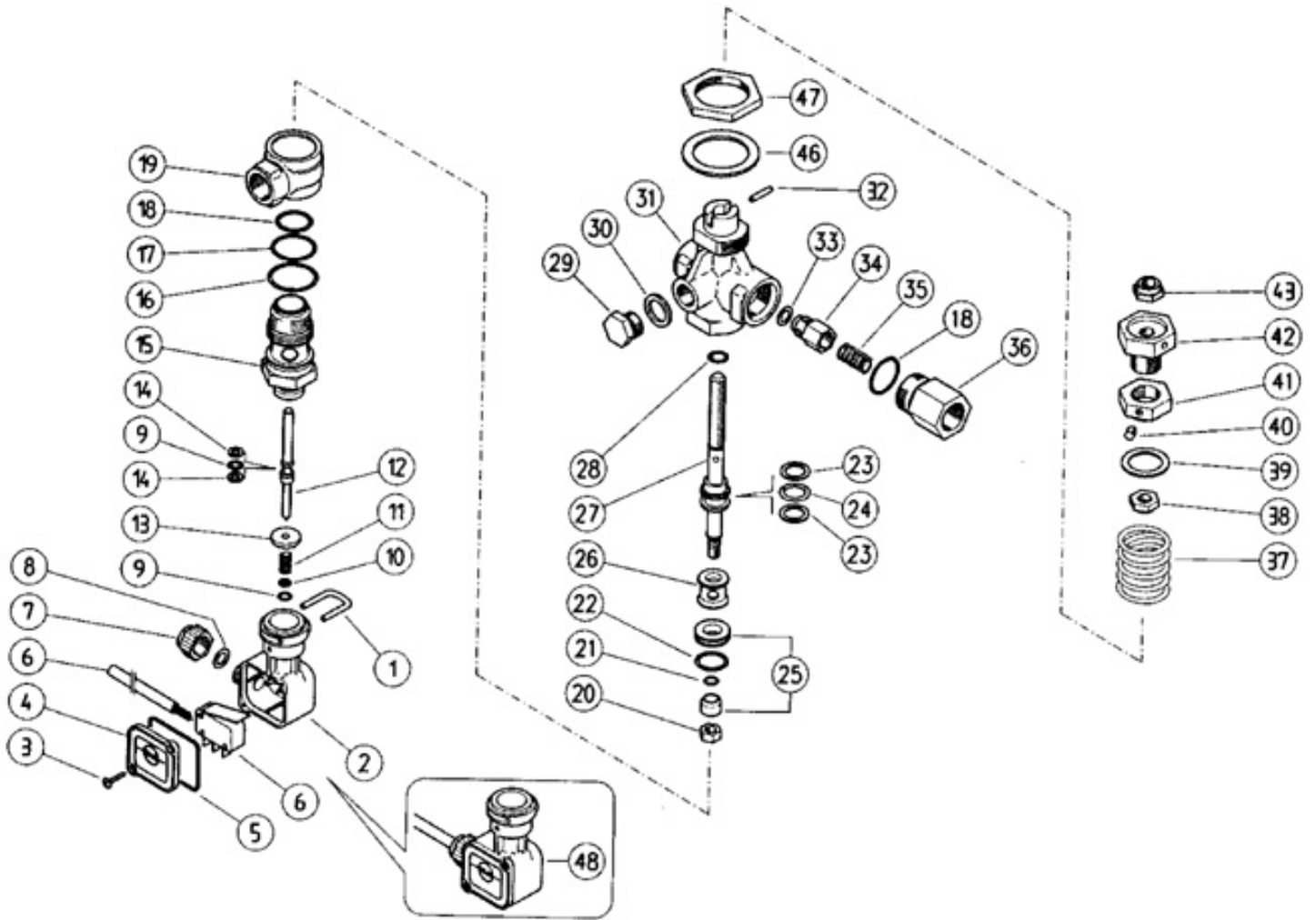
Ref. Part N.	Cust. Part N.	Description	Reference	Price
KTRI18585	KIT P	23	0017	--
KTRI28508	KIT P	15-123	0011	--
KTRI28510	KIT P	15-124	0009 0010	--
KTRI28514	KIT P	15-126	0040 0041	--
KTRI28516	KIT P	127	0043 0044 0051	--
KTRI28518	KIT P	128	0042	--
KTRI28520	KIT P	129	0045	--
KTRI28524	KIT P	131	0040 0041 0042 0043 0044 0045 0051	--



Ref.	K	Part N.	Customer Part N.	Description	Qty	Validity: From To	Price
0001		LAFN41496		PLUG "U" PR5	1,00		--
0002		MPVR41497		SHELL T-STOP PR5	1,00		--
0003		VTVT11286		SCREW 2,2X12	2,00		--
0004		MPVR41498		COVER S.T-STOP PR5	1,00		--
0005	S	GUGO01941		O-RING D. 28.25 X 2.62 NBR 70SH	1,00		--
0006		MECI41499		MICROSWITCH 6A PA	1,00		--
0007		GUGO24916		O-RING D. 6.02 X 2.62 NBR 90SH	1,00		--
0008	S	GUGO24916		O-RING D. 6.02 X 2.62 NBR 90SH	1,00		--
0009	S	GUGO01062		O-RING D. 3.69 X 1.78 NBR 70SH	2,00		--
0010		VTRS17740		WASHER D. 4 X 8	1,00		--
0011		MLML11067		SPRING D. 8 X20 X1.1 INX PR5	1,00		--
0012		RCDS41500		PIN T-STOP PR5-VB9	1,00		--
0013		VTRS05904		WASHER D. 4 X16 2.083	1,00		--
0014	S	GUVR41501		ANTI-EXTR.RING D. 4.2X 7 PA	2,00		--
0015		PVVR41502		CONNECTOR VB 9	1,00		--
0016	S	GUGO19290		O-RING D. 23.52 X 1.78 NBR 70SH	1,00		--
0017	S	GUGO08182		O-RING D. 21.91 X 1.78 NBR 70SH	1,00		--
0018	S	GUGO09699		O-RING D. 18.77 X 1.78 NBR 70SH	2,00		--
0019		PVVR41503		MANIFOLD VB 9	1,00		--
0020		VTDD12323		NUT M 6X1 INOX	1,00		--
0021	S	GUGO02255		O-RING D. 4 X 1 -NBR 70SH	1,00		--
0022	S	GUGO03505		O-RING D. 15.6 X 1.78 NBR 70SH	1,00		--
0023	S	GUVR41504		ANTI-EXTR.RING D.11.4X15.9	2,00		--
0024	S	GUGO11225		O-RING D. 10.78 X 2.62 NBR 70SH	1,00		--
0025	S	PVVR41505		PISTON SEAT VB 9	1,00		--
0026		PVVR41506		SPACER VB 9	1,00		--
0027		PVVR41507		PISTON VB 9	1,00		--
0028	S	GUGO21638		O-RING D. 7.60 X 2.62 NBR 70SH	1,00		--
0029		PVVR06995		CAP G 1/4	1,00		--
0030		PVVR06994		WASHER D. 13.5X19 X1.5	1,00		--
0031		PVVR41508		VALVE BODY VB 9	1,00		--
0032		VTVR06990		PLUG D. 3X14 INX	1,00		--
0033	S	GUGO06824		O-RING D. 6 X 3 NBR 70SH	1,00		--
0034		PVVR29750		PIN VB 7 2V.	1,00		--
0035		MLML29751		SPRING VB 7	1,00		--
0036		PVVR29752		CONNECTOR VB 7 3/8F 2V.	1,00		--
0037		MLML41509		SPRING D. 4,2 VB 9	1,00		--
0038		PVVR41510		RING NUT M 8	1,00		--
0039		VTRS41511		WASHER VB 9	1,00		--

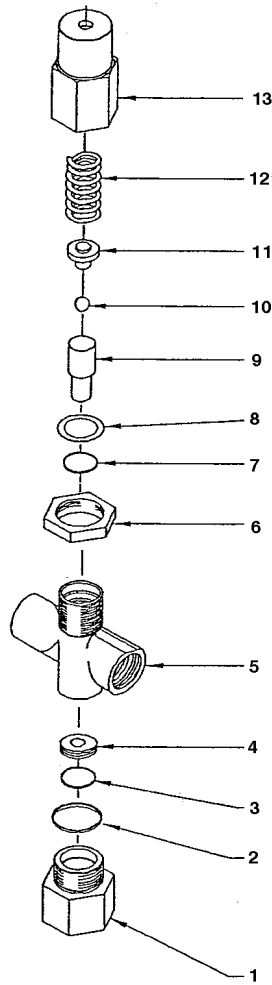


Ref. K	Part N.	Customer Part N.	Description	Qty	Validity:		Price
					From	To	
0040	VTVT08589		SCREW EI-ST 5X 6	1,00			--
0041	PVVR41512		RING NUT VB 9	1,00			--
0042	RCDS41513		NIPPLE VB 9	1,00			--
0043	VTDD07000		NUT M 8	1,00			--
0046	VTRS41514		WASHER D.30	1,00			--
0047	PVVR41515		RING NUT VB 9	1,00			--
0048	MEPF41516		PRESSURE SWITCH PA PR 5	1,00			--



Ref. Part N.	Cust. Part N.	Description	Reference	Price
KTRI41517	KIT P	14- 52	0005 0008 0009 0014 0016 0017 0018 0021 0022 0023 0024 0025 0028 0033	--





Ref. K	Part N.	Customer Part N.	Description	Qty	Validity:		Price
					From	To	
0001	RCVR61105		CONNECTOR VS 220	1,00			--
0002	GUGO03505		O-RING D. 15.6 X 1.78 NBR 70SH	1,00			--
0003	GUGO10800		O-RING D. 10 X 1 NBR 70SH	1,00			--
0004	PVVR61091		VALVE SEAT 4,5X12X4 MM	1,00			--
0005	PVVR61073		VALVE BODY VS 220	1,00			--
0006	VTDD33553		LOCKNUT M 24	1,00			--
0007	GUGO63424		O-RING D. 7.66	1,00			--
0008	GUVR11936		ANTI-EXTR.RING D. 8 X11 PA	1,00			--
0009	PVVR33551		PISTON PA	1,00			--
0010	SFVR61110		BALL VS 220	1,00			--
0011	PVVR61099		SUPPORT VS 220	1,00			--
0012	MLML61052		SPRING 170 B. VS 220	1,00			--
0013	PVVR61080		SLEEVE VS 220	1,00			--